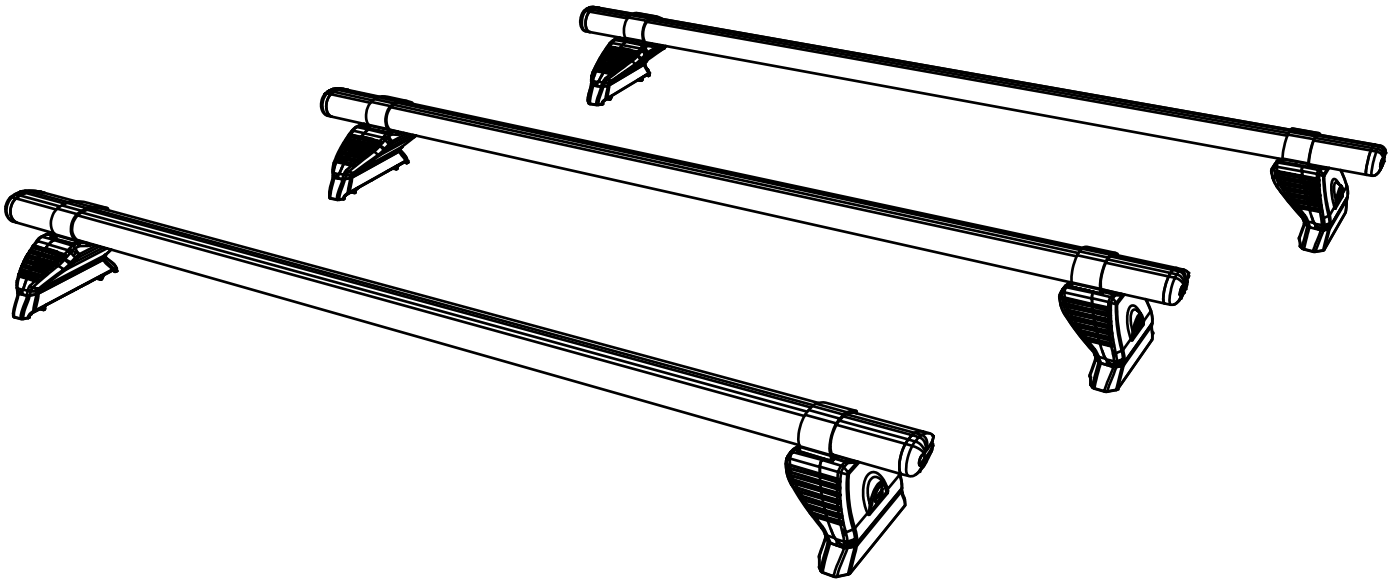


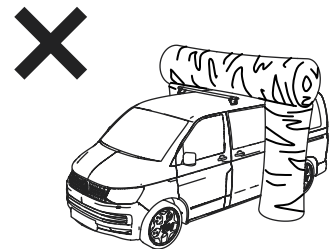
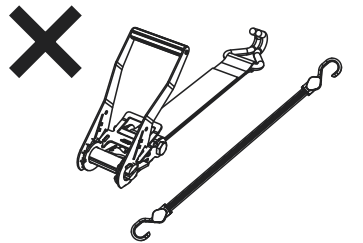
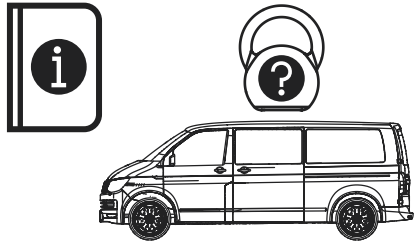
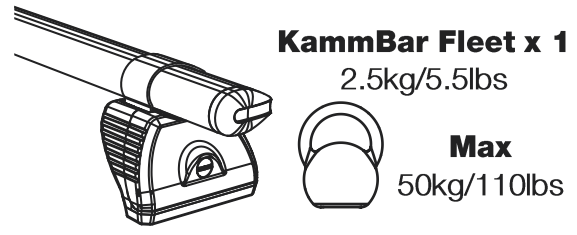
ISSUE:	DRAWN BY:	CHECKED BY:	CRF No:	DATE:	DESCRIPTION:
a	SJ	KB	2758	02/08/22	First Issue
b					
c					
d					
e					
f					
g					
h					
i					
j					
k					
l					
m					

GA3PR/FL KammBar Instructions

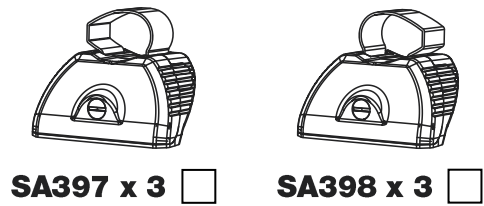
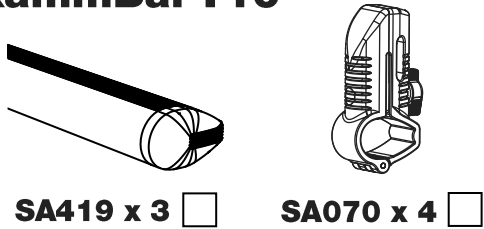


CITY CRASH (✓)

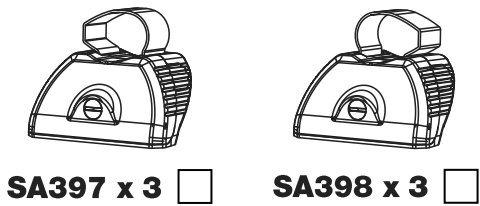
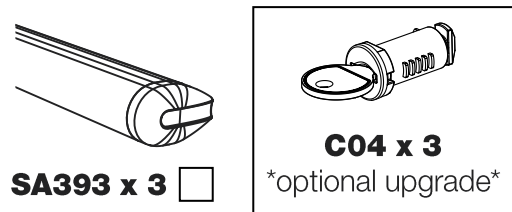
According to ISO/ PAS 11154:2006



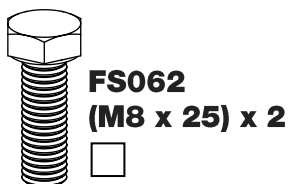
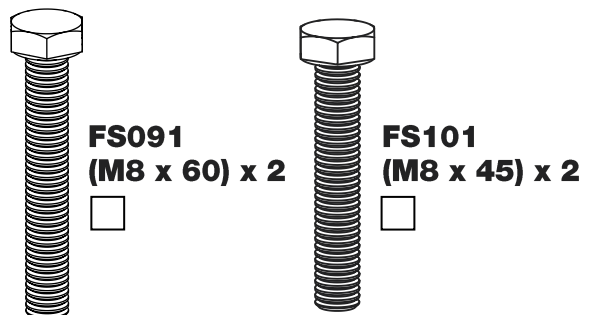
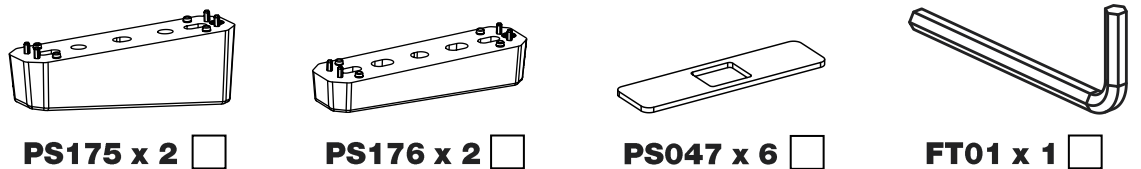
KammBar Pro



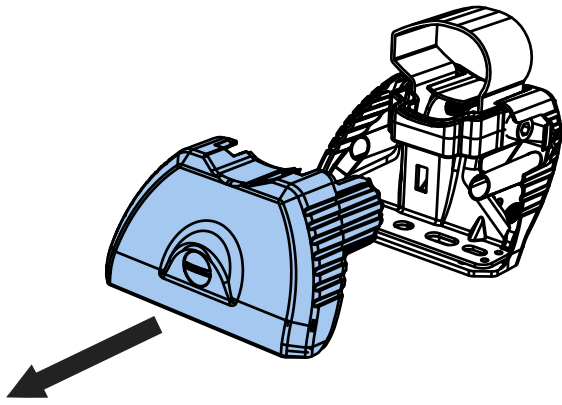
KammBar Fleet



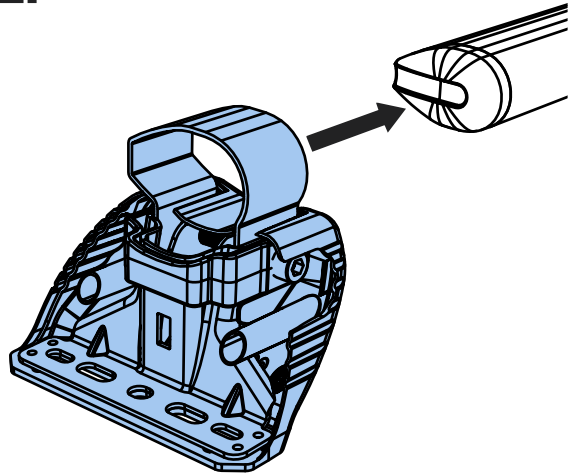
Fitting Kit



1.



2.



3.



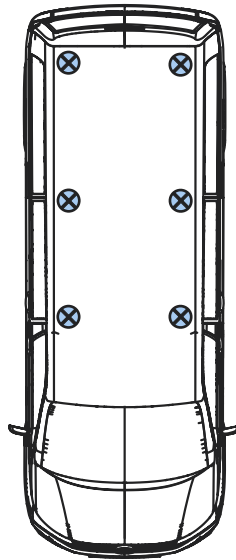
SA397
PS176



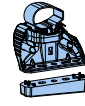
SA397



SA397
PS175



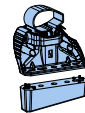
SA398
PS176



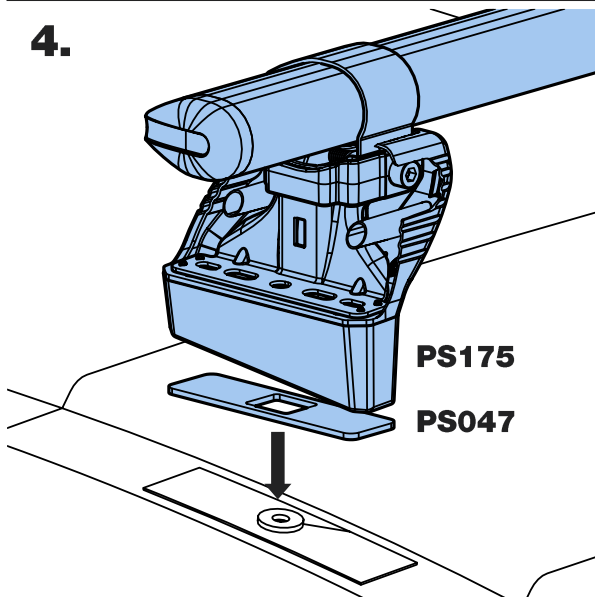
SA398



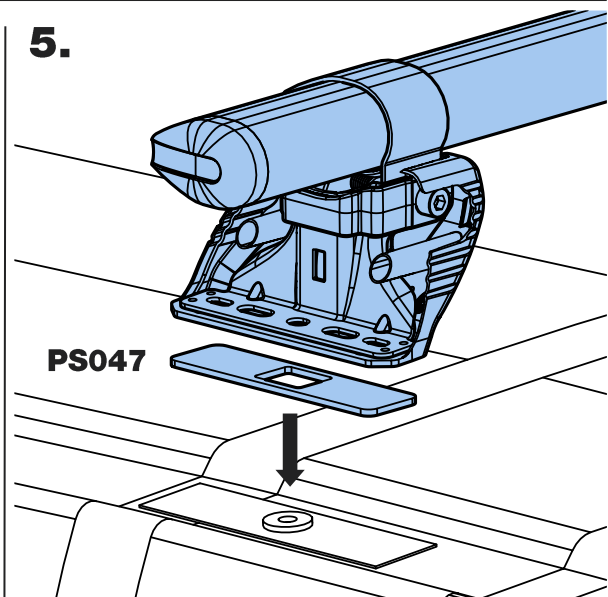
SA398
PS175

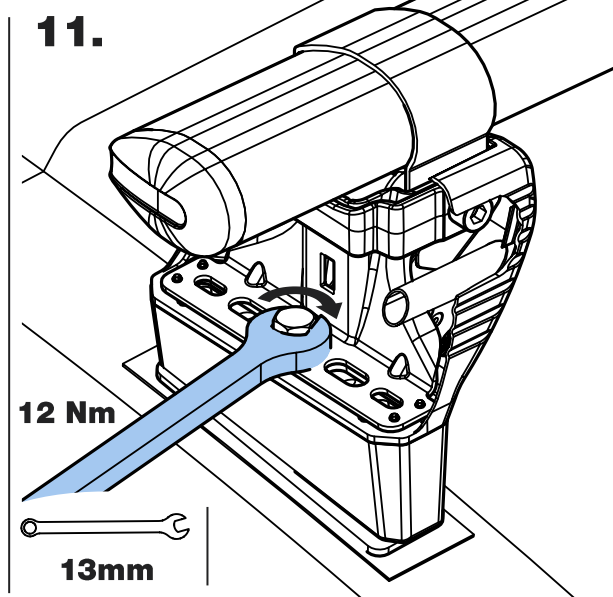
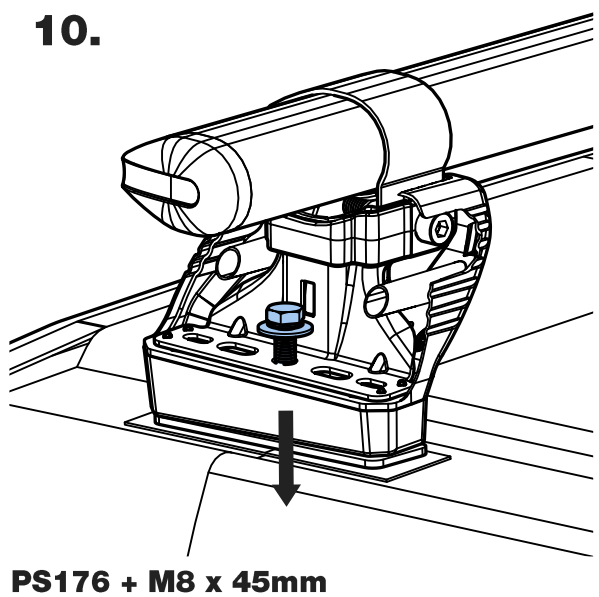
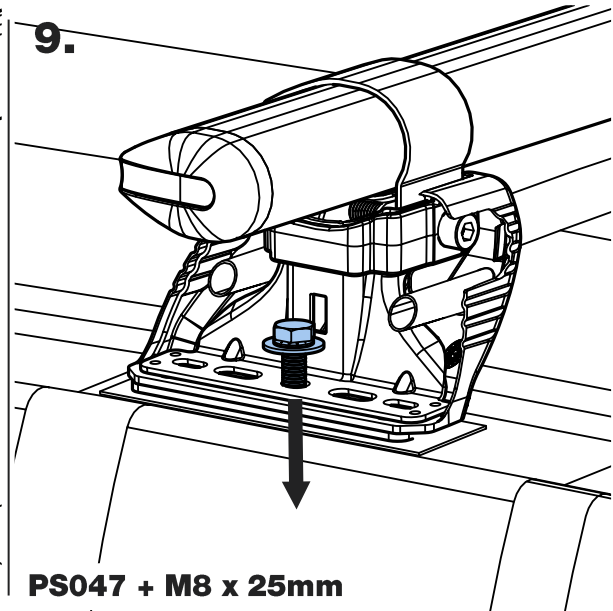
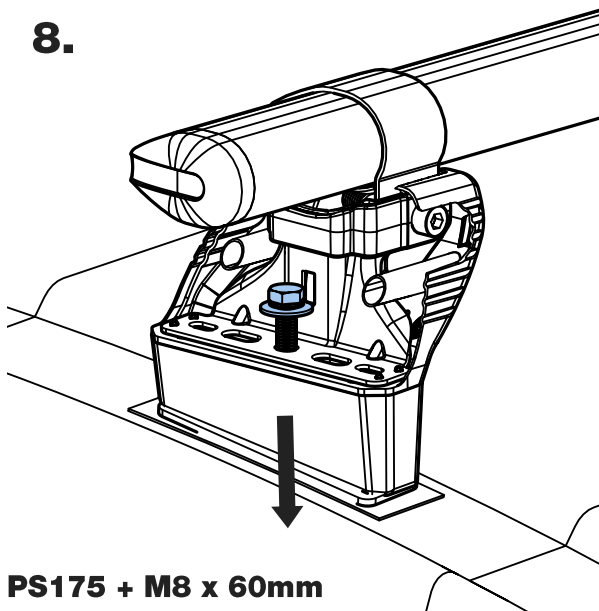
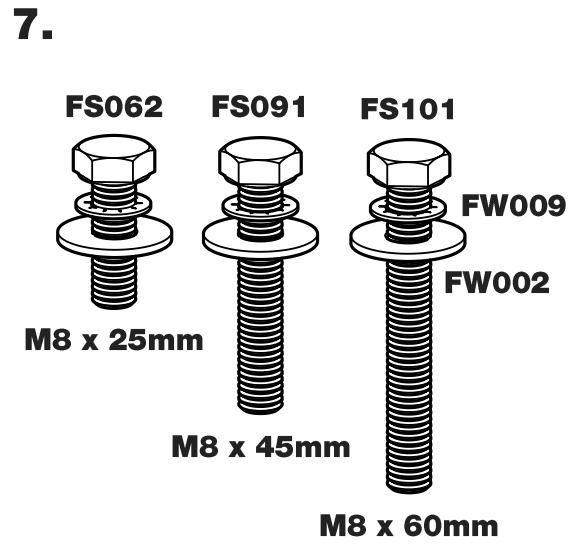
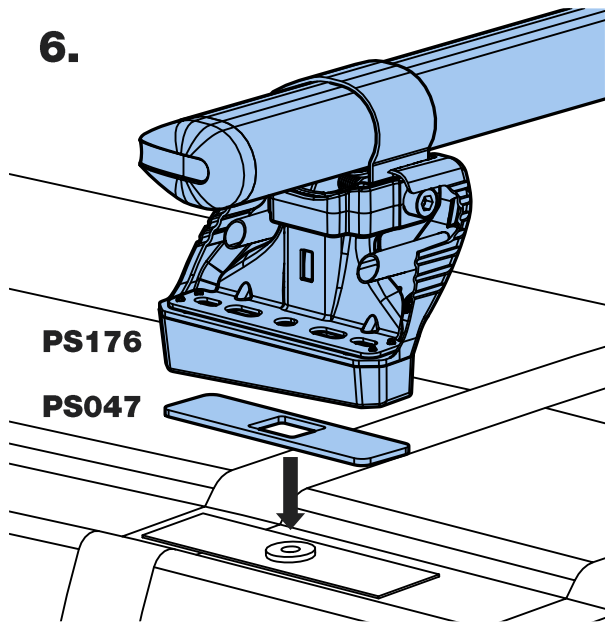


4.

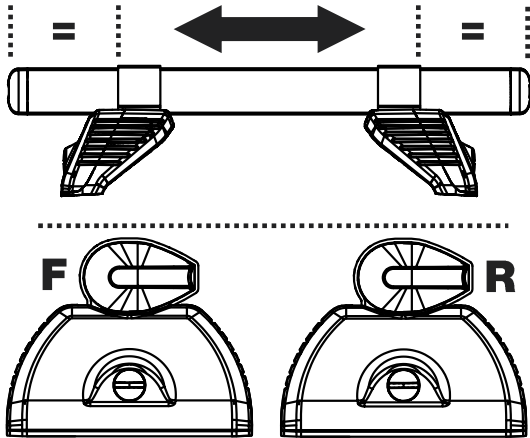


5.

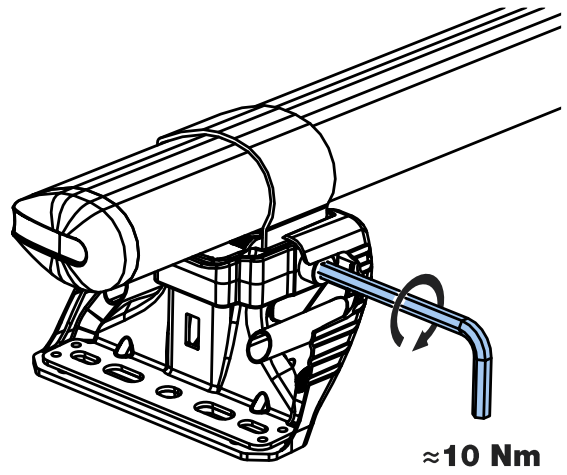




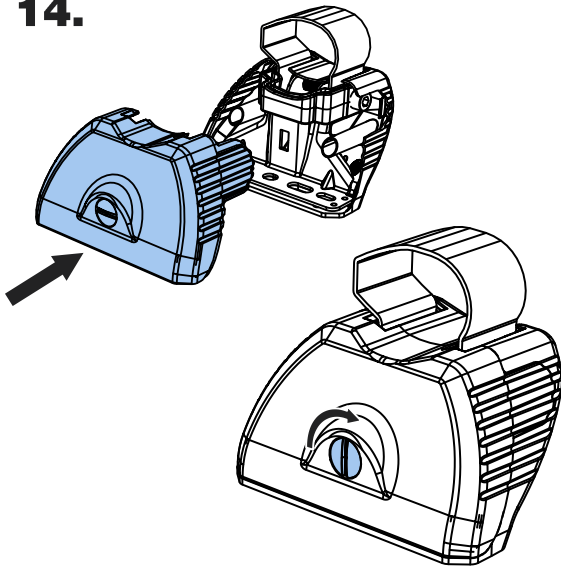
12.



13.



14.



15.

