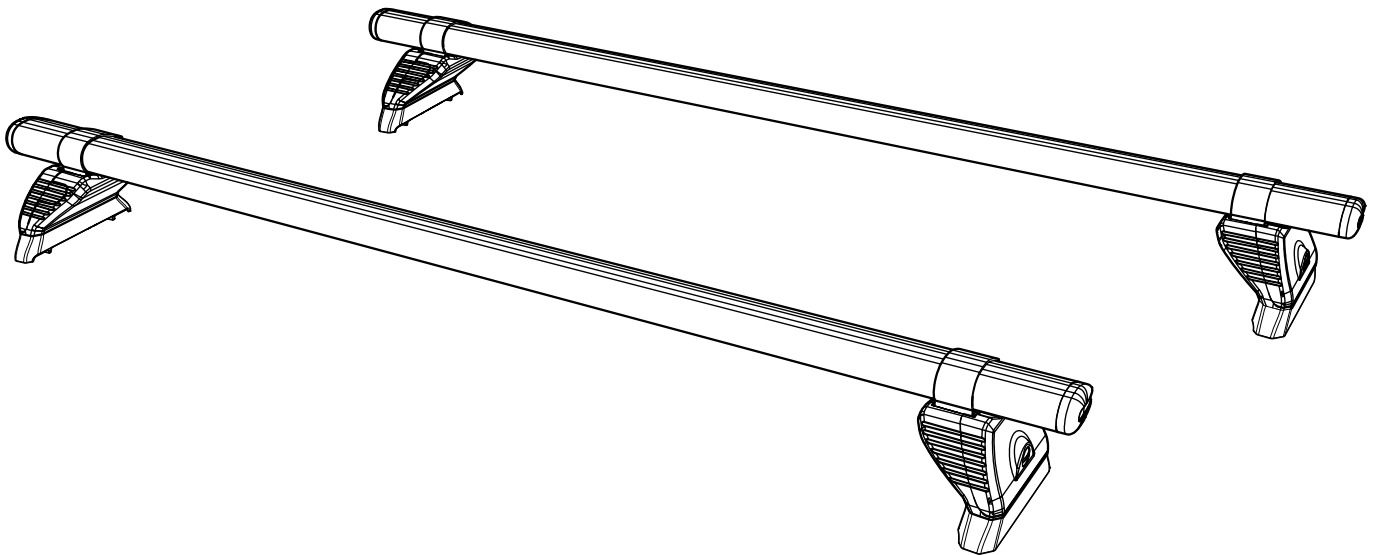


ISSUE:	DRAWN BY:	CHECKED BY:	CRF No:	DATE:	DESCRIPTION:
a	SJ	KB	2758	02/08/22	First Issue
b					
c					
d					
e					
f					
g					
h					
i					
j					
k					
l					
m					

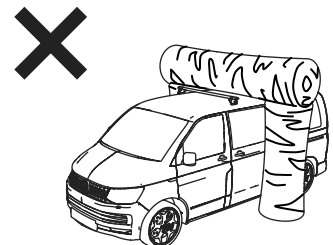
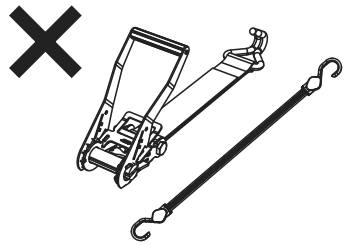
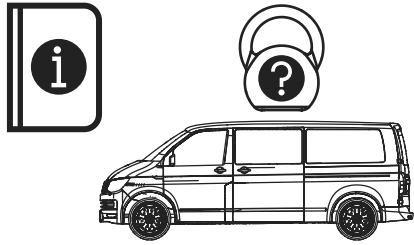
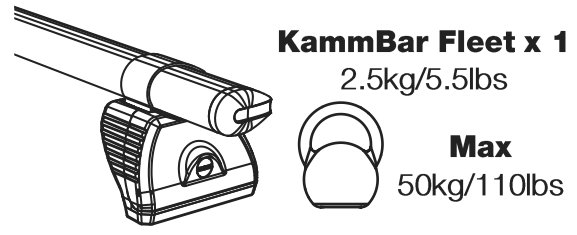
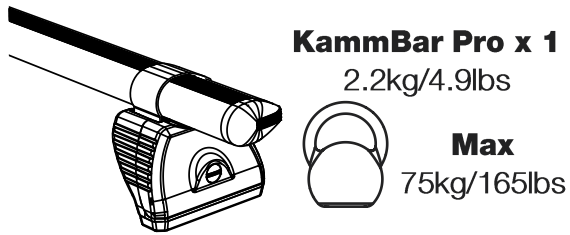
GC2PR/FL KammBar

Instructions

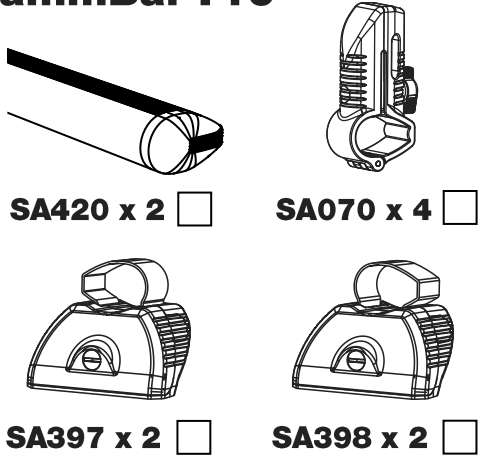


CITY CRASH (✓)

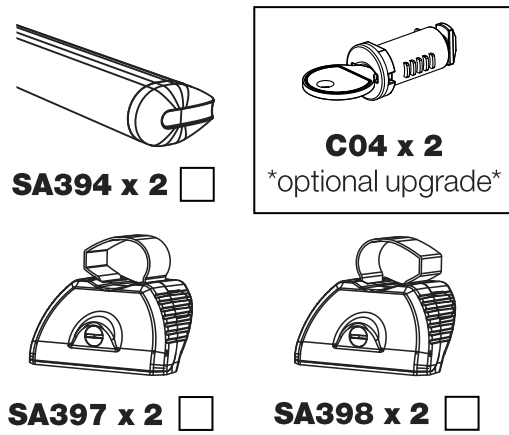
According to ISO/ PAS 11154:2006



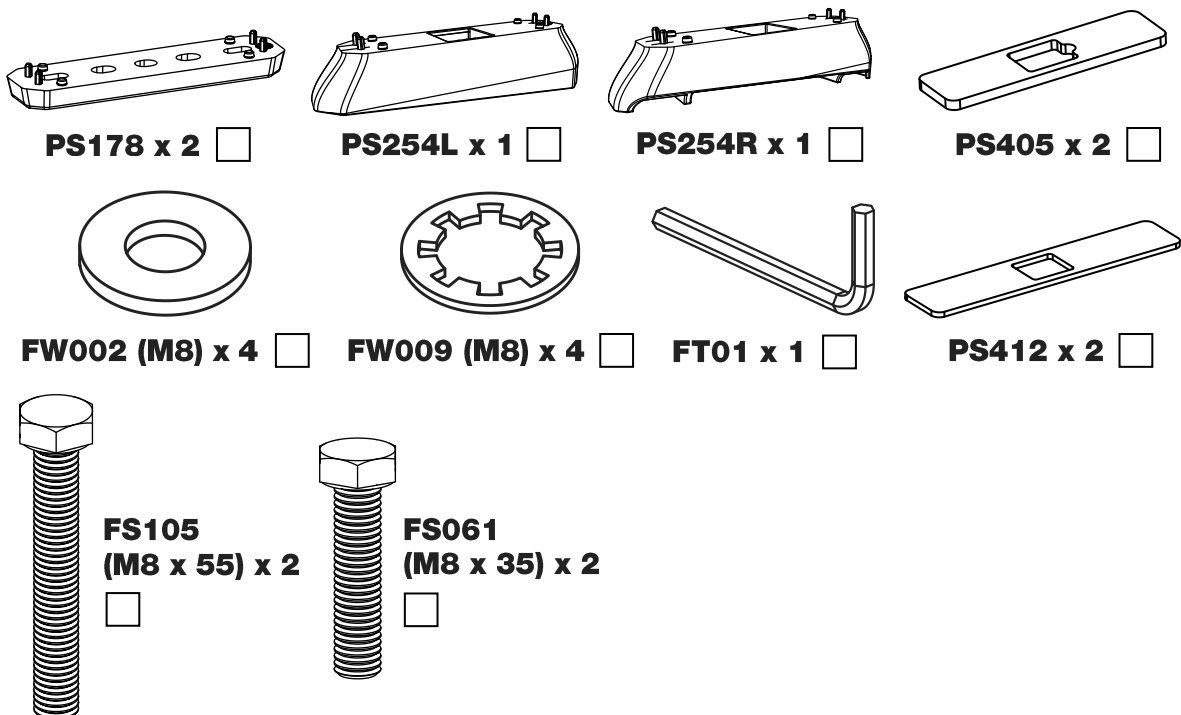
KammBar Pro



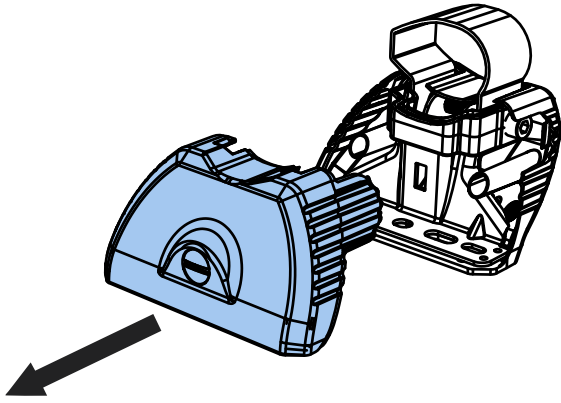
KammBar Fleet



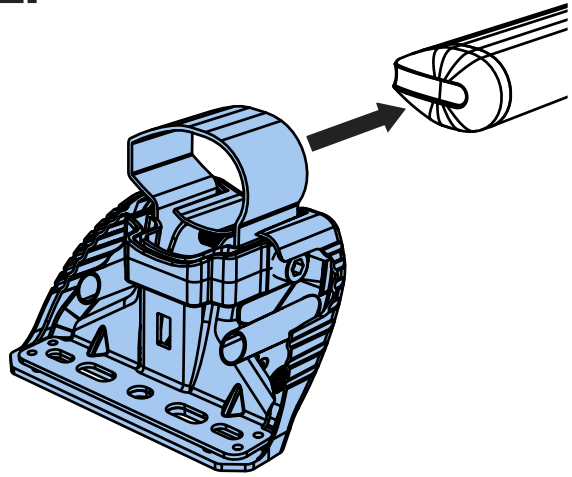
Fitting Kit



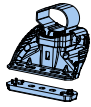
1.



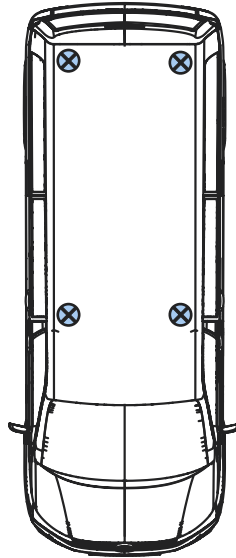
2.



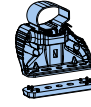
3.



SA397
PS178

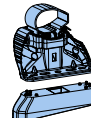


SA398
PS178

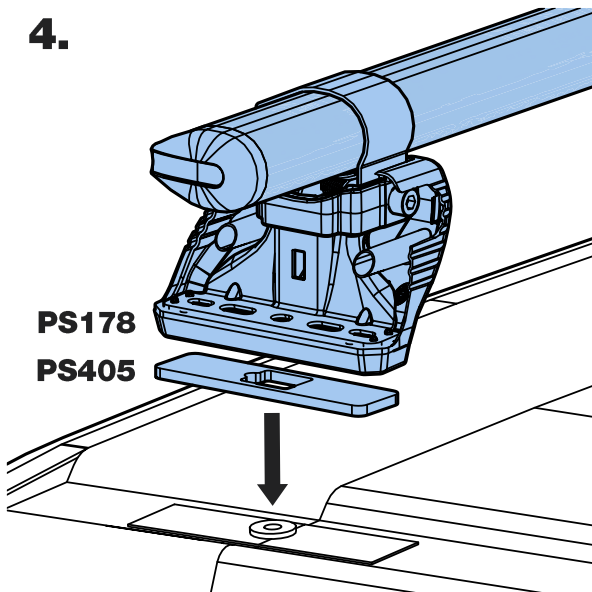


SA397
PS254L

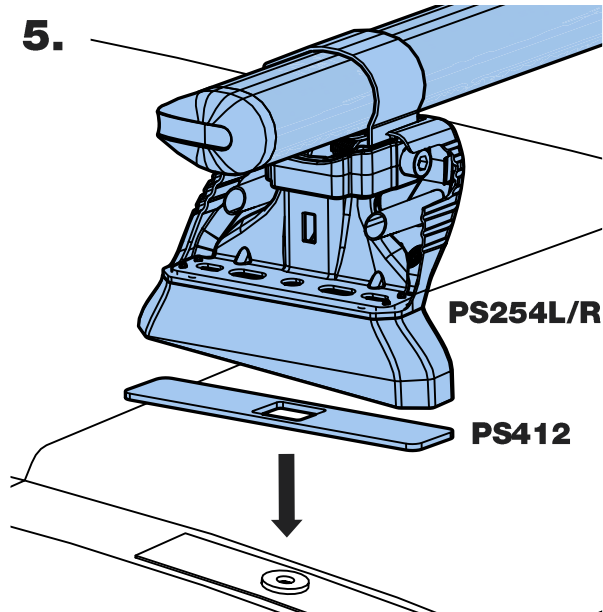
SA398
PS254R



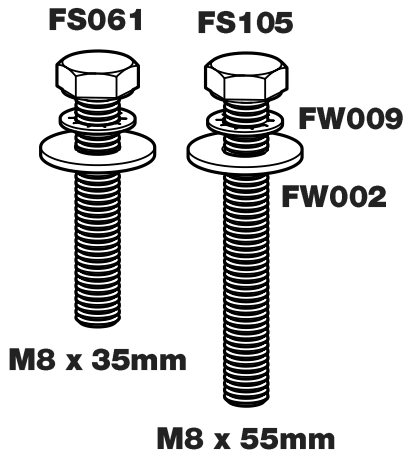
4.



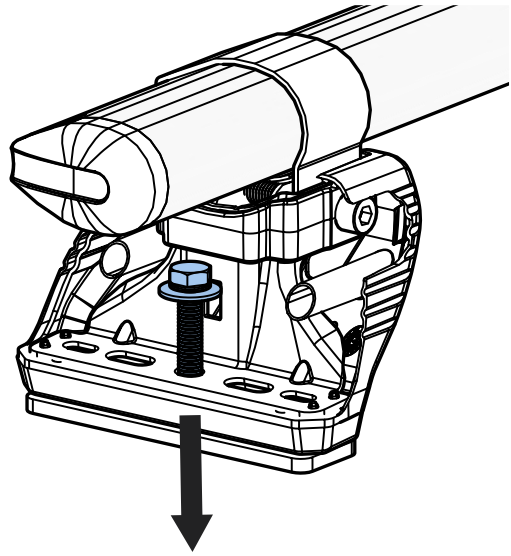
5.



6.

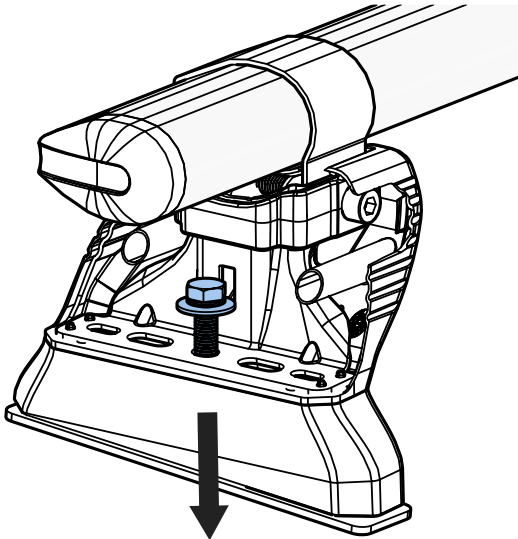


7.



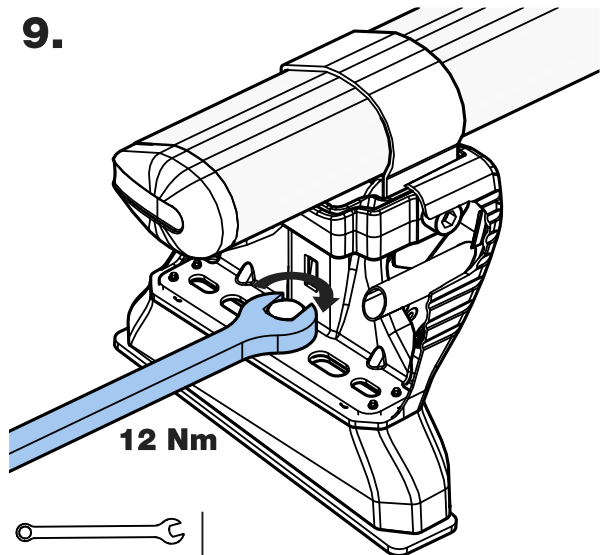
PS178 + M8 x 35mm

8.

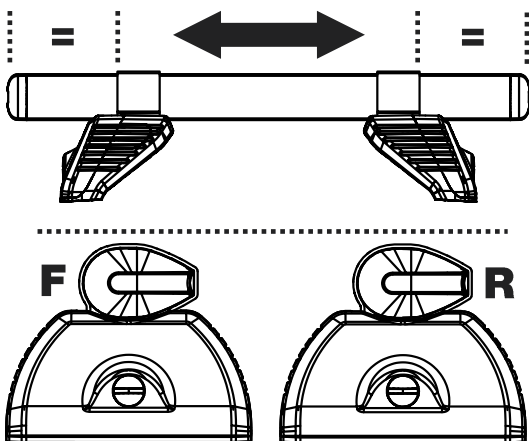


PS254L/R + M8 x 55mm

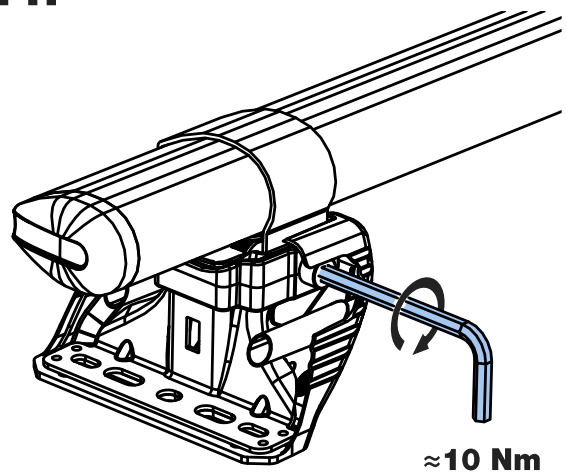
9.



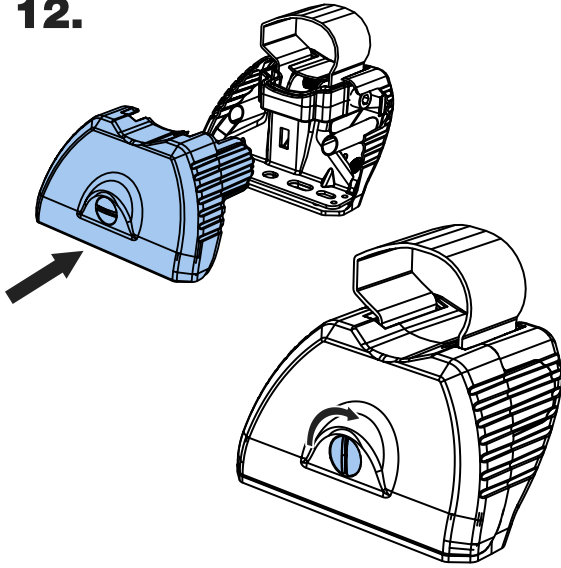
10.



11.



12.



13.

