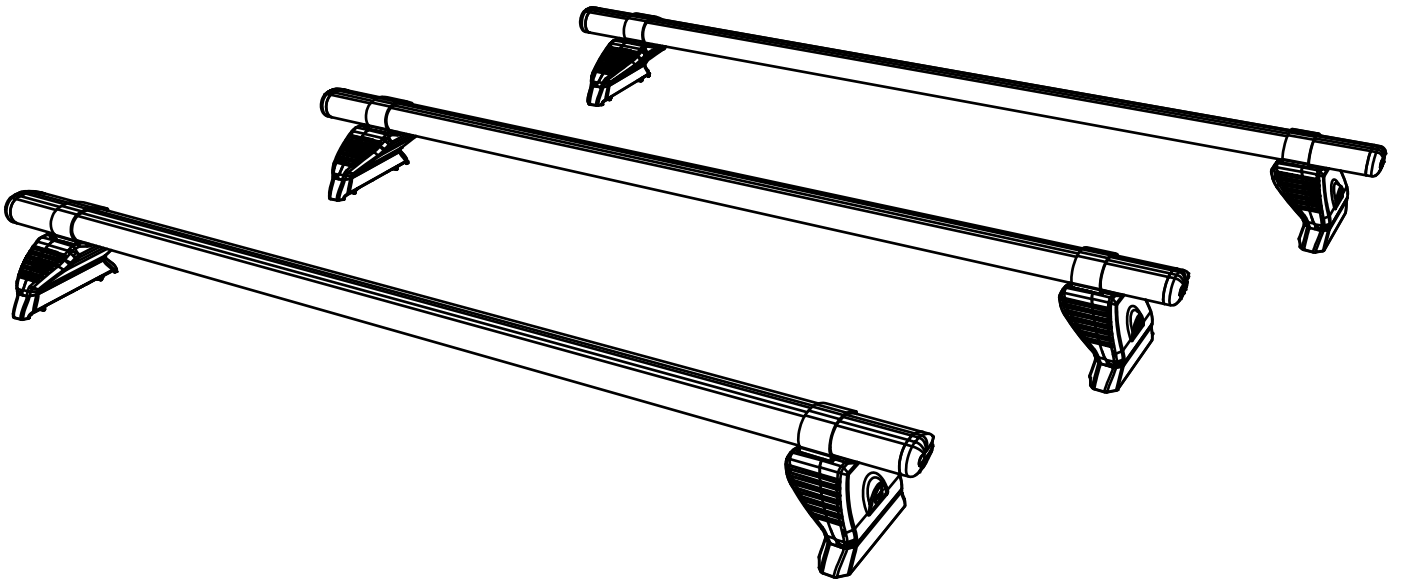


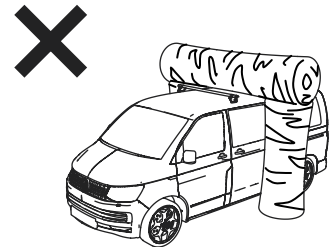
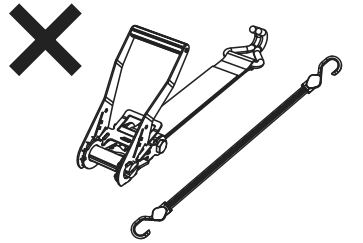
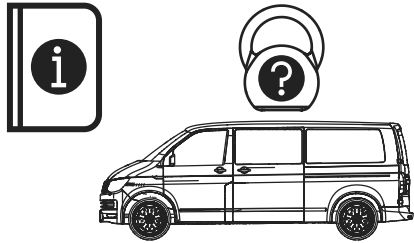
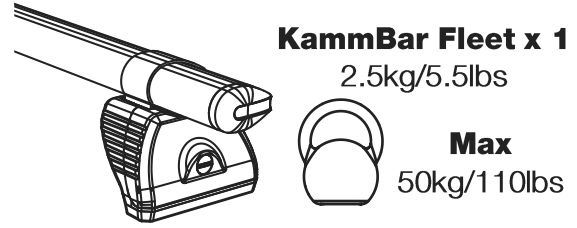
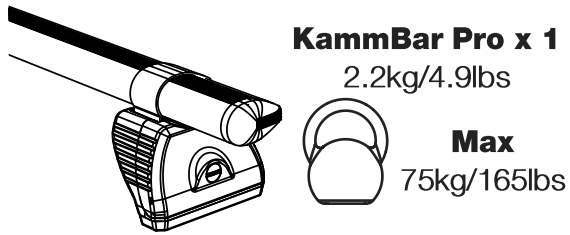
ISSUE:	DRAWN BY:	CHECKED BY:	CRF No:	DATE:	DESCRIPTION:
a	SJ	KB	2758	02/08/22	First Issue
b					
c					
d					
e					
f					
g					
h					
i					
j					
k					
l					
m					

IA3PR/FL KammBar Instructions

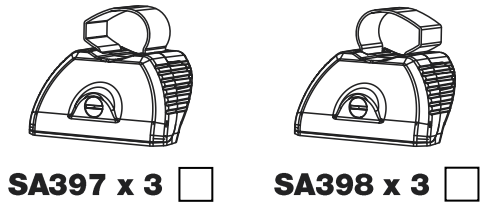
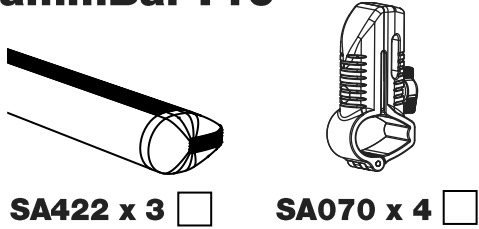


CITY CRASH (✓)

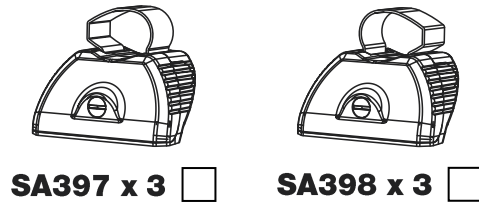
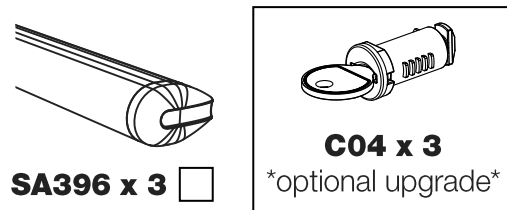
According to ISO/ PAS 11154:2006



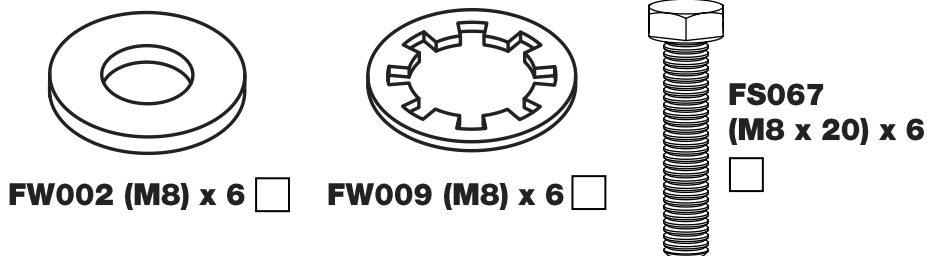
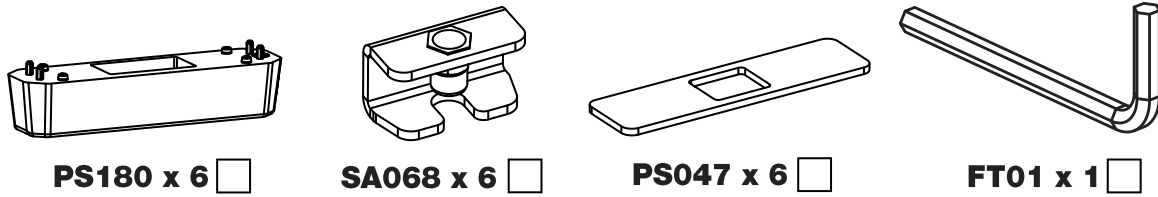
KammBar Pro



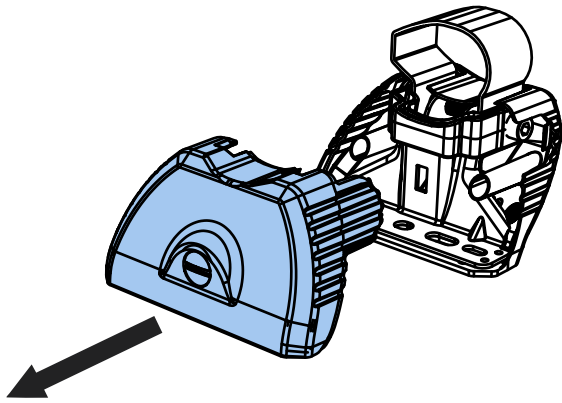
KammBar Fleet



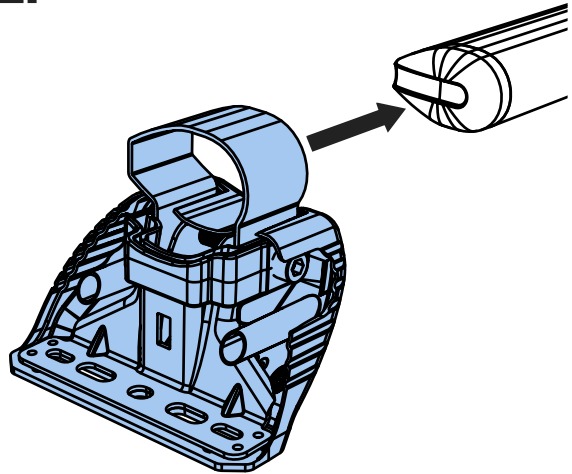
Fitting Kit



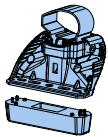
1.



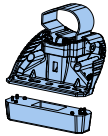
2.



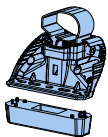
3.



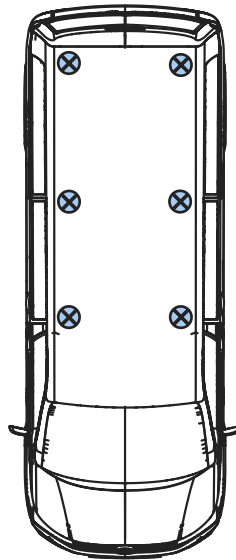
SA397
PS180



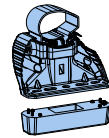
SA397
PS180



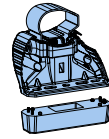
SA397
PS180



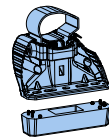
SA398
PS180



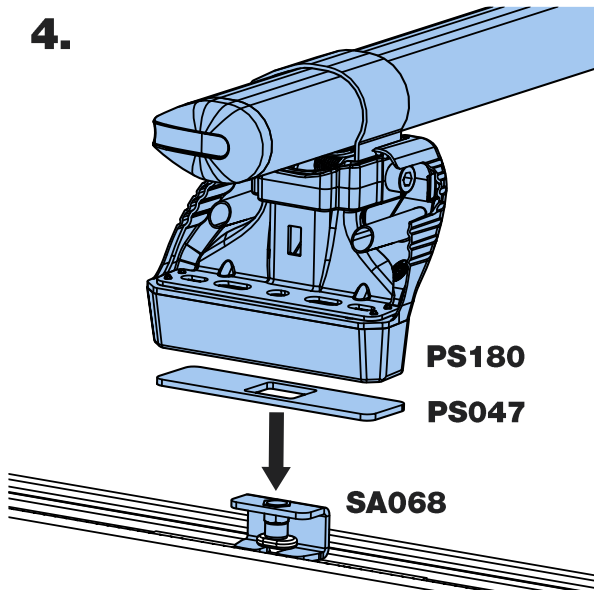
SA398
PS180



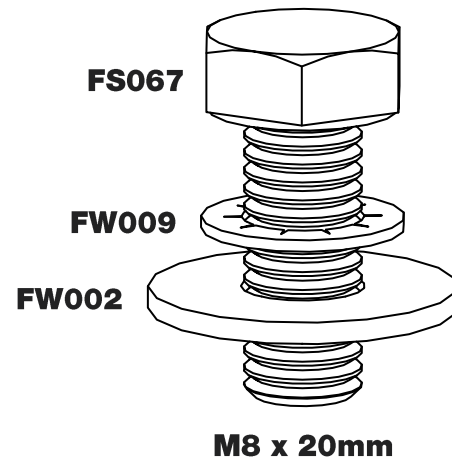
SA398
PS180



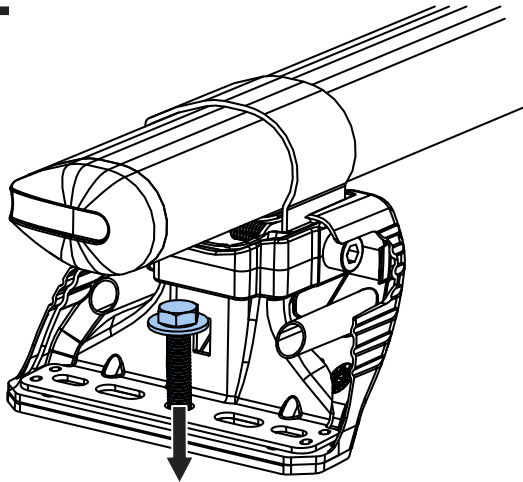
4.



5.

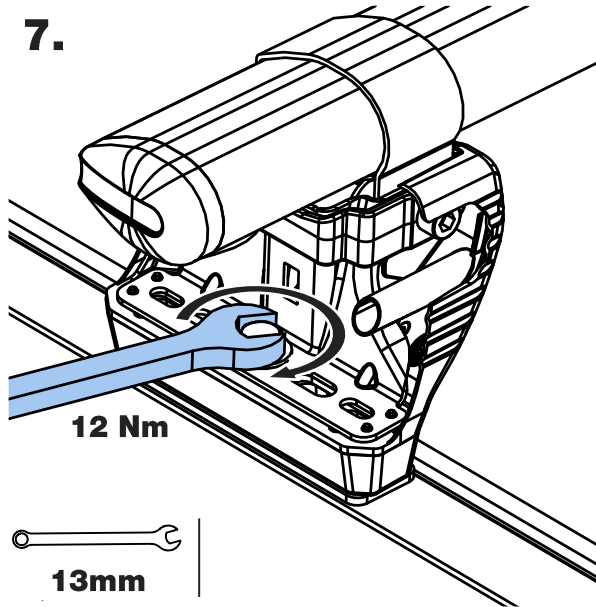


6.



PS180 + M8 x 20mm

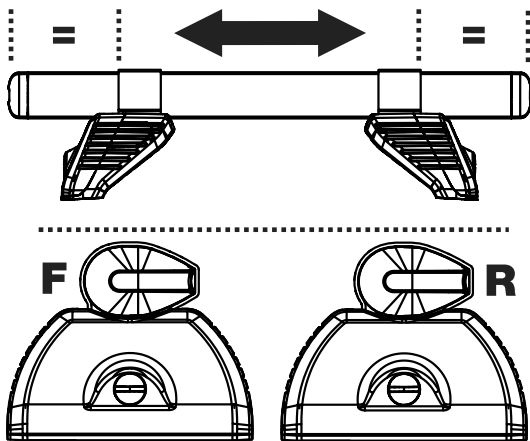
7.



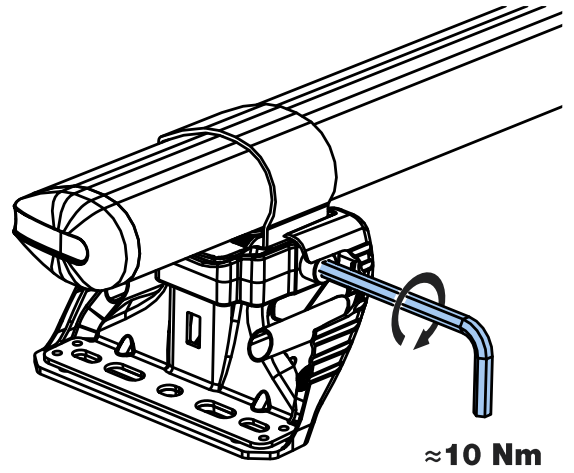
12 Nm

13mm

8.

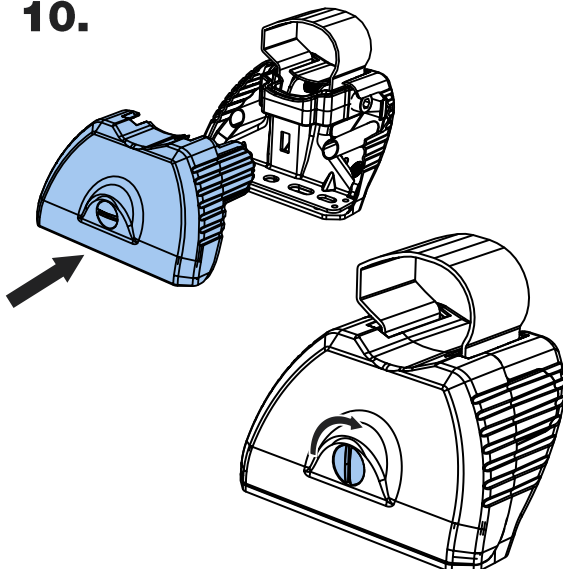


9.



≈10 Nm

10.



11.

