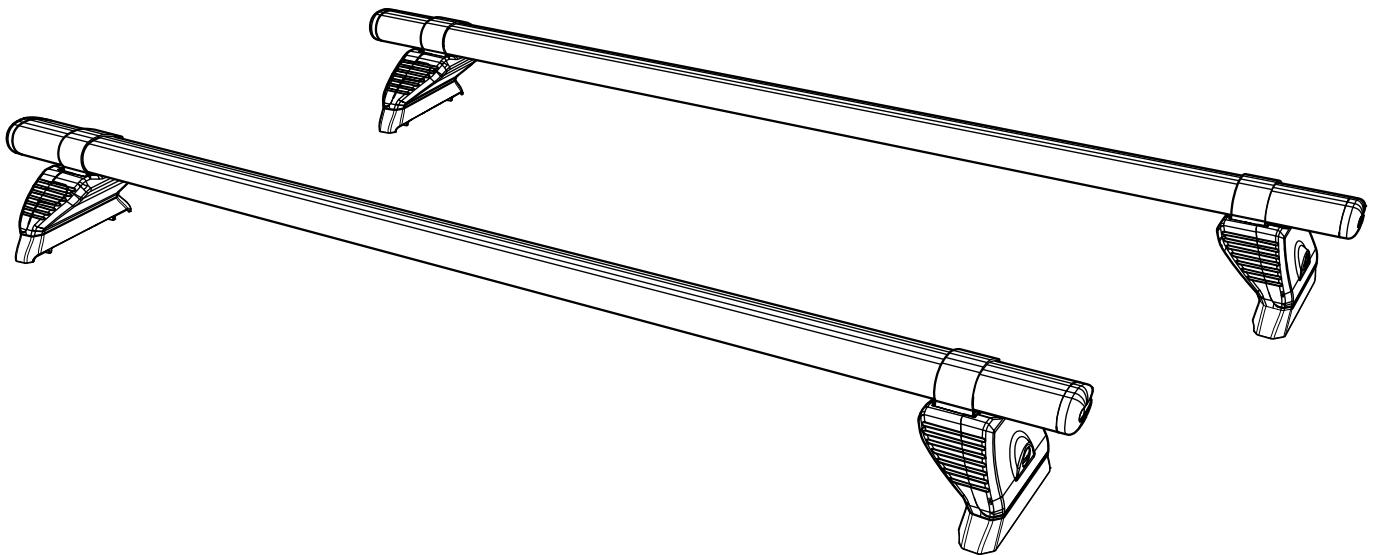


<b>ISSUE:</b>	<b>DRAWN BY:</b>	<b>CHECKED BY:</b>	<b>CRF No:</b>	<b>DATE:</b>	<b>DESCRIPTION:</b>
a	SJ	KB	2758	02/08/22	First Issue
b					
c					
d					
e					
f					
g					
h					
i					
j					
k					
l					
m					

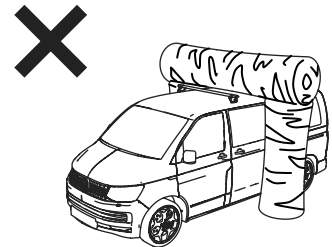
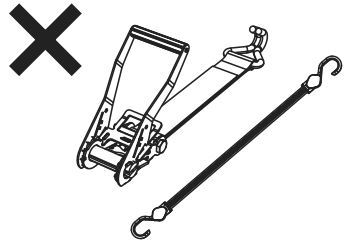
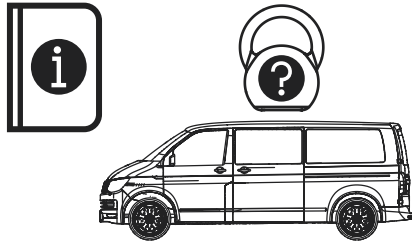
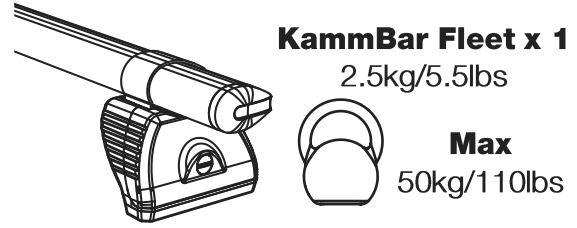
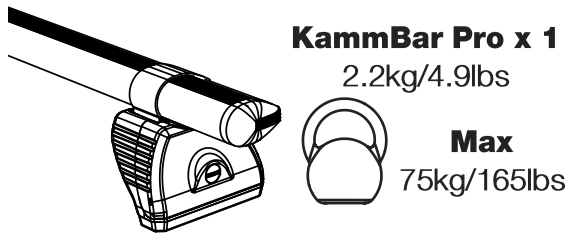
# JD2PR/FL KammBar

## Instructions

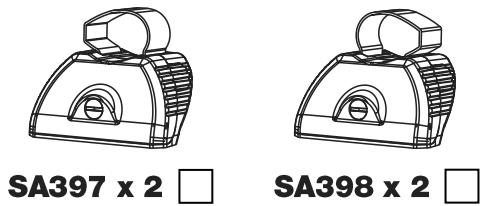
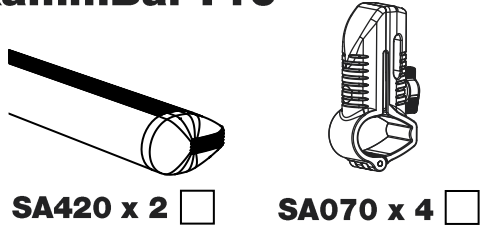


**CITY CRASH** (✓)

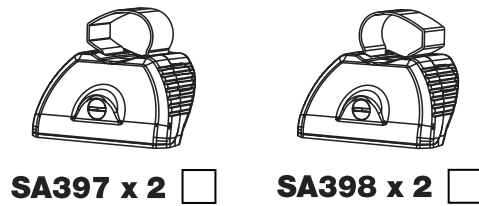
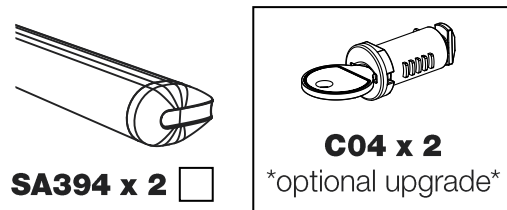
According to ISO/ PAS 11154:2006



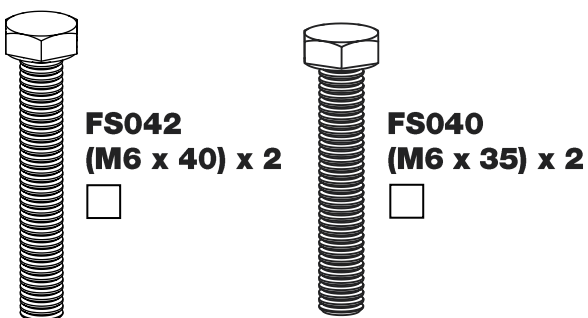
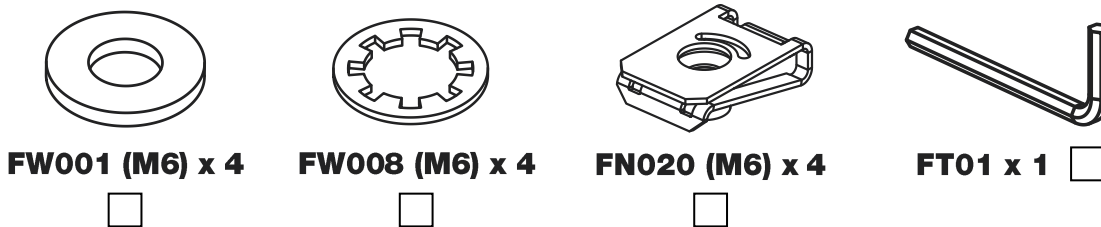
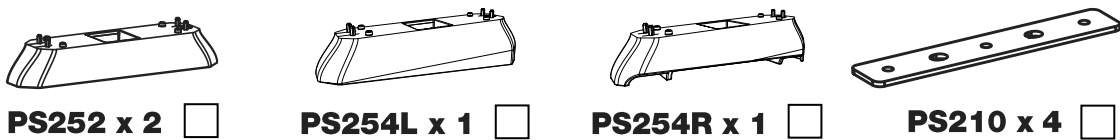
### KammBar Pro



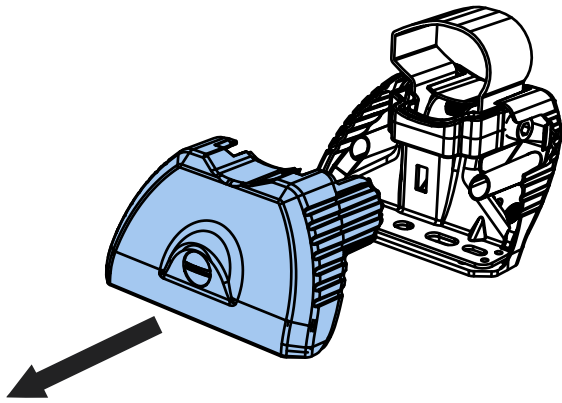
### KammBar Fleet



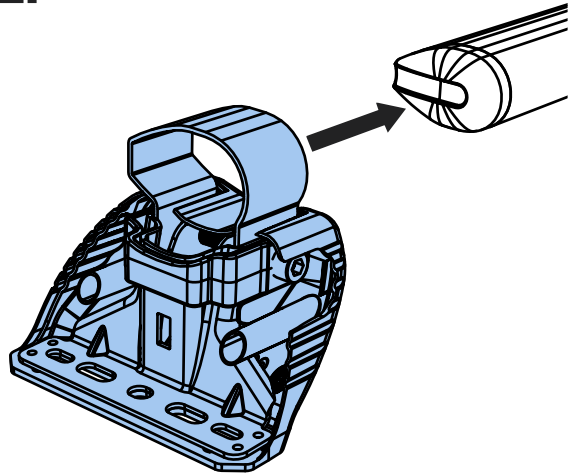
### Fitting Kit



1.



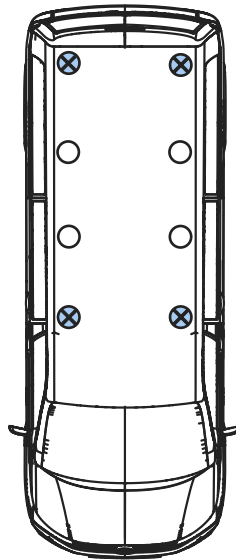
2.



3.



**SA397**  
**PS254R**

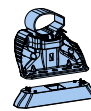


**SA398**  
**PS254L**

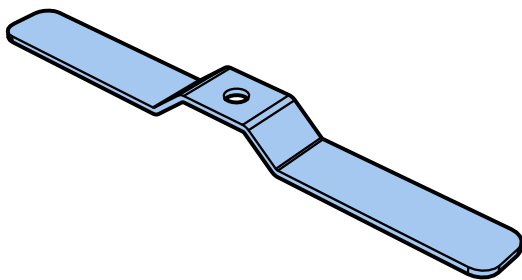


**SA397**  
**PS252**

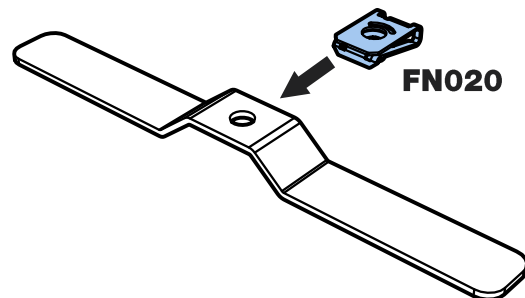
**SA398**  
**PS252**



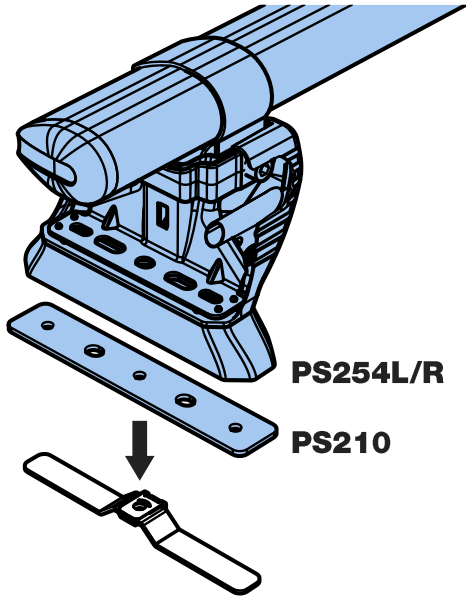
4.



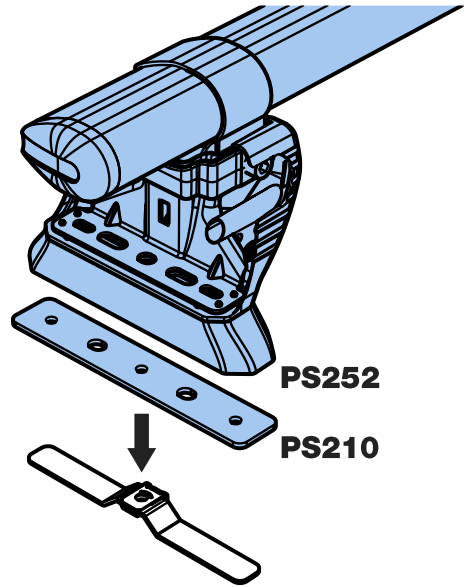
5.



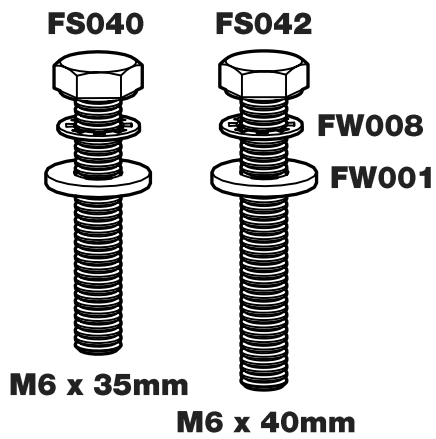
6.



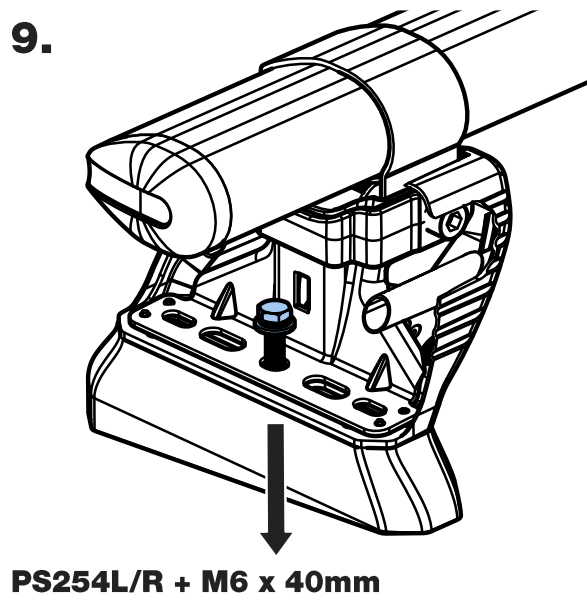
7.



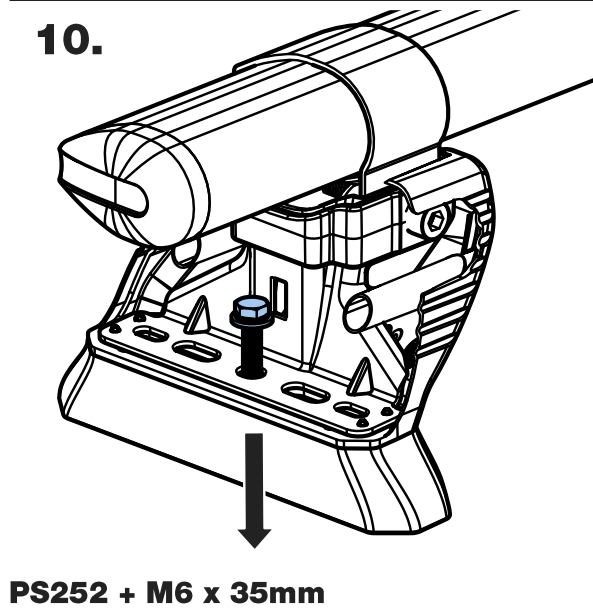
8.



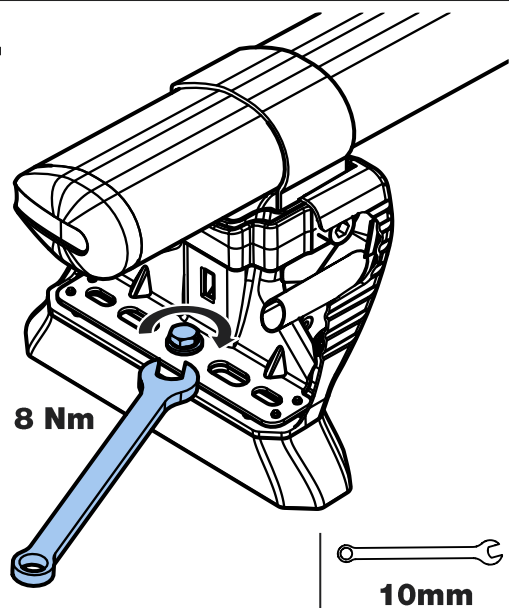
9.



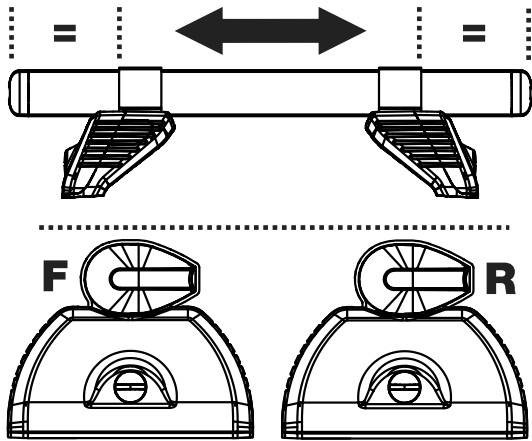
10.



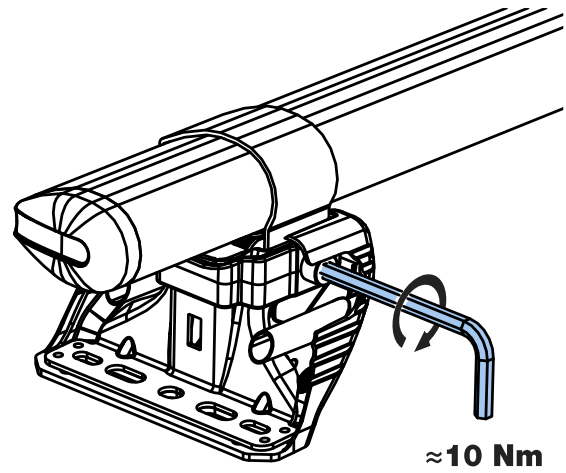
11.



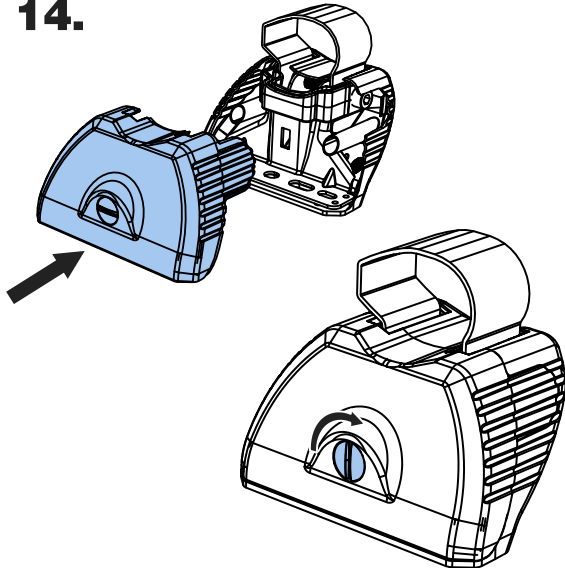
12.



13.



14.



15.

