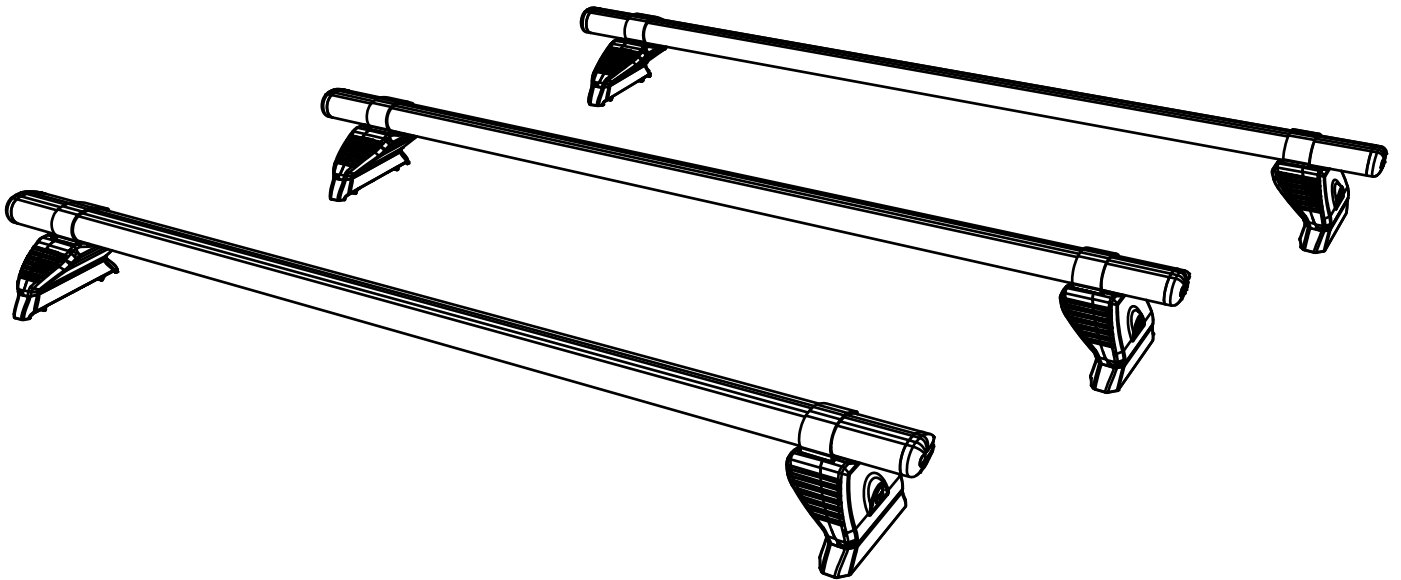


ISSUE:	DRAWN BY:	CHECKED BY:	CRF No:	DATE:	DESCRIPTION:
a	SJ	KB	2758	02/08/22	First Issue
b					
c					
d					
e					
f					
g					
h					
i					
j					
k					
l					
m					

JD3PR/FL

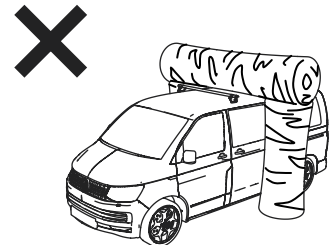
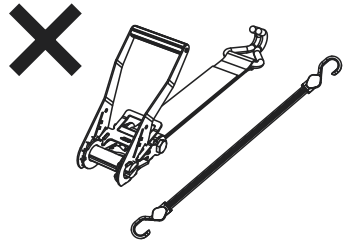
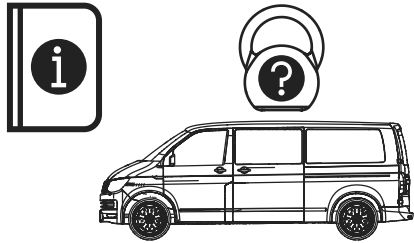
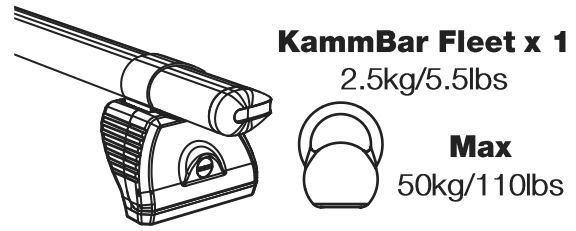
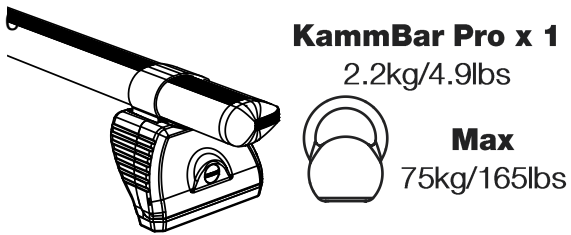
KammBar

Instructions

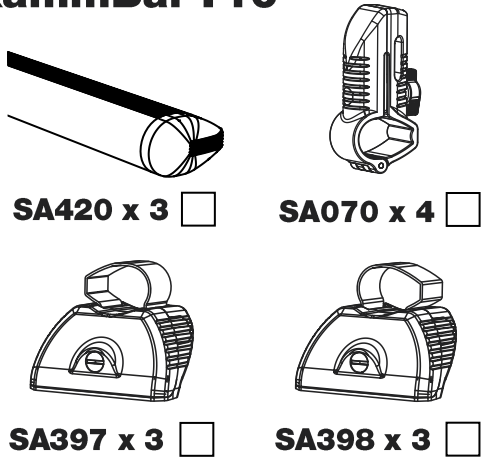


CITY CRASH (✓)

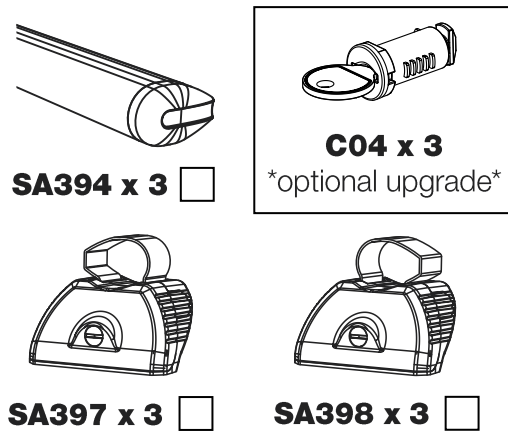
According to ISO/ PAS 11154:2006



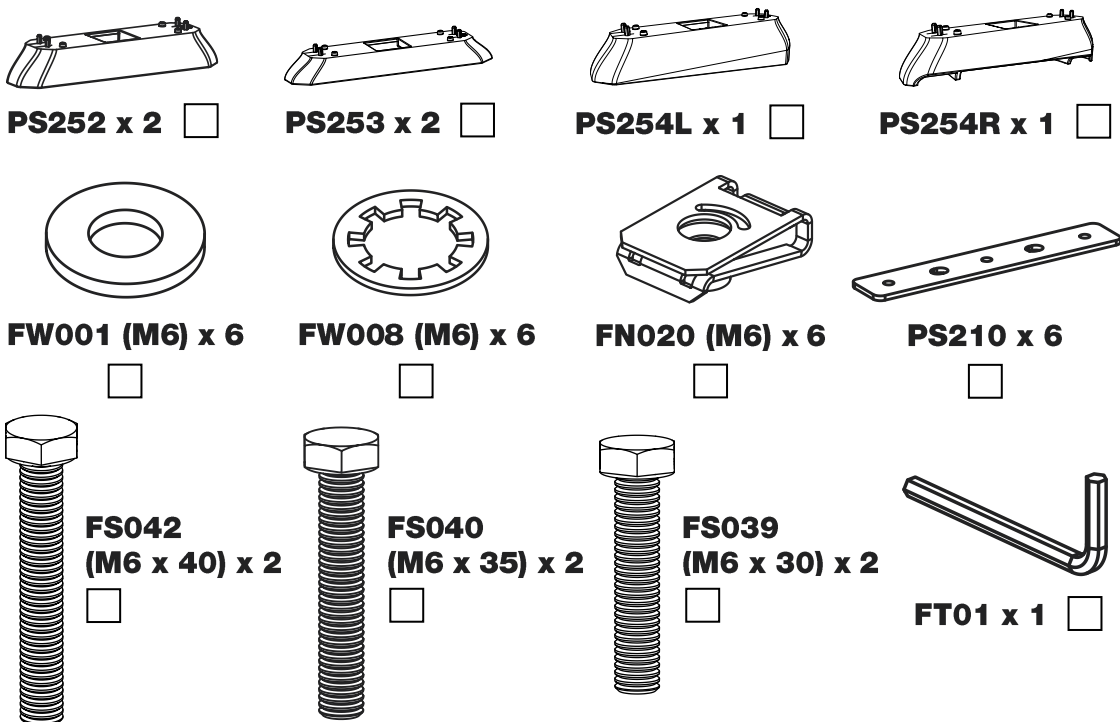
KammBar Pro



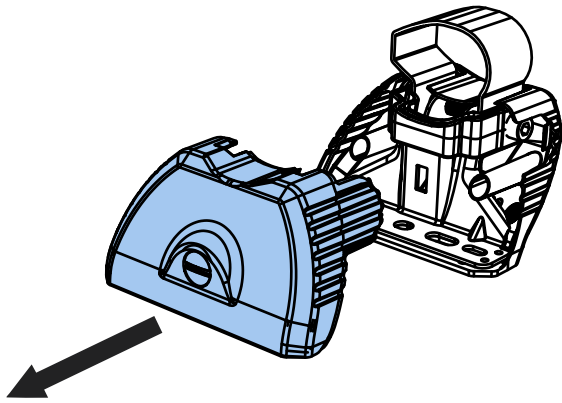
KammBar Fleet



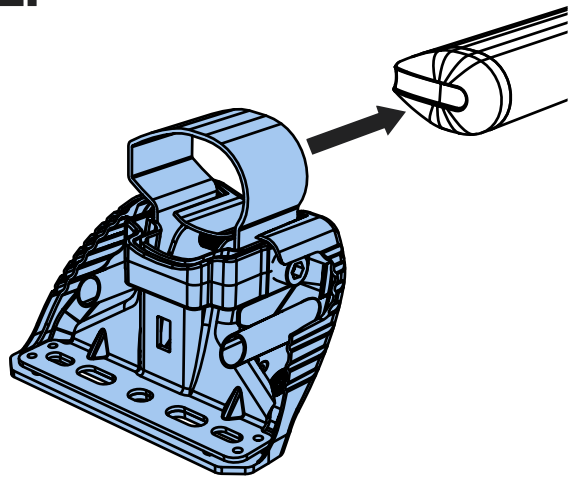
Fitting Kit



1.



2.



3.



SA397
PS254R

SA398
PS254L



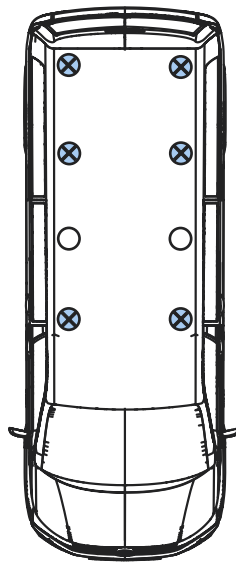
SA397
PS253

SA398
PS253

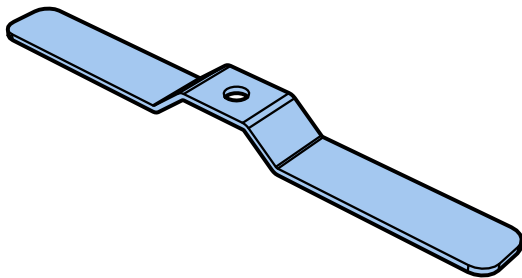


SA397
PS252

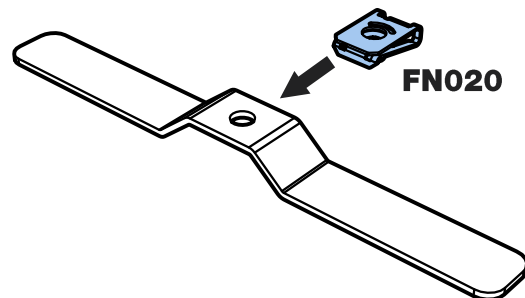
SA398
PS252



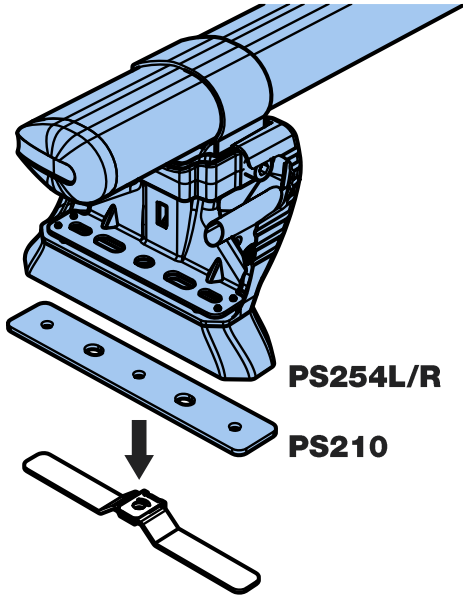
4.



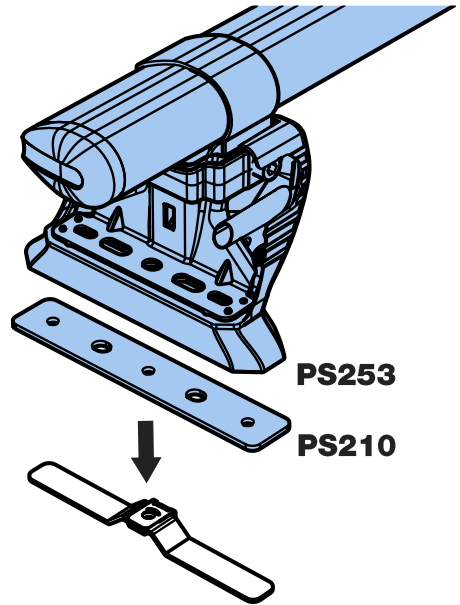
5.



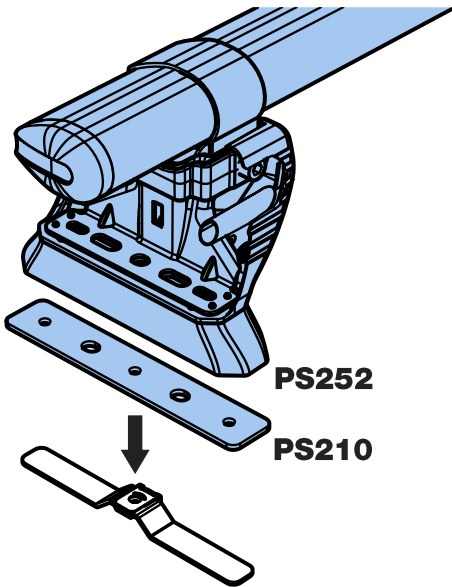
6.



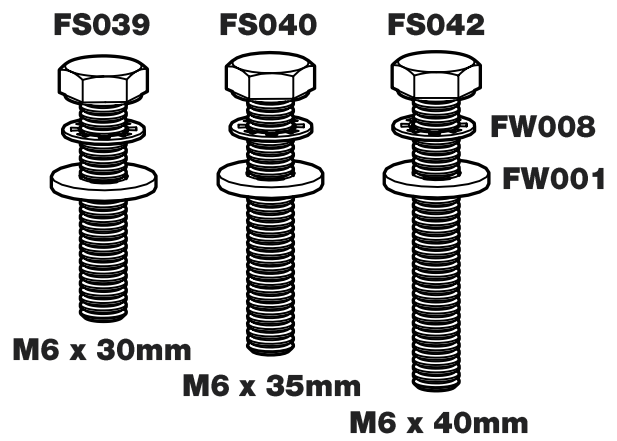
7.



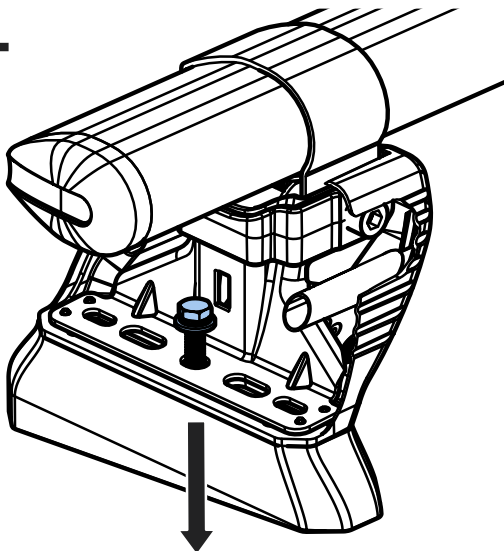
8.



9.

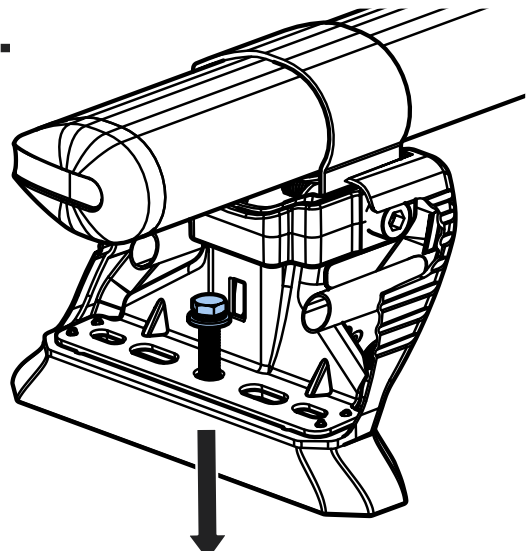


10.



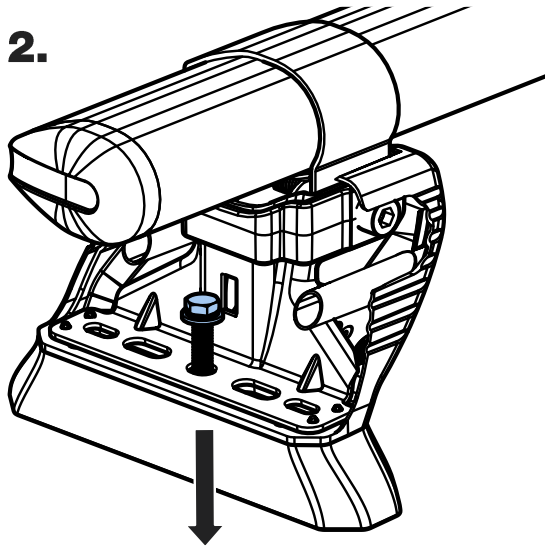
PS254L/R + M6 x 40mm

11.



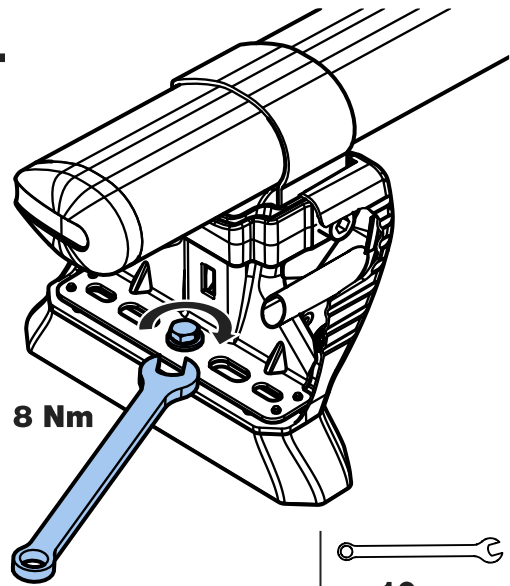
PS253 + M6 x 30mm

12.



PS252 + M6 x 35mm

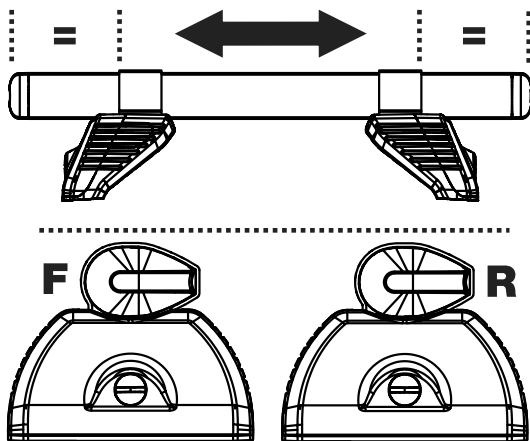
13.



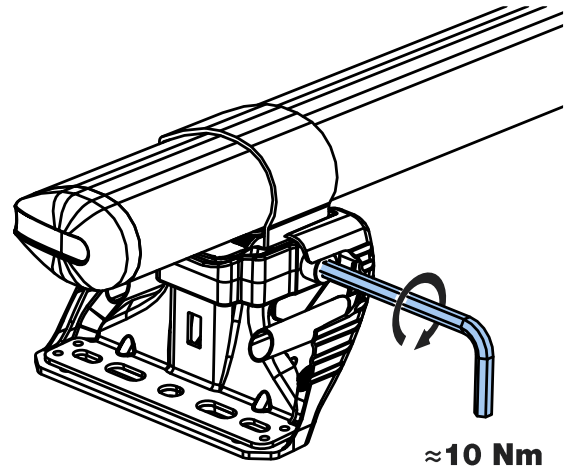
8 Nm

10mm

14.

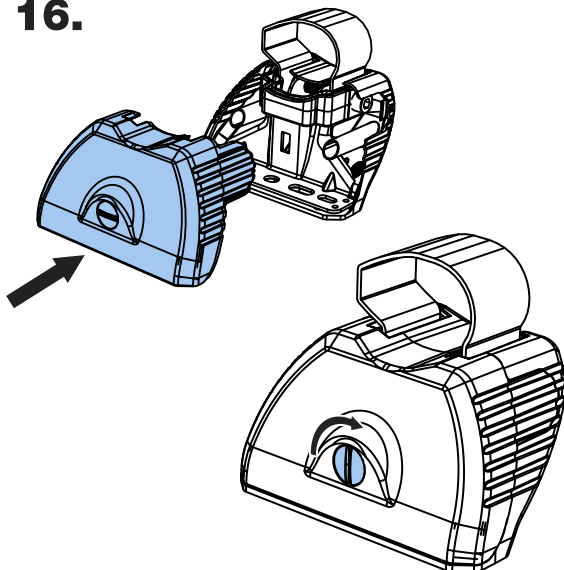


15.



≈10 Nm

16.



17.

