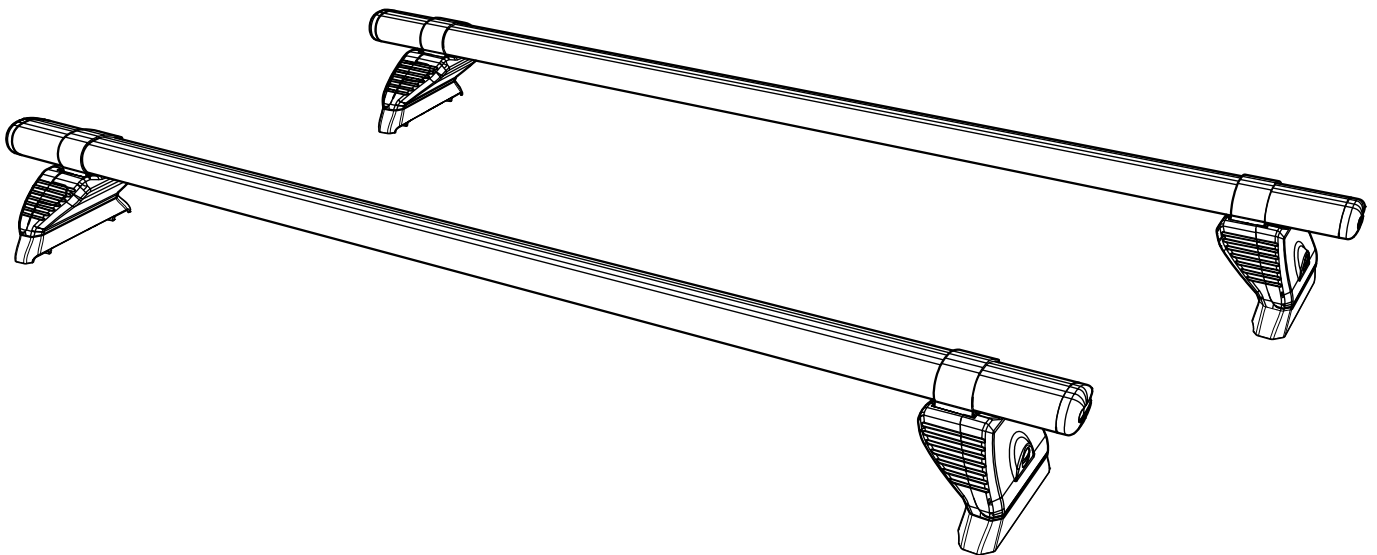


ISSUE:	DRAWN BY:	CHECKED BY:	CRF No:	DATE:	DESCRIPTION:
a	SJ	KB	2758	02/08/22	First Issue
b					
c					
d					
e					
f					
g					
h					
i					
j					
k					
l					
m					

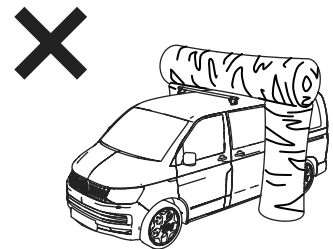
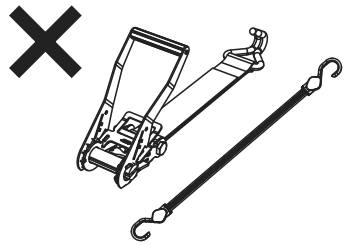
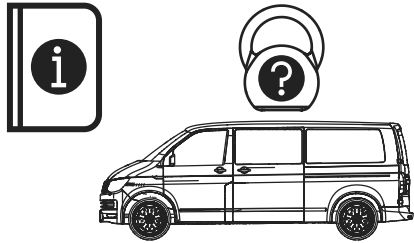
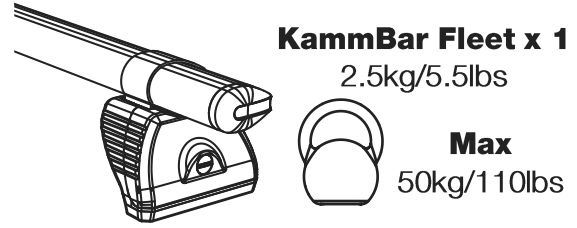
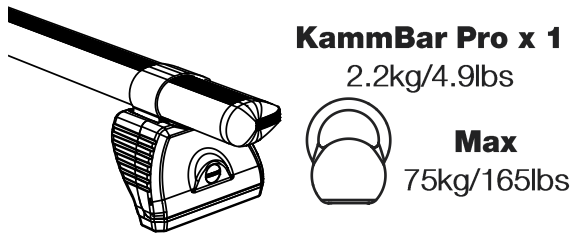
JC2PR/FL KammBar

Instructions

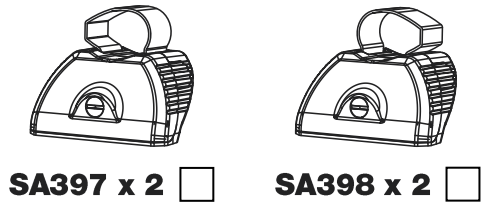
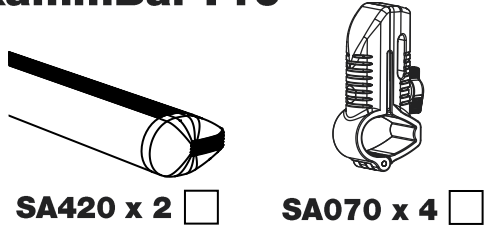


CITY CRASH (✓)

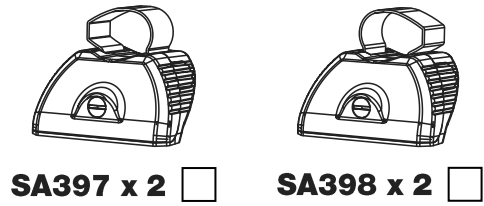
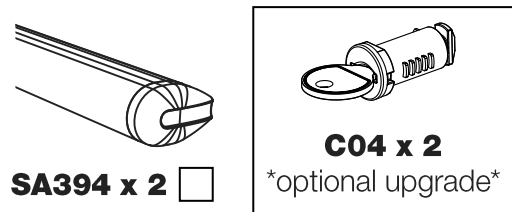
According to ISO/ PAS 11154:2006



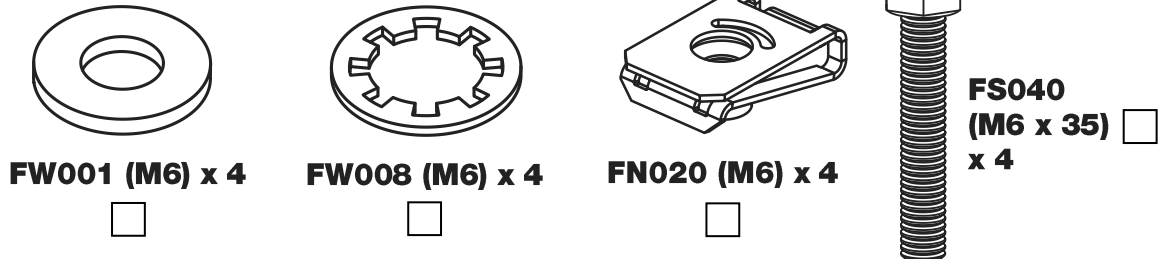
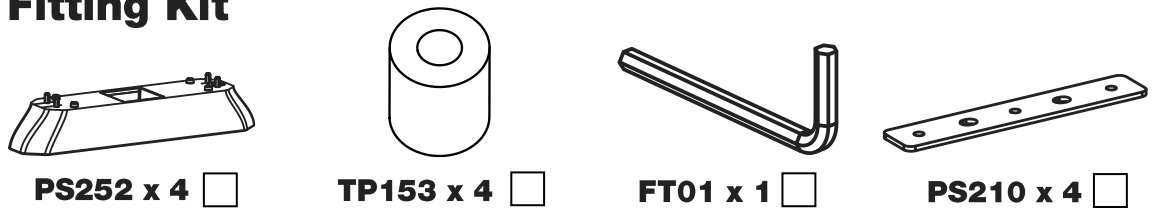
KammBar Pro



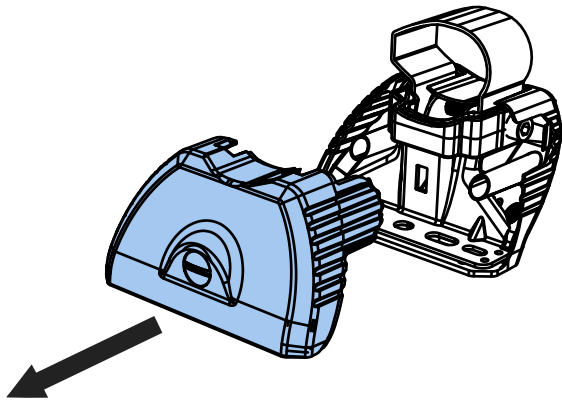
KammBar Fleet



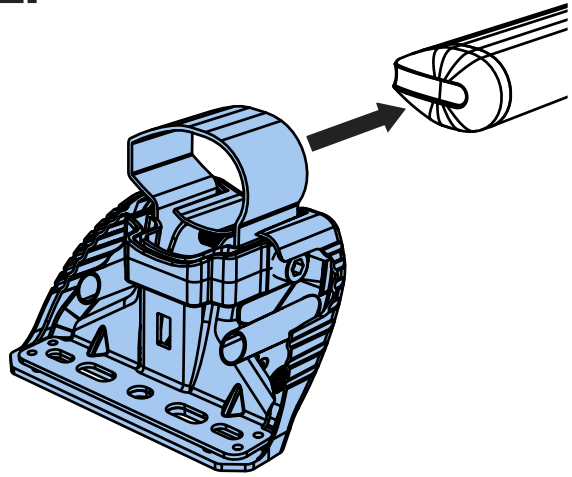
Fitting Kit



1.



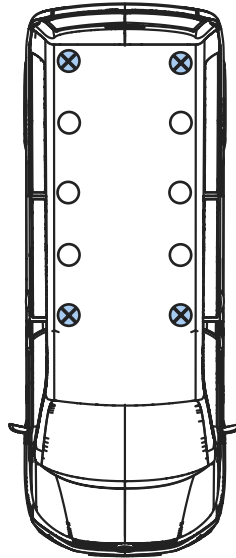
2.



3.



SA397
PS252

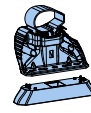


SA398
PS252

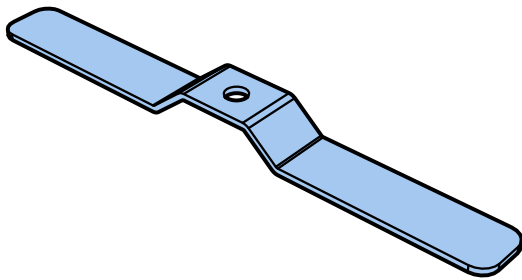


SA397
PS252

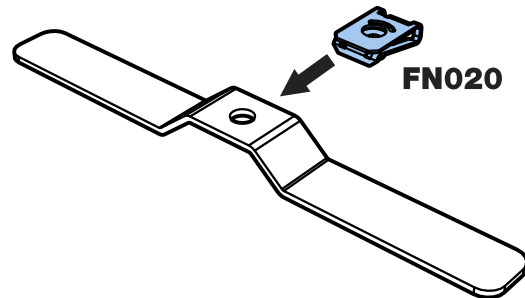
SA398
PS252

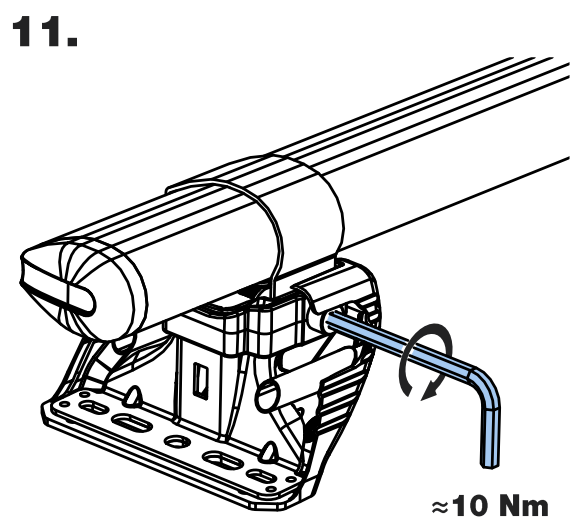
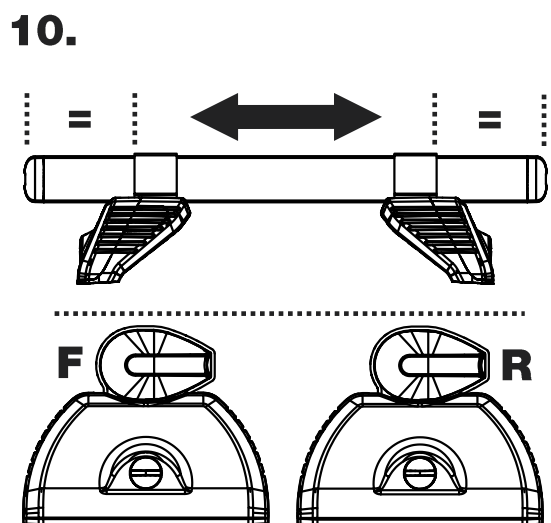
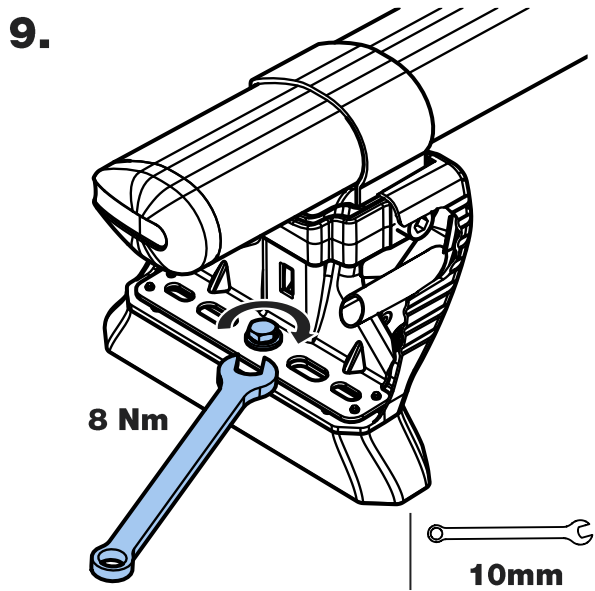
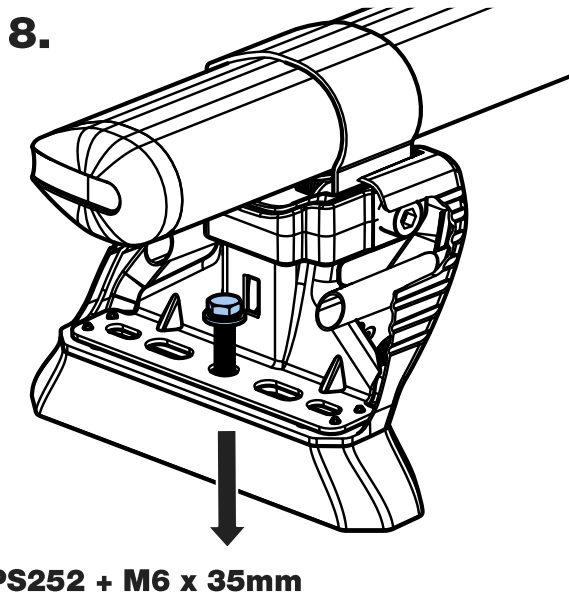
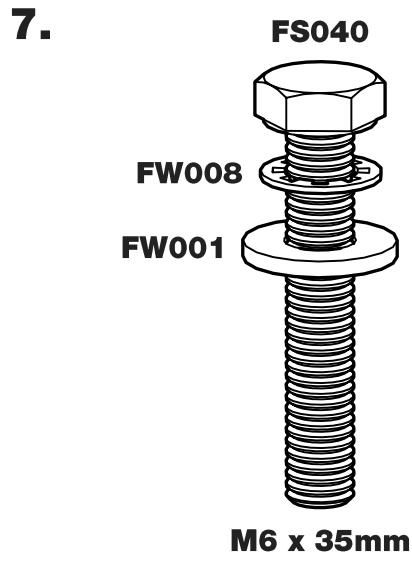
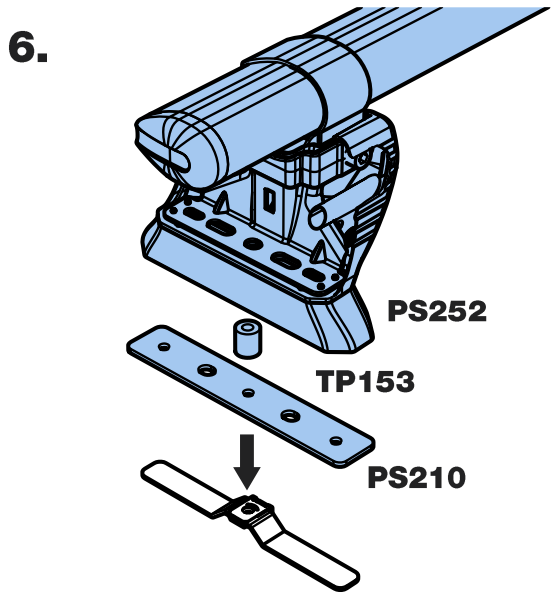


4.

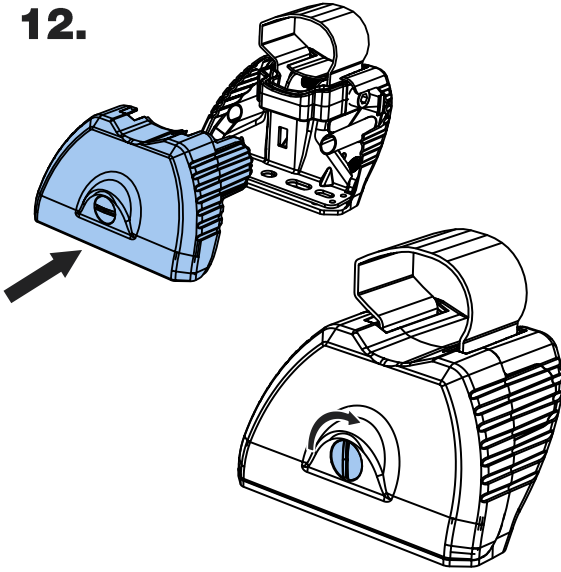


5.





12.



13.

