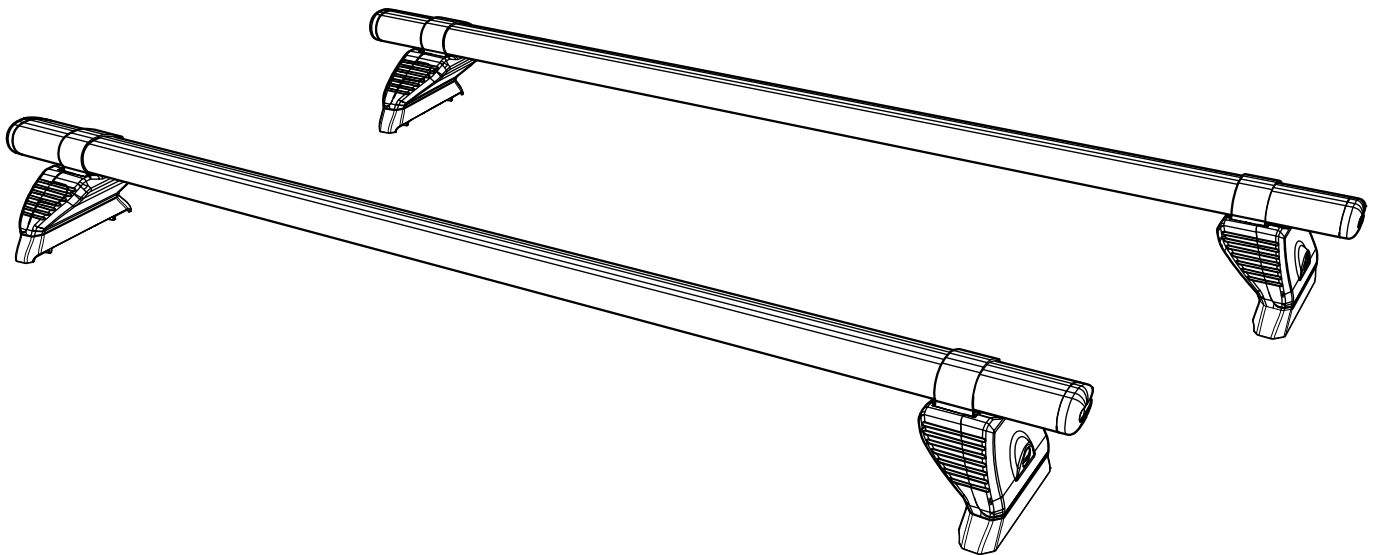


ISSUE:	DRAWN BY:	CHECKED BY:	CRF No:	DATE:	DESCRIPTION:
a	SJ	KB	2758	02/08/22	First Issue
b					
c					
d					
e					
f					
g					
h					
i					
j					
k					
l					
m					

VA2PR/FL

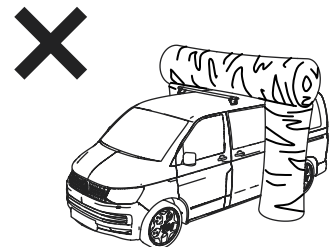
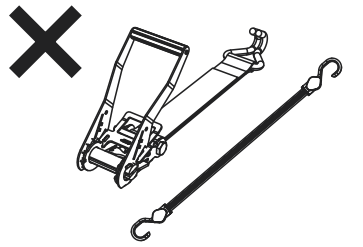
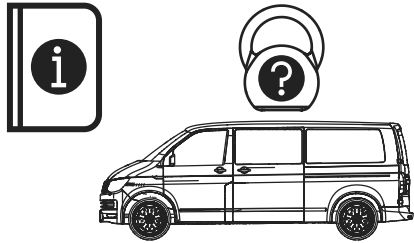
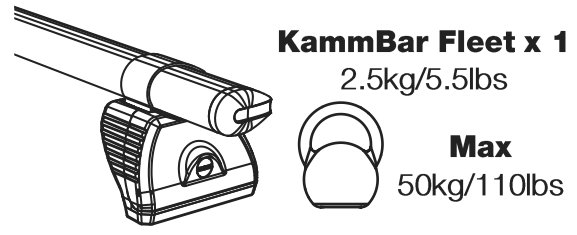
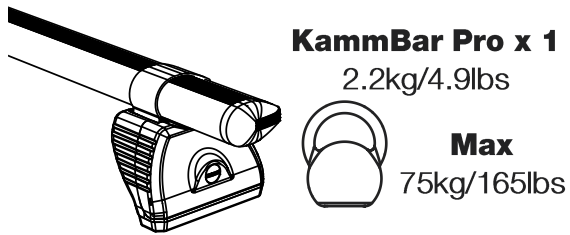
KammBar

Instructions

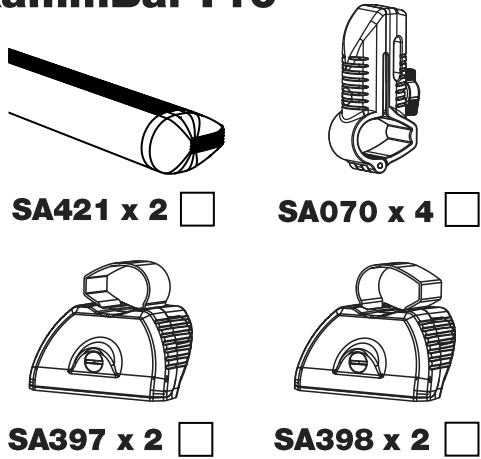


CITY CRASH (✓)

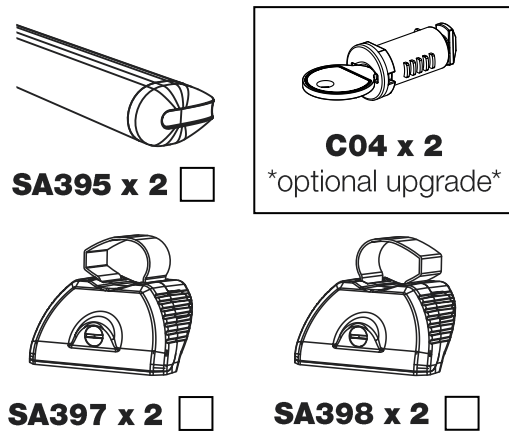
According to ISO/ PAS 11154:2006



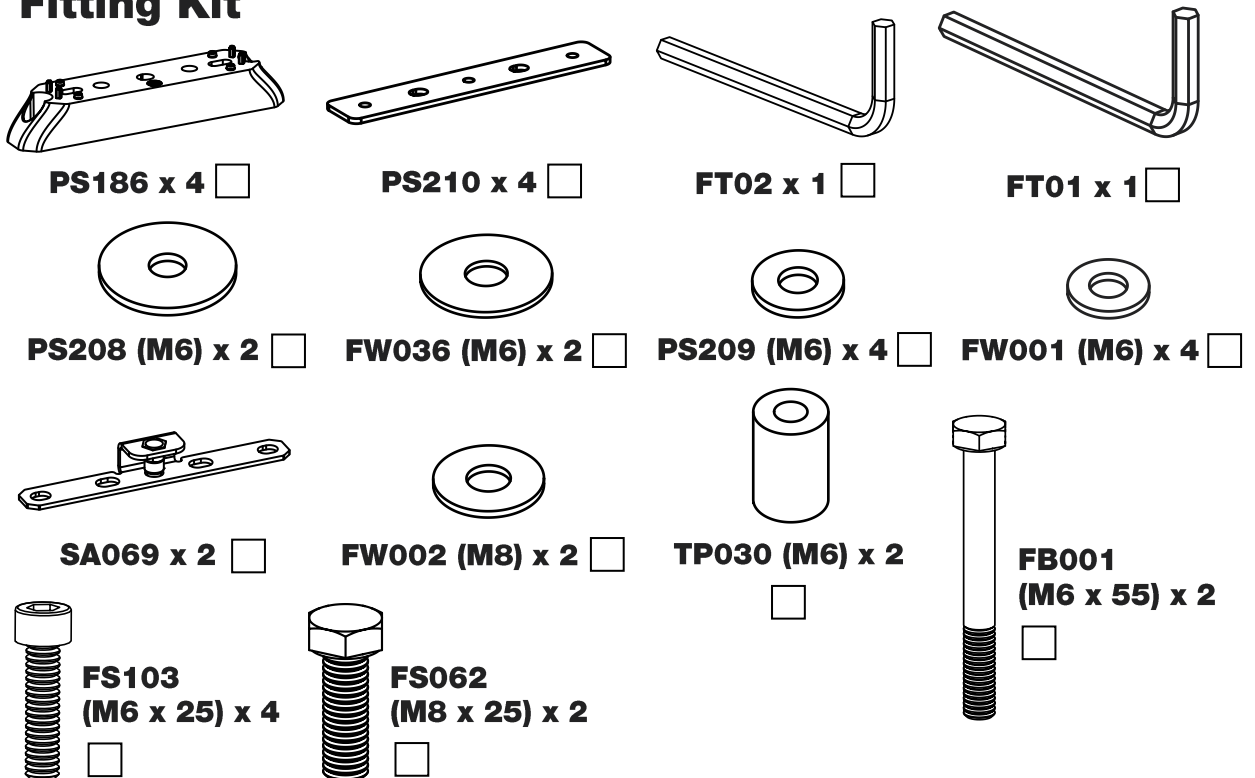
KammBar Pro



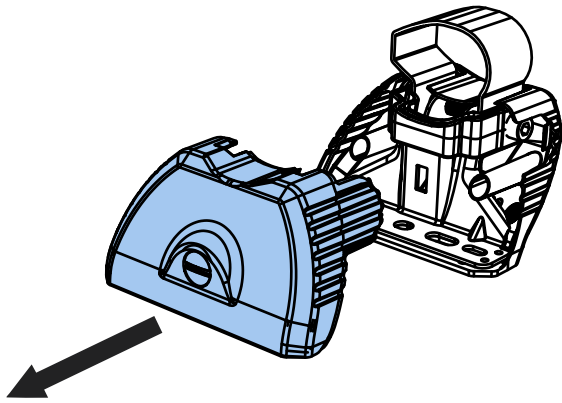
KammBar Fleet



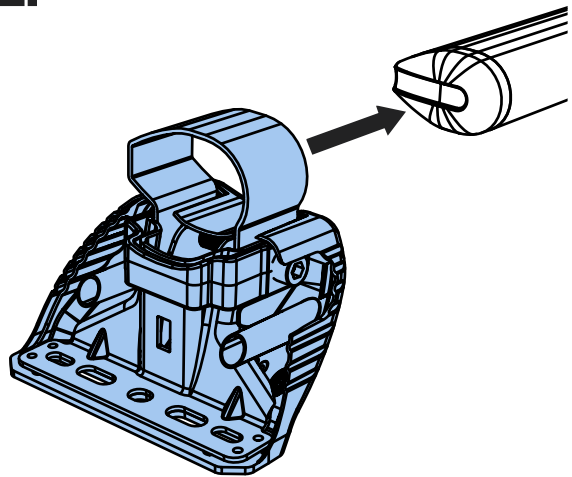
Fitting Kit



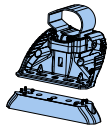
1.



2.

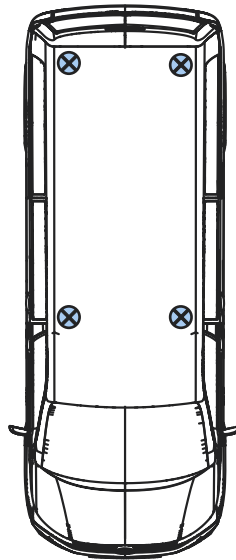


3.

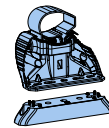


SA397

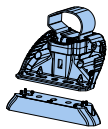
PS186



SA398



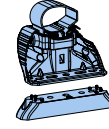
PS186



SA397

PS186

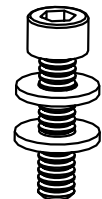
SA398



PS186

4.

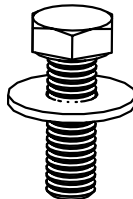
FS103



FW001
PS209

M6 x 25mm

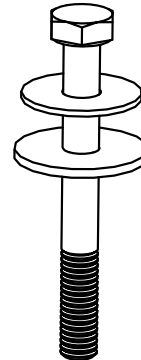
FS062



FW002

M8 x 25mm

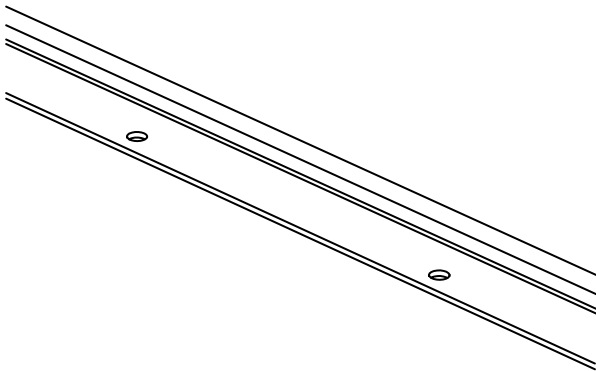
FB001



FW036
PS208

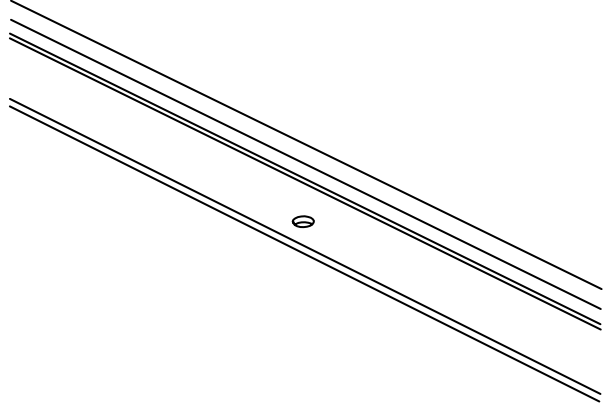
M6 x 55mm

5.



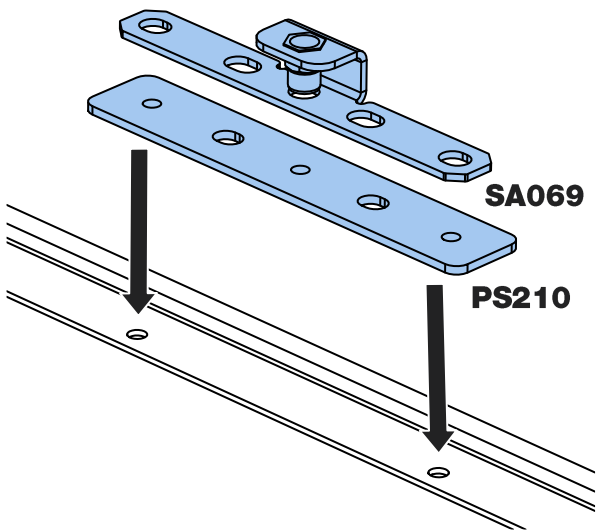
7-13, 17-20.

6.

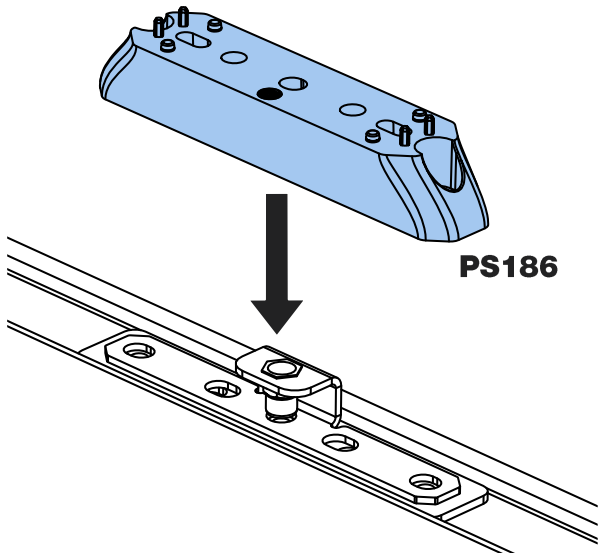


14-20.

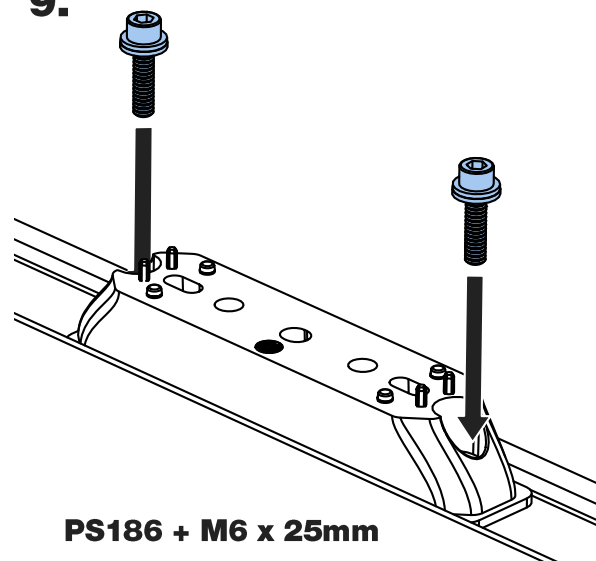
7.



8.

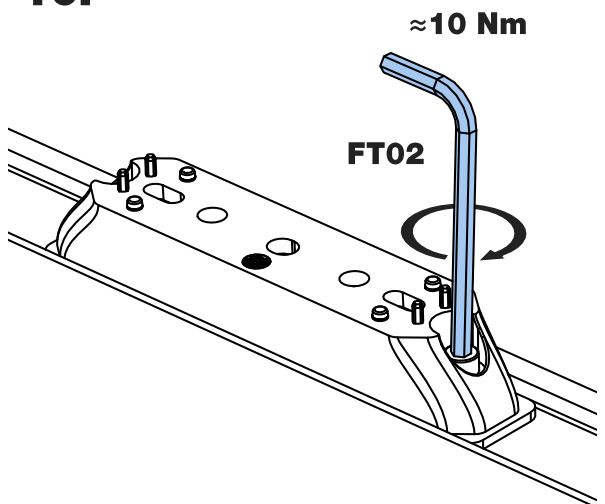


9.

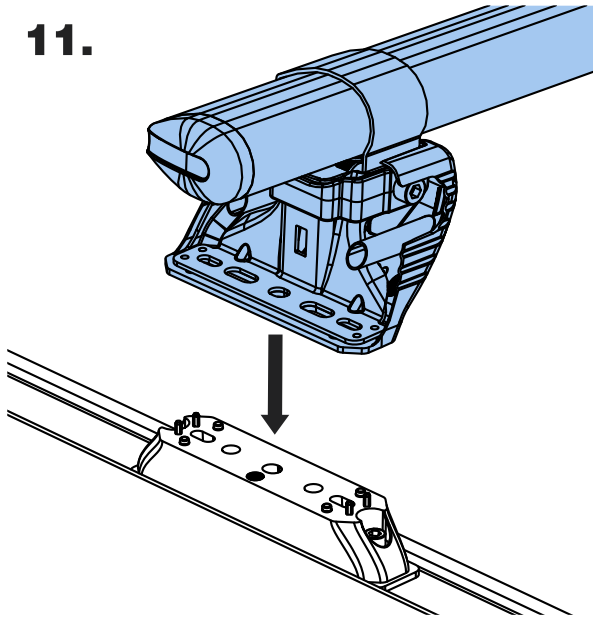


PS186 + M6 x 25mm

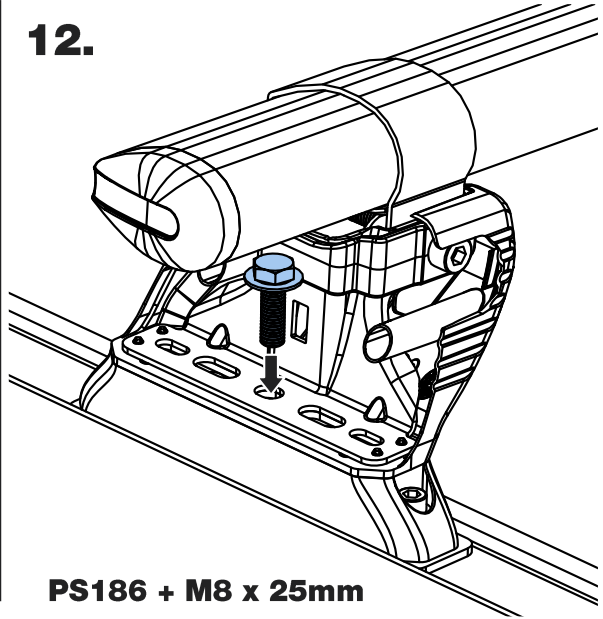
10.



11.

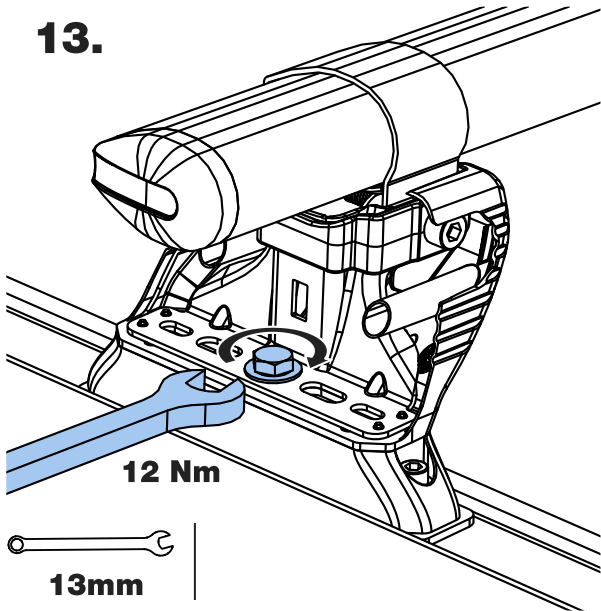


12.



PS186 + M8 x 25mm

13.

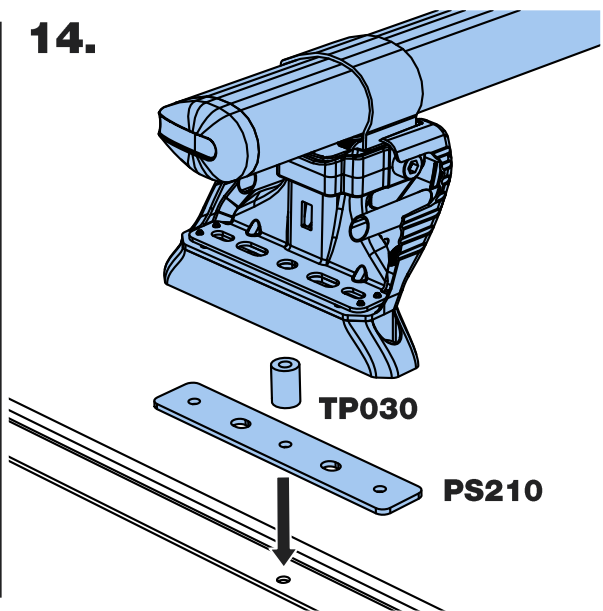


12 Nm



13mm

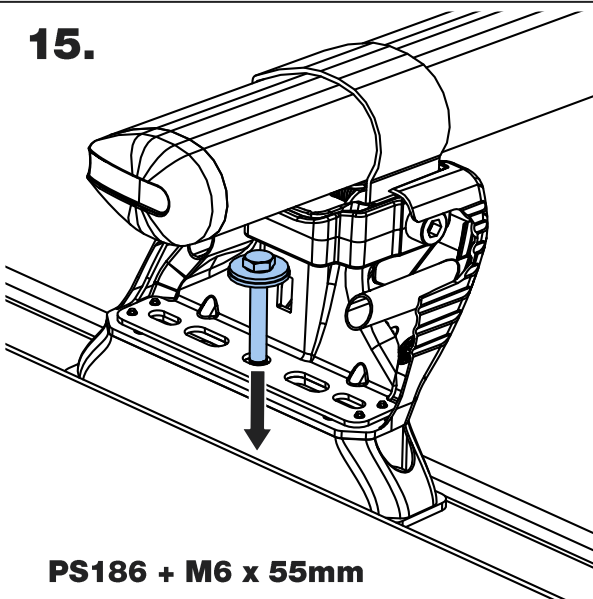
14.



TP030

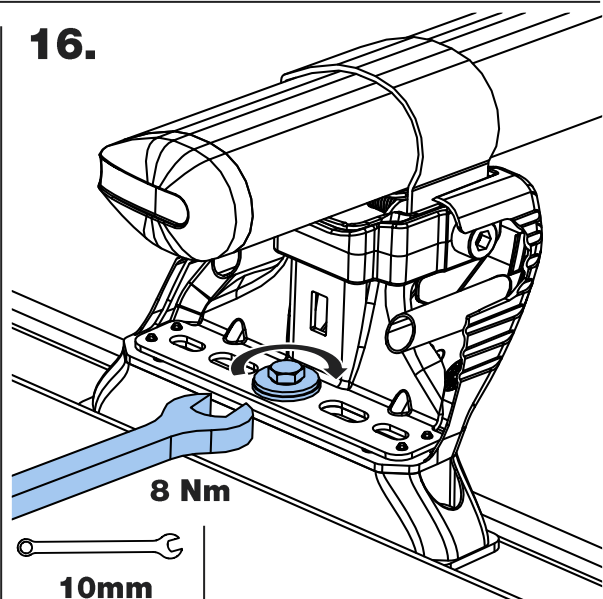
PS210

15.

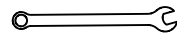


PS186 + M6 x 55mm

16.

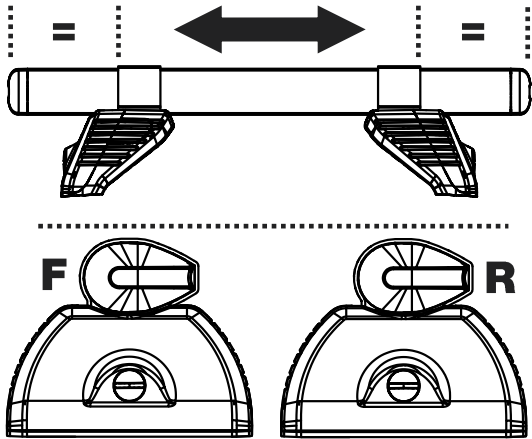


8 Nm

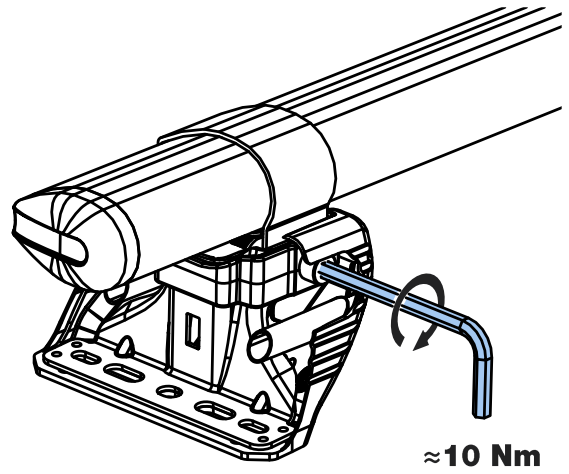


10mm

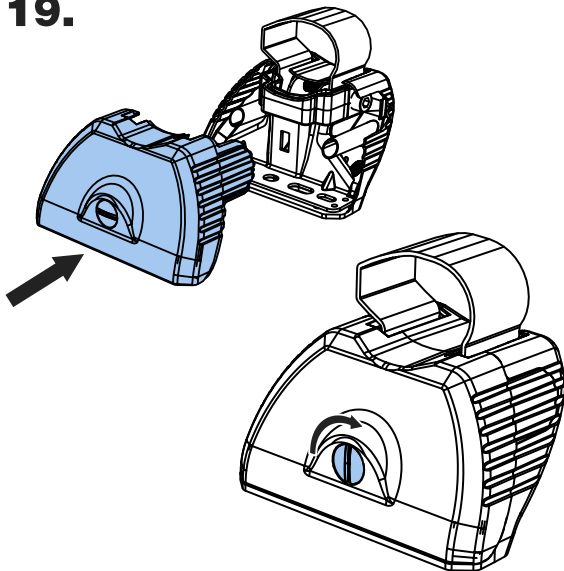
17.



18.



19.



20.

