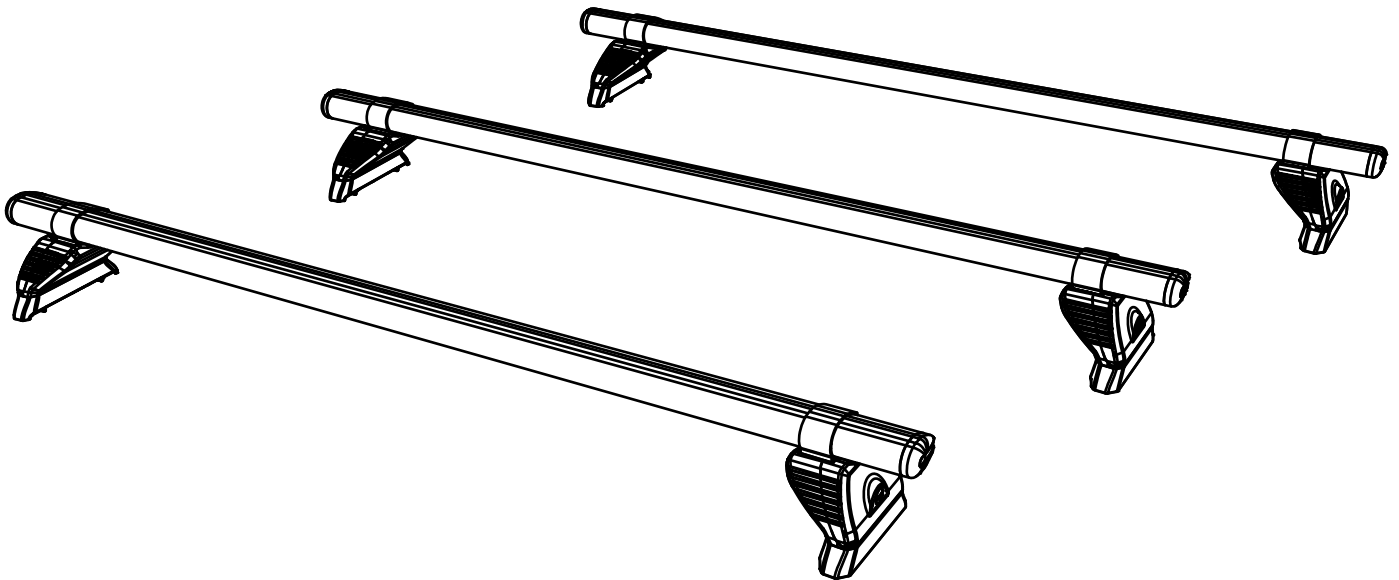


ISSUE:	DRAWN BY:	CHECKED BY:	CRF No:	DATE:	DESCRIPTION:
a	SJ	KB	2758	02/08/22	First Issue
b					
c					
d					
e					
f					
g					
h					
i					
j					
k					
l					
m					

VA3PR/FL

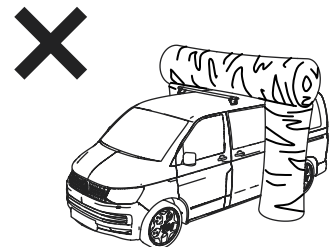
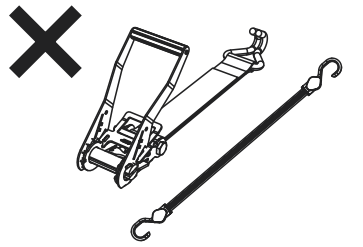
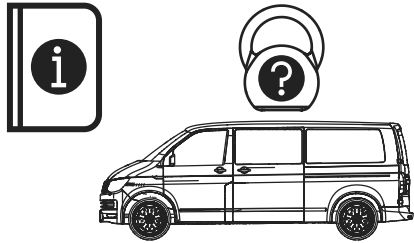
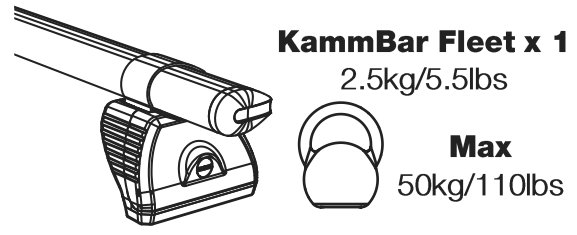
KammBar

Instructions

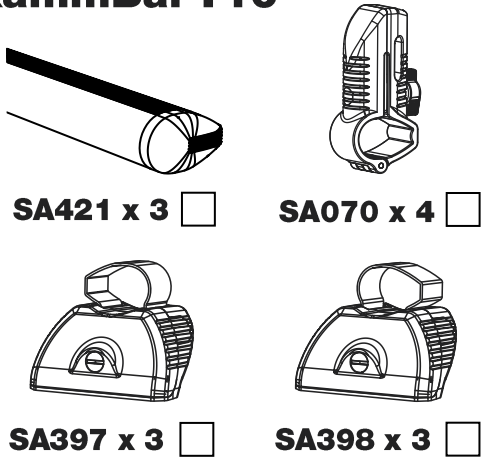


CITY CRASH (✓)

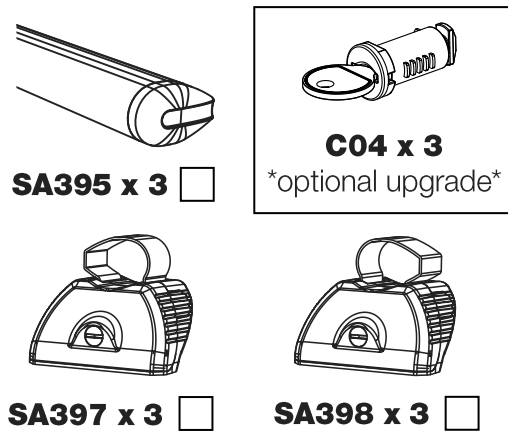
According to ISO/ PAS 11154:2006



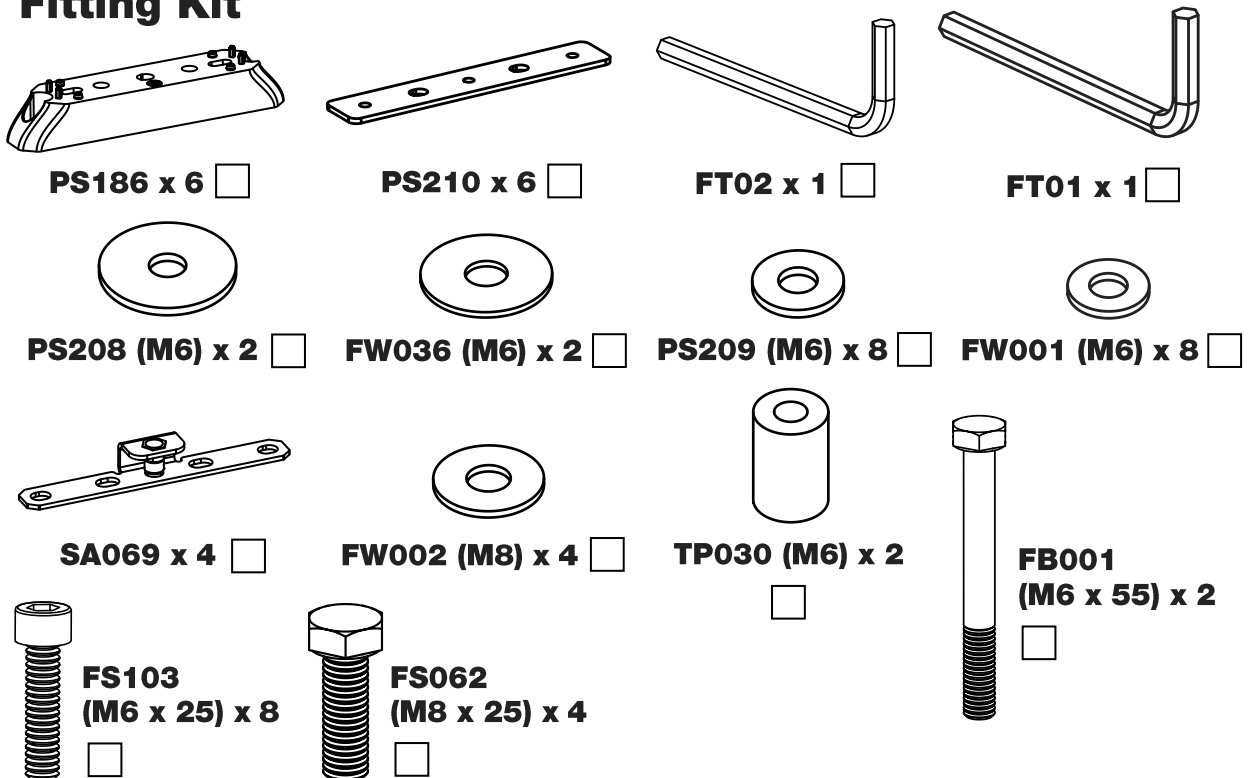
KammBar Pro



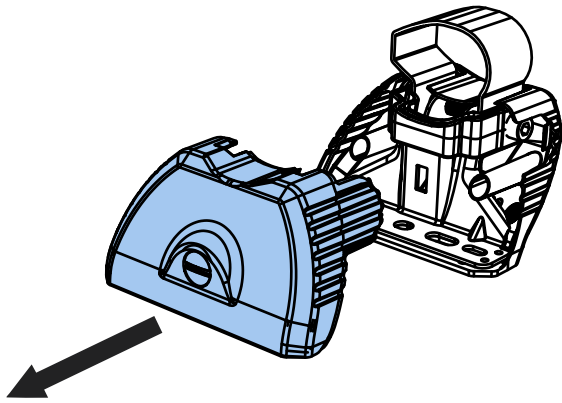
KammBar Fleet



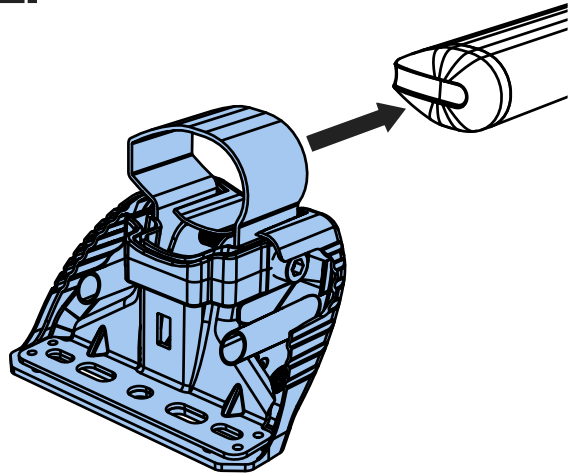
Fitting Kit



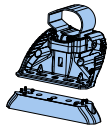
1.



2.

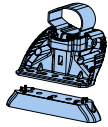


3.



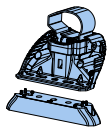
SA397

PS186



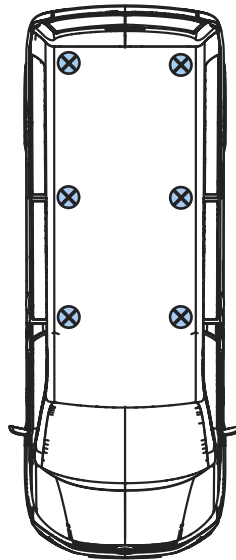
SA397

PS186

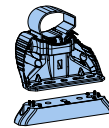


SA397

PS186

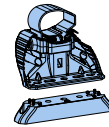


SA398



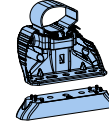
PS186

SA398



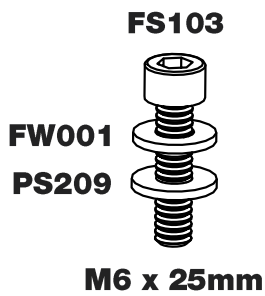
PS186

SA398

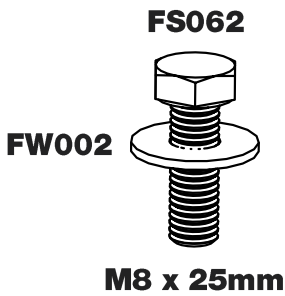


PS186

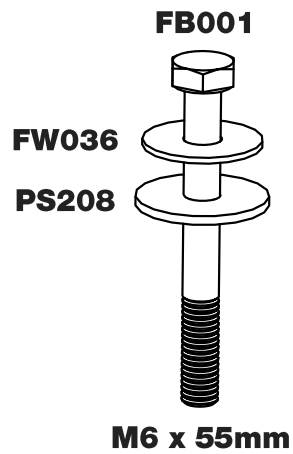
4.



M6 x 25mm

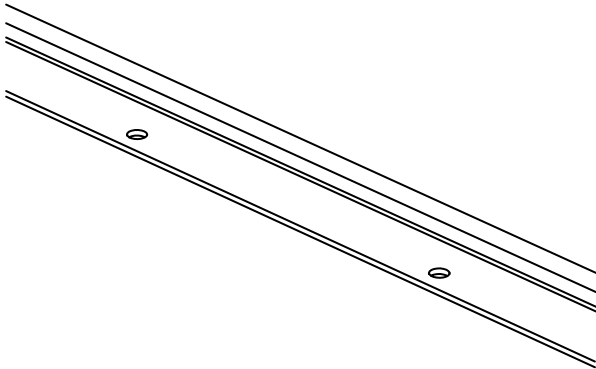


M8 x 25mm



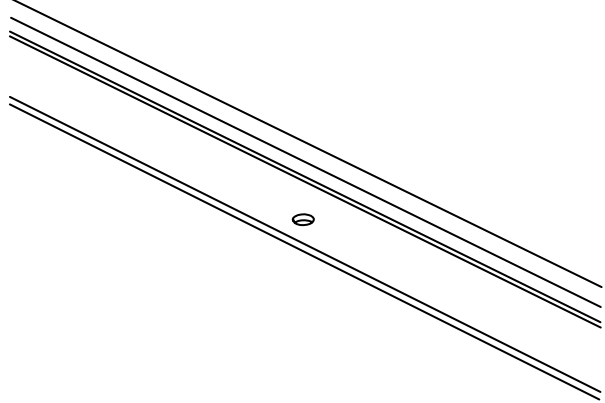
M6 x 55mm

5.



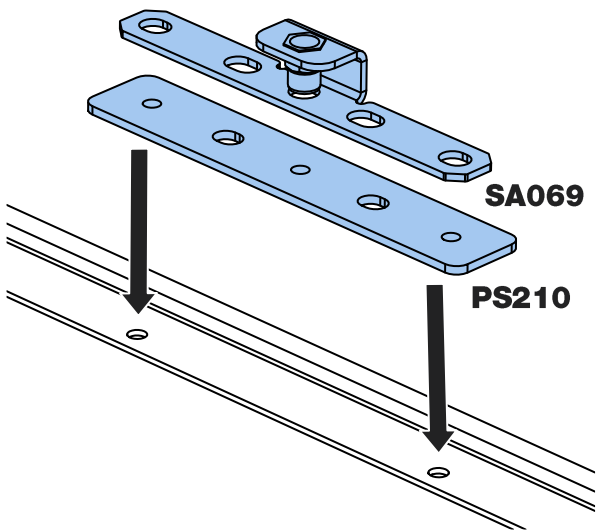
7-13, 17-20.

6.

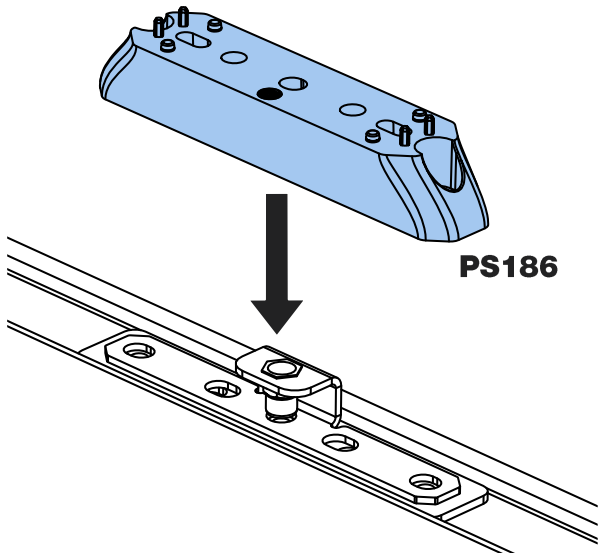


14-20.

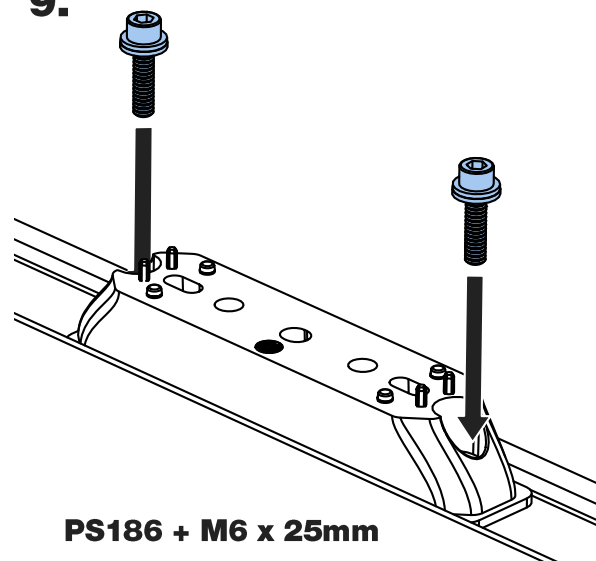
7.



8.

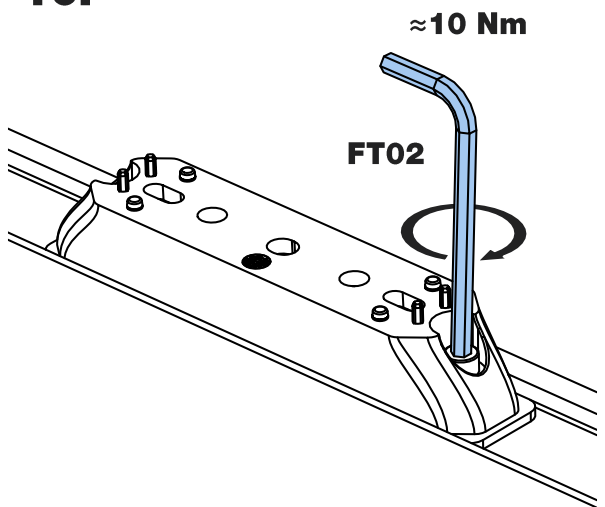


9.

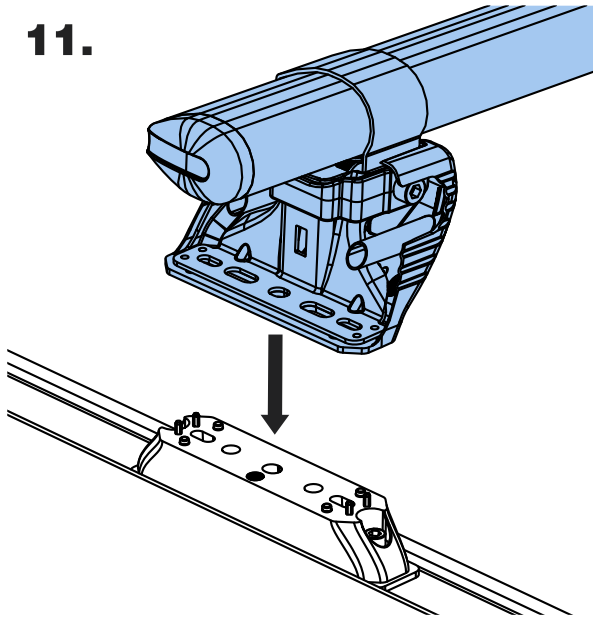


PS186 + M6 x 25mm

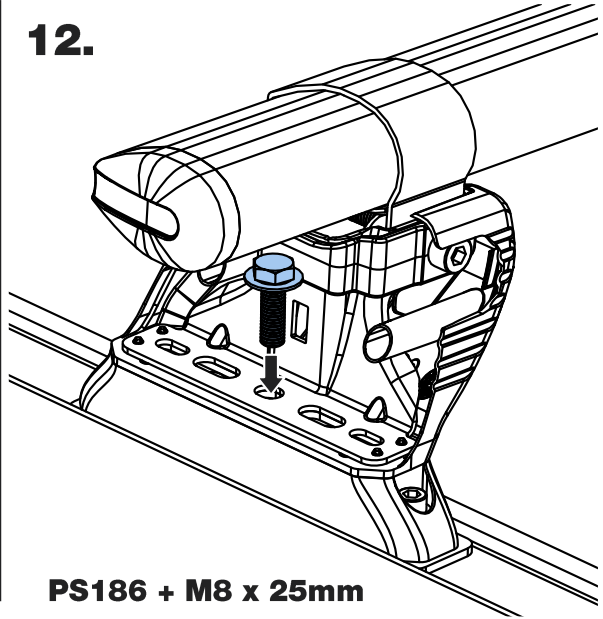
10.



11.

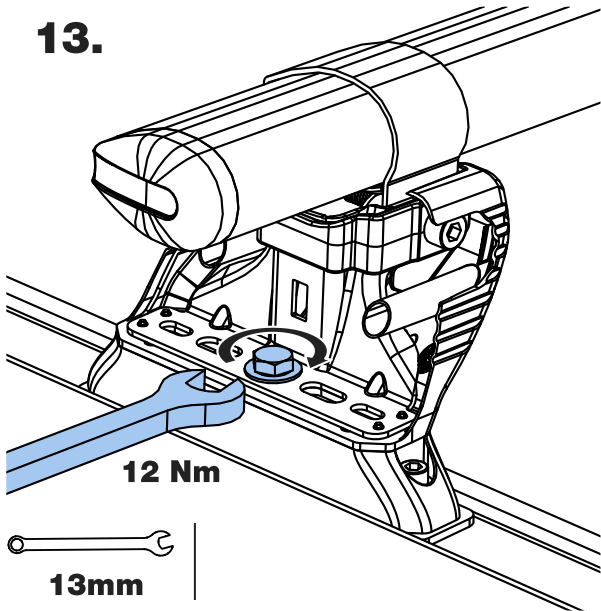


12.



PS186 + M8 x 25mm

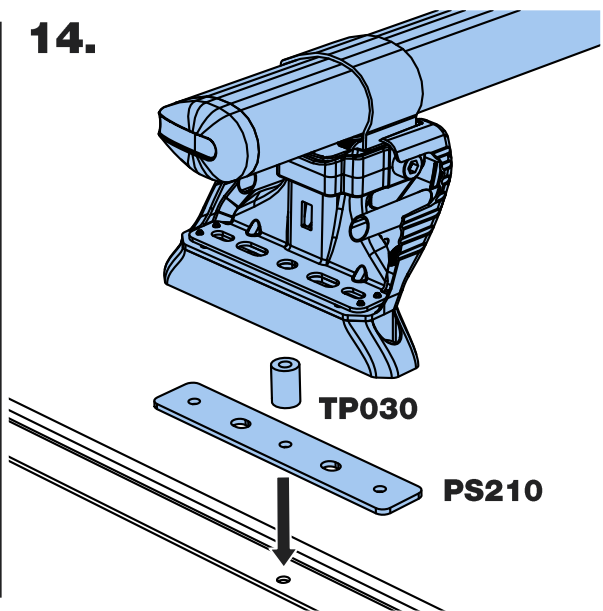
13.



12 Nm

13mm

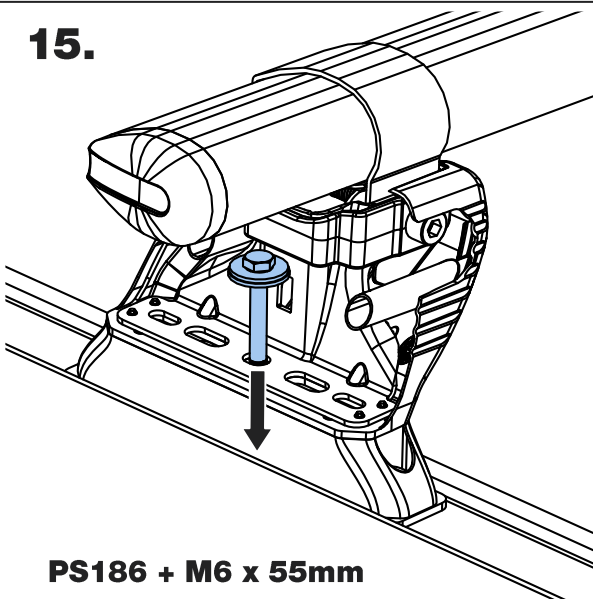
14.



TP030

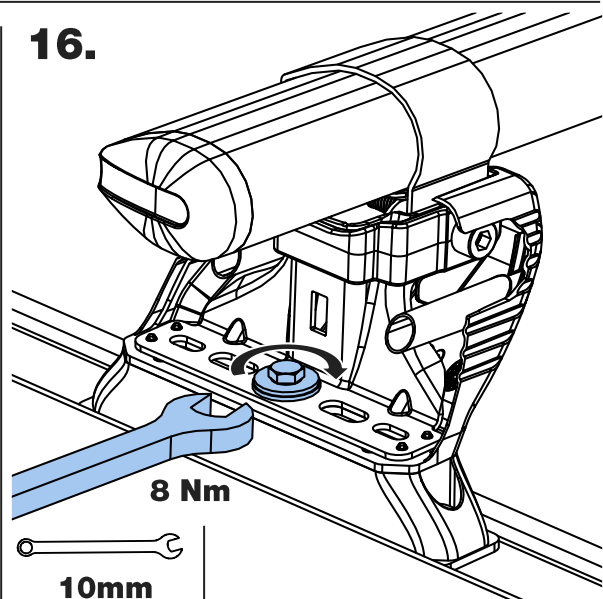
PS210

15.



PS186 + M6 x 55mm

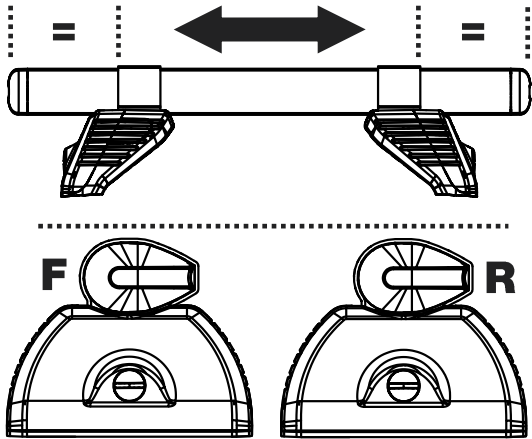
16.



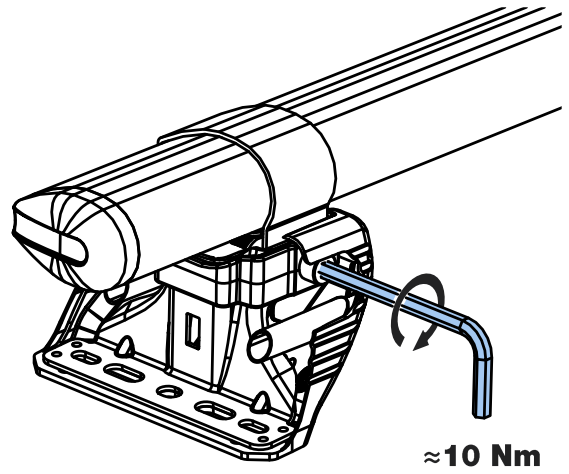
8 Nm

10mm

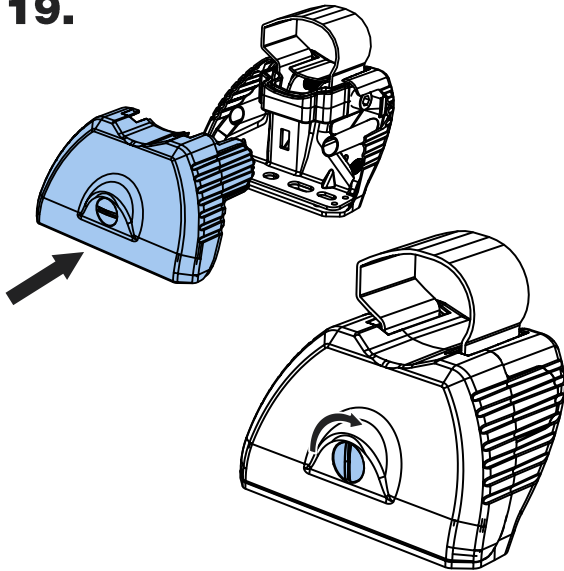
17.



18.



19.



20.

