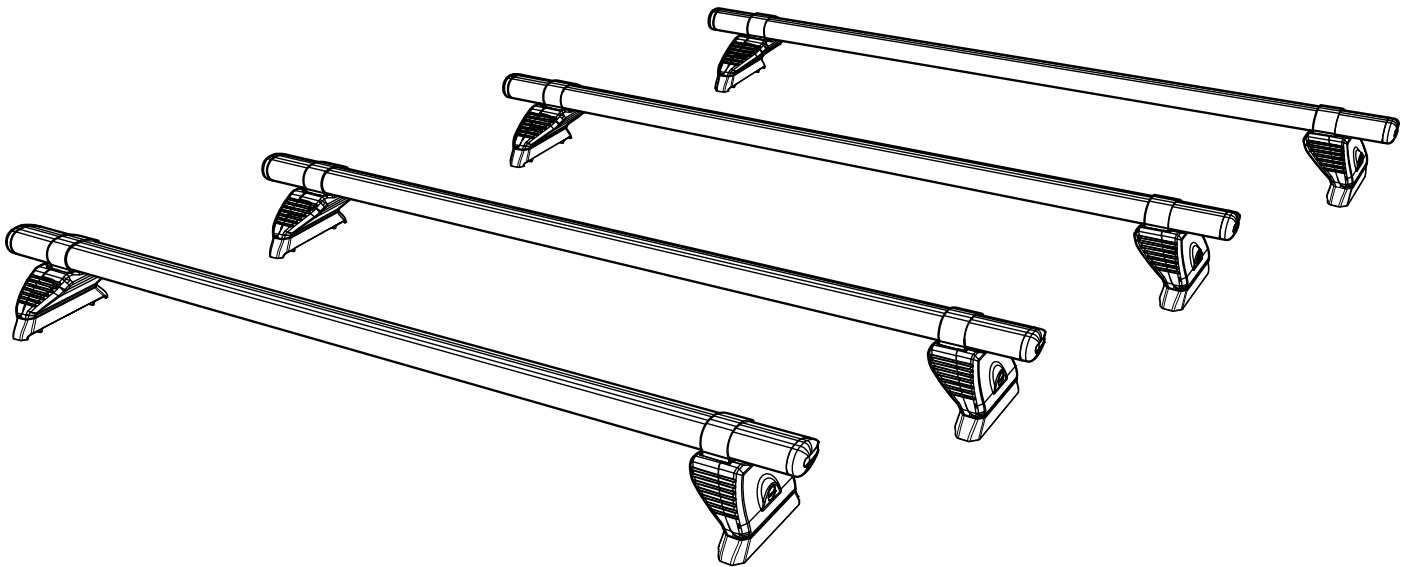


ISSUE:	DRAWN BY:	CHECKED BY:	CRF No:	DATE:	DESCRIPTION:
a	SJ	KB	2758	02/08/22	First Issue
b					
c					
d					
e					
f					
g					
h					
i					
j					
k					
l					
m					

VA4PR/FL

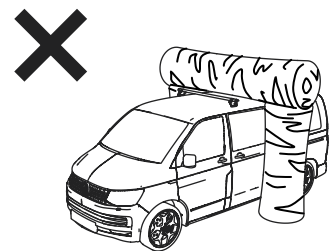
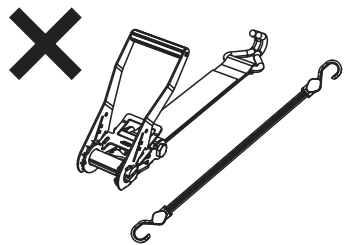
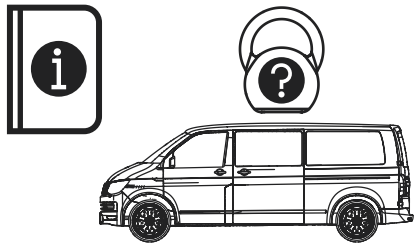
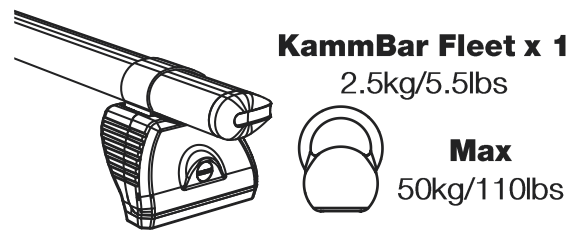
KammBar

Instructions

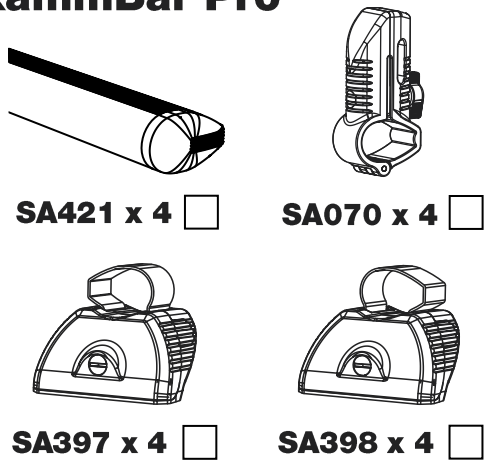


CITY CRASH (✓)

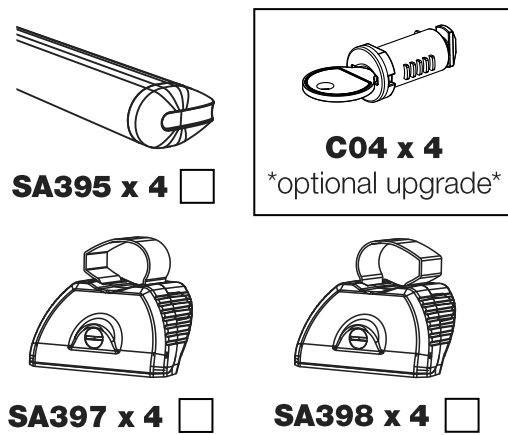
According to ISO/ PAS 11154:2006



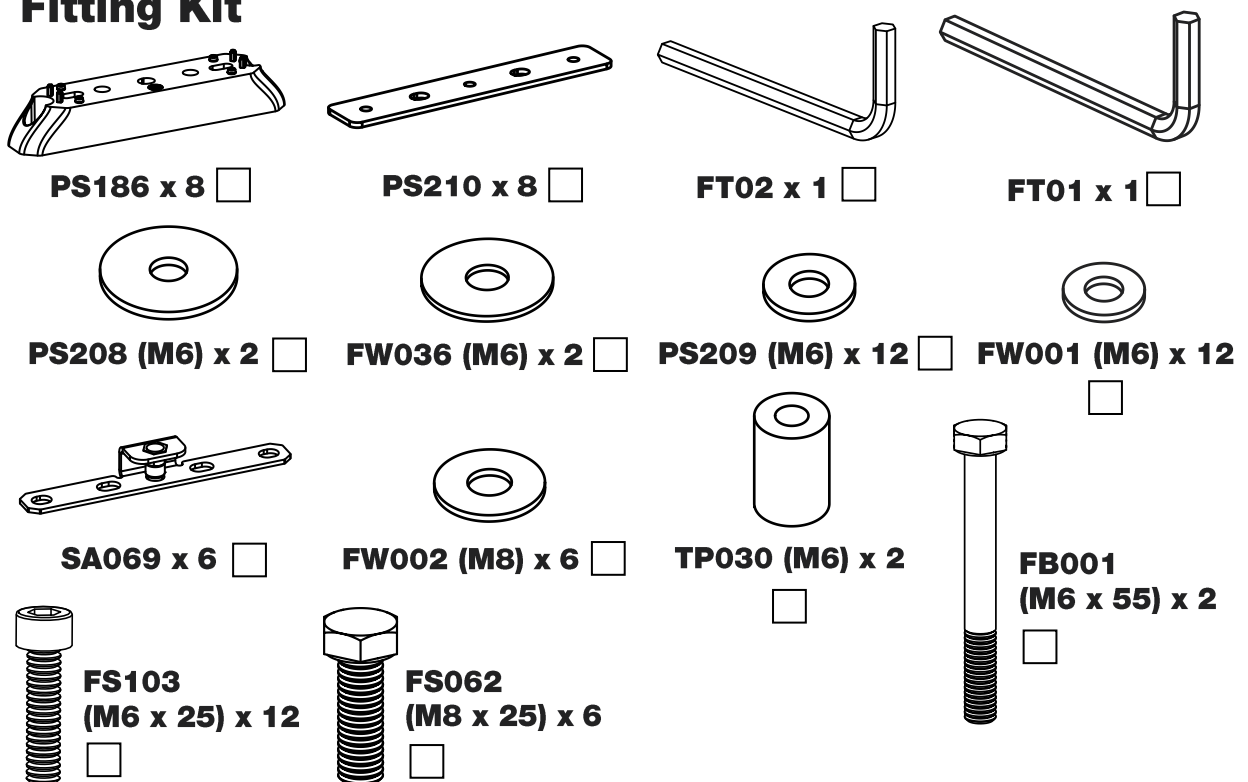
KammBar Pro



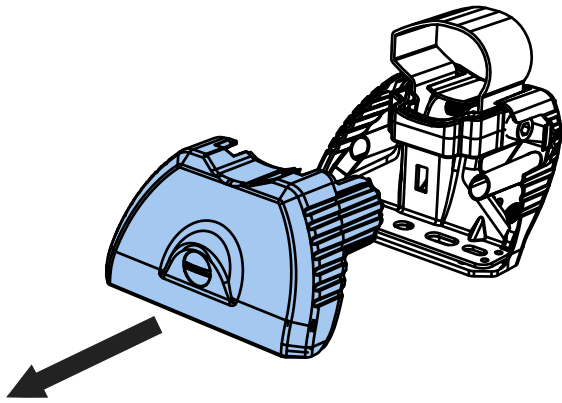
KammBar Fleet



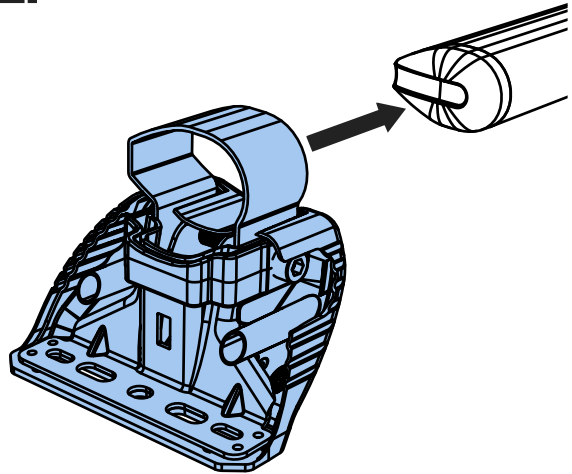
Fitting Kit



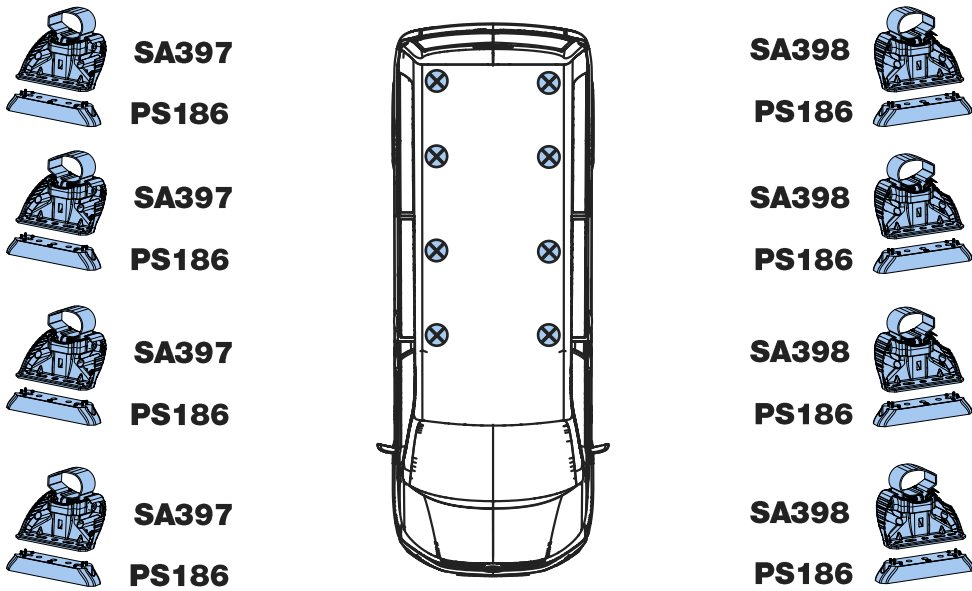
1.



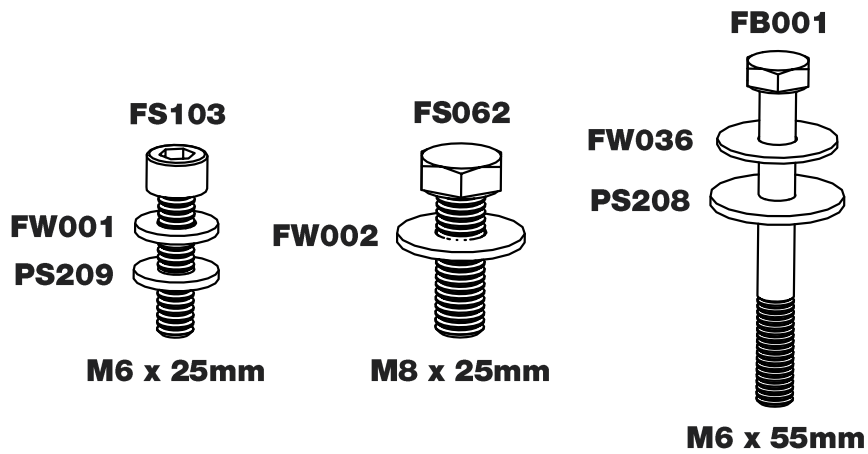
2.



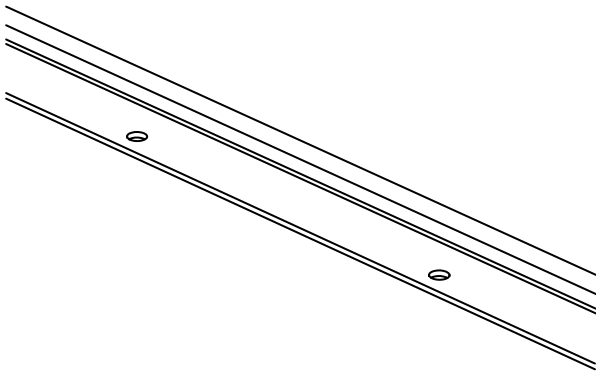
3.



4.

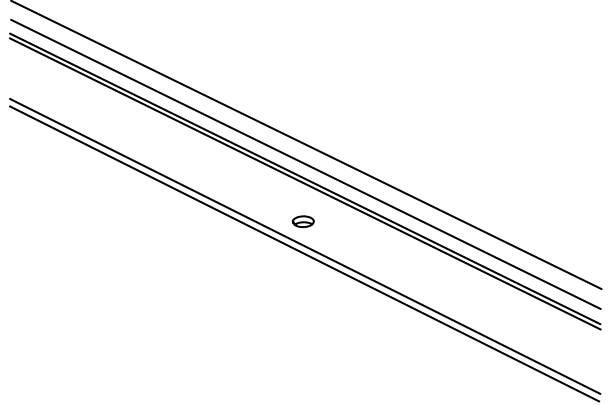


5.



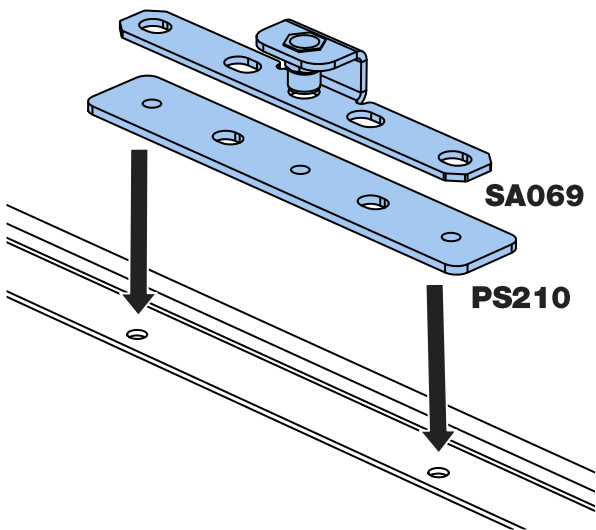
7-13, 17-20.

6.

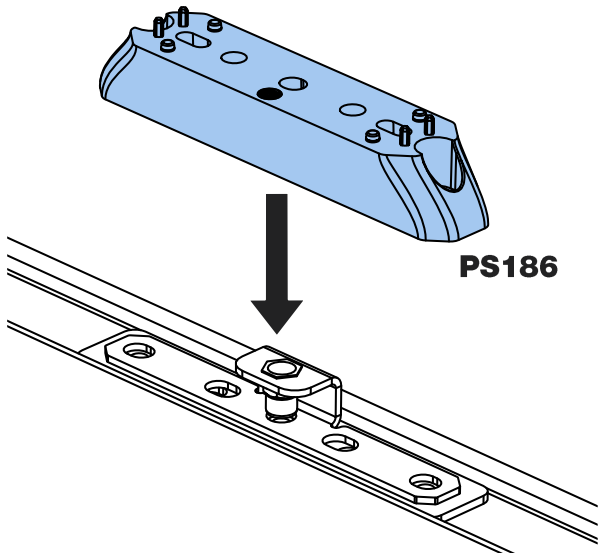


14-20.

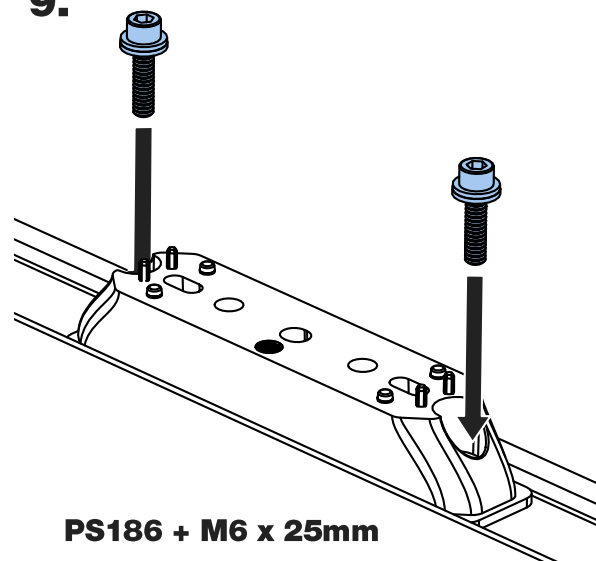
7.



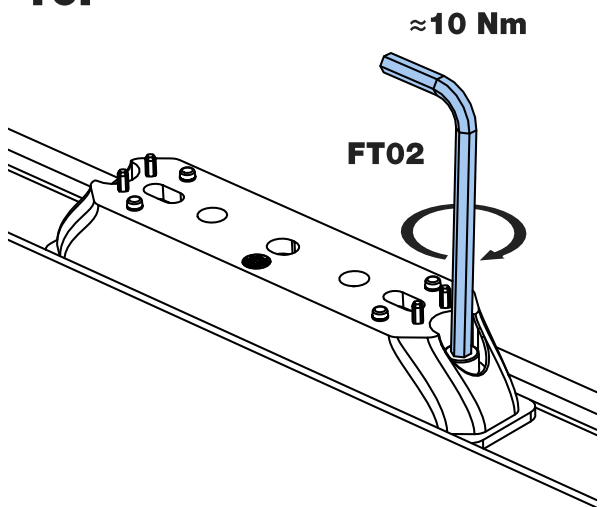
8.



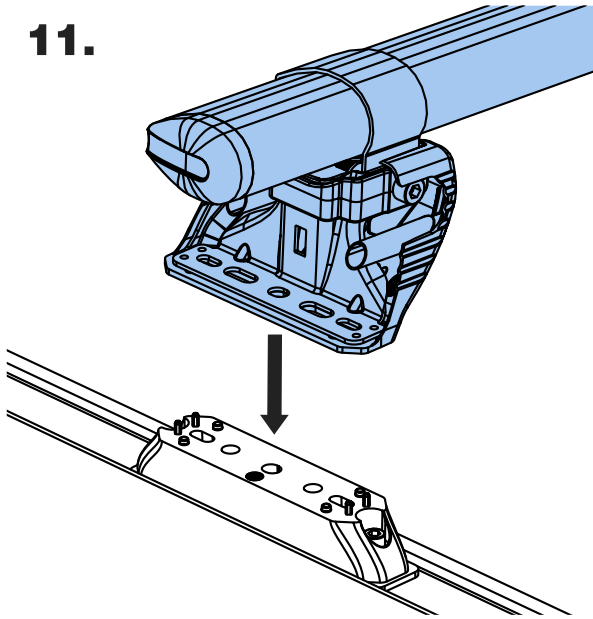
9.



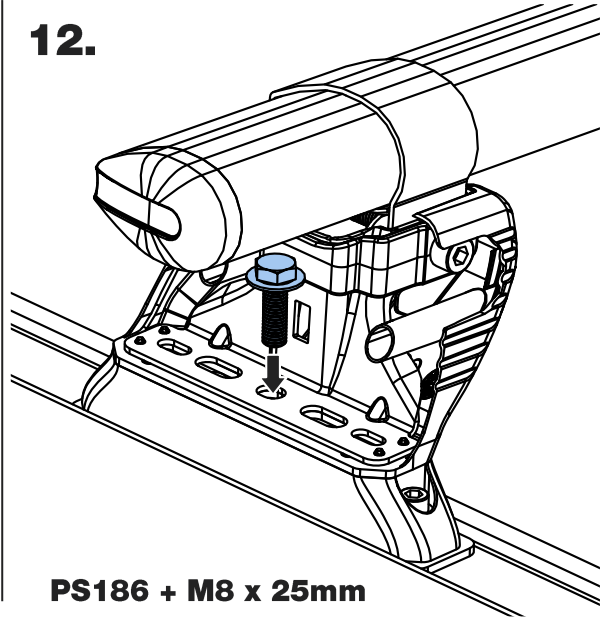
10.



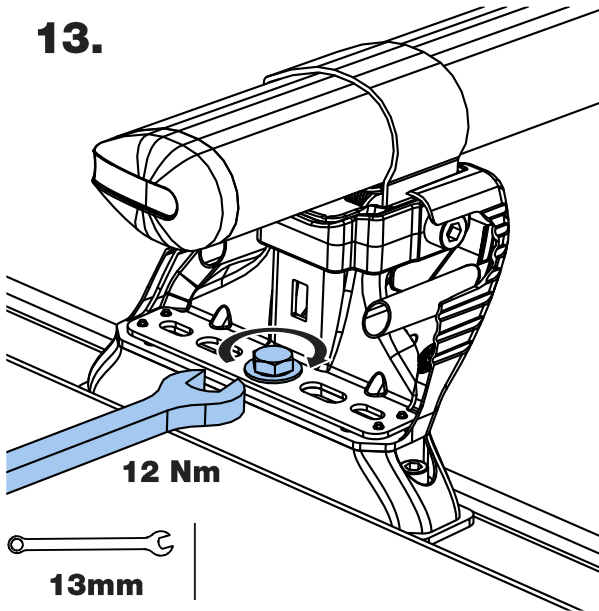
11.



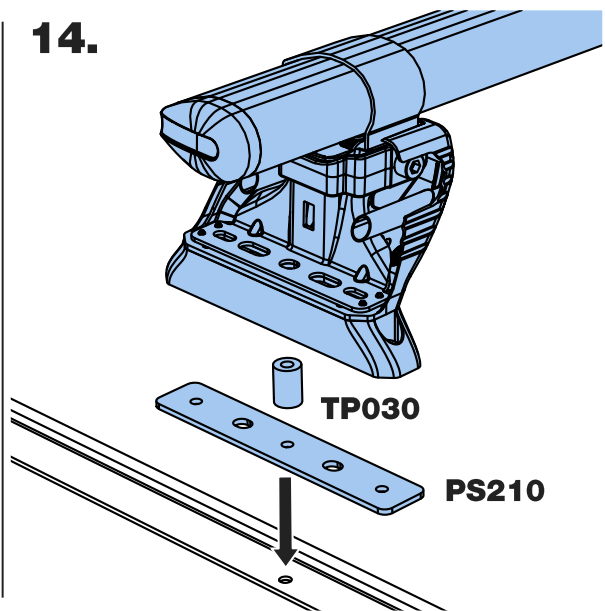
12.



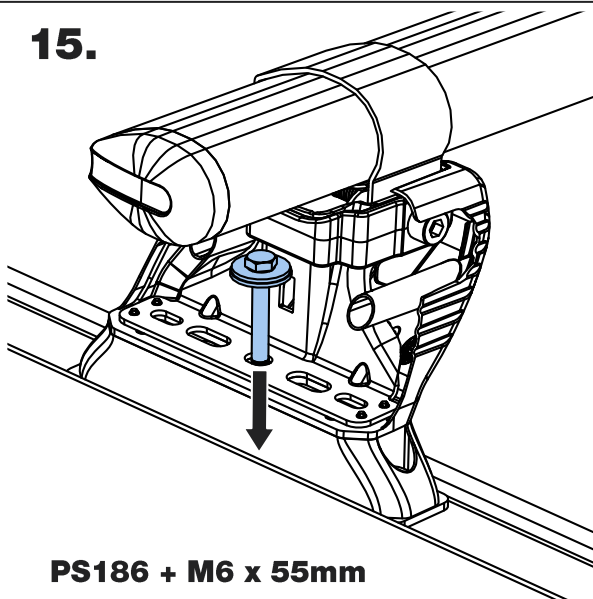
13.



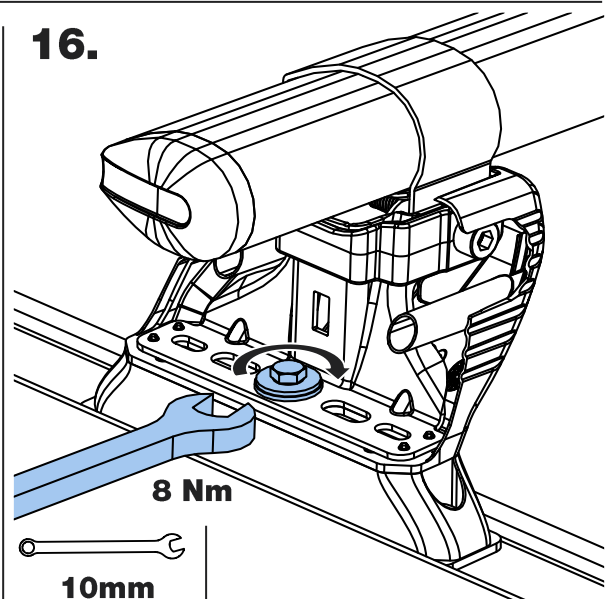
14.



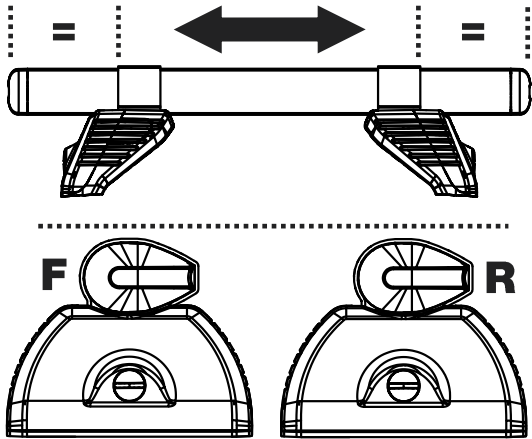
15.



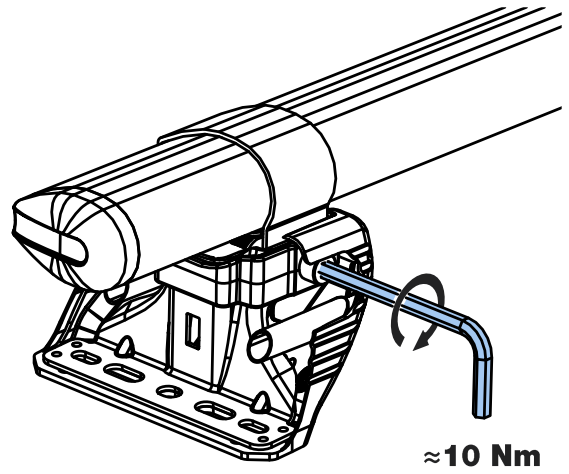
16.



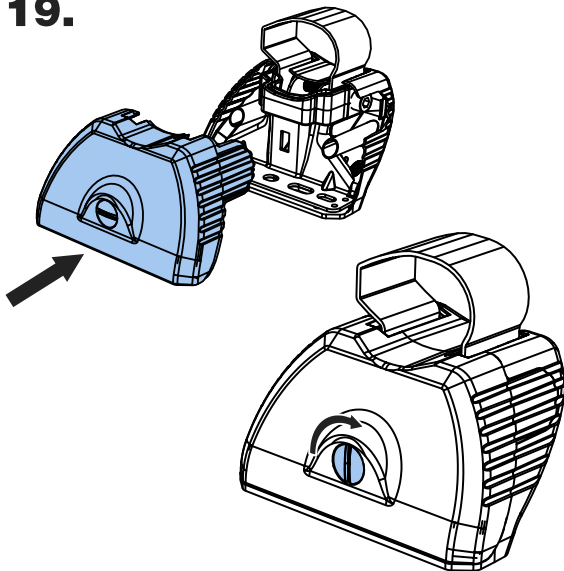
17.



18.



19.



20.

