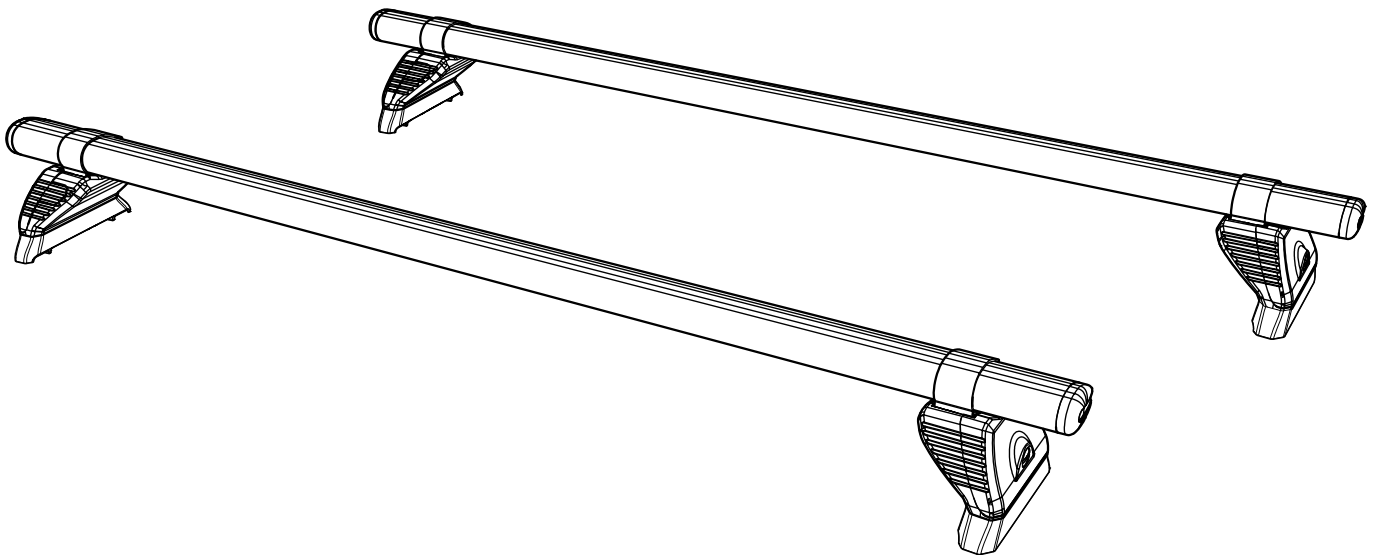


ISSUE:	DRAWN BY:	CHECKED BY:	CRF No:	DATE:	DESCRIPTION:
a	SJ	KB	2758	02/08/22	First Issue
b					
c					
d					
e					
f					
g					
h					
i					
j					
k					
l					
m					

TA2PR/FL

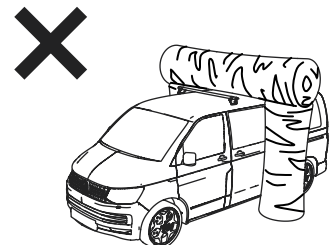
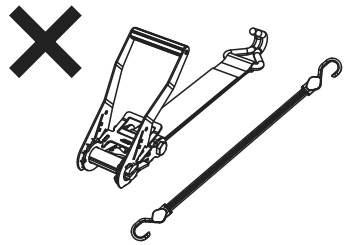
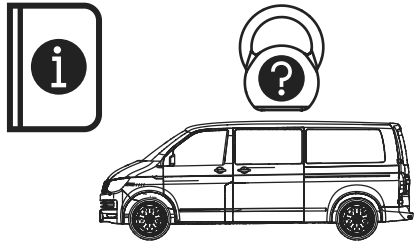
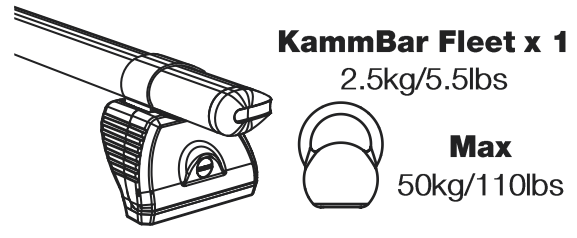
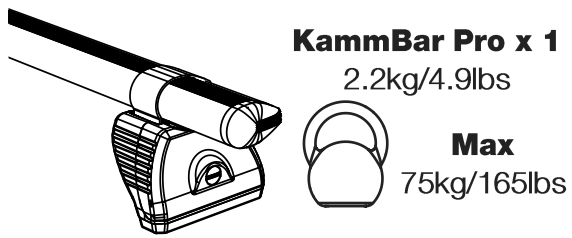
KammBar

Instructions

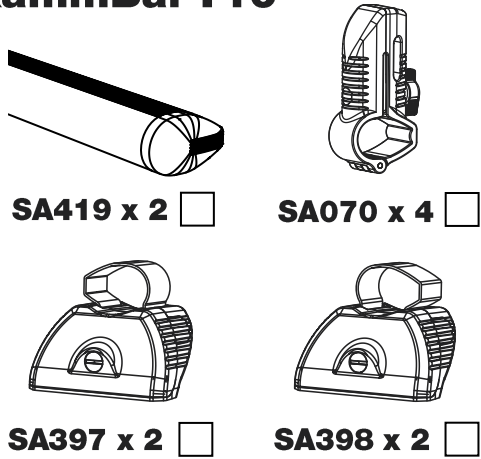


CITY CRASH (✓)

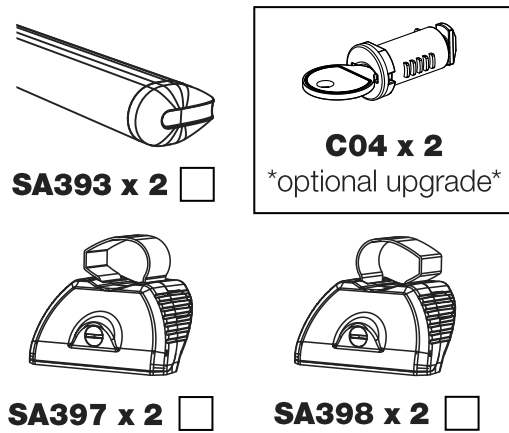
According to ISO/ PAS 11154:2006



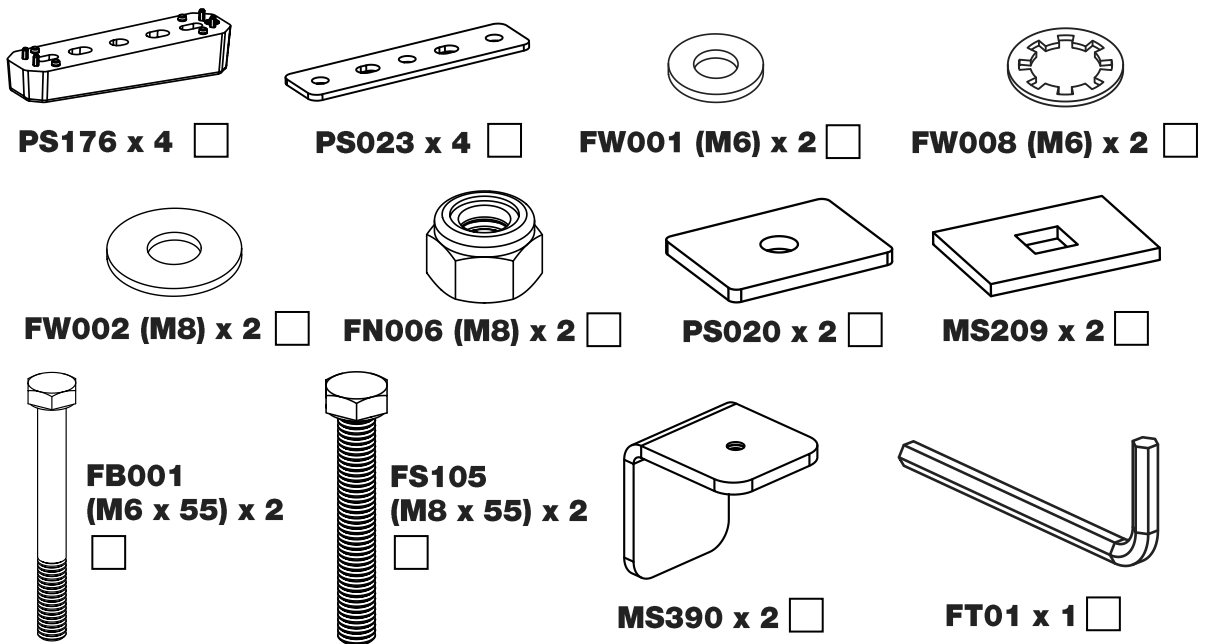
KammBar Pro



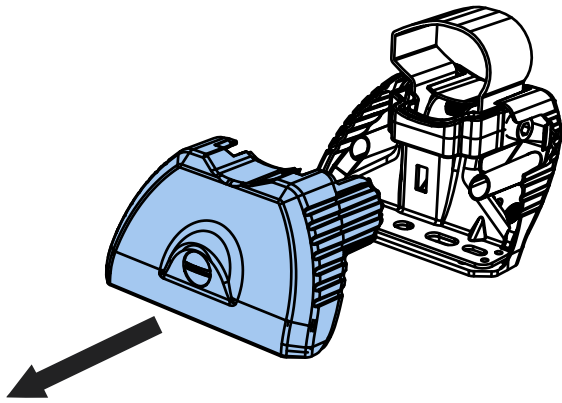
KammBar Fleet



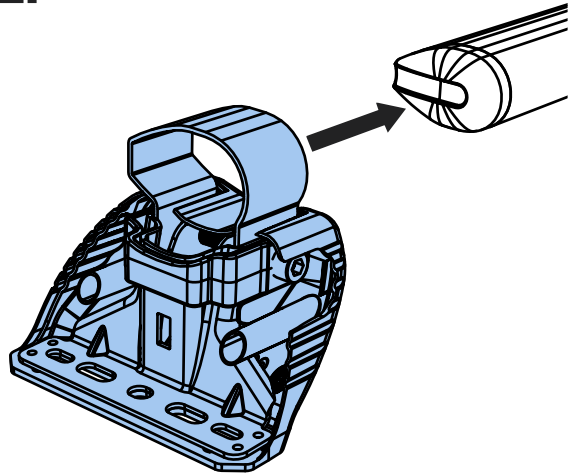
Fitting Kit



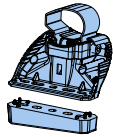
1.



2.



3.

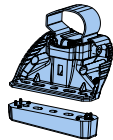
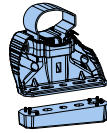


SA397

PS176

SA398

PS176

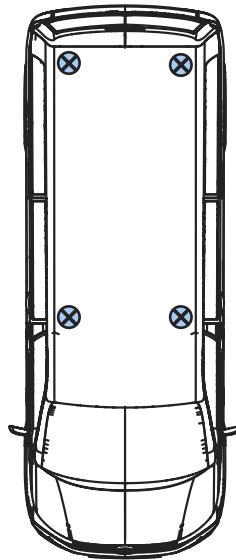
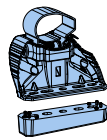


SA397

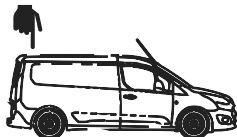
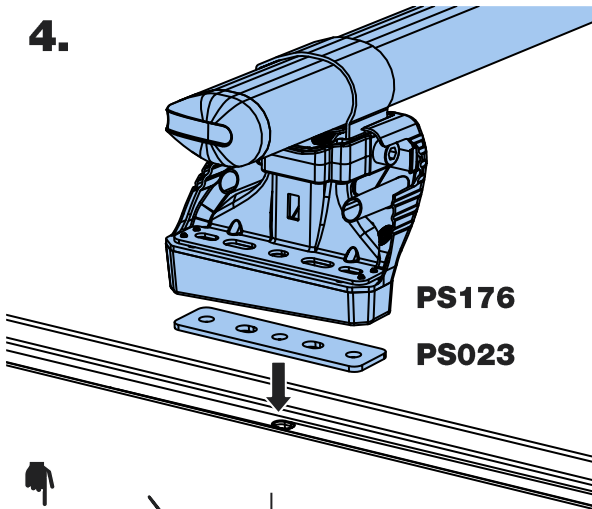
PS176

SA398

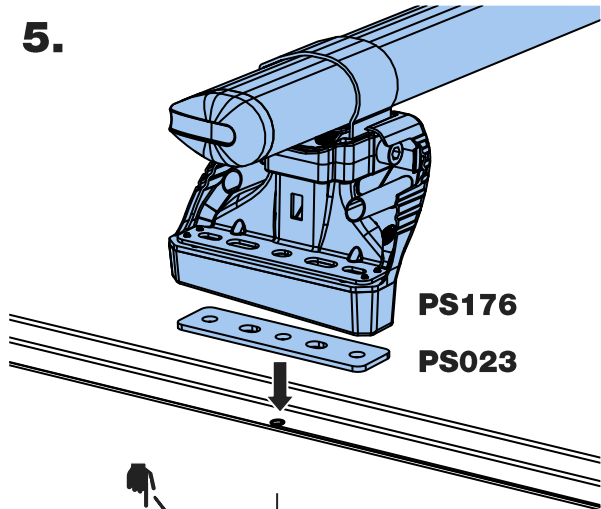
PS176



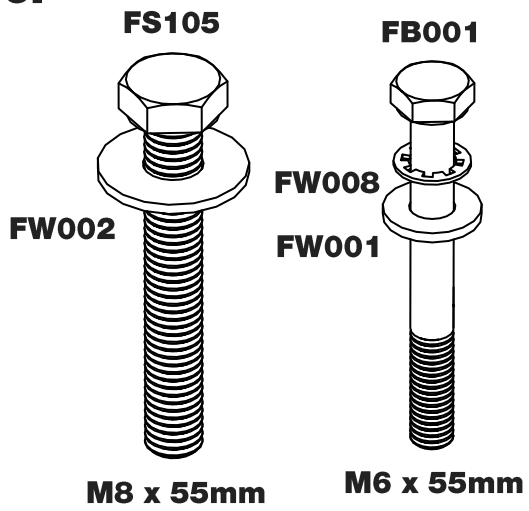
4.



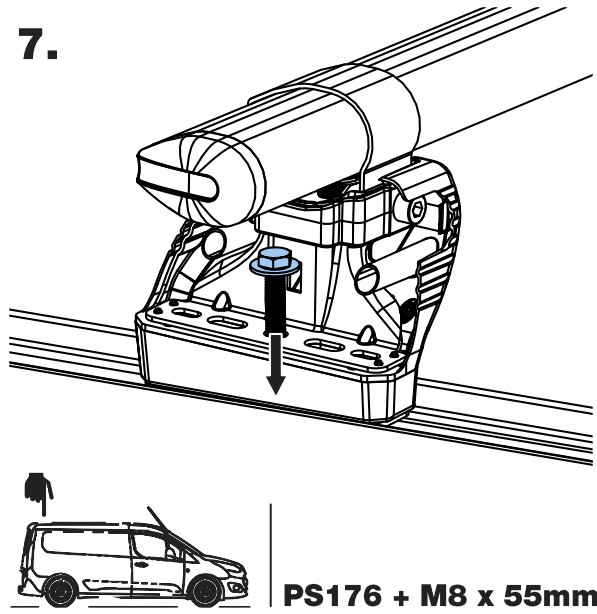
5.



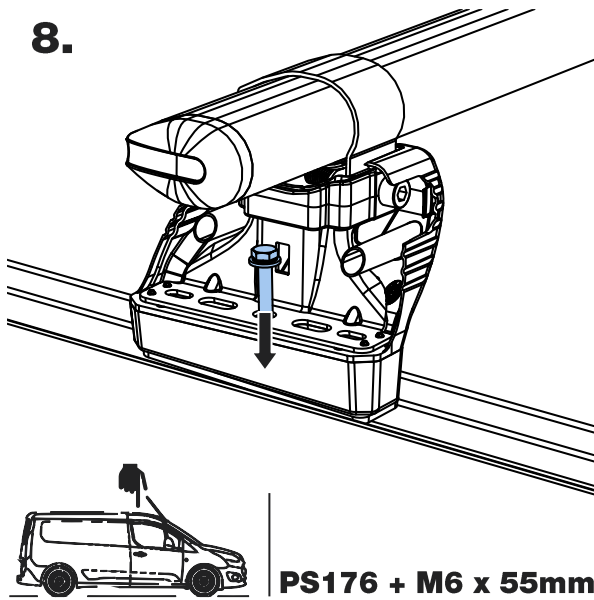
6.



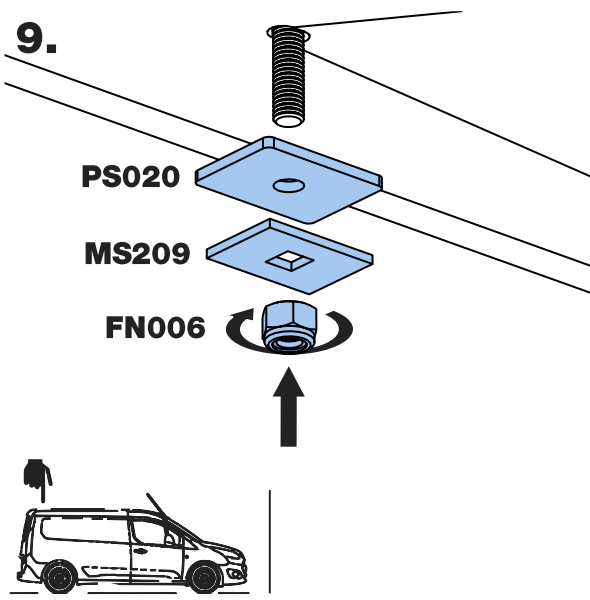
7.



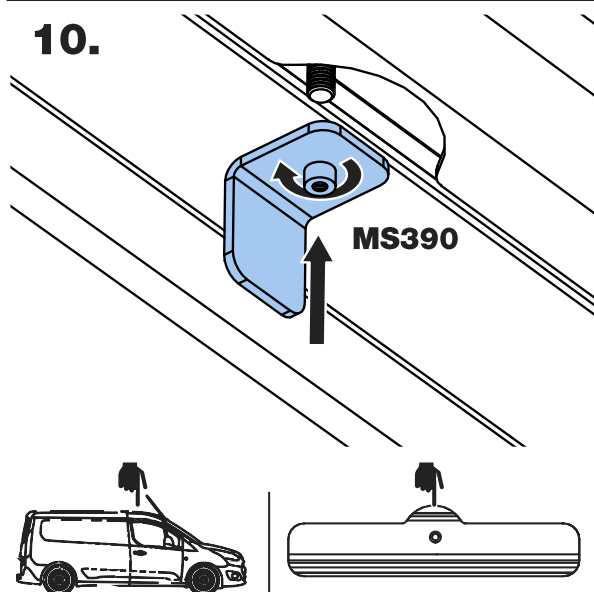
8.



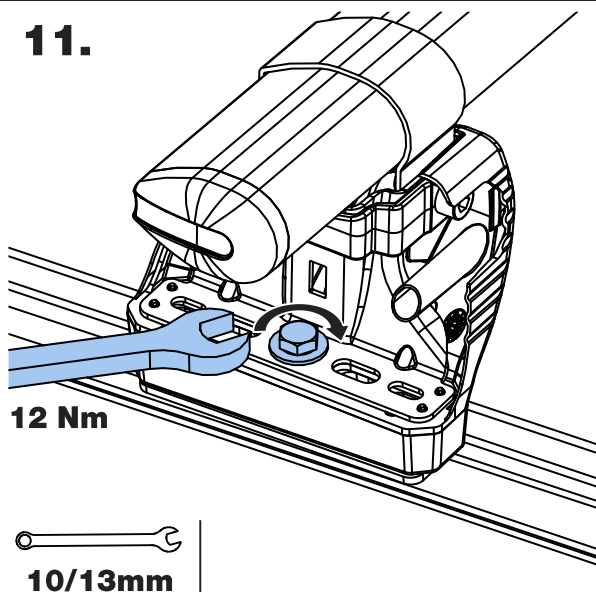
9.



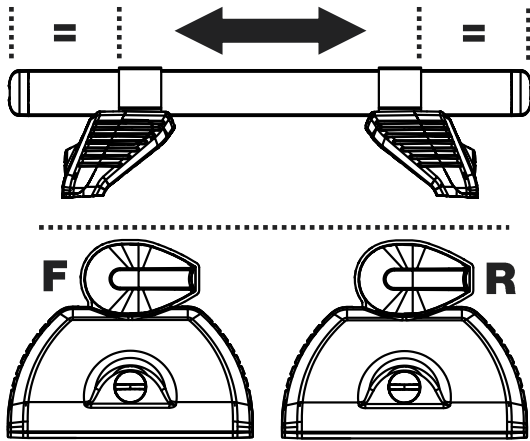
10.



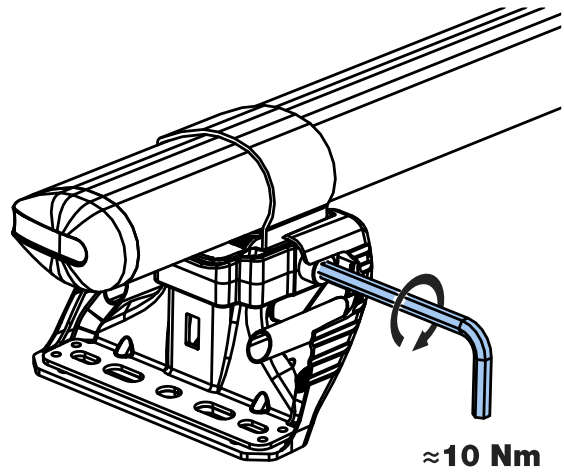
11.



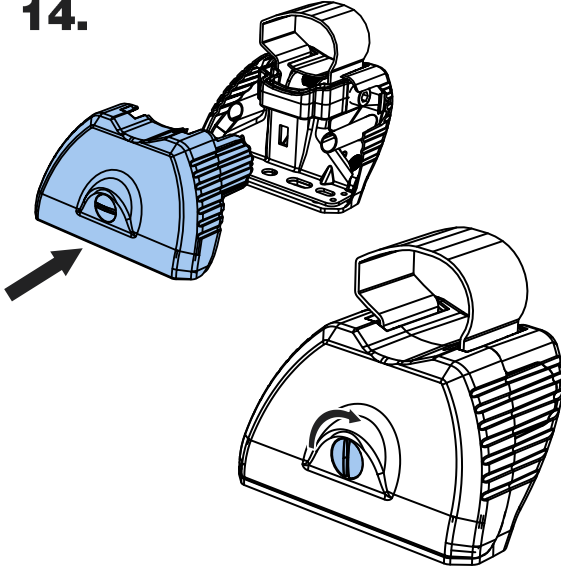
12.



13.



14.



15.

