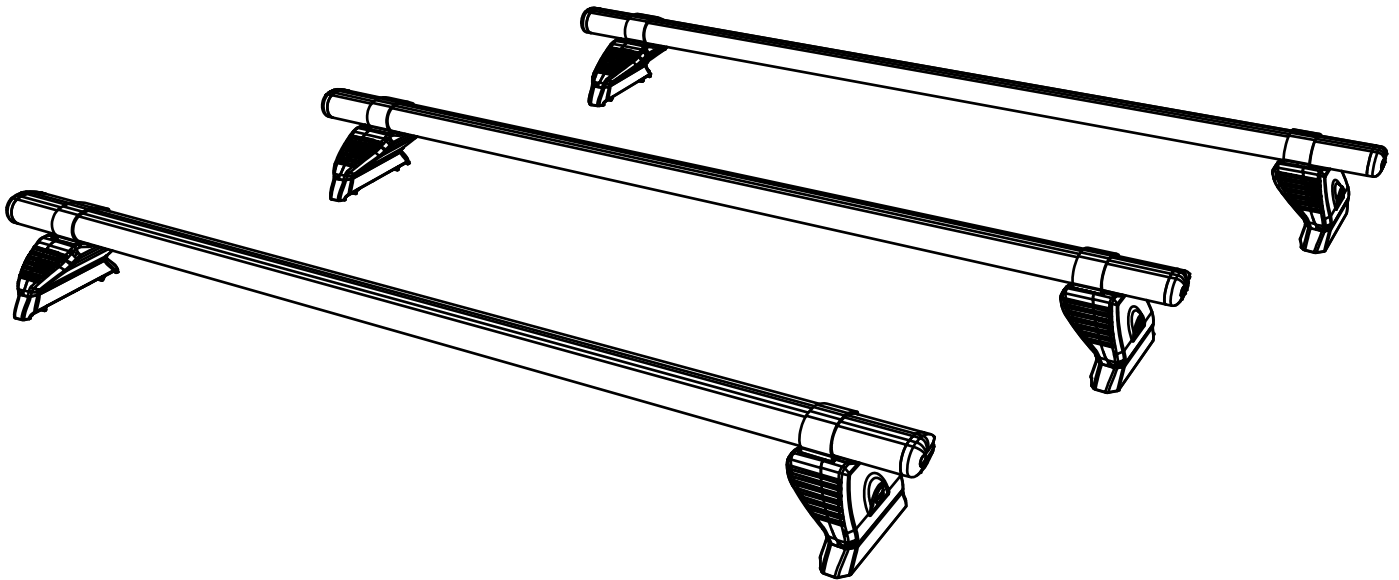


ISSUE:	DRAWN BY:	CHECKED BY:	CRF No:	DATE:	DESCRIPTION:
a	SJ	KB	2758	02/08/22	First Issue
b					
c					
d					
e					
f					
g					
h					
i					
j					
k					
l					
m					

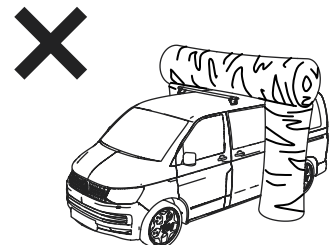
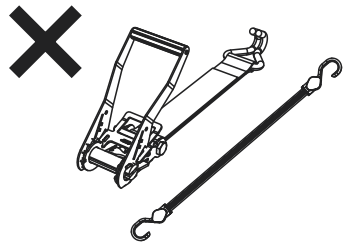
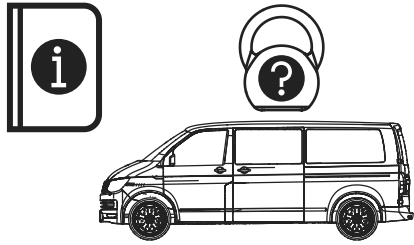
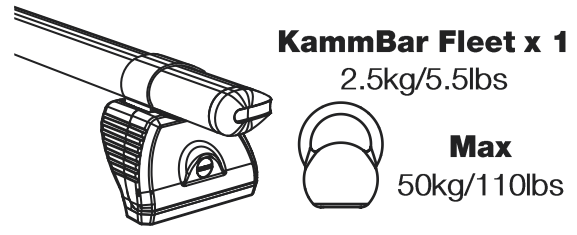
TB3PR/FL KammBar

Instructions

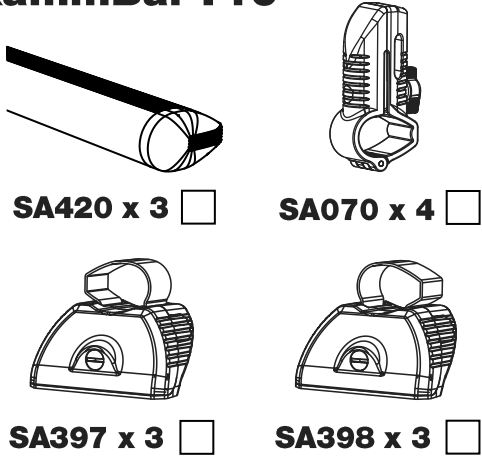


CITY CRASH (✓)

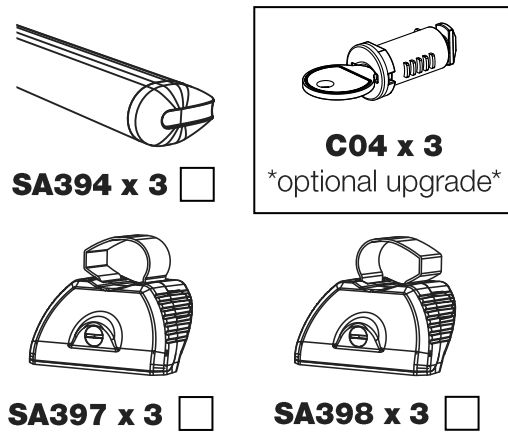
According to ISO/ PAS 11154:2006



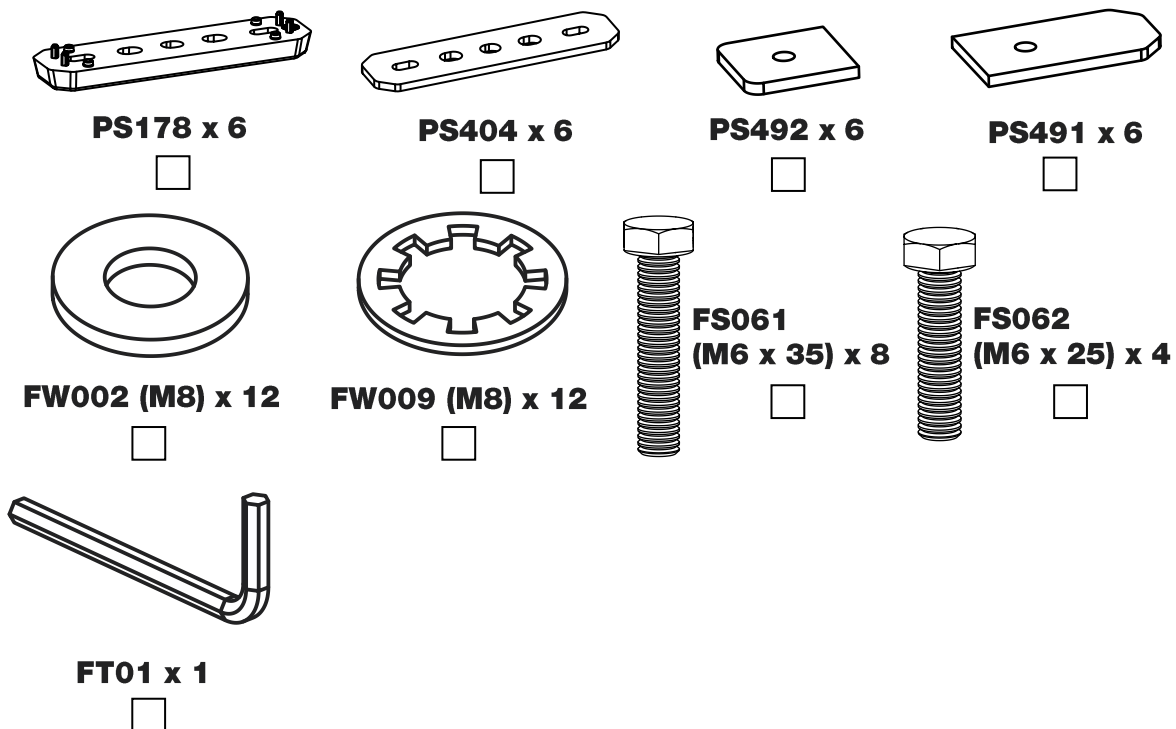
KammBar Pro



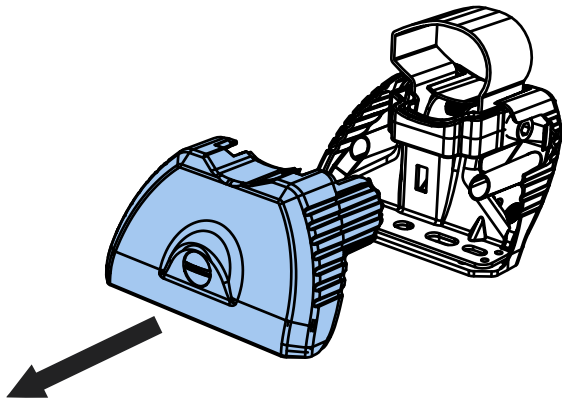
KammBar Fleet



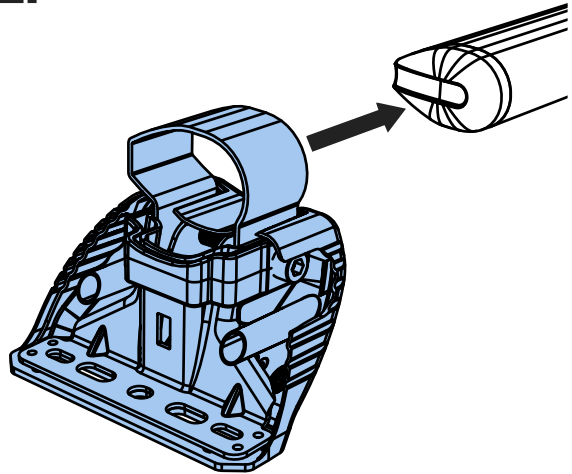
Fitting Kit



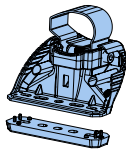
1.



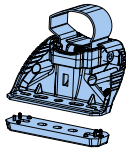
2.



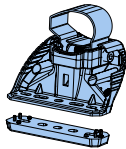
3.



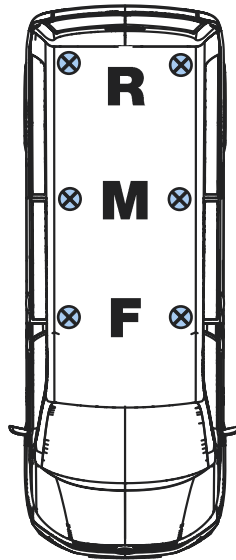
SA397
PS178



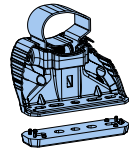
SA397
PS178



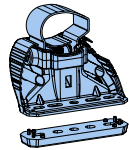
SA397
PS178



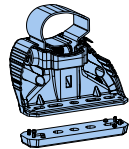
SA398
PS178



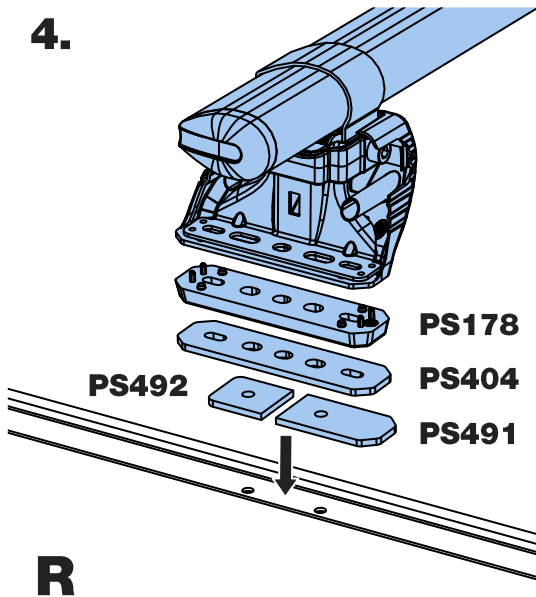
SA398
PS178



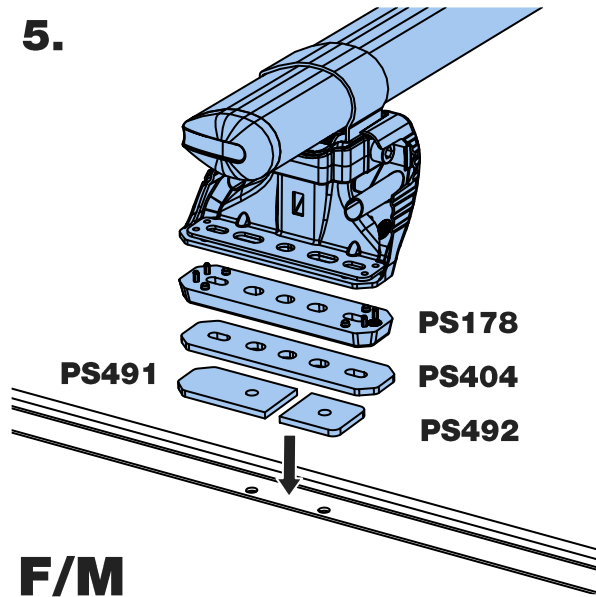
SA398
PS178



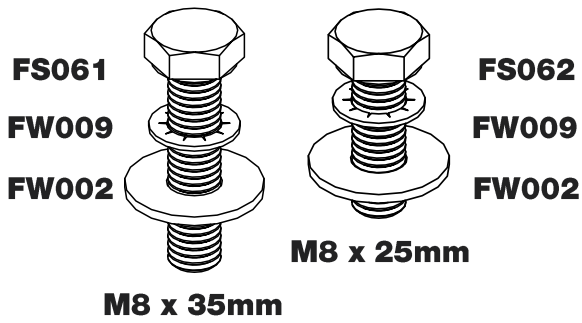
4.



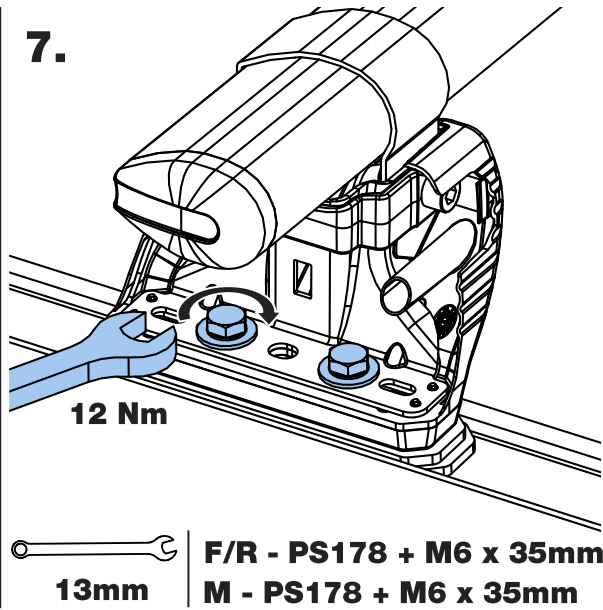
5.



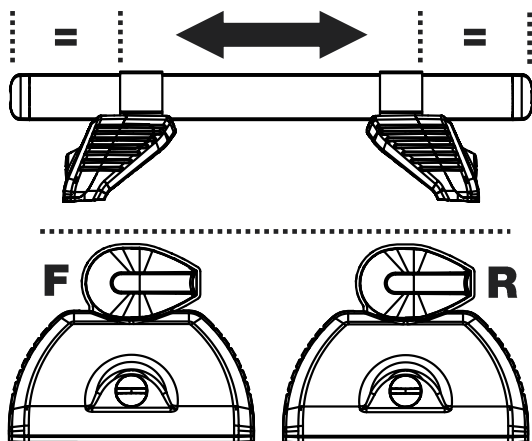
6.



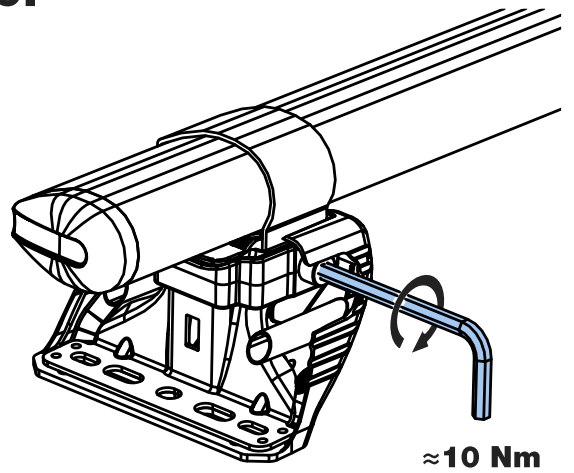
7.



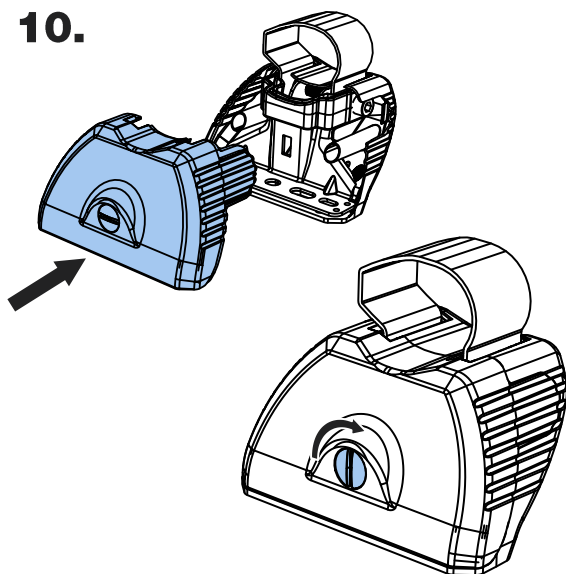
8.



9.



10.



11.

