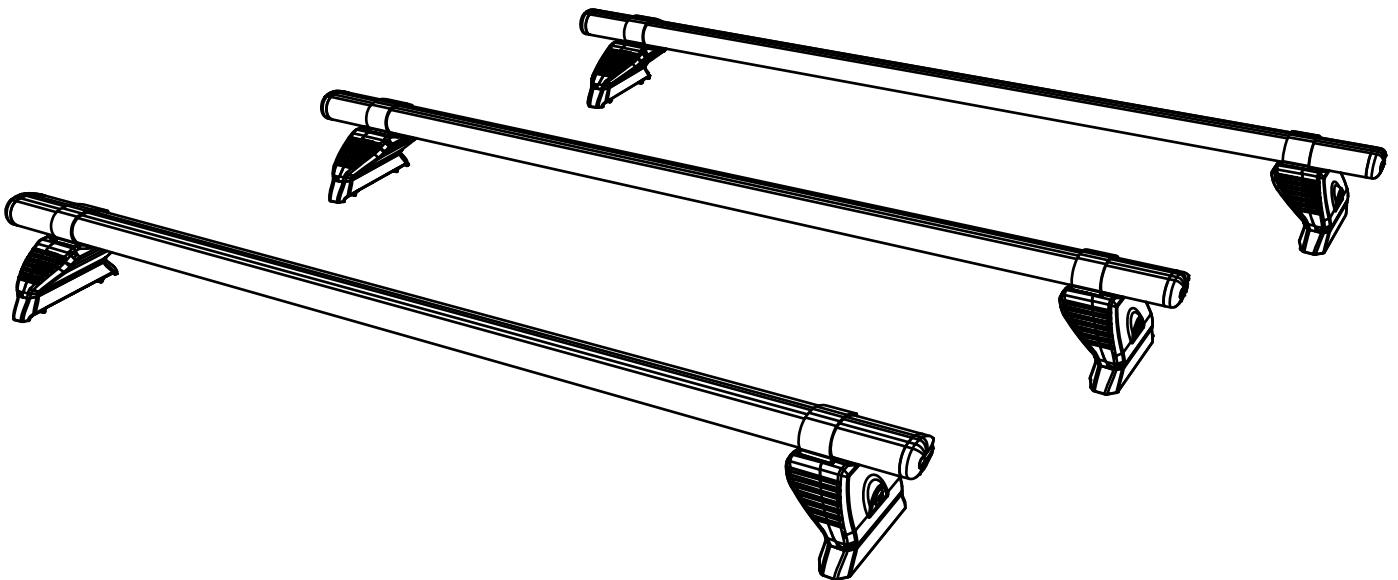


<b>ISSUE:</b>	<b>DRAWN BY:</b>	<b>CHECKED BY:</b>	<b>CRF No:</b>	<b>DATE:</b>	<b>DESCRIPTION:</b>
a	SJ	KB	2758	02/08/22	First Issue
b					
c					
d					
e					
f					
g					
h					
i					
j					
k					
l					
m					

# VC3PR/FL

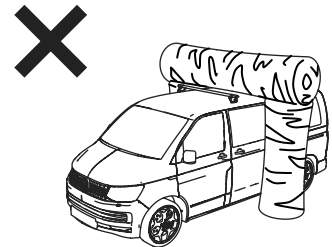
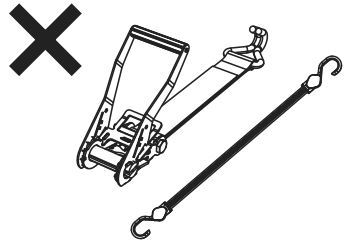
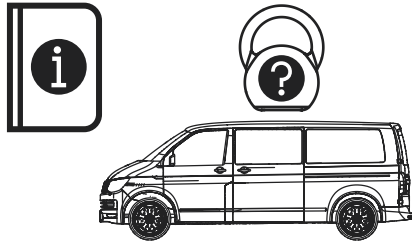
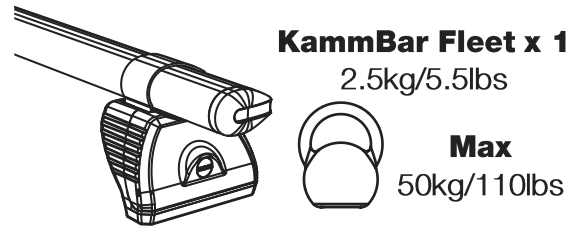
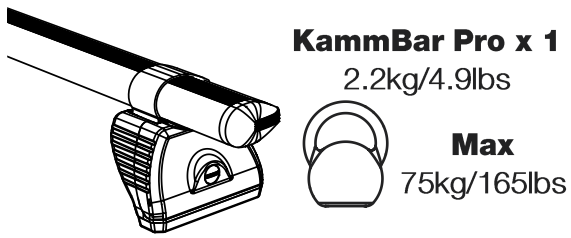
# KammBar

## Instructions

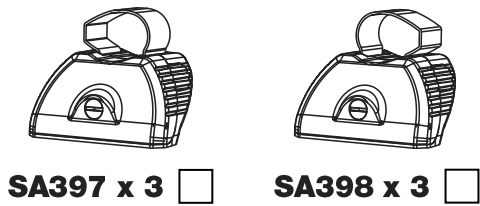
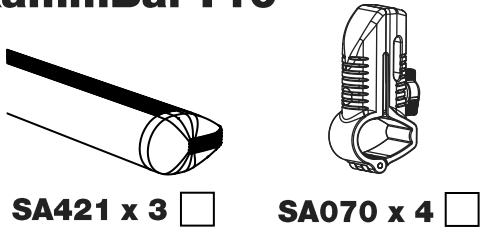


**CITY CRASH** (✓)

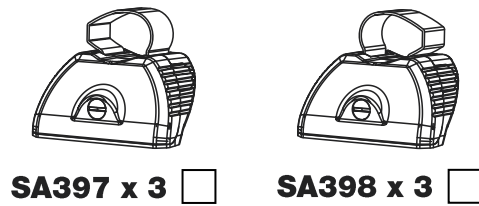
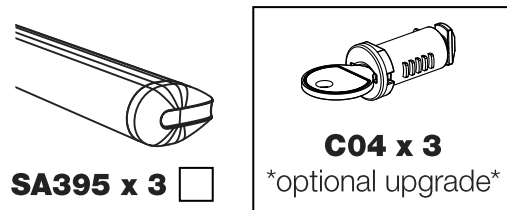
According to ISO/ PAS 11154:2006



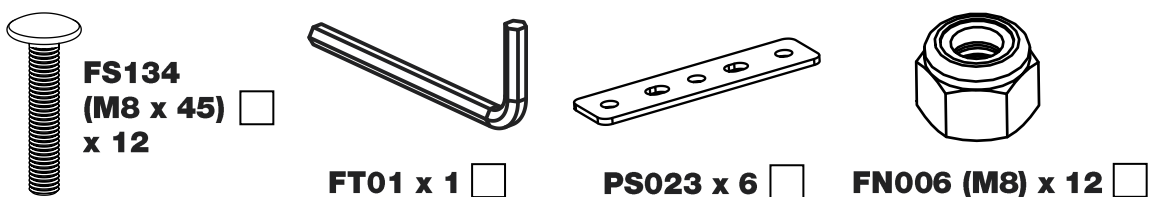
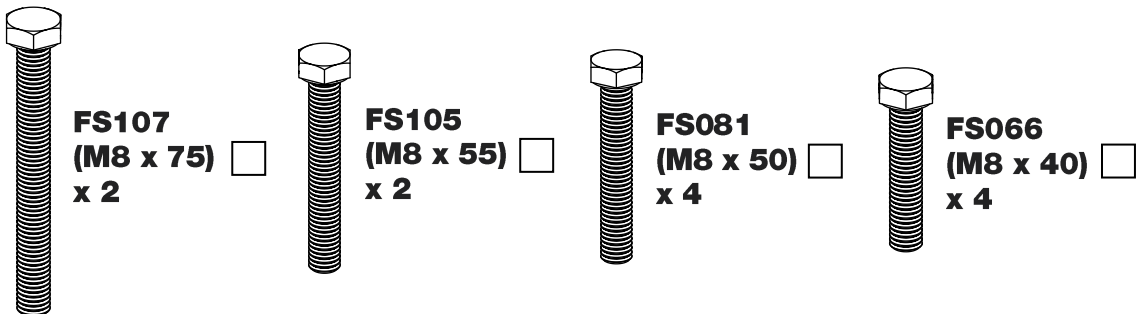
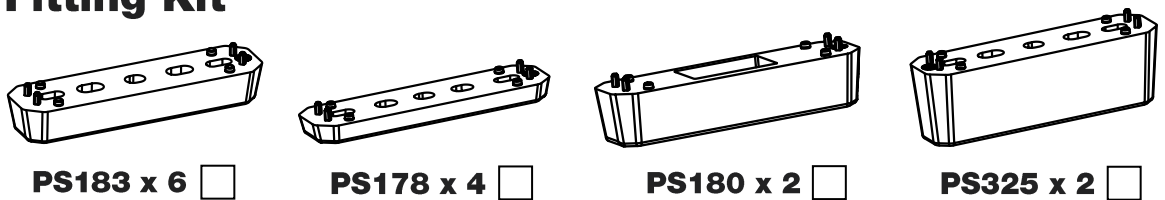
### KammBar Pro

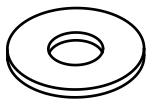


### KammBar Fleet

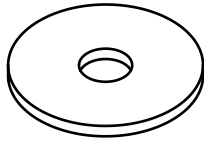


### Fitting Kit





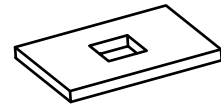
**FW002 (M8) x 12**



**PS208 (M8) x 6**



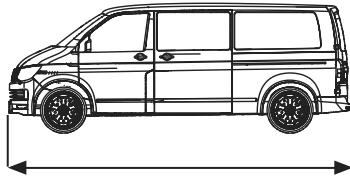
**PS020 (M8) x 6**



**MS209 (M8) x 12**

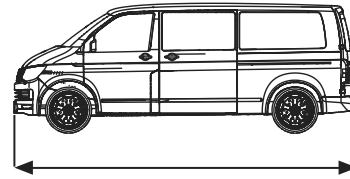


**L3 = B**



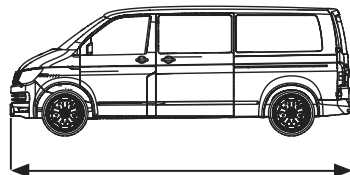
**5986mm**

**L3 (T-Track) = C**



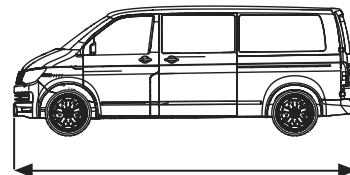
**5986mm**

**L4 = A**



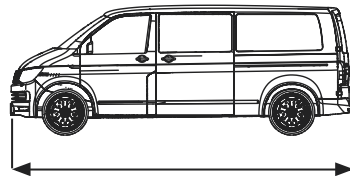
**6850mm**

**L4 (T-Track) = C**



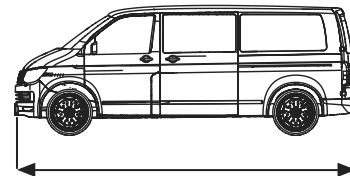
**6850mm**

**L5 = A**



**7391mm**

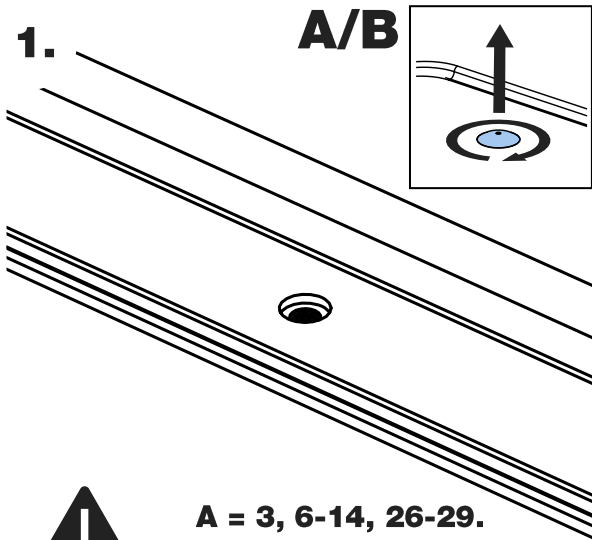
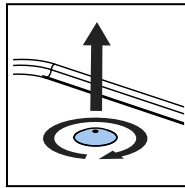
**L5 (T-Track) = C**



**7391mm**

**1.**

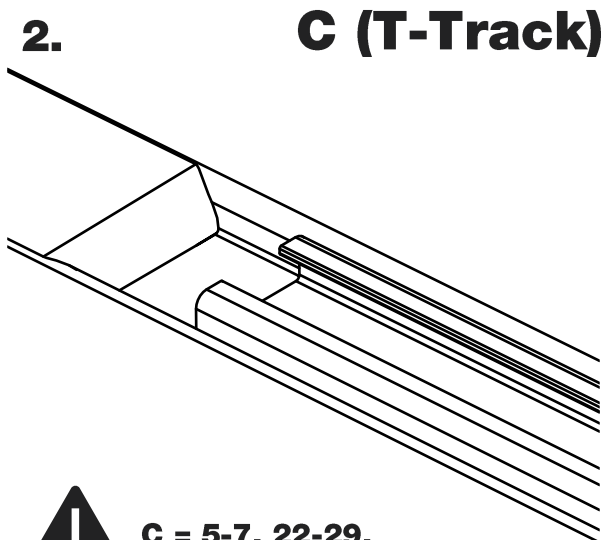
**A/B**



**A = 3, 6-14, 26-29.  
B = 4, 6-7, 15-21, 26-29.**

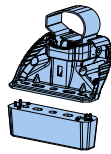
**2.**

**C (T-Track)**



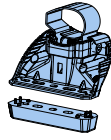
**C = 5-7, 22-29.**

**3.**



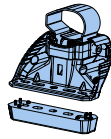
**SA397**

**PS325**



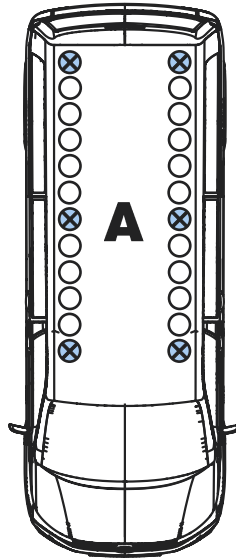
**SA397**

**PS183**

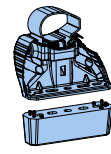


**SA397**

**PS183**

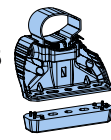


**SA398**



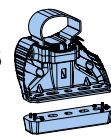
**PS325**

**SA398**



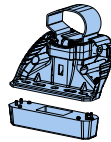
**PS183**

**SA398**



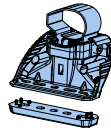
**PS183**

**4.**



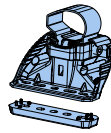
**SA397**

**PS180**



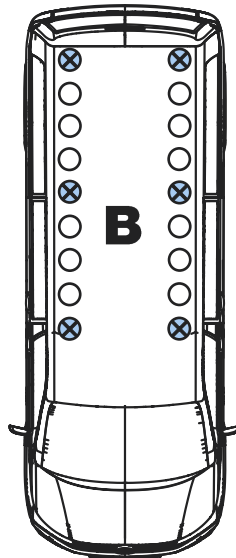
**SA397**

**PS178**

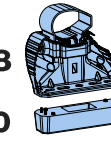


**SA397**

**PS178**

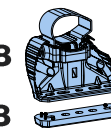


**SA398**



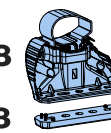
**PS180**

**SA398**



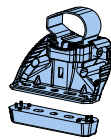
**PS178**

**SA398**



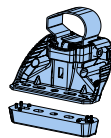
**PS178**

**5.**



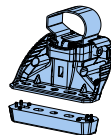
**SA397**

**PS183**



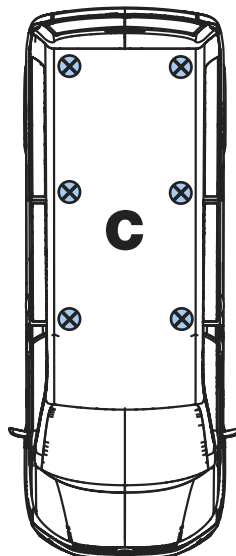
**SA397**

**PS183**

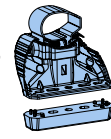


**SA397**

**PS183**

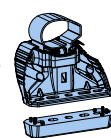


**SA398**



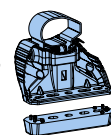
**PS183**

**SA398**



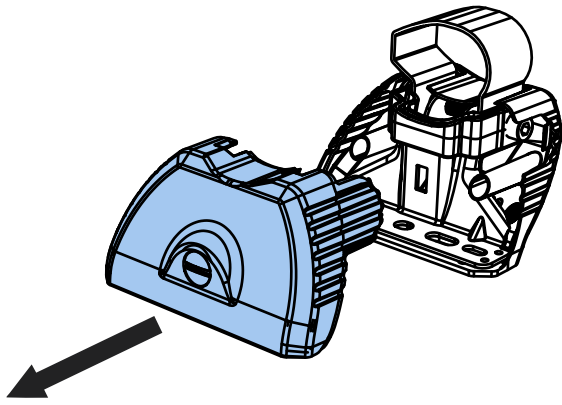
**PS183**

**SA398**

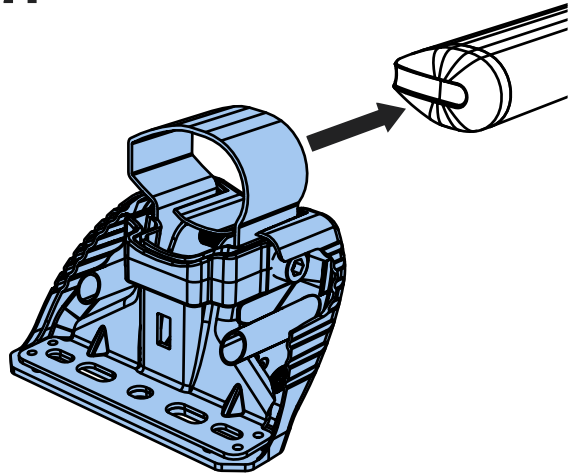


**PS183**

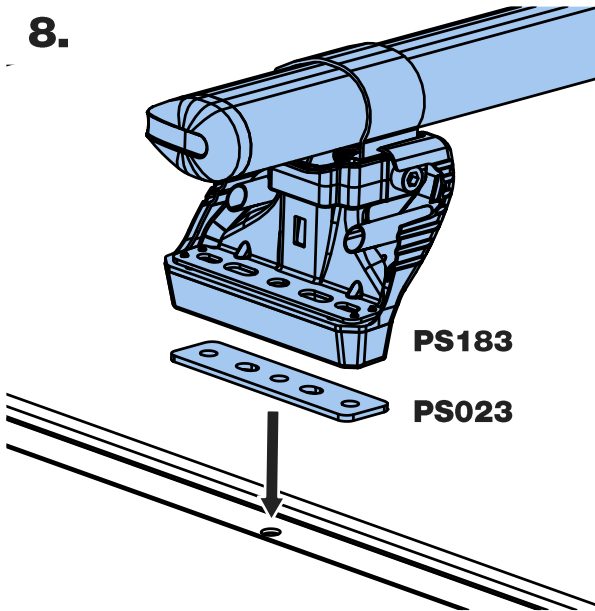
6.



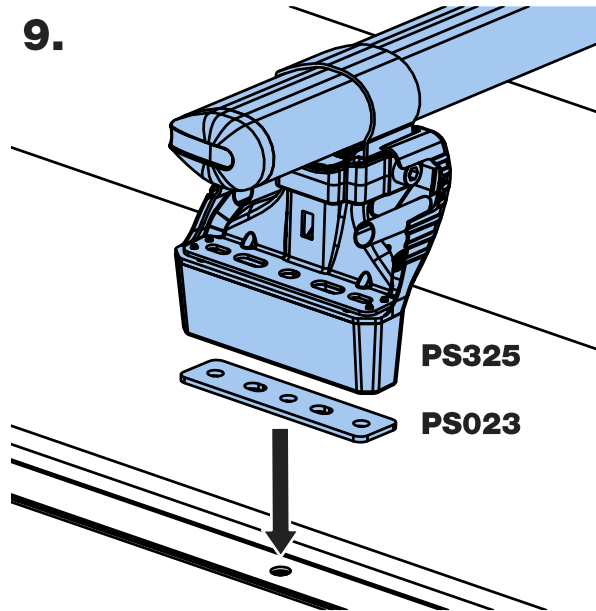
7.



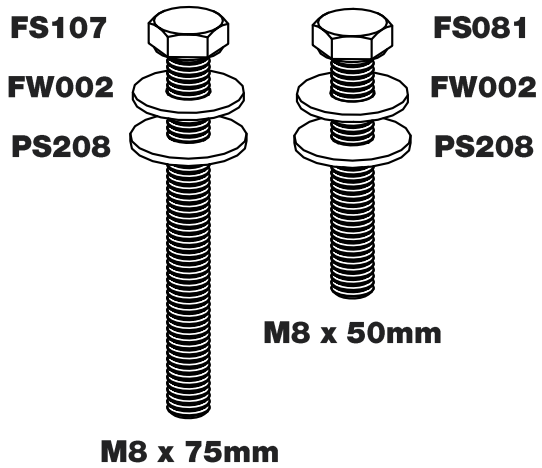
8.



9.



10.



11.

