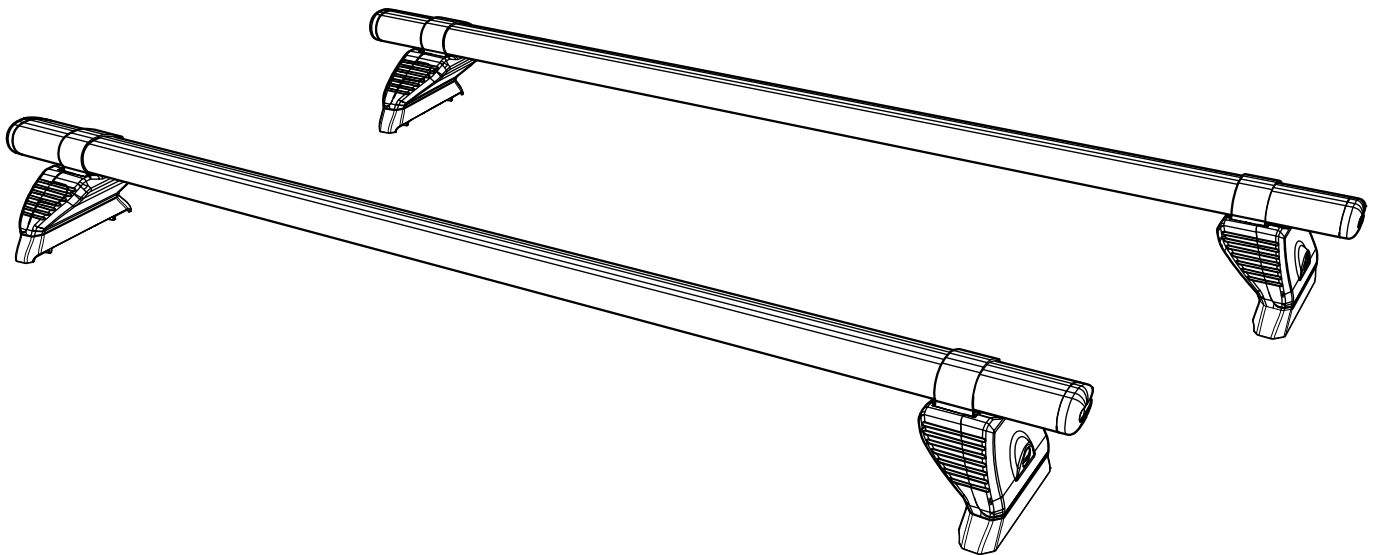


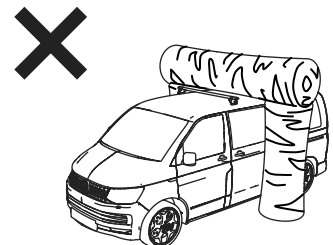
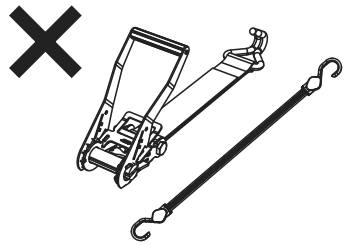
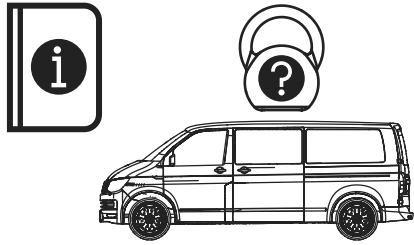
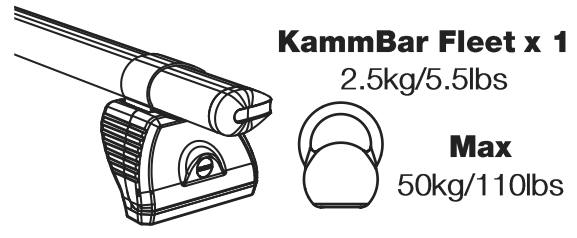
<b>ISSUE:</b>	<b>DRAWN BY:</b>	<b>CHECKED BY:</b>	<b>CRF No:</b>	<b>DATE:</b>	<b>DESCRIPTION:</b>
a	SJ	KB	2758	02/08/22	First Issue
b					
c					
d					
e					
f					
g					
h					
i					
j					
k					
l					
m					

# P2PR/FL KammBar Instructions

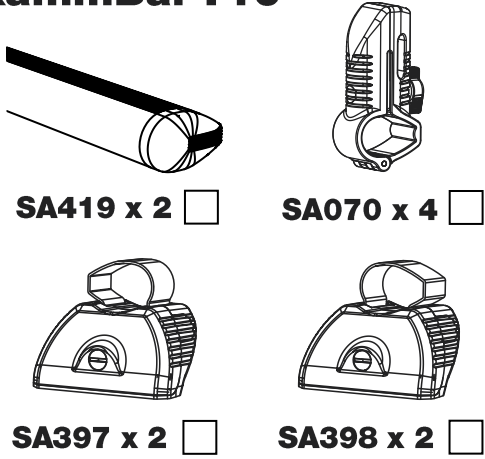


**CITY CRASH** (✓)

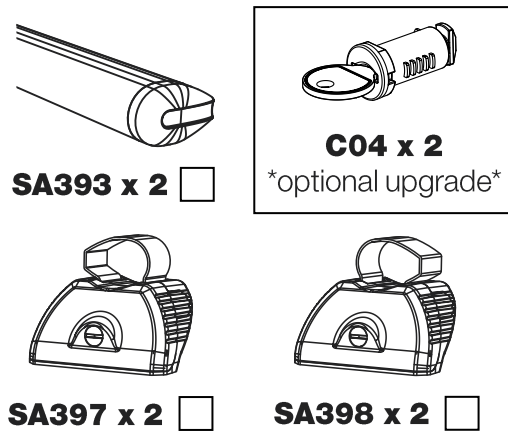
According to ISO/ PAS 11154:2006



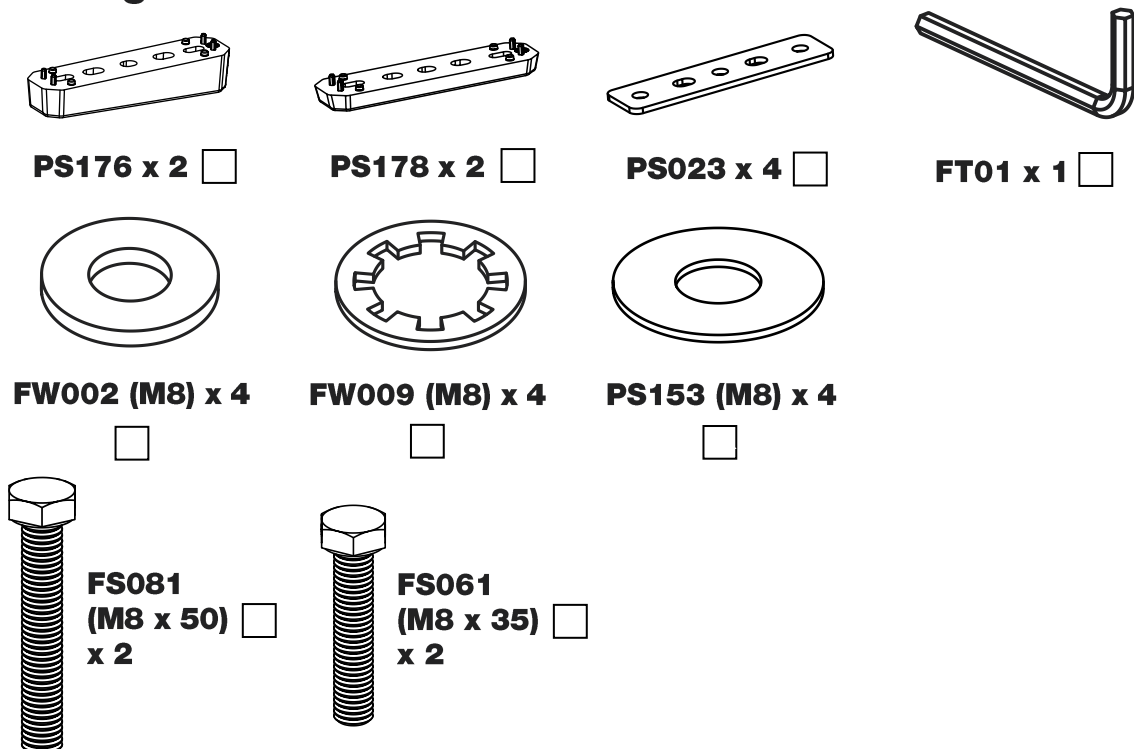
### KammBar Pro



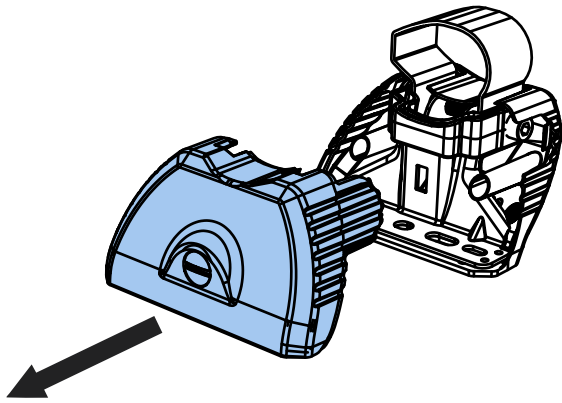
### KammBar Fleet



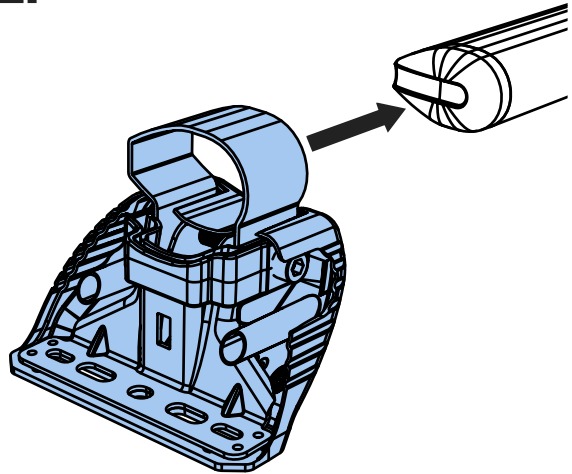
### Fitting Kit



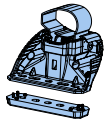
1.



2.

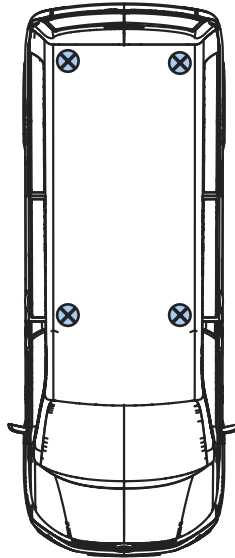


3.



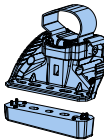
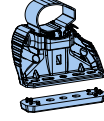
SA397

PS178



SA398

PS178

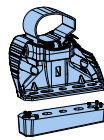


SA397

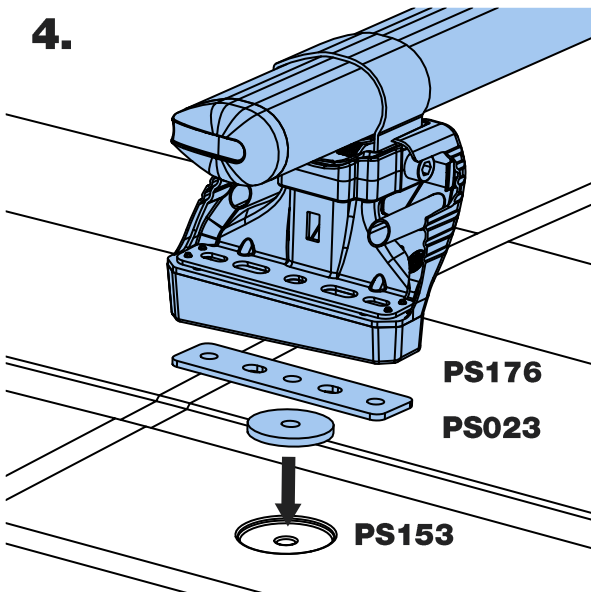
PS176

SA398

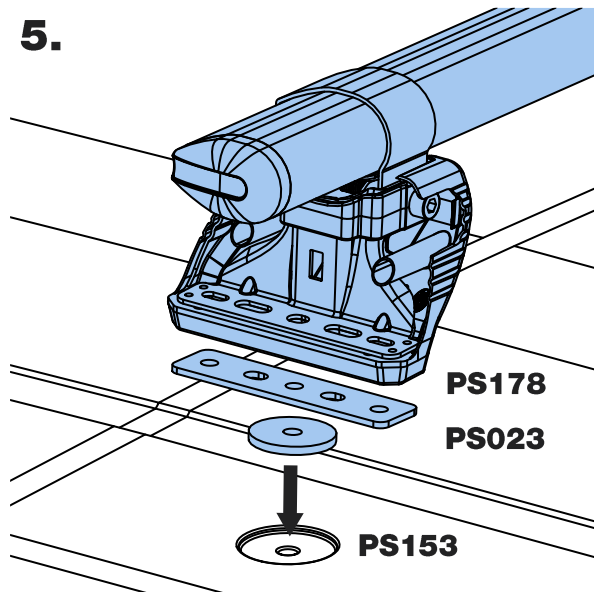
PS176



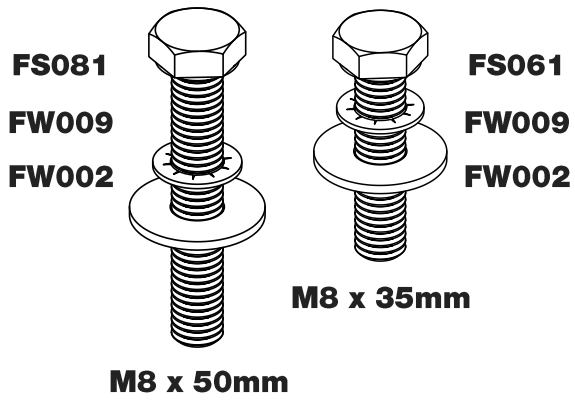
4.



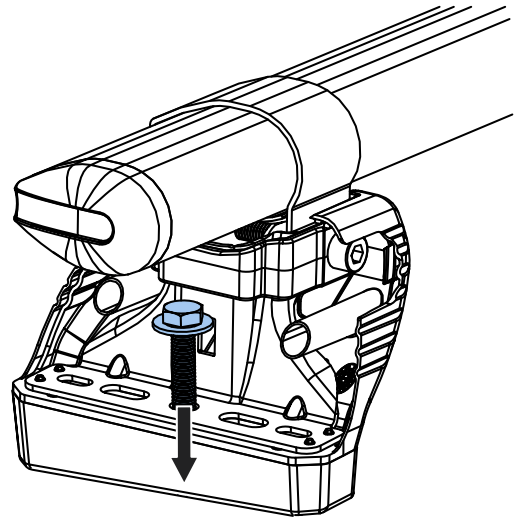
5.



6.

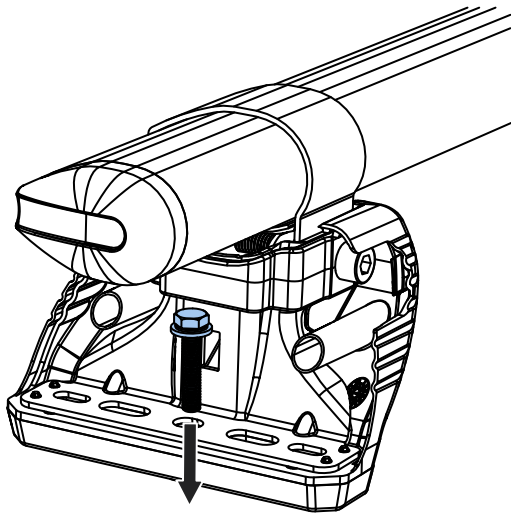


7.



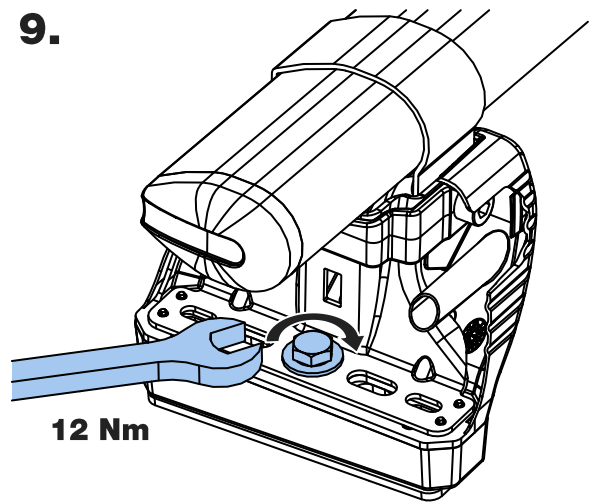
PS176 + M8 x 50mm

8.

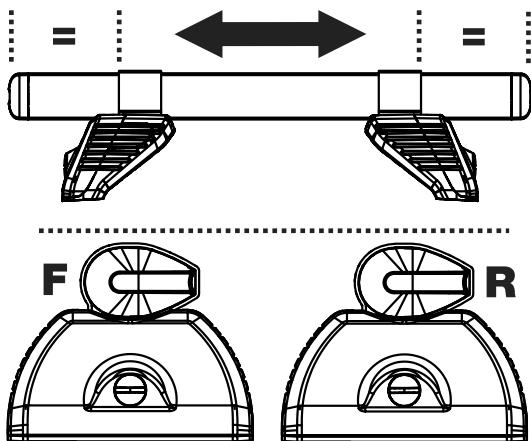


PS178 + M8 x 35mm

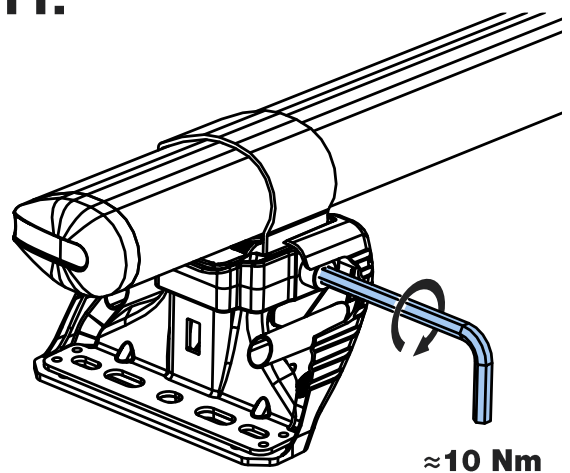
9.



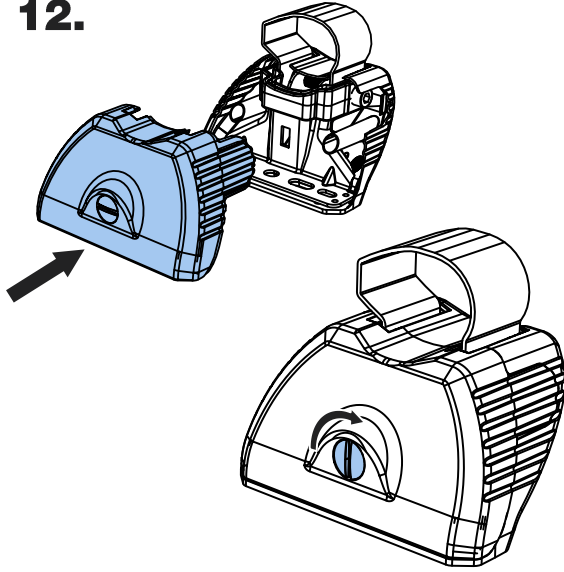
10.



11.



12.



13.

