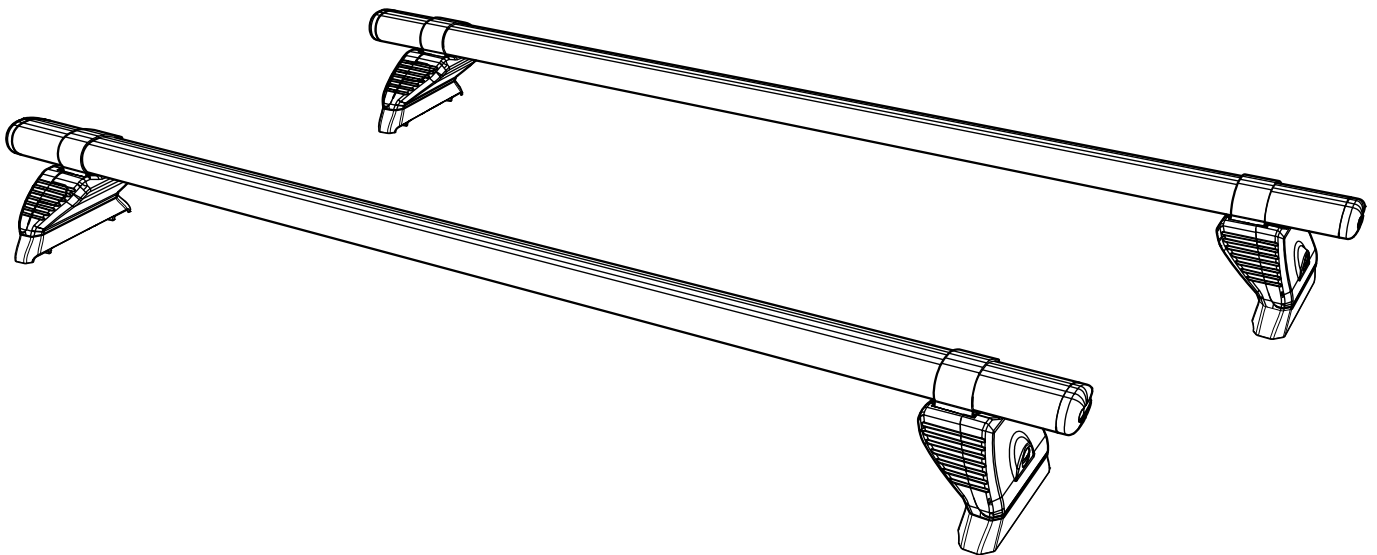


| <b>ISSUE:</b> | <b>DRAWN BY:</b> | <b>CHECKED BY:</b> | <b>CRF No:</b> | <b>DATE:</b> | <b>DESCRIPTION:</b> |
|---------------|------------------|--------------------|----------------|--------------|---------------------|
| a             | SJ               | KB                 | 2758           | 02/08/22     | First Issue         |
| b             |                  |                    |                |              |                     |
| c             |                  |                    |                |              |                     |
| d             |                  |                    |                |              |                     |
| e             |                  |                    |                |              |                     |
| f             |                  |                    |                |              |                     |
| g             |                  |                    |                |              |                     |
| h             |                  |                    |                |              |                     |
| i             |                  |                    |                |              |                     |
| j             |                  |                    |                |              |                     |
| k             |                  |                    |                |              |                     |
| l             |                  |                    |                |              |                     |
| m             |                  |                    |                |              |                     |

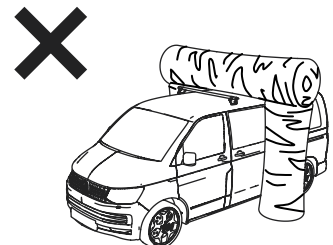
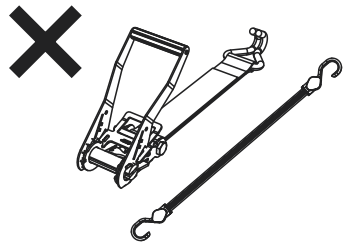
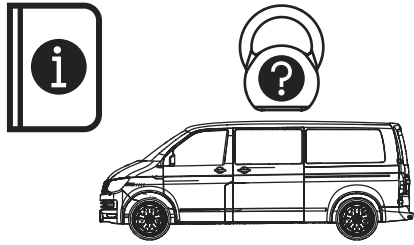
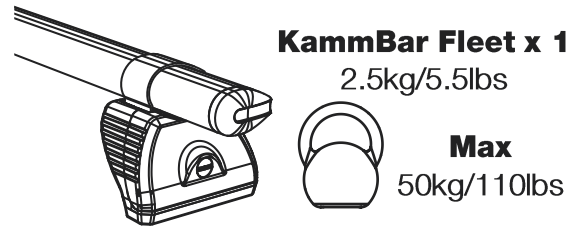
# PB2PR/FL KammBar

## Instructions

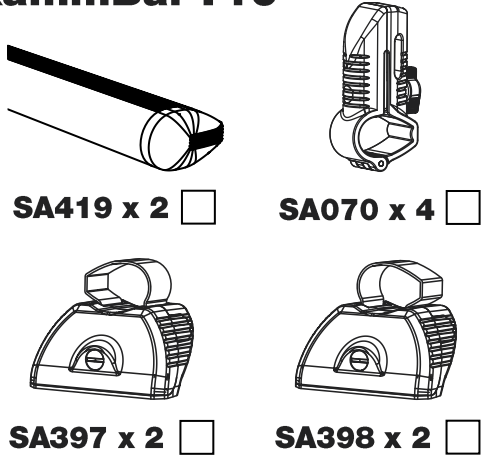


**CITY CRASH** (✓)

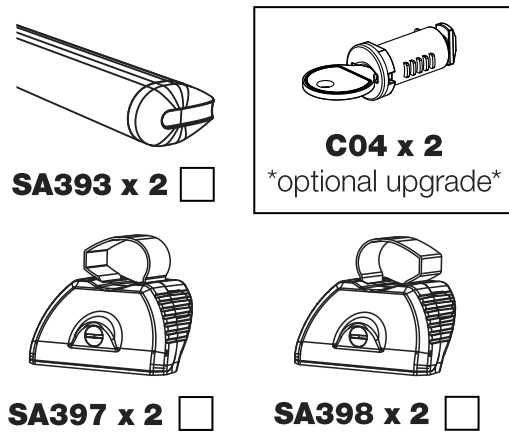
According to ISO/ PAS 11154:2006



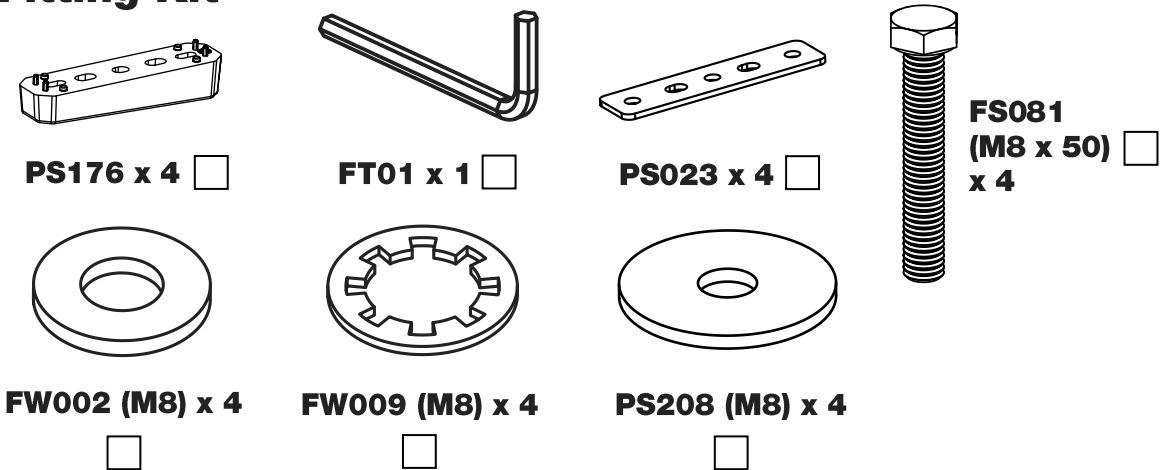
**KammBar Pro**



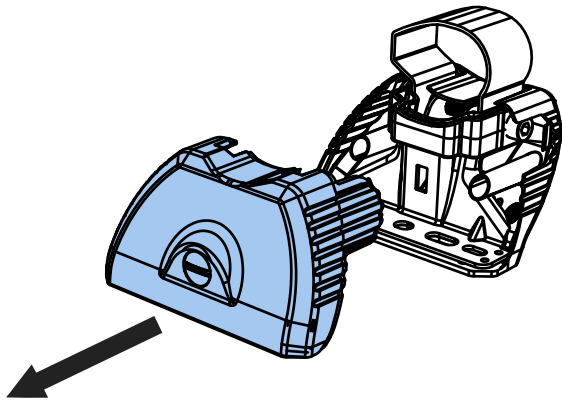
**KammBar Fleet**



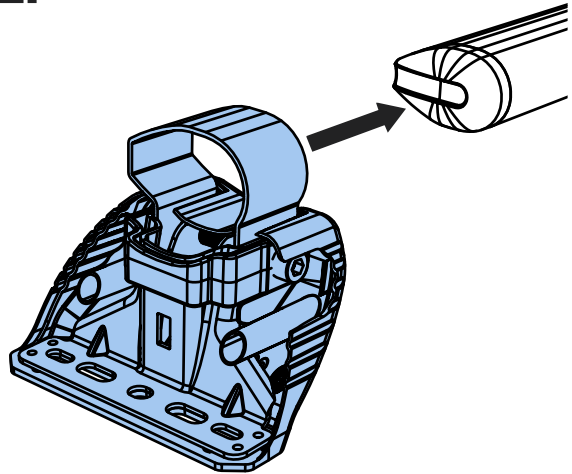
**Fitting Kit**



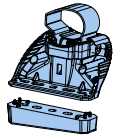
1.



2.



3.

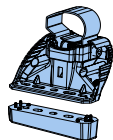
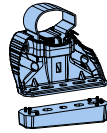


SA397

PS176

SA398

PS176

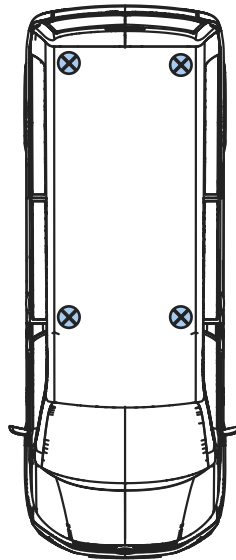
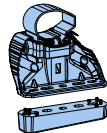


SA397

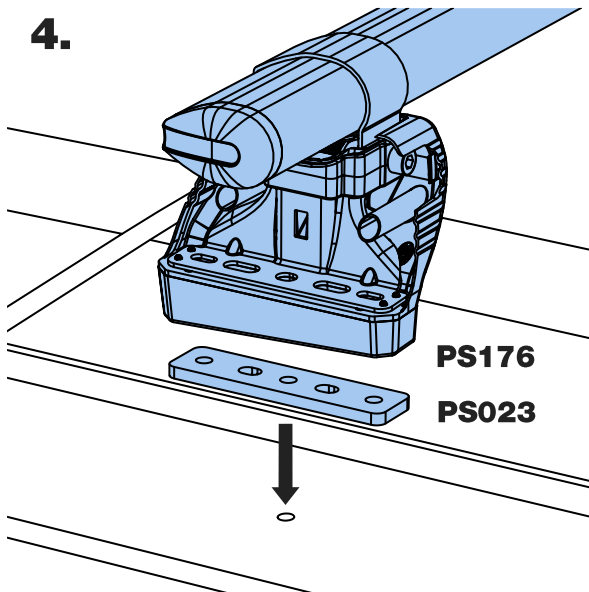
PS176

SA398

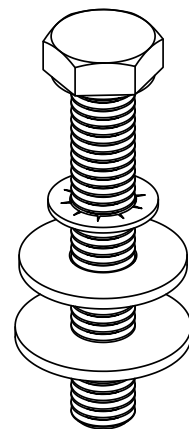
PS176



4.



5.



FS081

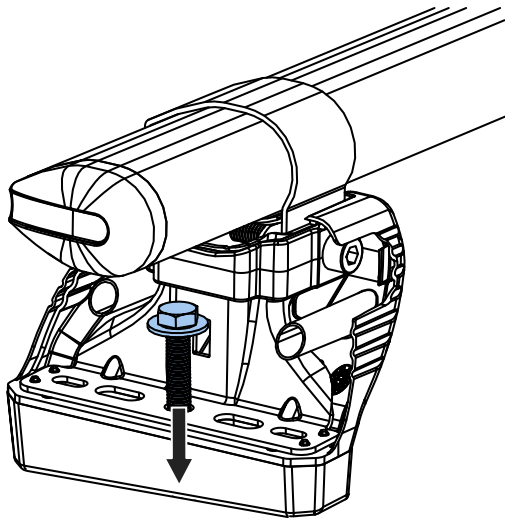
FW009

FW002

PS208

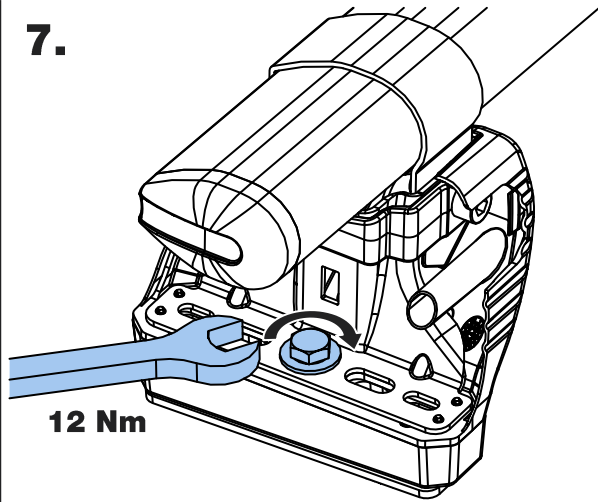
M8 x 50mm

6.

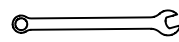


PS176 + M8 x 50mm

7.

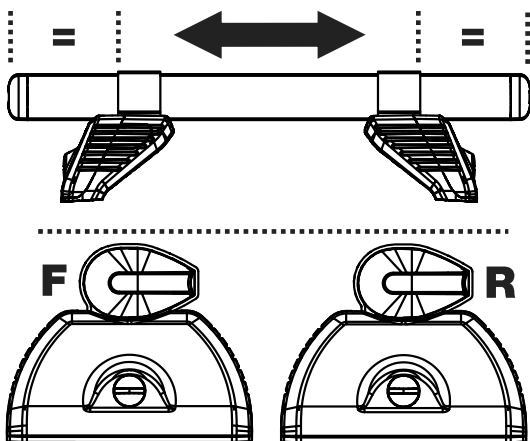


12 Nm

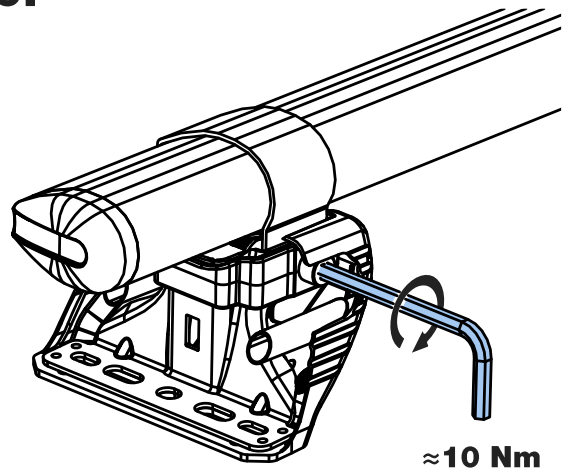


13mm

8.

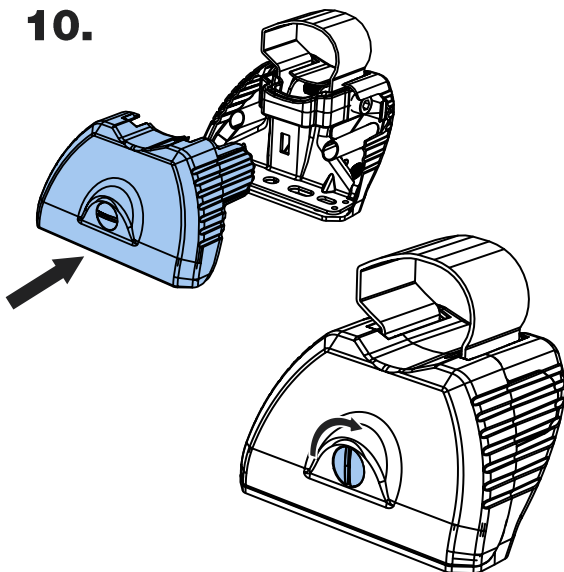


9.



≈ 10 Nm

10.



11.

