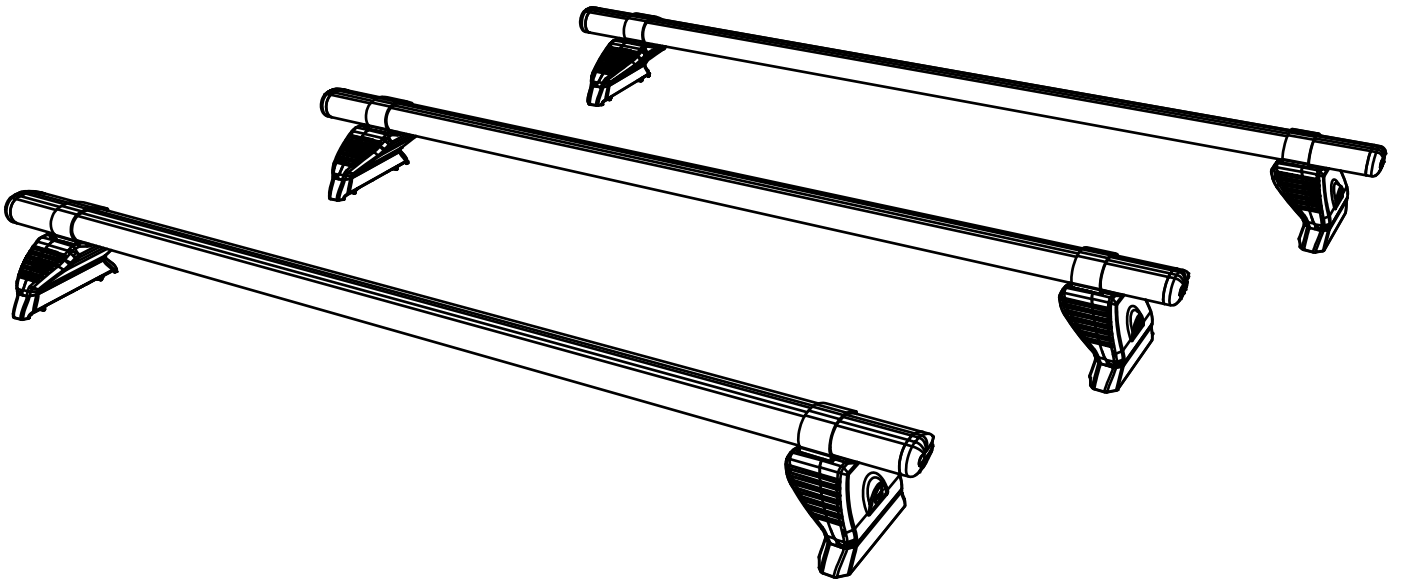


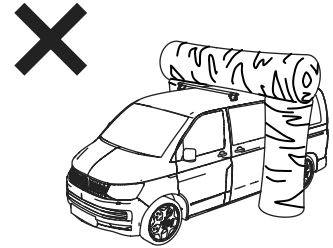
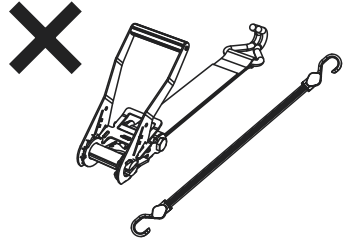
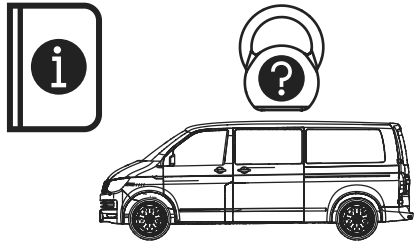
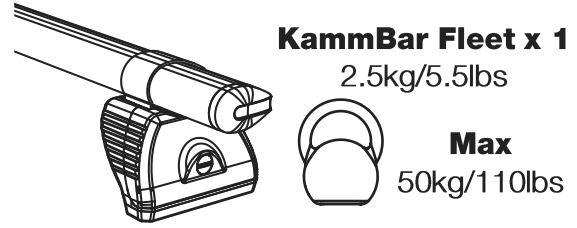
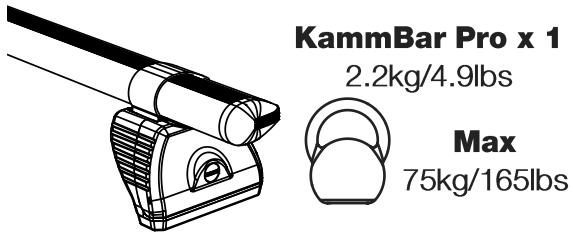
ISSUE:	DRAWN BY:	CHECKED BY:	CRF No:	DATE:	DESCRIPTION:
a	SJ	KB	2758	02/08/22	First Issue
b					
c					
d					
e					
f					
g					
h					
i					
j					
k					
l					
m					

PB3PR/FL KammBar Instructions

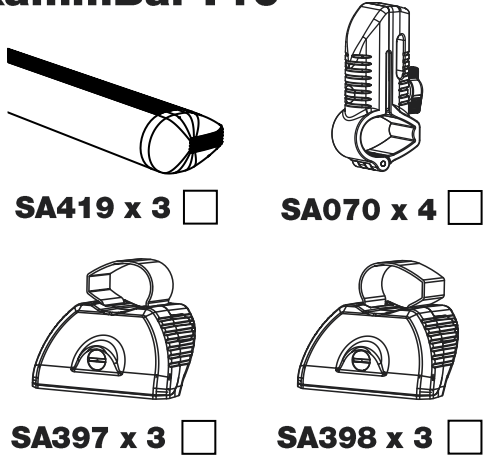


CITY CRASH (✓)

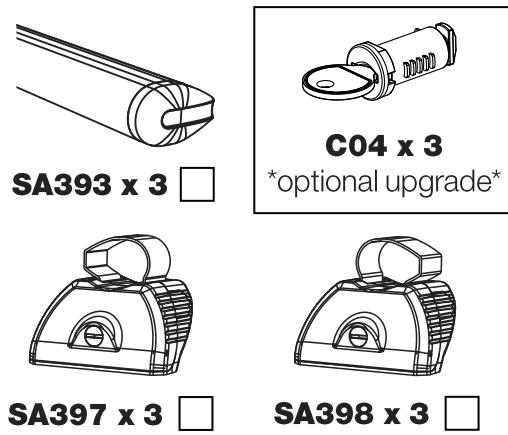
According to ISO/ PAS 11154:2006



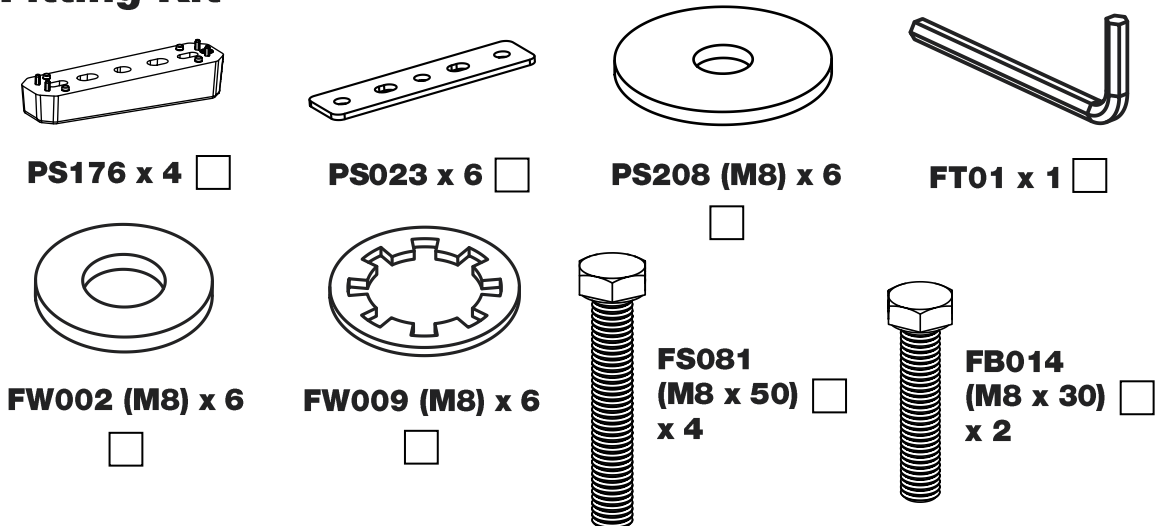
KammBar Pro



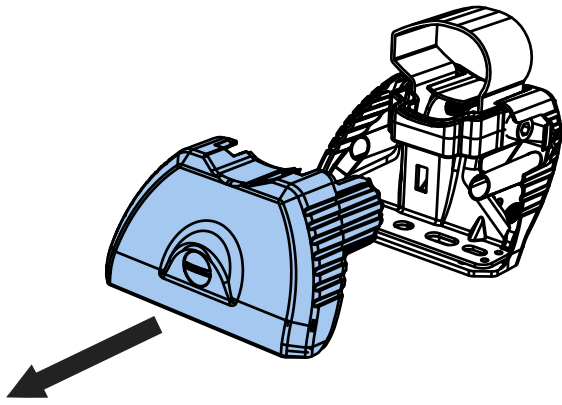
KammBar Fleet



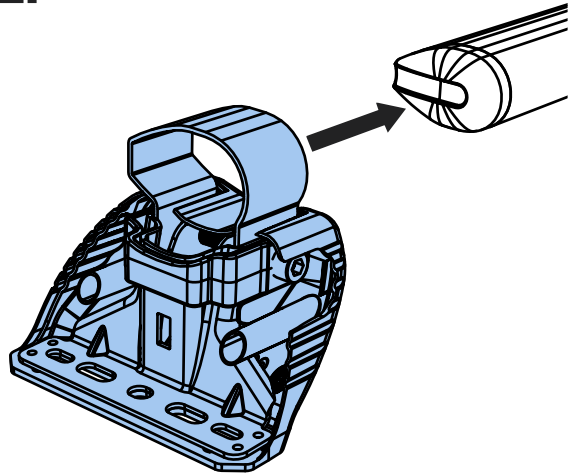
Fitting Kit



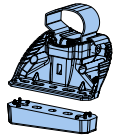
1.



2.



3.

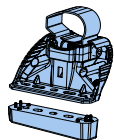


SA397

PS176

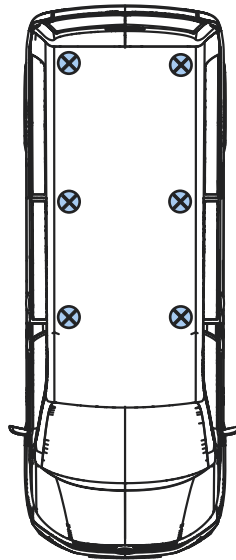


SA397

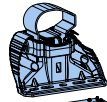


SA397

PS176



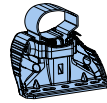
SA398



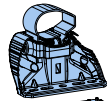
PS176



SA398



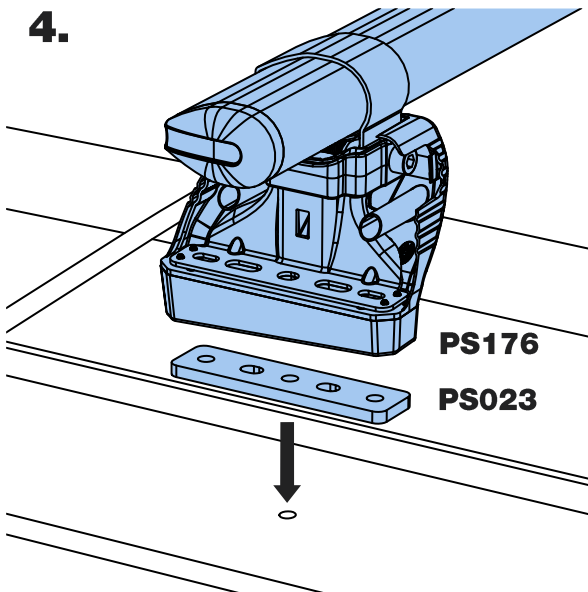
SA398



PS176



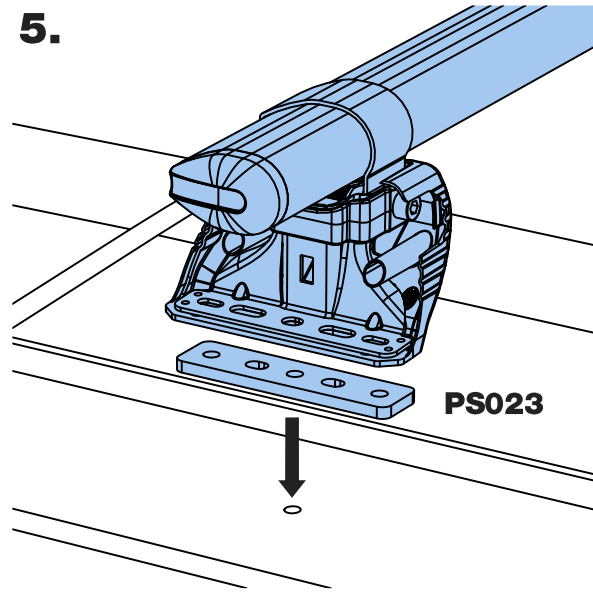
4.



PS176

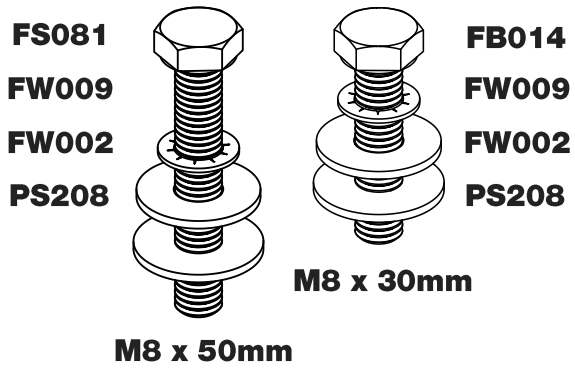
PS023

5.

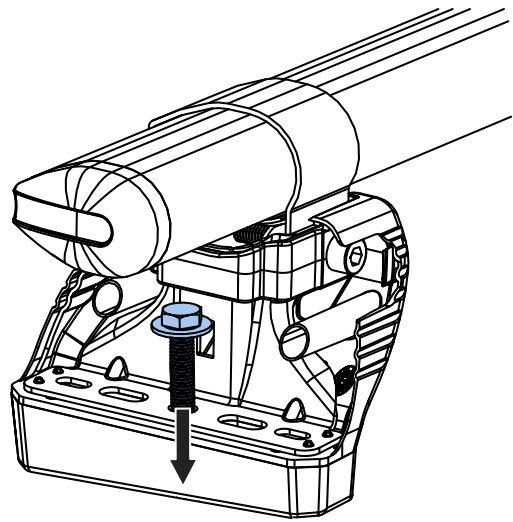


PS023

6.

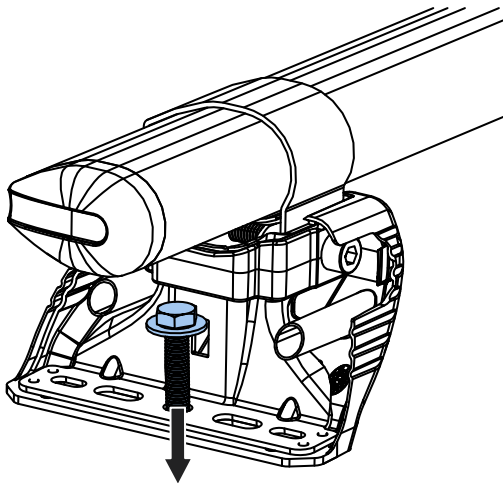


7.



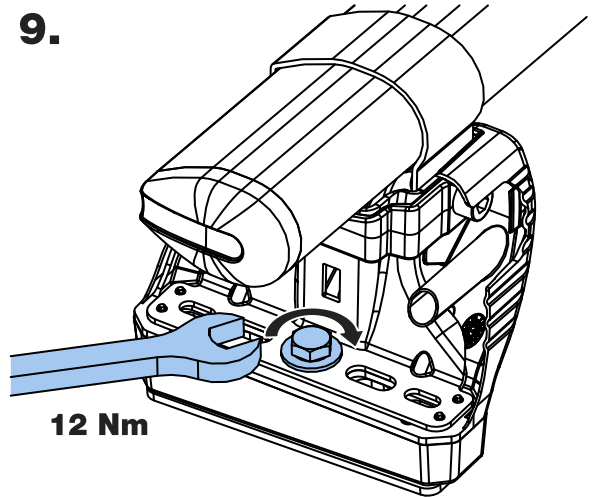
PS176 + M8 x 50mm

8.

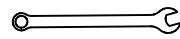


PS023 + M8 x 30mm

9.

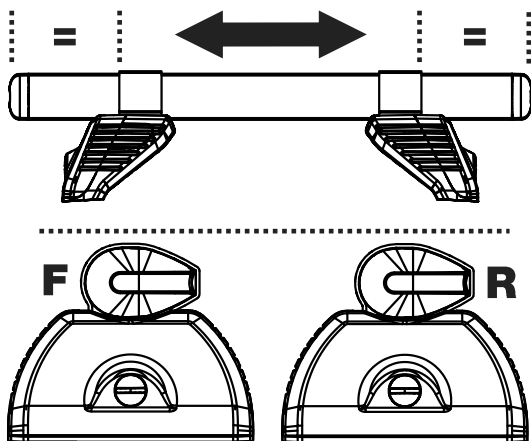


12 Nm

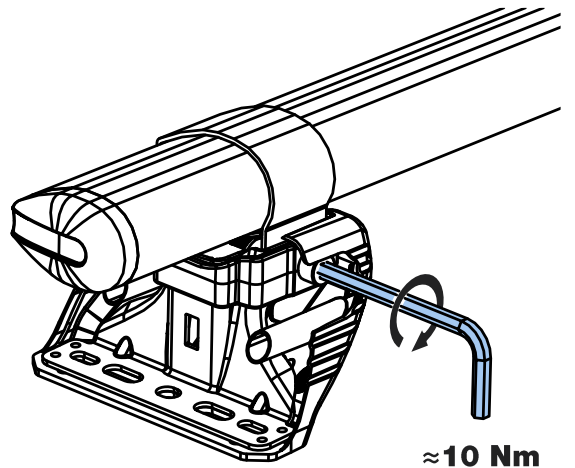


13mm

10.

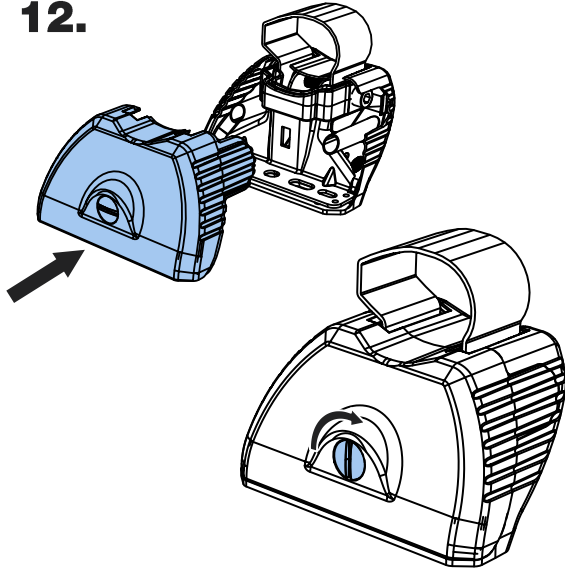


11.



≈ 10 Nm

12.



13.

