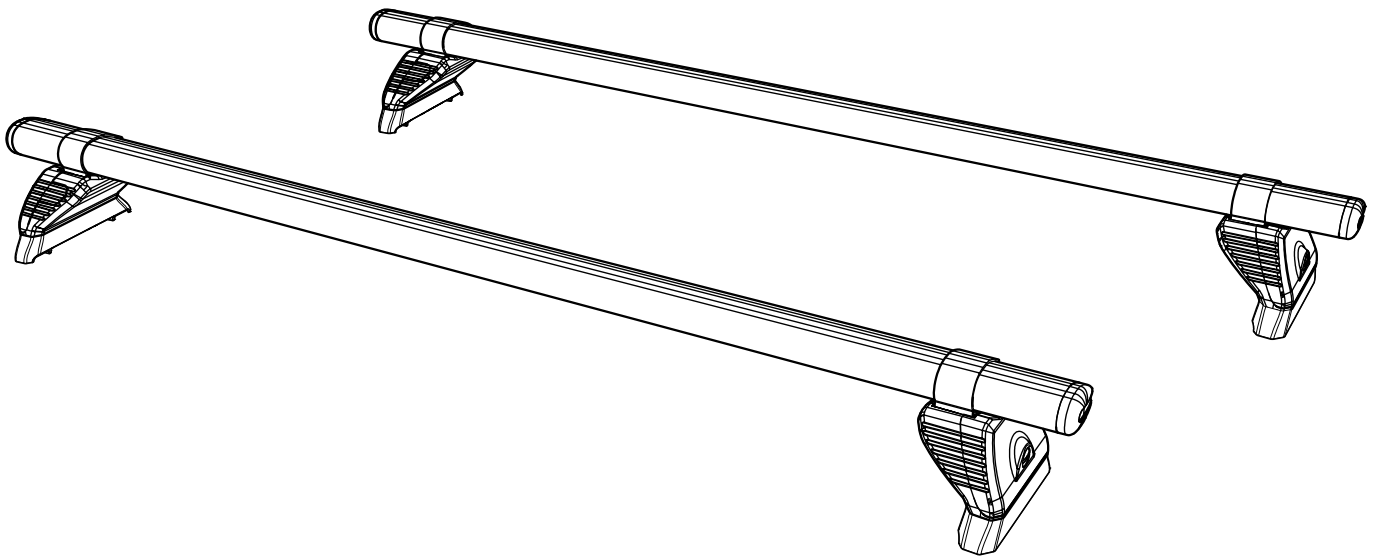


ISSUE:	DRAWN BY:	CHECKED BY:	CRF No:	DATE:	DESCRIPTION:
a	SJ	KB	2758	02/08/22	First Issue
b	SJ	KB	2781	16/08/22	Updated bar SA codes
c					
d					
e					
f					
g					
h					
i					
j					
k					
l					
m					

MC2PR/FL

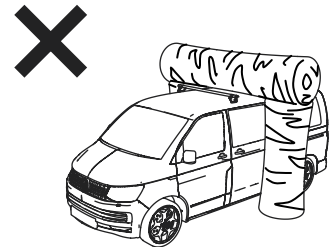
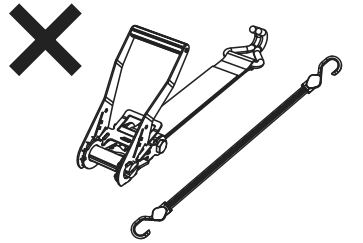
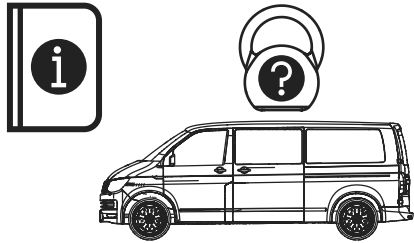
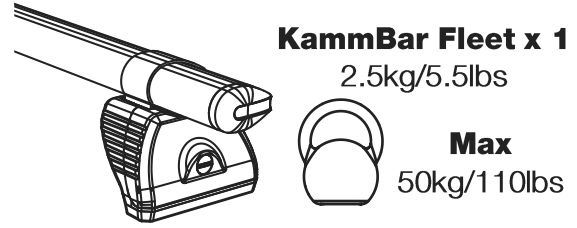
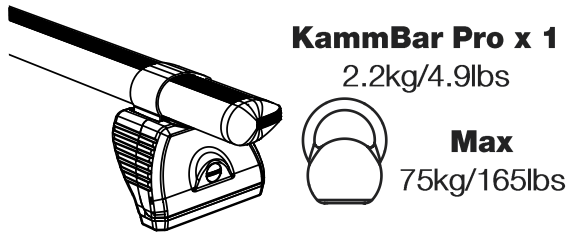
KammBar

Instructions

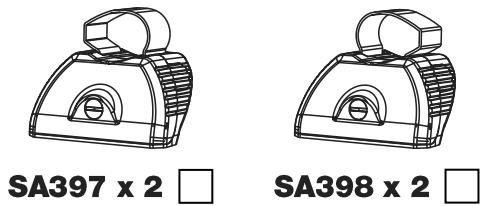
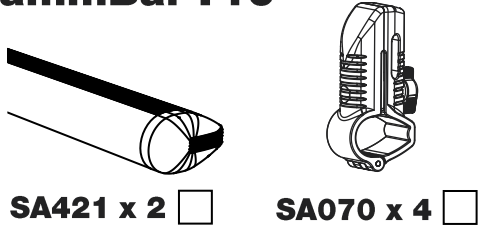


CITY CRASH (✓)

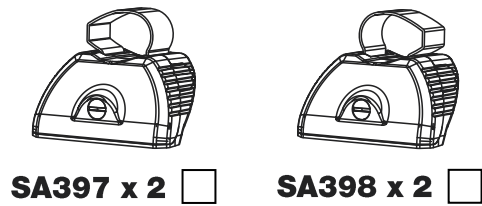
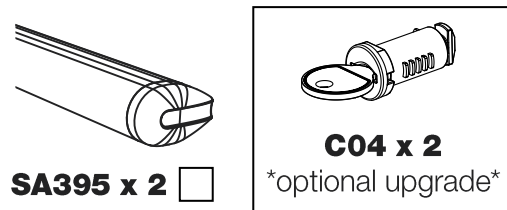
According to ISO/ PAS 11154:2006



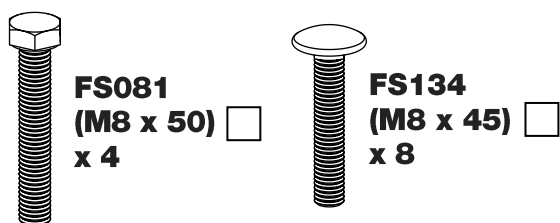
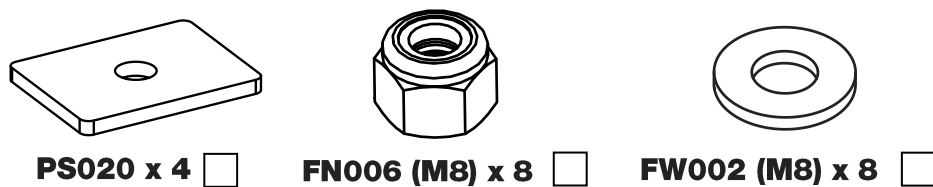
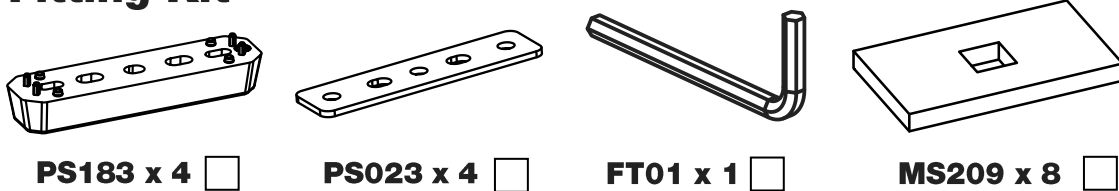
KammBar Pro



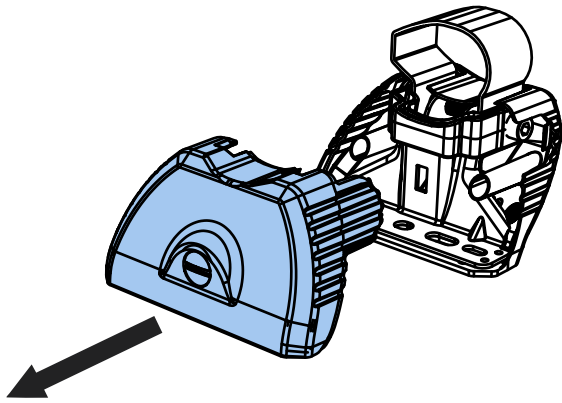
KammBar Fleet



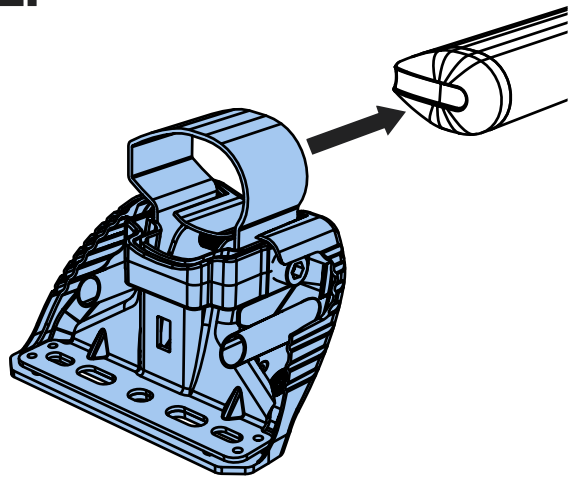
Fitting Kit



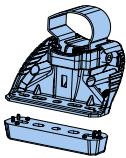
1.



2.

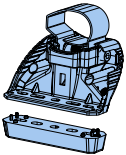
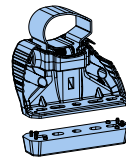


3.



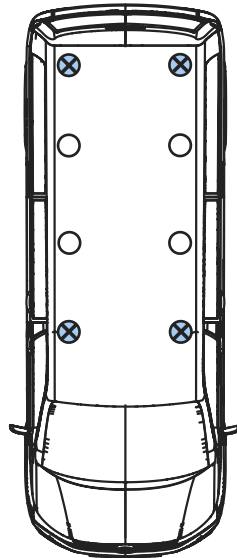
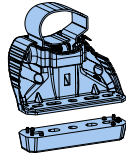
SA397
PS183

SA398
PS183

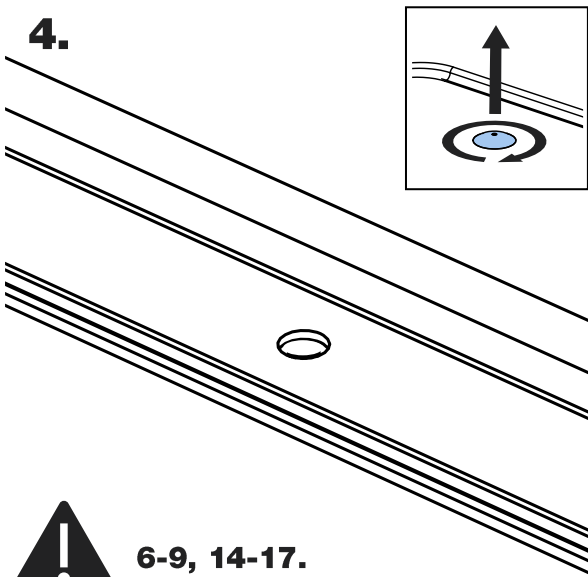


SA397
PS183

SA398
PS183

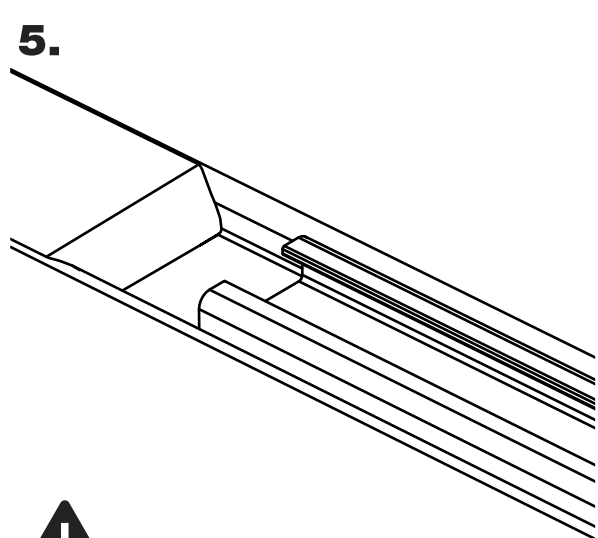


4.



6-9, 14-17.

5.



10-17.

