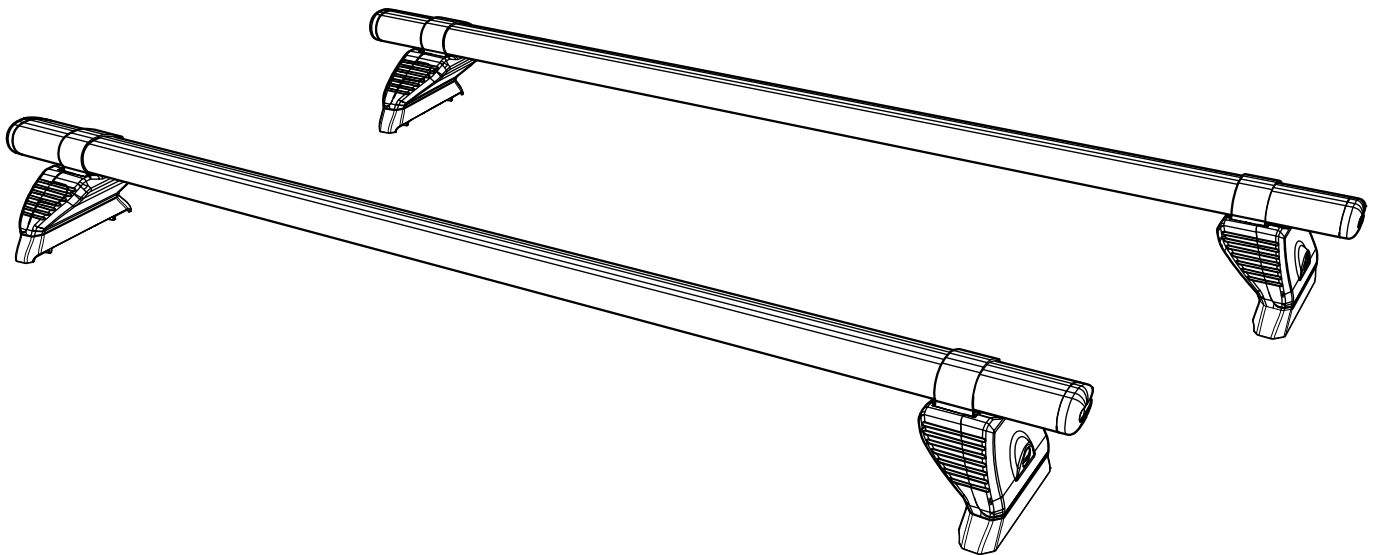


<b>ISSUE:</b>	<b>DRAWN BY:</b>	<b>CHECKED BY:</b>	<b>CRF No:</b>	<b>DATE:</b>	<b>DESCRIPTION:</b>
a	SJ	KB	2758	02/08/22	First Issue
b					
c					
d					
e					
f					
g					
h					
i					
j					
k					
l					
m					

# RA2PR/FL

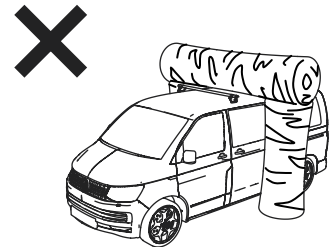
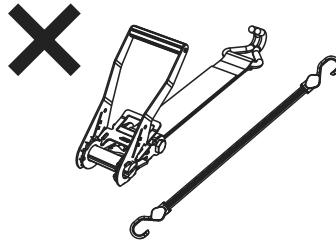
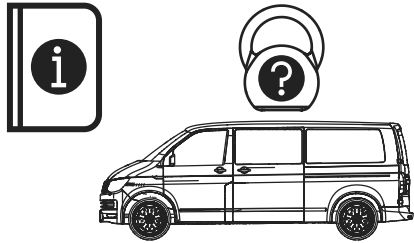
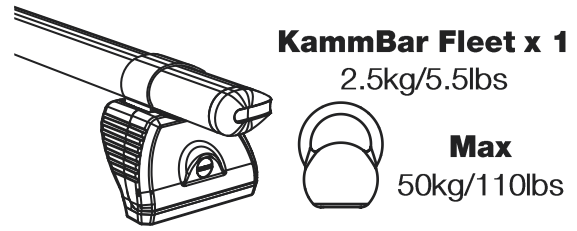
# KammBar

## Instructions

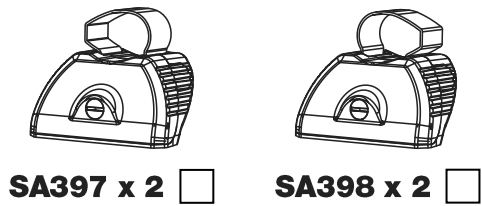
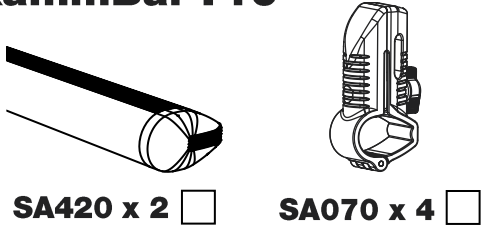


**CITY CRASH** (✓)

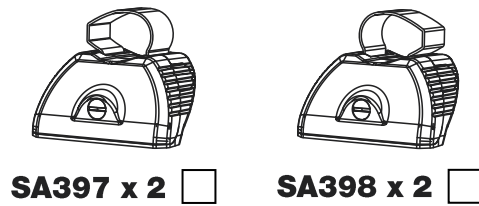
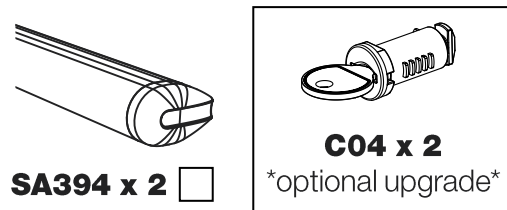
According to ISO/ PAS 11154:2006



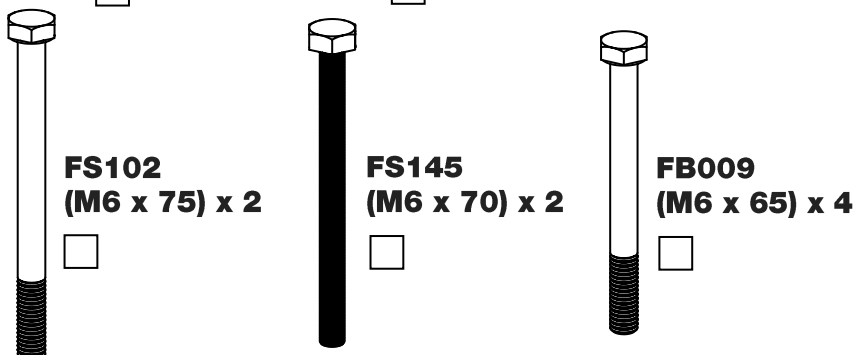
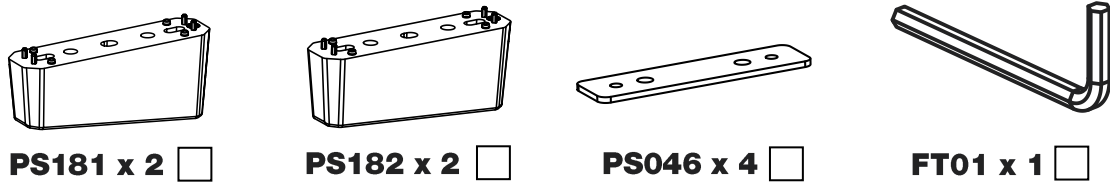
### KammBar Pro



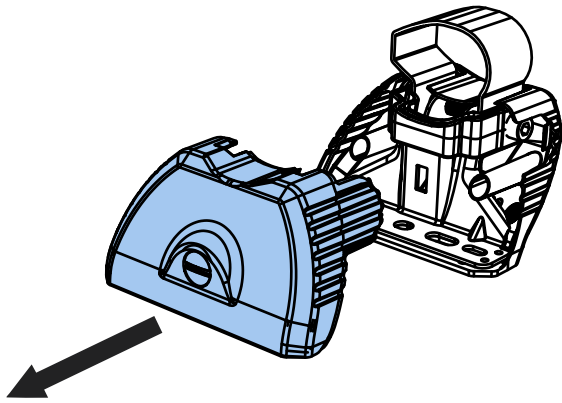
### KammBar Fleet



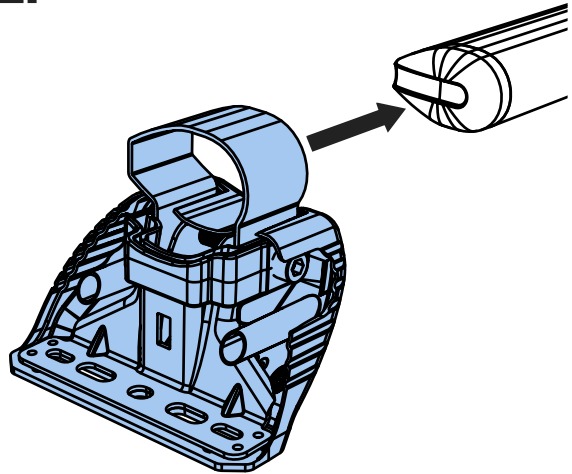
### Fitting Kit



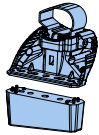
1.



2.

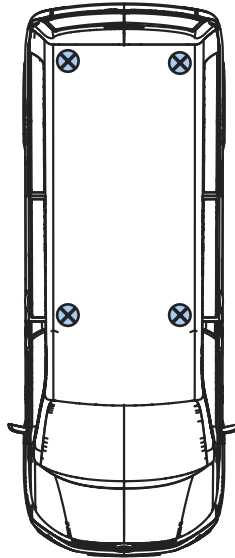


3.



SA397

PS182



SA398



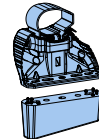
PS182



SA397

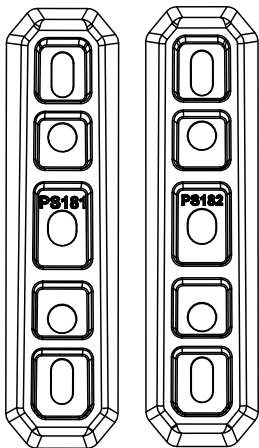
PS181

SA398

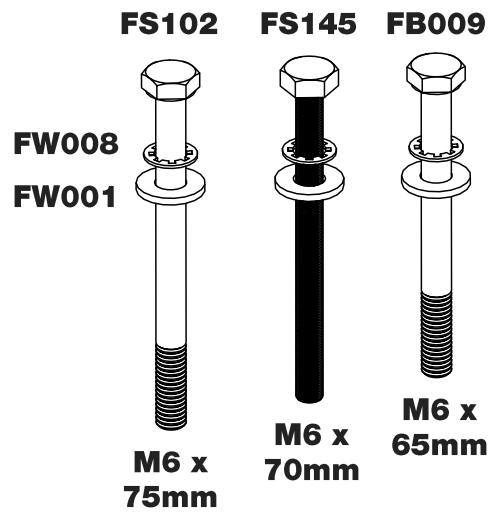


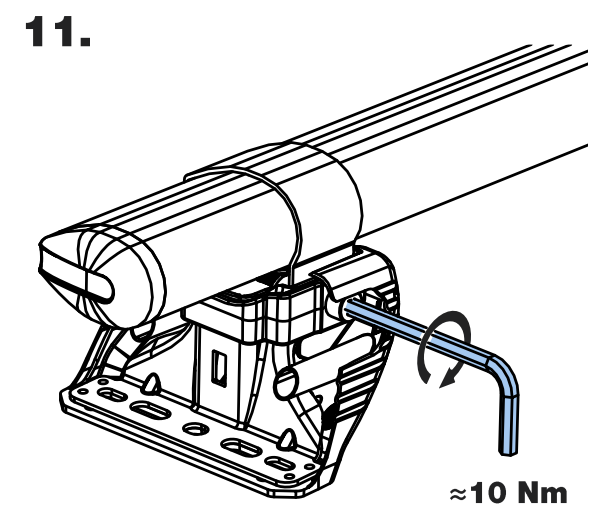
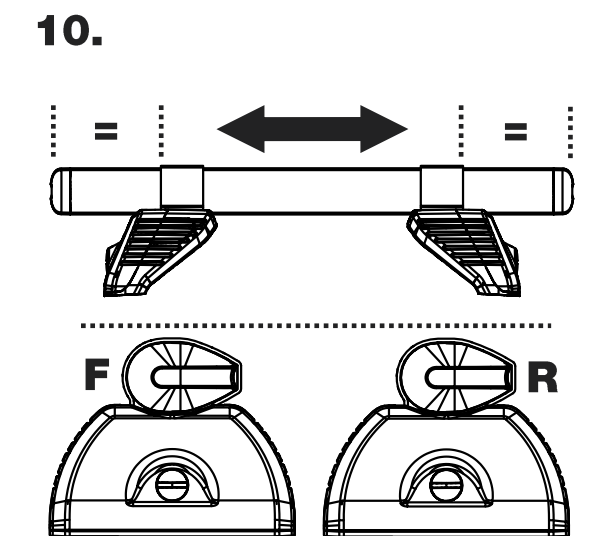
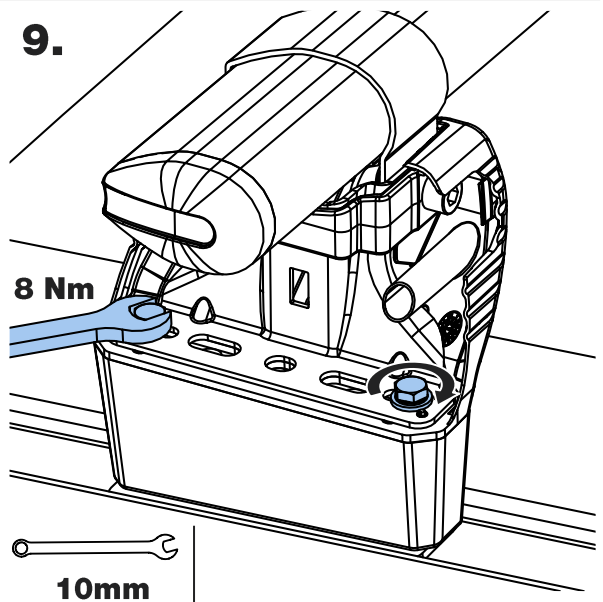
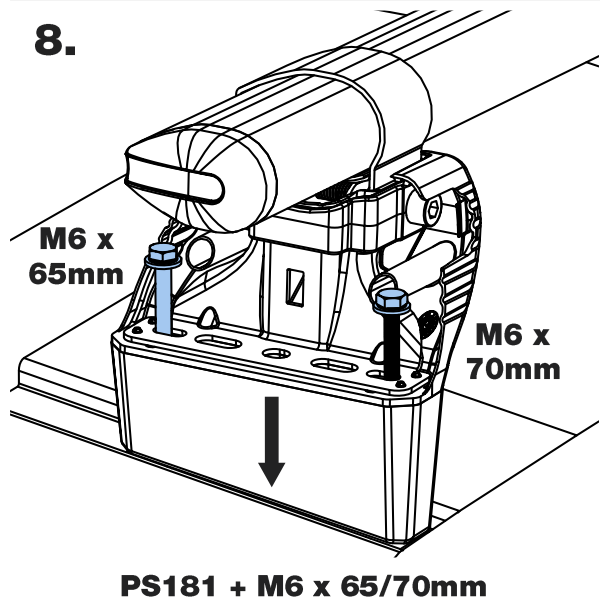
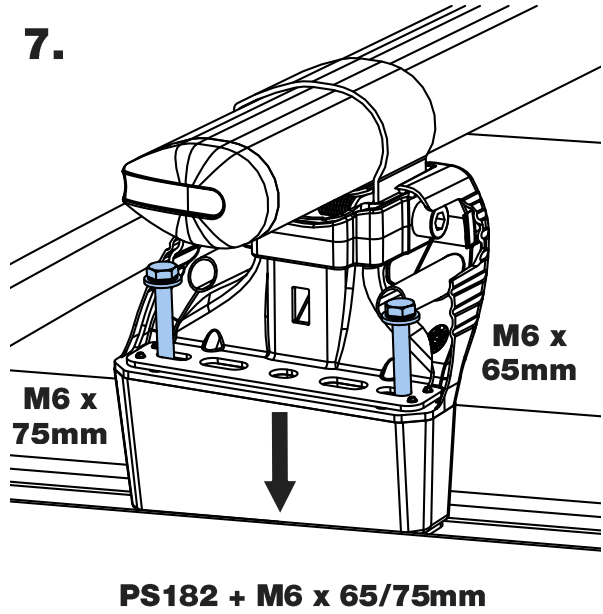
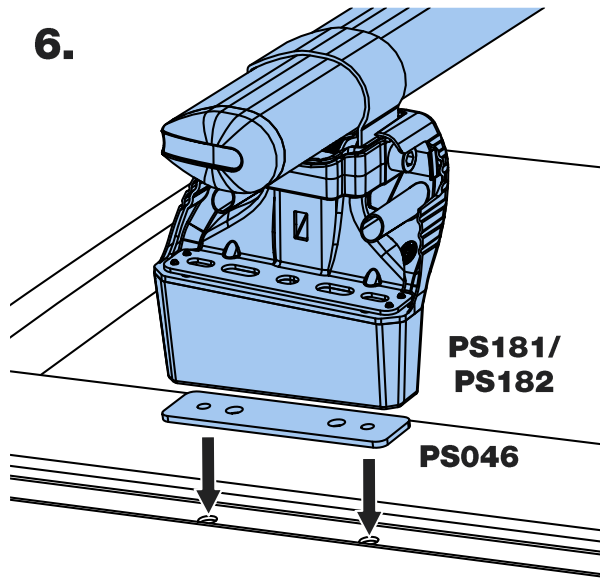
PS181

4.

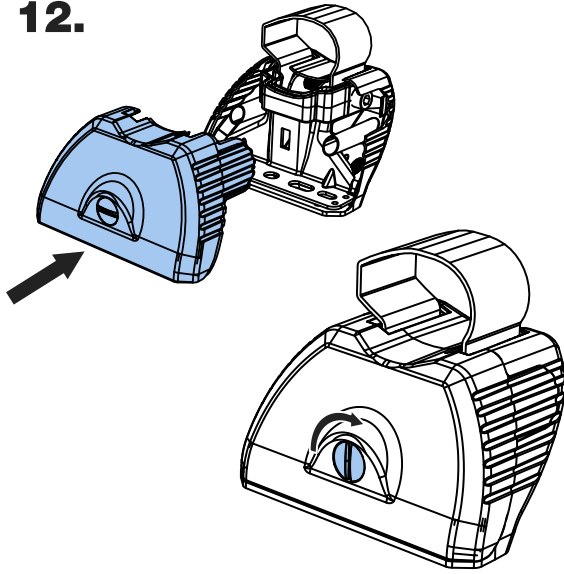


5.





**12.**



**13.**

