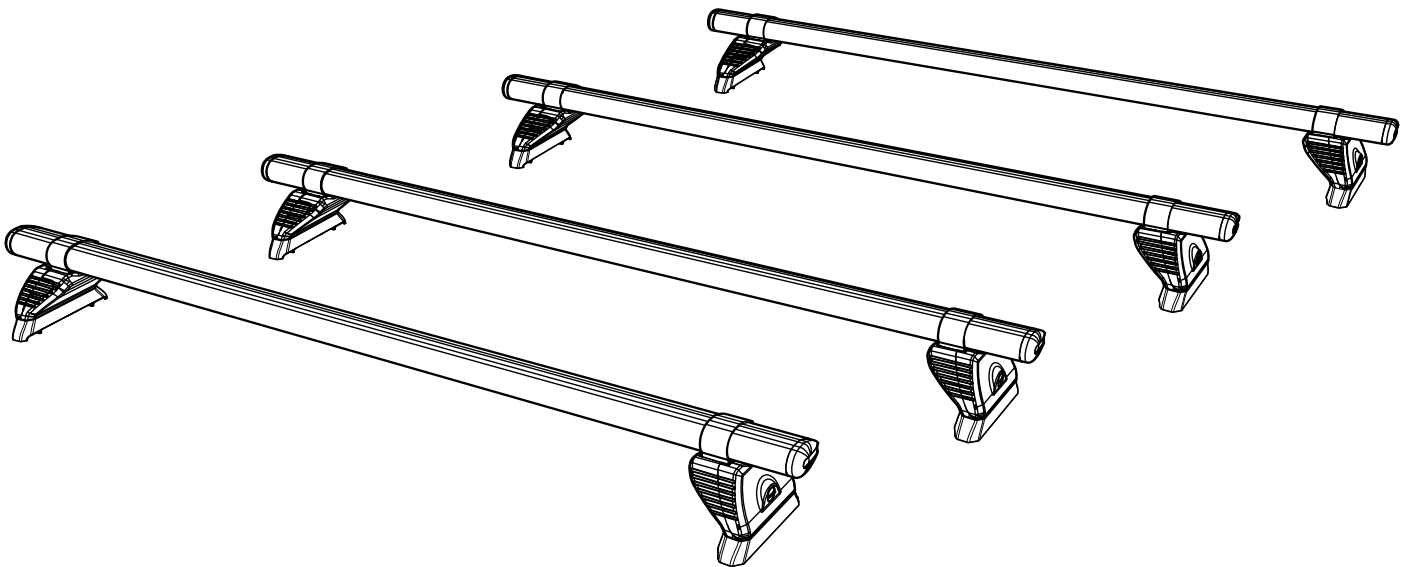


ISSUE:	DRAWN BY:	CHECKED BY:	CRF No:	DATE:	DESCRIPTION:
a	SJ	KB	2758	02/08/22	First Issue
b					
c					
d					
e					
f					
g					
h					
i					
j					
k					
l					
m					

RA4PR/FL

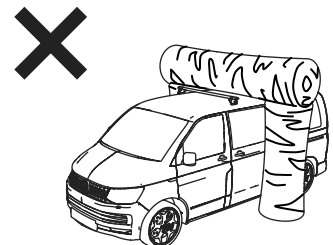
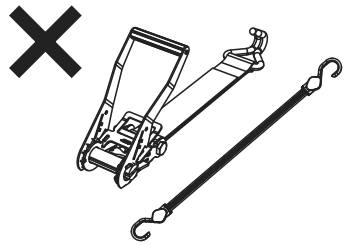
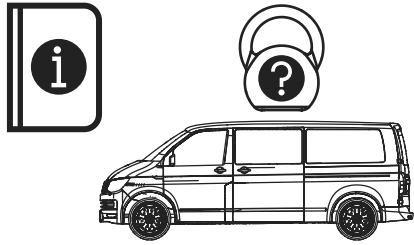
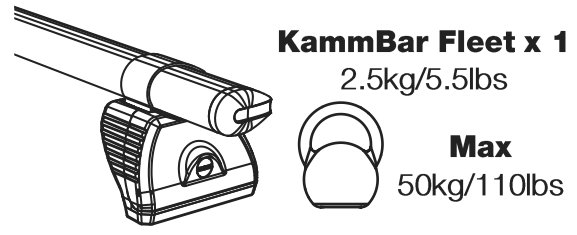
KammBar

Instructions

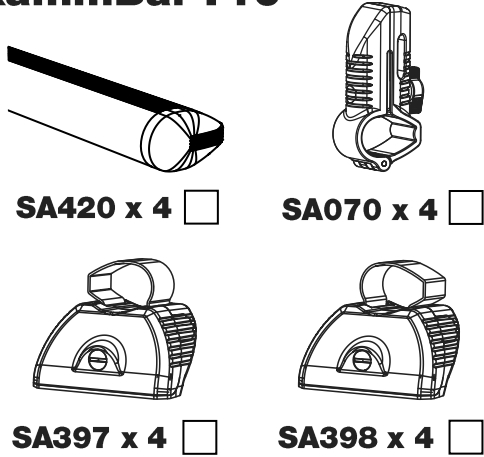


CITY CRASH (✓)

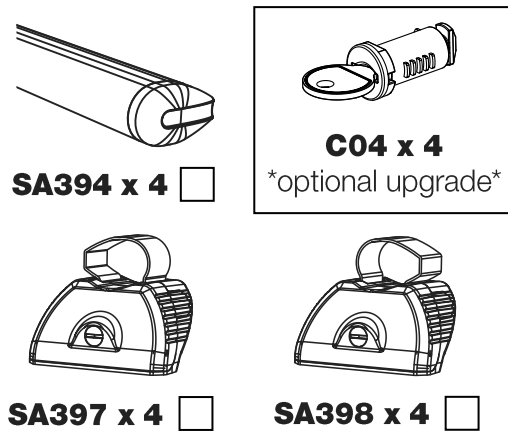
According to ISO/ PAS 11154:2006



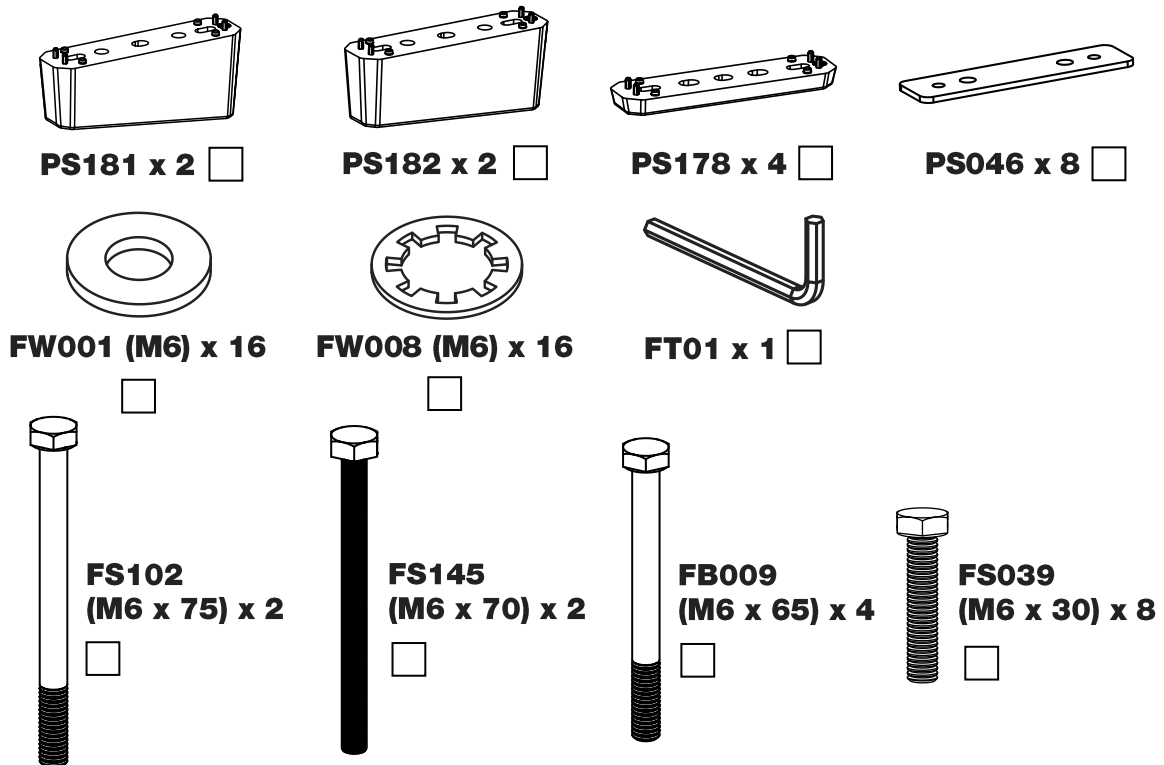
KammBar Pro



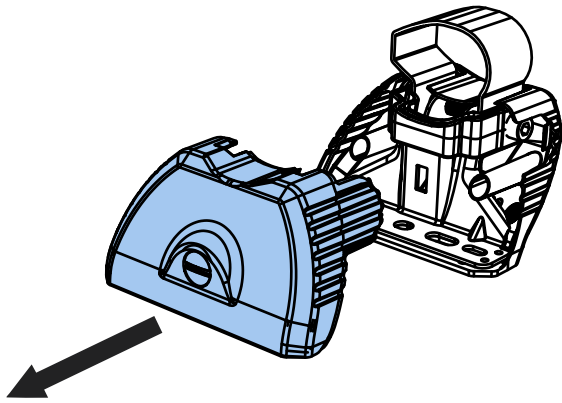
KammBar Fleet



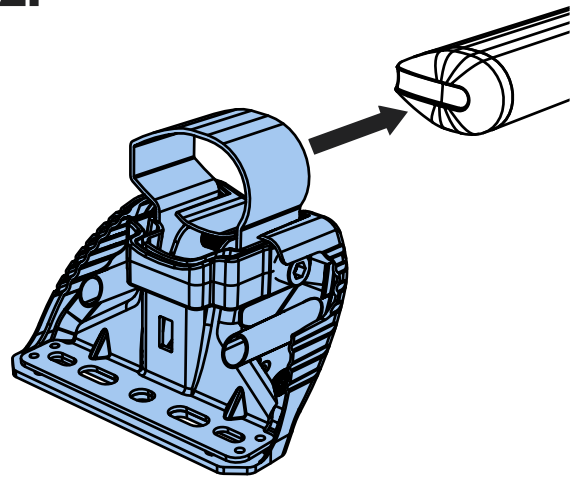
Fitting Kit



1.



2.

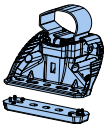


3.



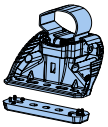
SA397

PS182



SA397

PS178



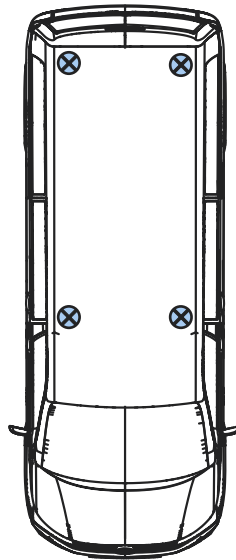
SA397

PS178

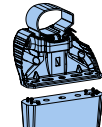


SA397

PS181

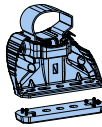


SA398



PS182

SA398



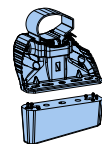
PS178

SA398



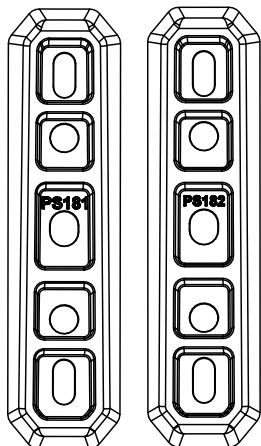
PS178

SA398

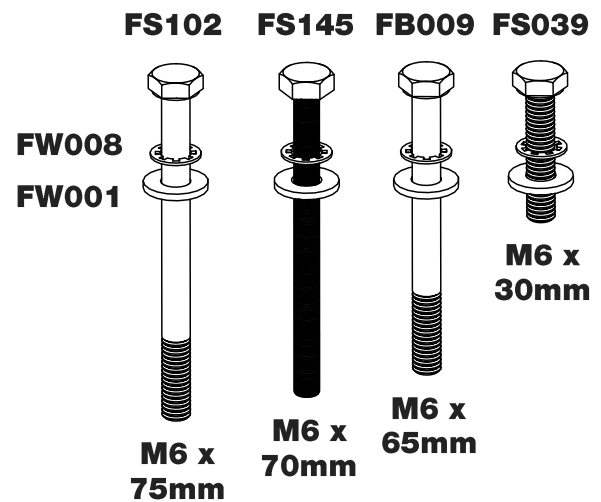


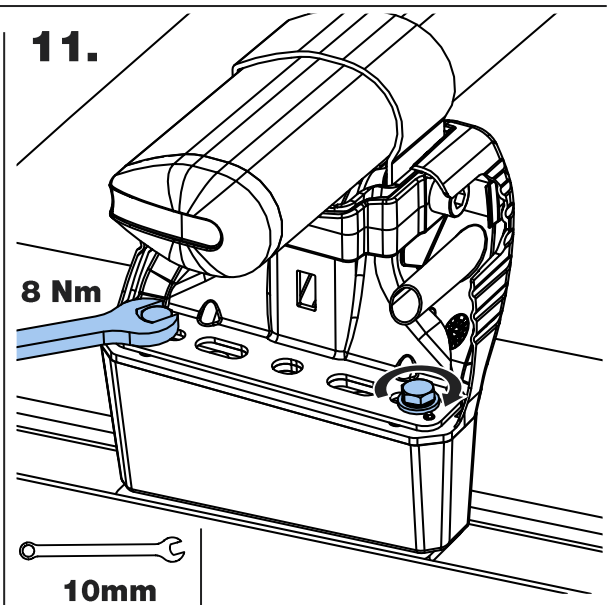
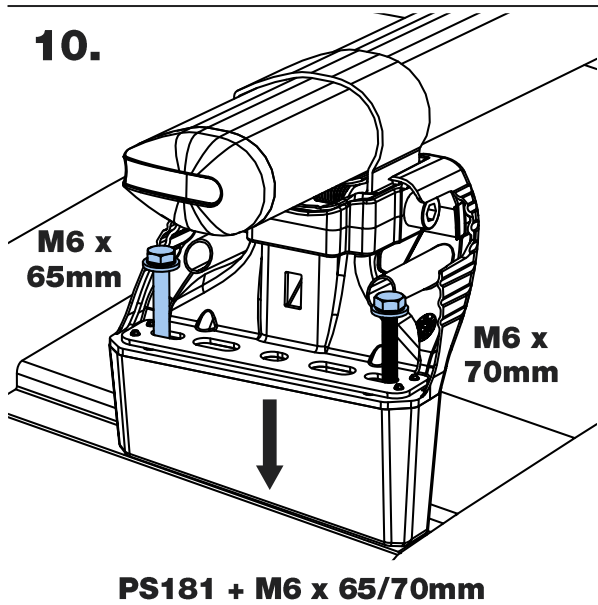
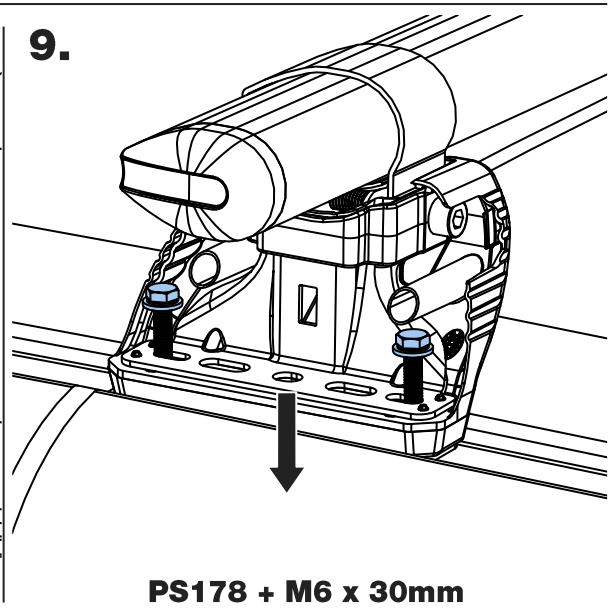
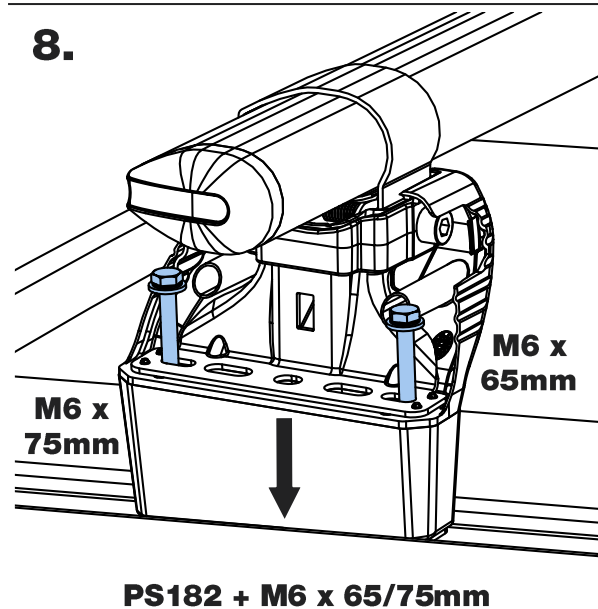
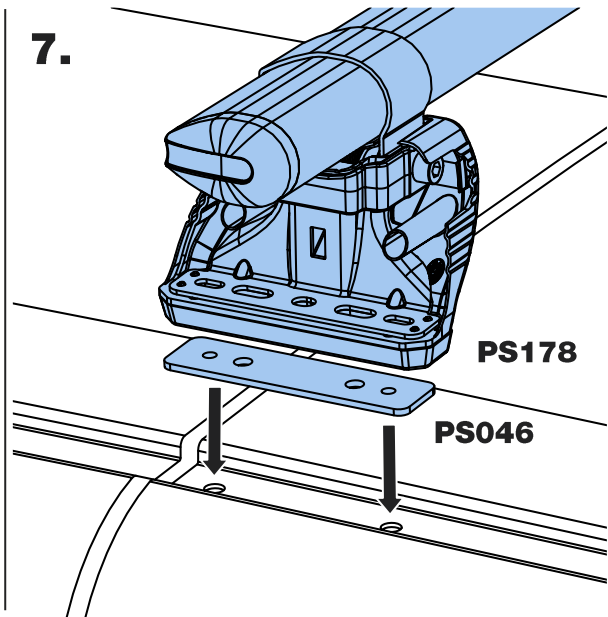
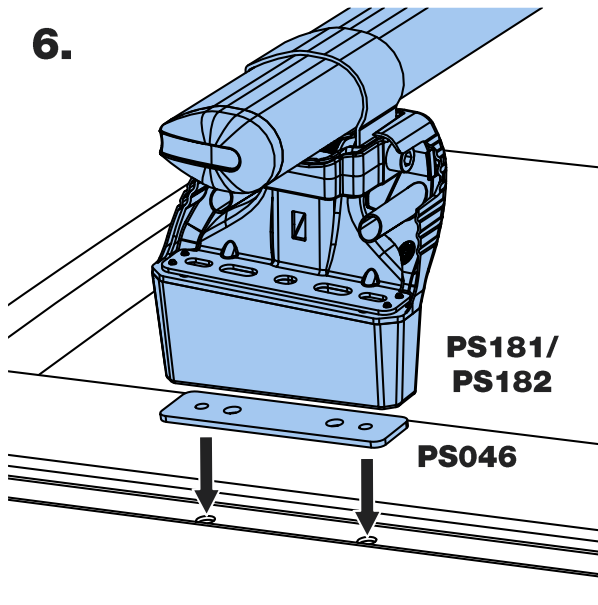
PS181

4.

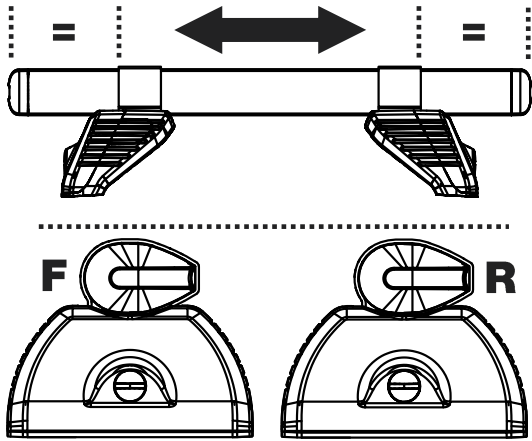


5.

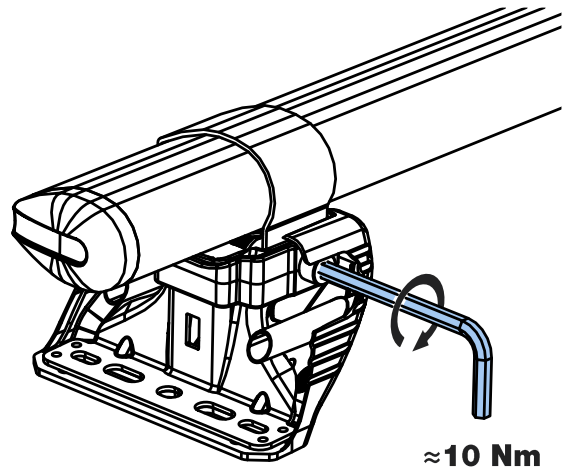




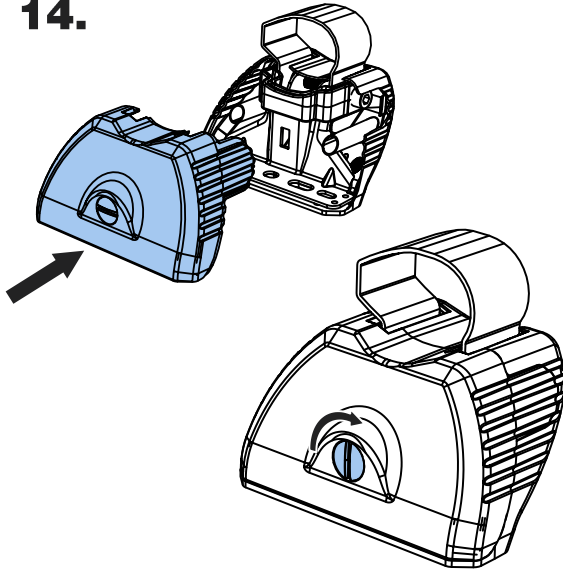
12.



13.



14.



15.

