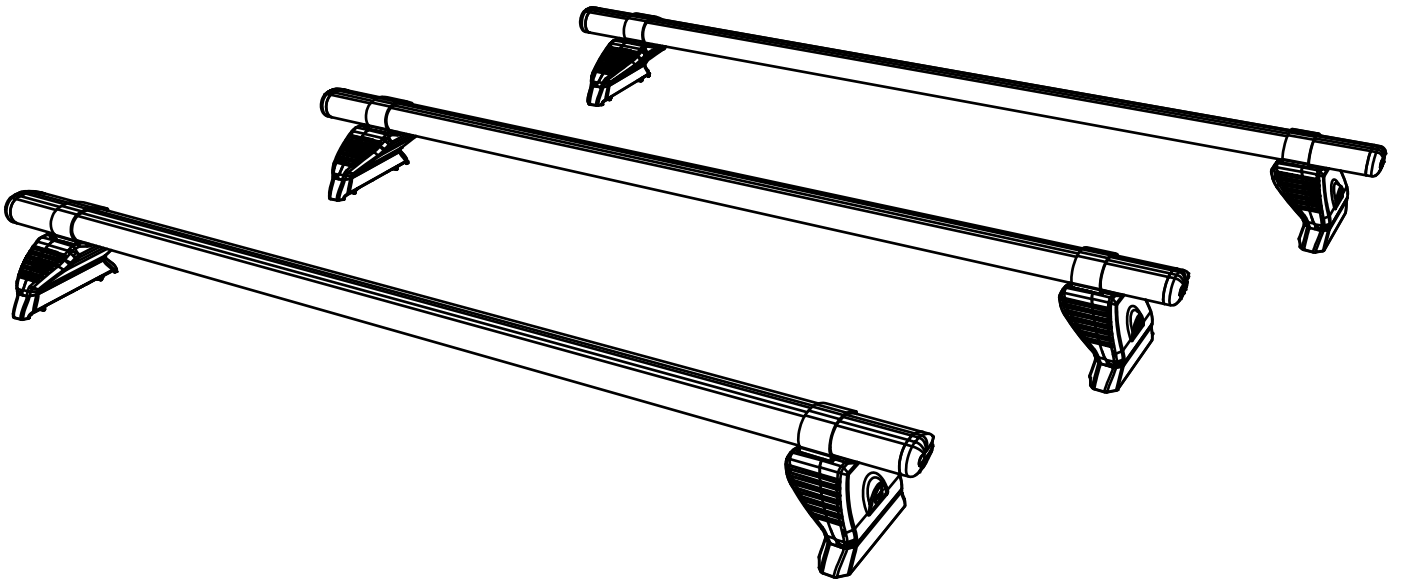


ISSUE:	DRAWN BY:	CHECKED BY:	CRF No:	DATE:	DESCRIPTION:
a	SJ	KB	2796	06/09/22	First Issue
b					
c					
d					
e					
f					
g					
h					
i					
j					
k					
l					
m					

MA3PR/FL

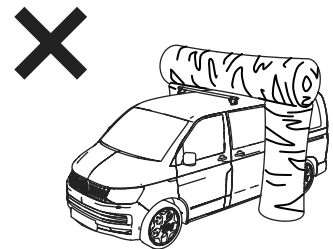
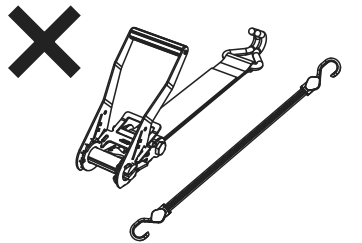
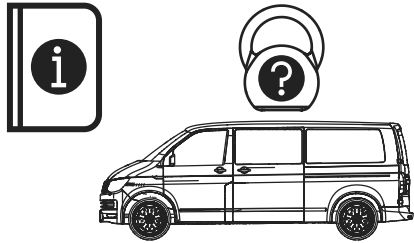
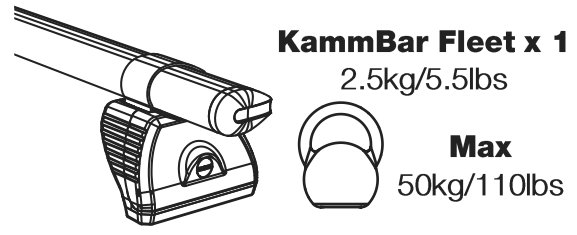
KammBar

Instructions

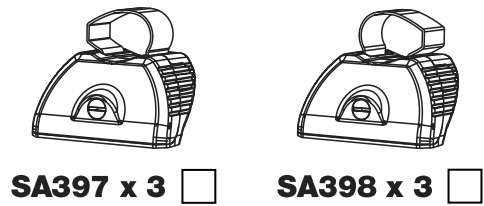
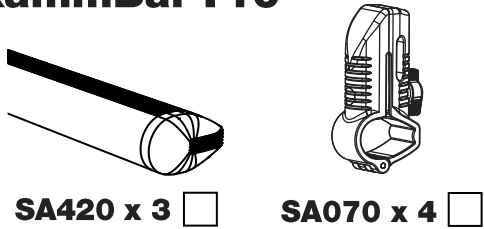


CITY CRASH (✓)

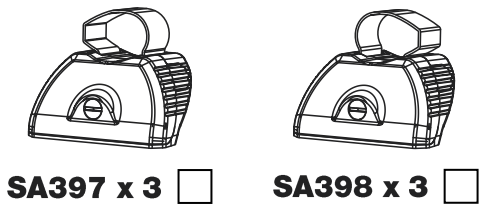
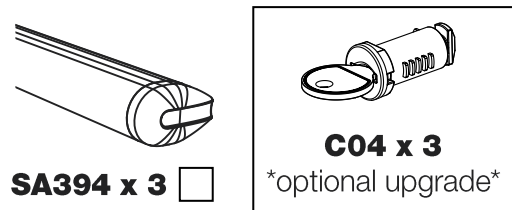
According to ISO/ PAS 11154:2006



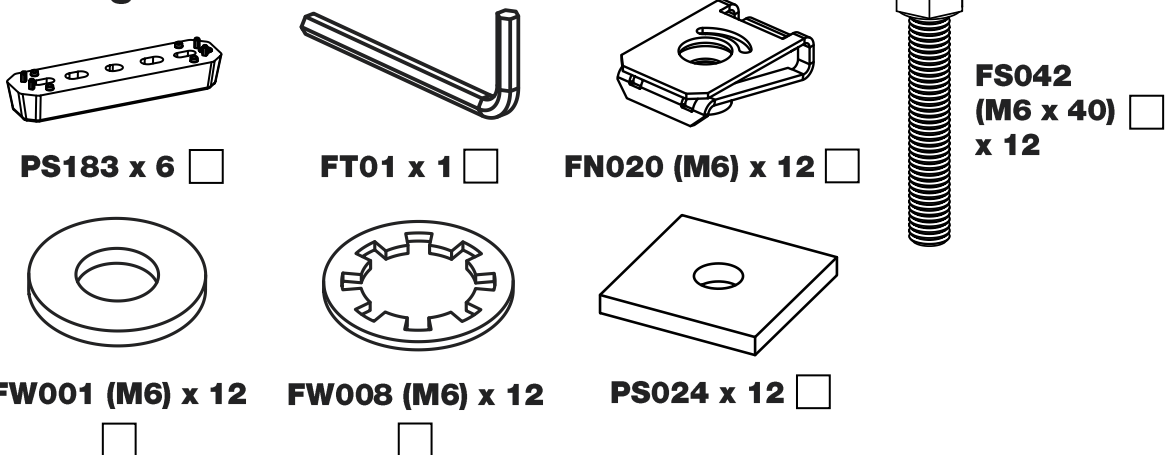
KammBar Pro



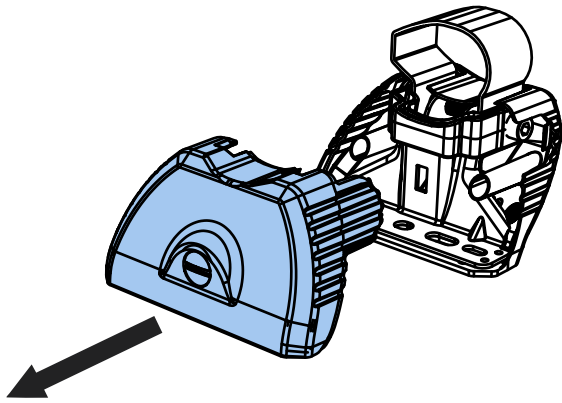
KammBar Fleet



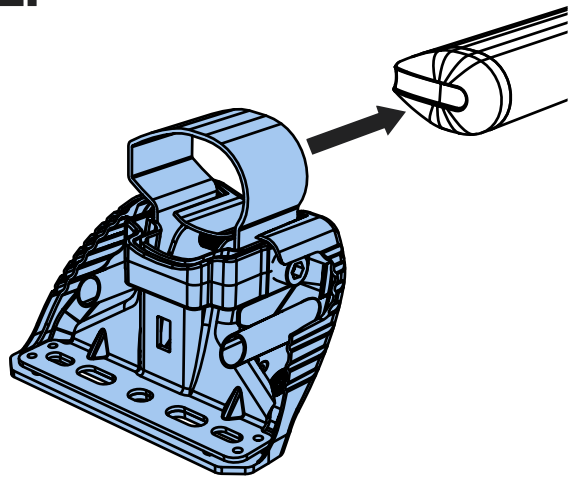
Fitting Kit



1.



2.

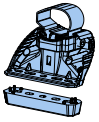


3.



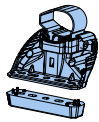
SA397

PS183



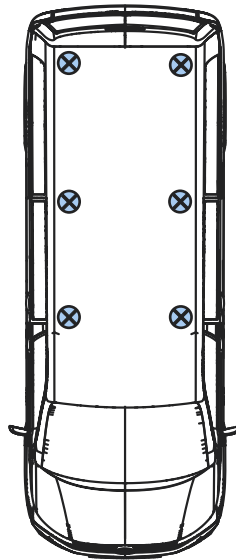
SA397

PS183

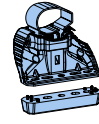


SA397

PS183

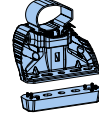


SA398



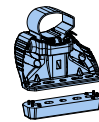
PS183

SA398



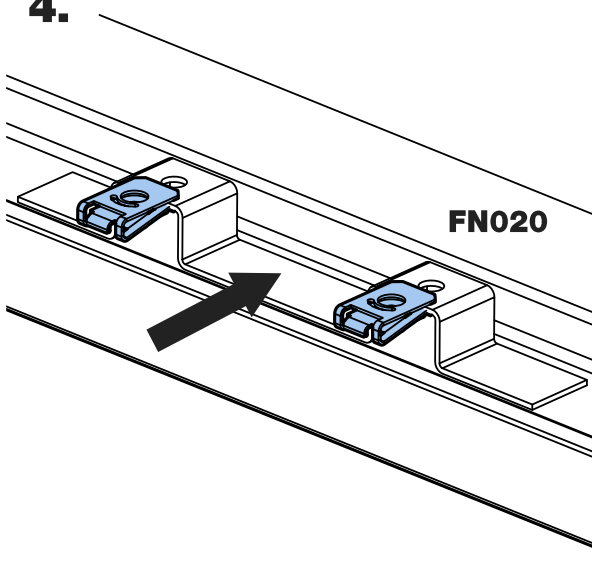
PS183

SA398

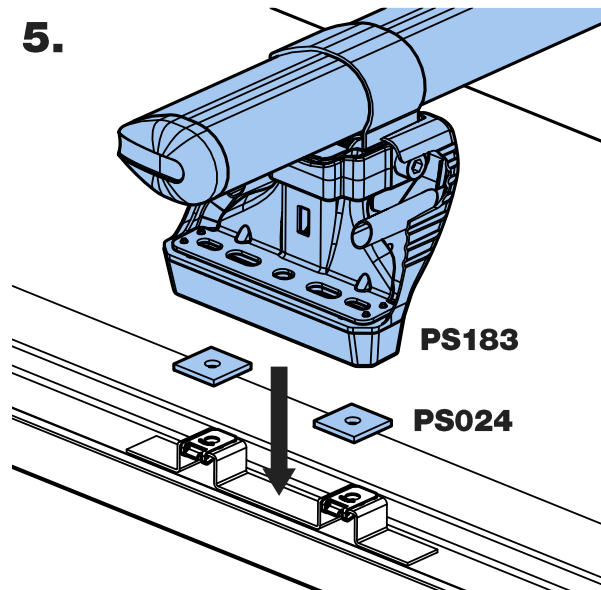


PS183

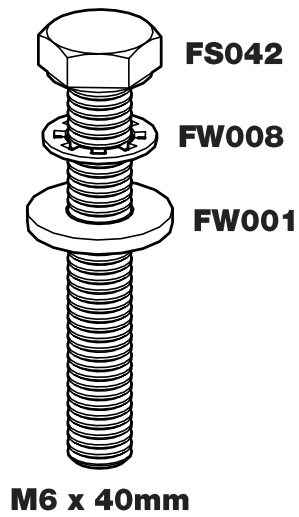
4.



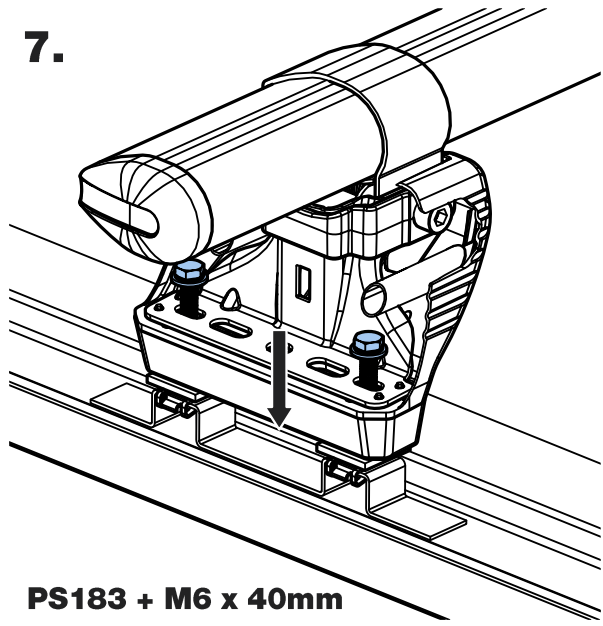
5.



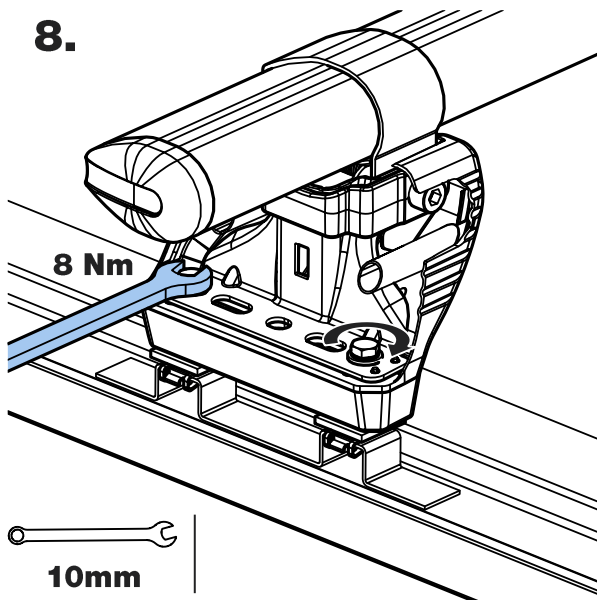
6.



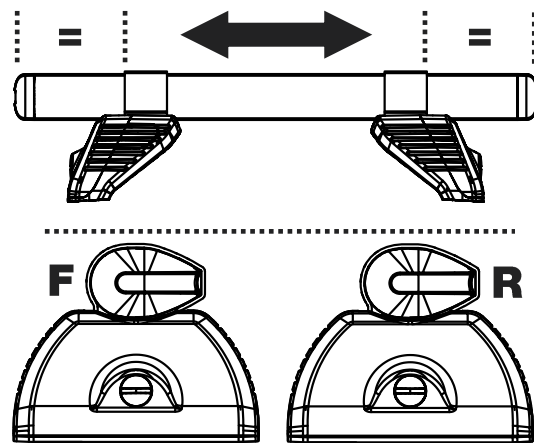
7.



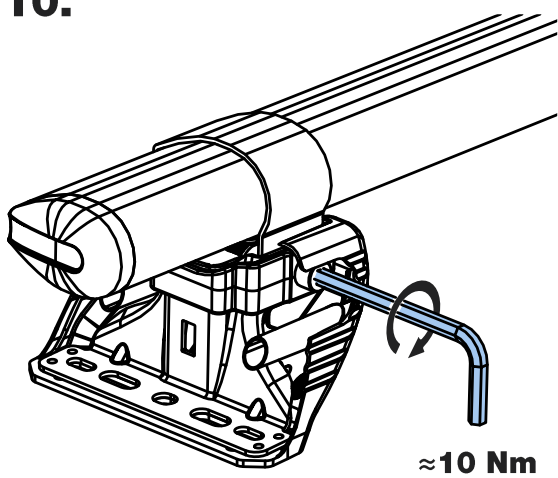
8.



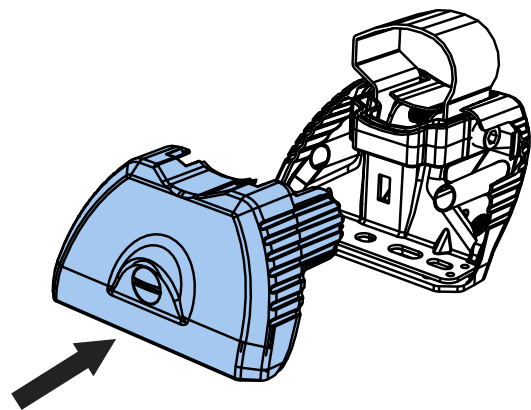
9.



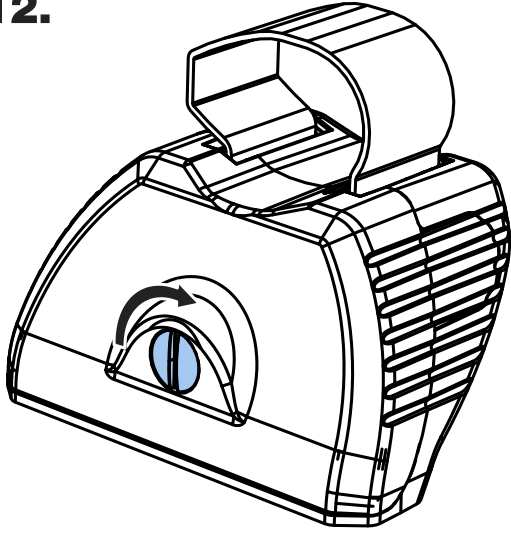
10.



11.



12.



13.

