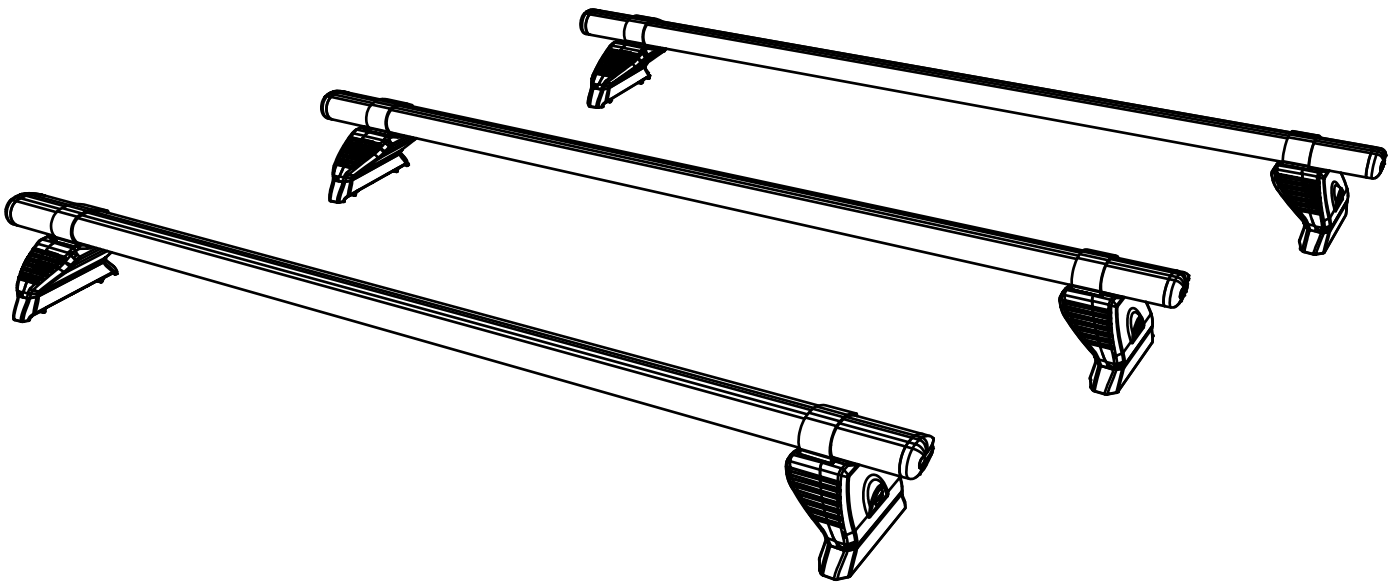


ISSUE:	DRAWN BY:	CHECKED BY:	CRF No:	DATE:	DESCRIPTION:
a	SJ	KB	2758	02/08/22	First Issue
b					
c					
d					
e					
f					
g					
h					
i					
j					
k					
l					
m					

QA3PR/FL

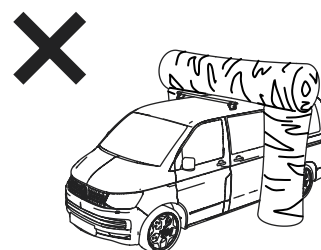
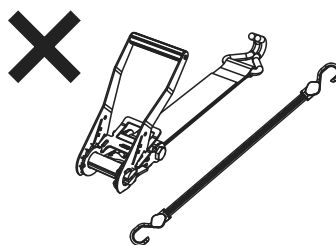
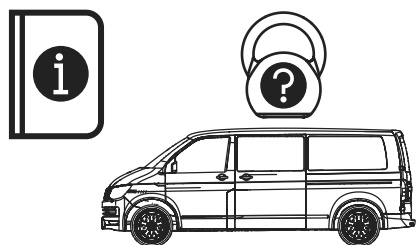
KammBar

Instructions

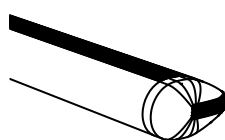


CITY CRASH (✓)

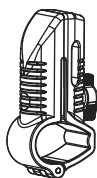
According to ISO/ PAS 11154:2006



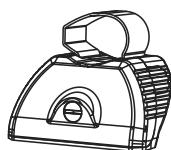
KammBar Pro



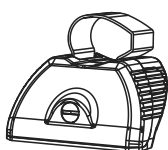
SA421 x 3



SA070 x 4

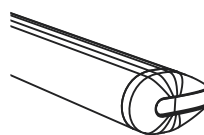


SA397 x 3

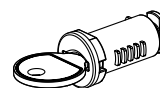


SA398 x 3

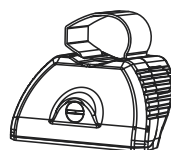
KammBar Fleet



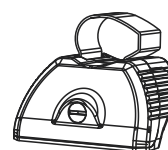
SA395 x 3



C04 x 3
optional upgrade

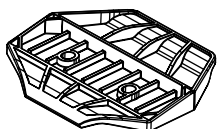


SA397 x 3

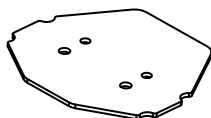


SA398 x 3

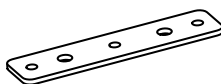
Fitting Kit



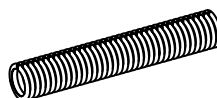
PS177 x 6



PS196 x 6



PS082 x 6



PS133-150 x 1



PS064 x 1



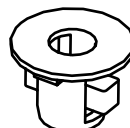
FW002
(M8) x 12



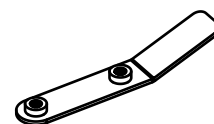
FW001
(M6) x 12



FN006
(M8) x 12



FN003
(M6) x 12



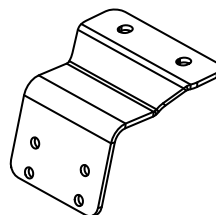
SA013 x 4



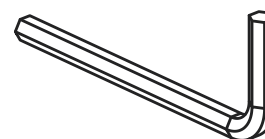
FS066
(M8 x 40) x 12



FS001
(M6 x 20) x 12

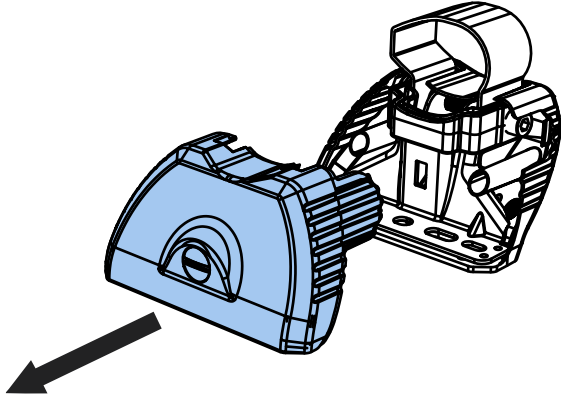


MS267 x 6

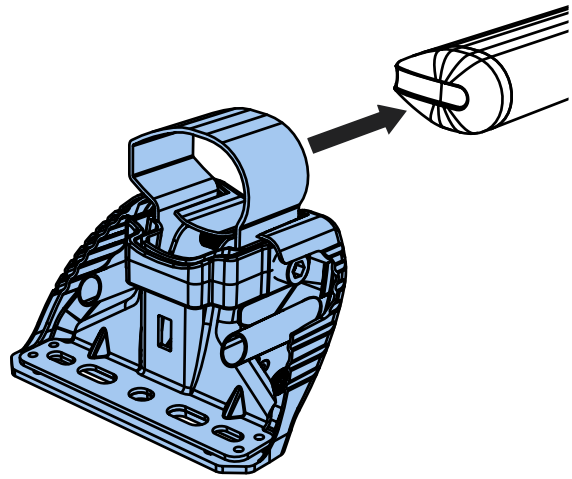


FT01 x 2

1.



2.



3.



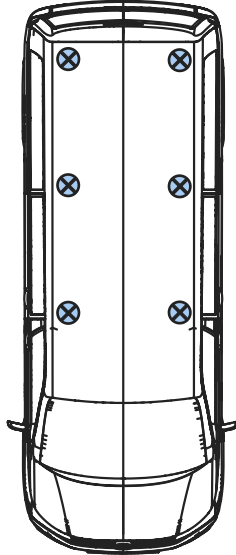
SA397
PS177



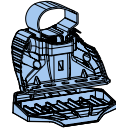
SA397
PS177



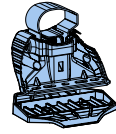
SA397
PS177



SA398
PS177



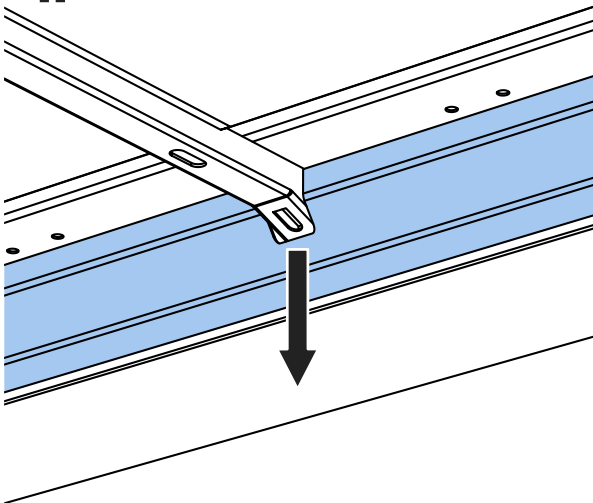
SA398
PS177



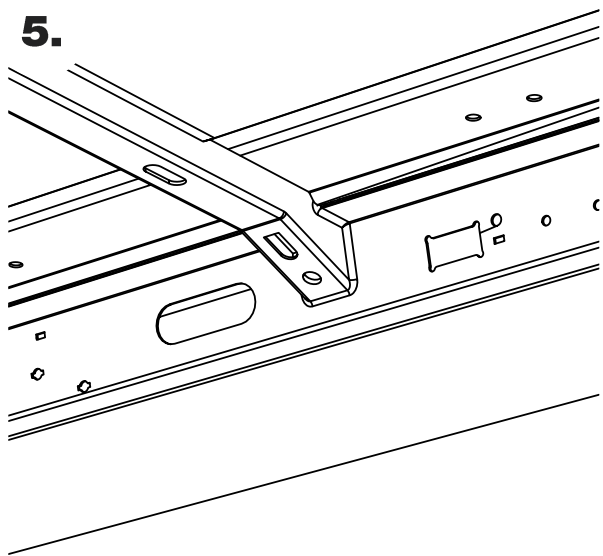
SA398
PS177

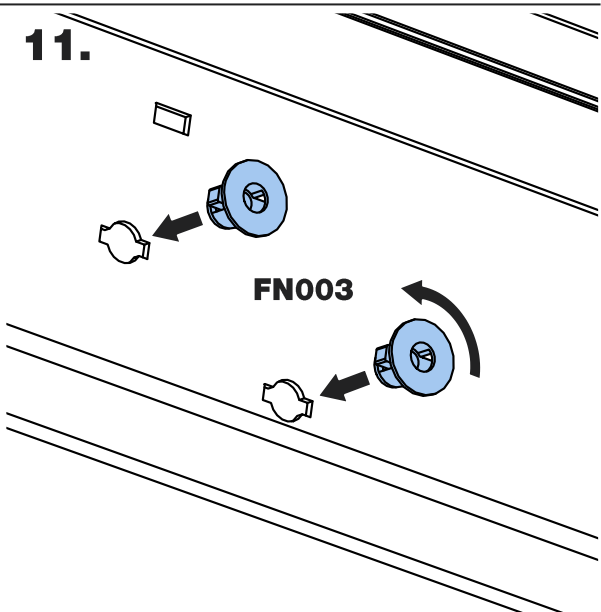
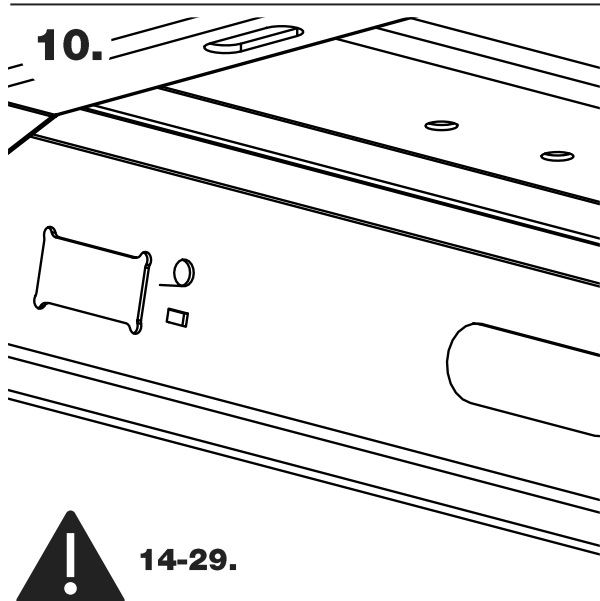
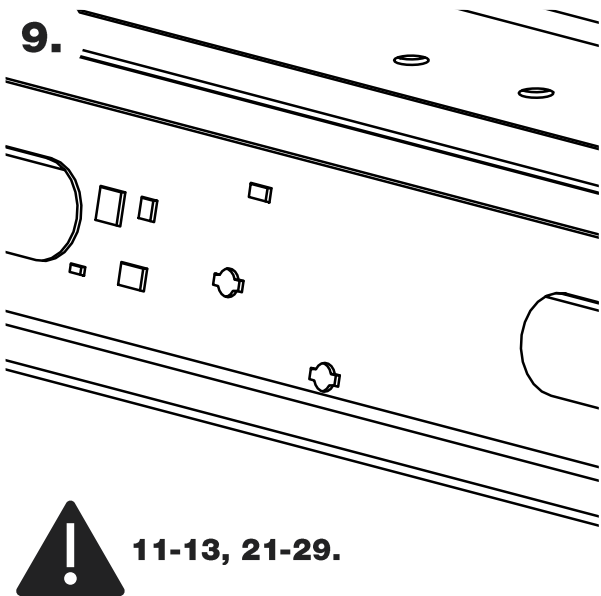
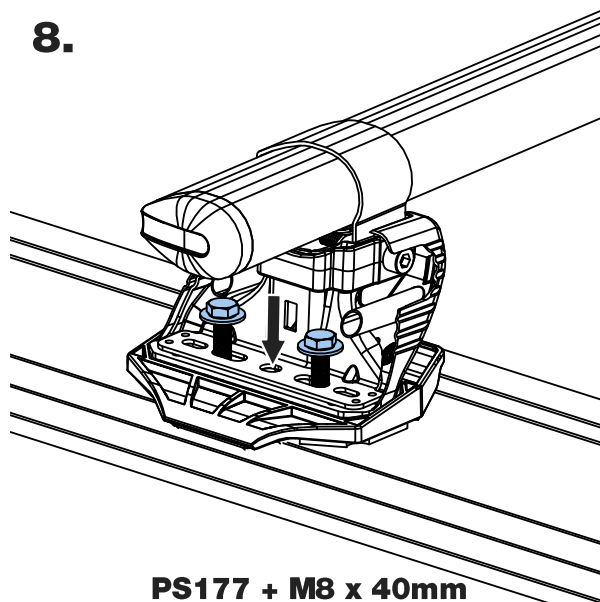
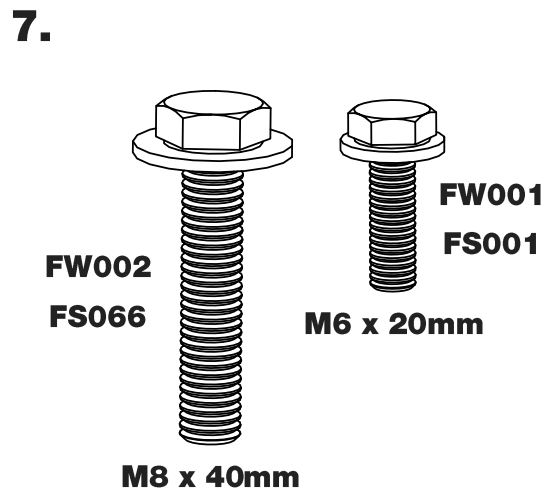
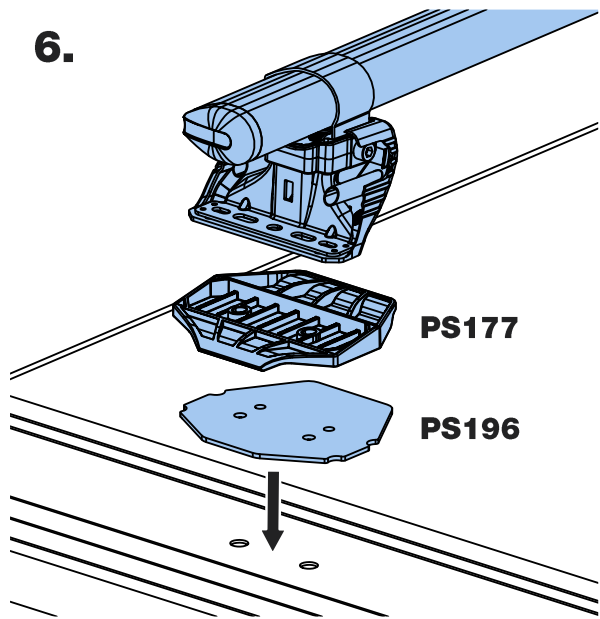


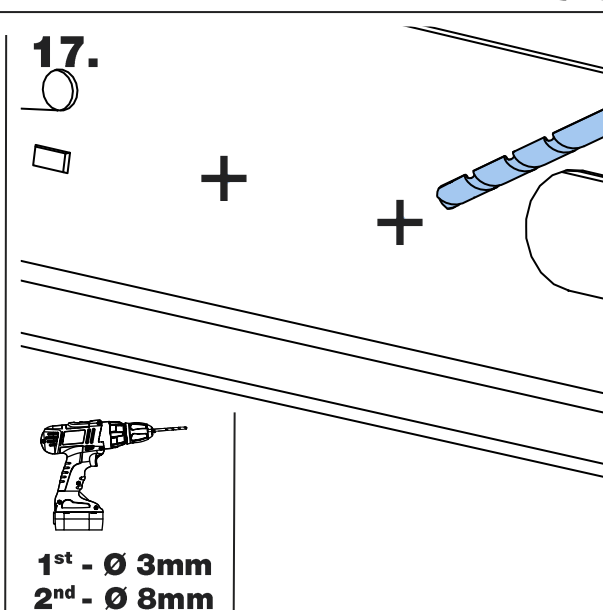
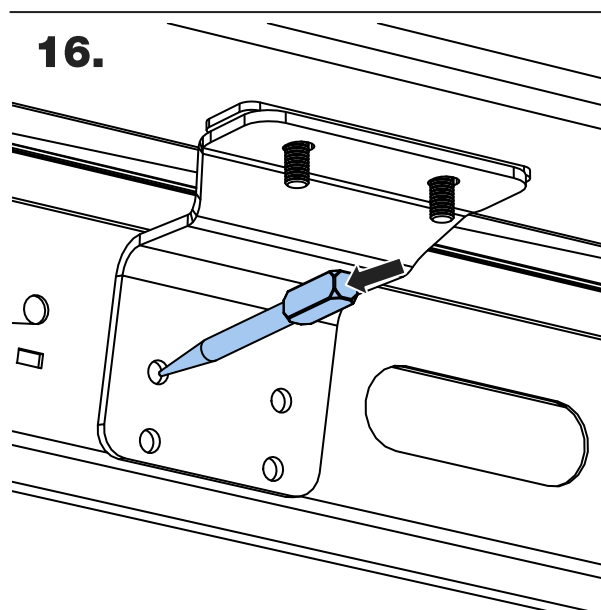
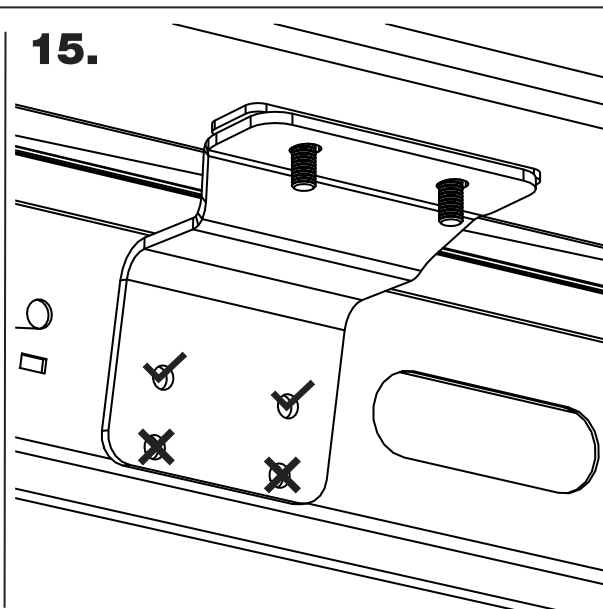
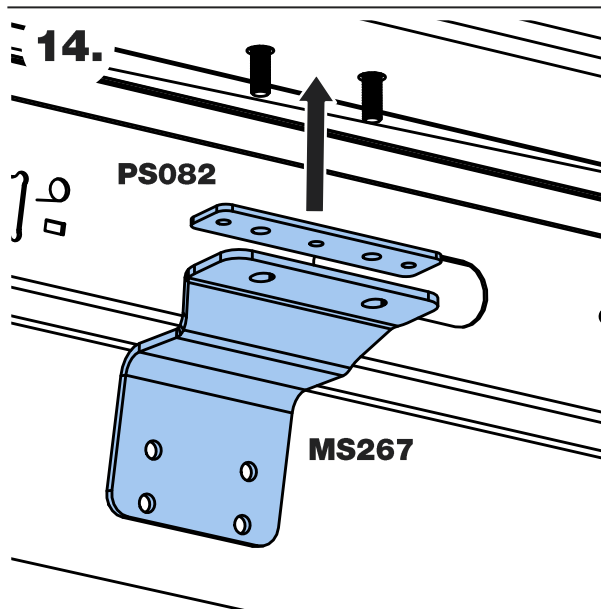
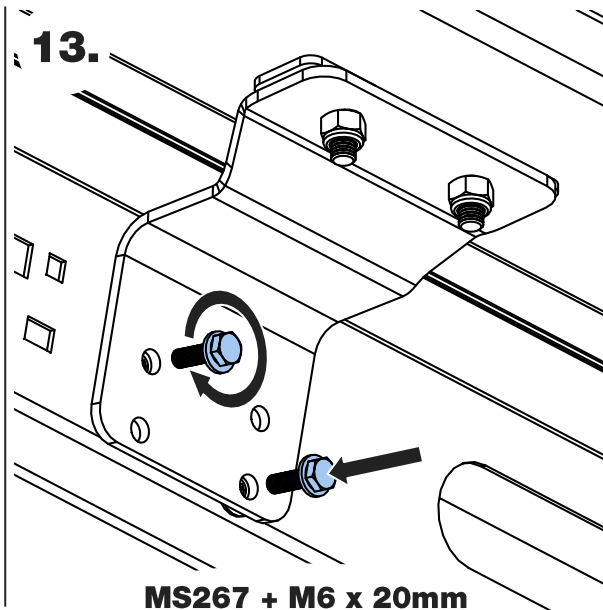
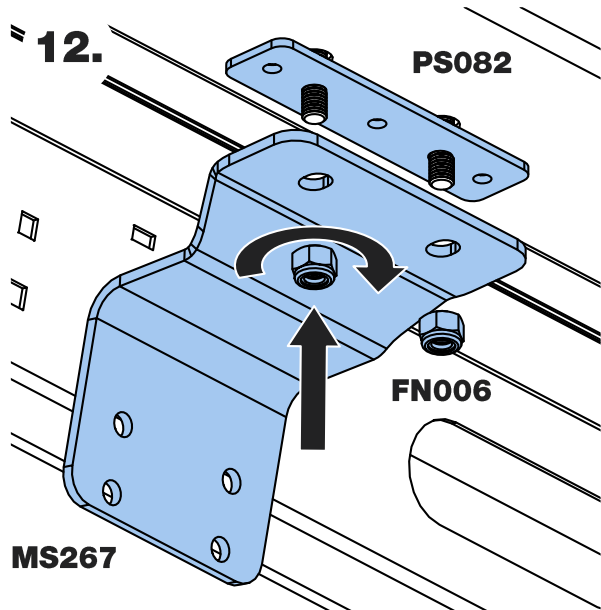
4.

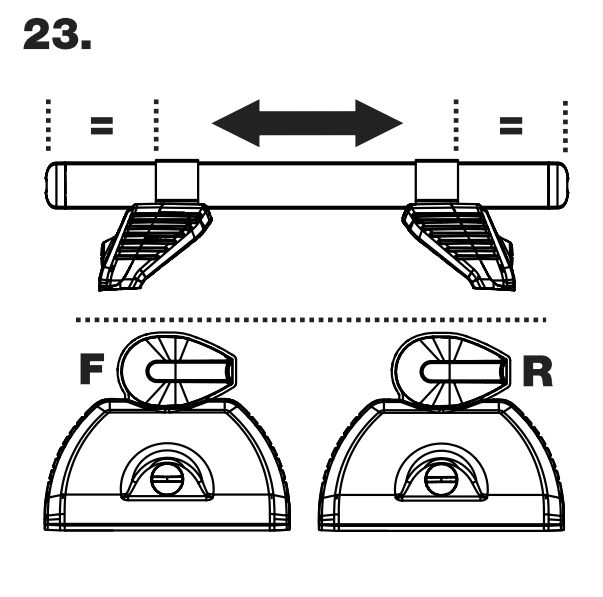
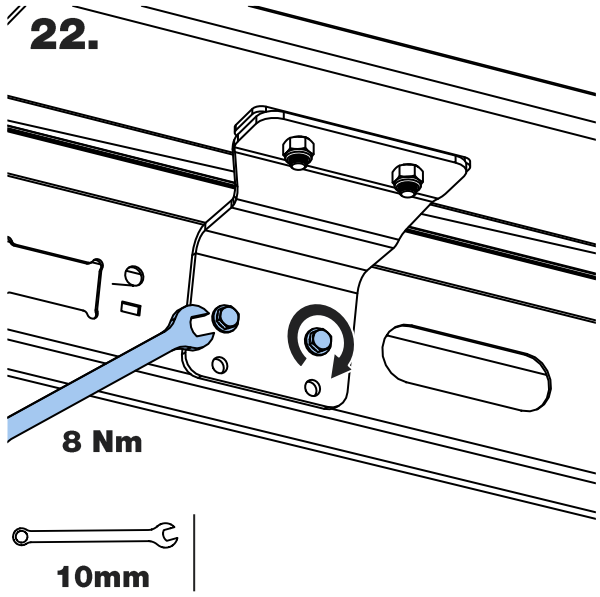
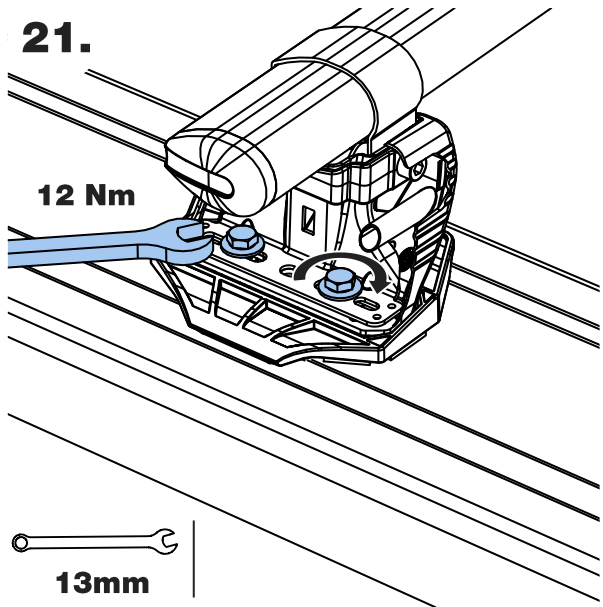
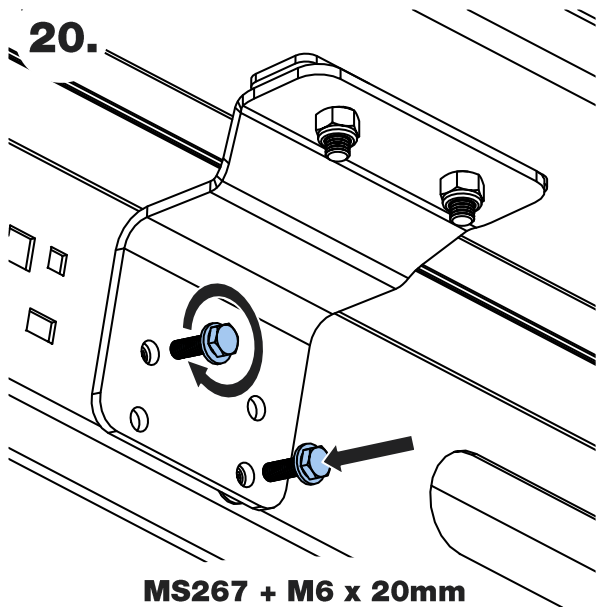
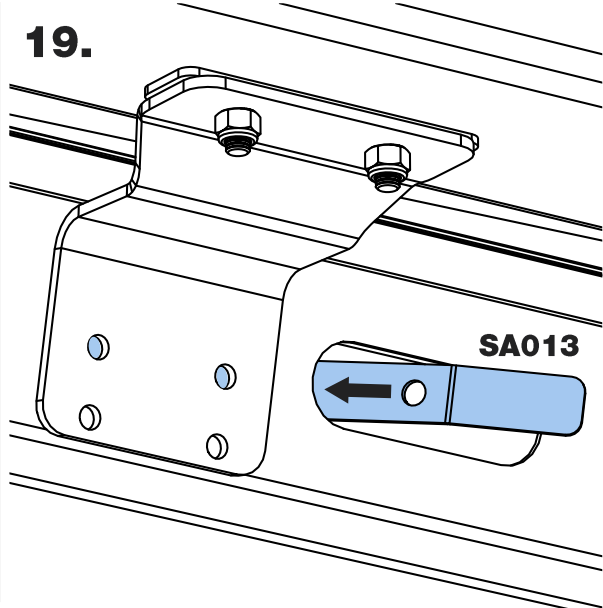
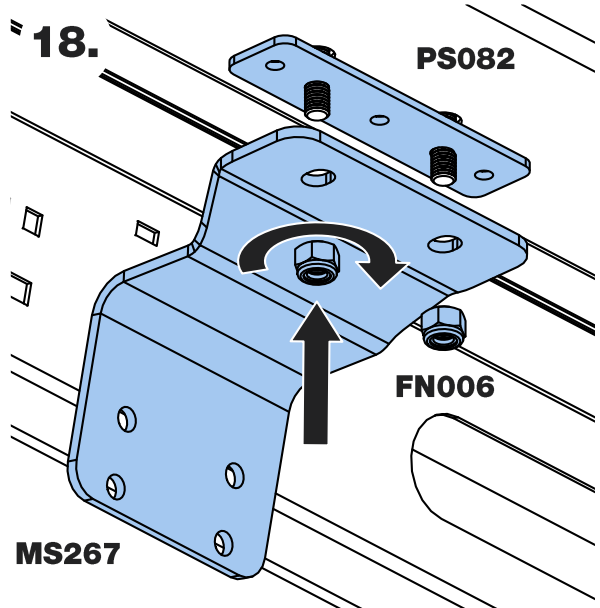


5.

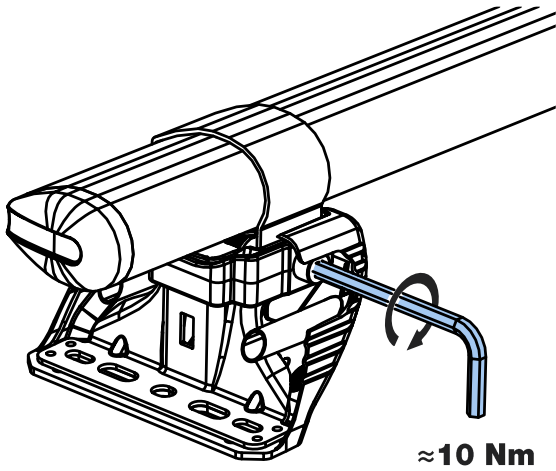




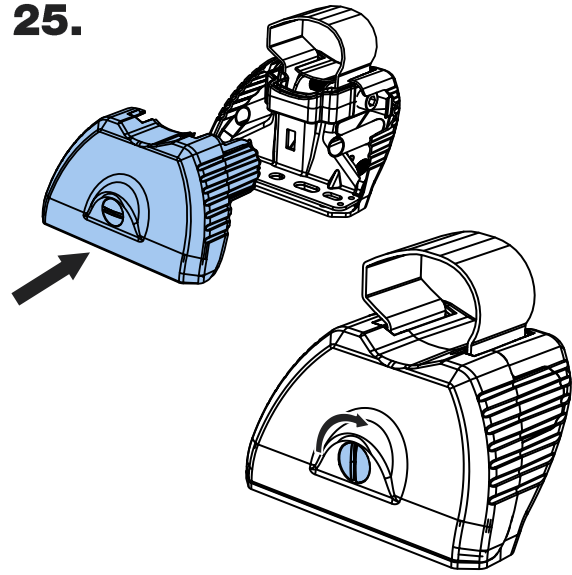




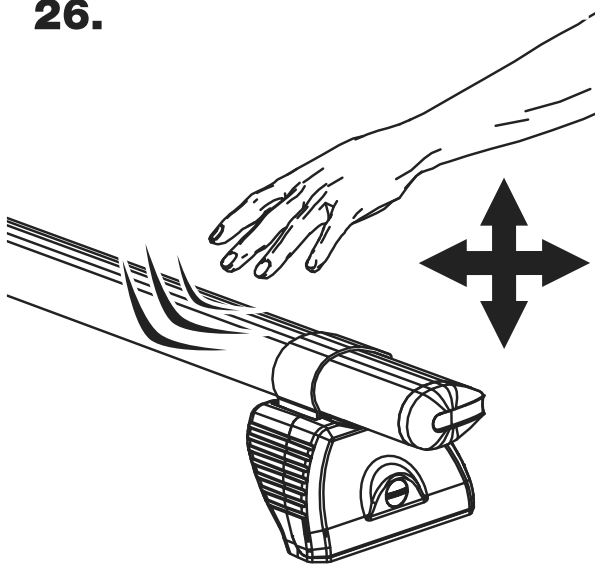
24.



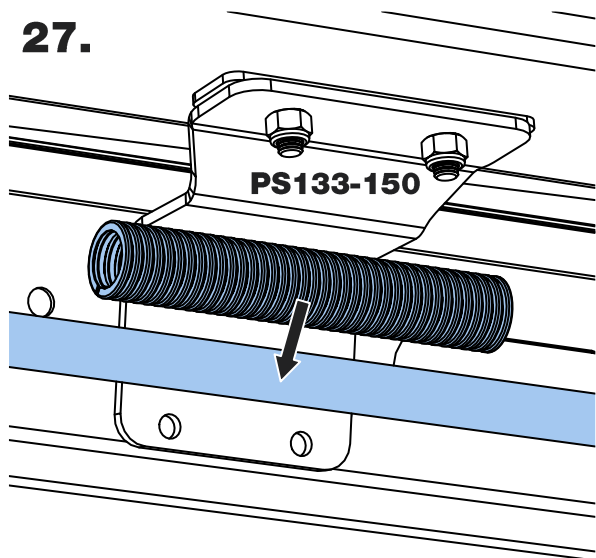
25.



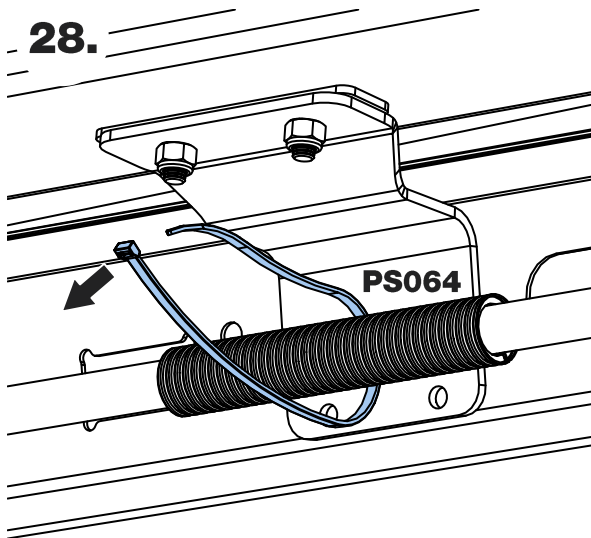
26.



27.



28.



29.

