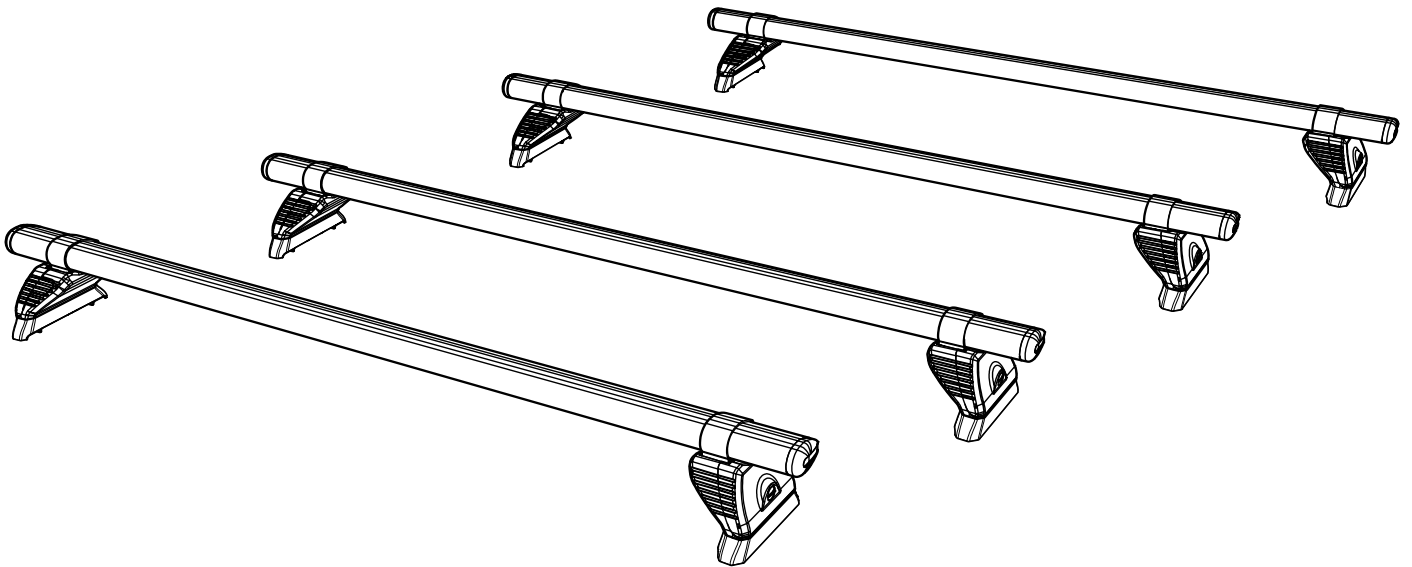


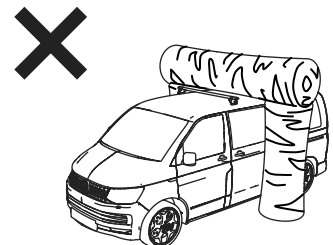
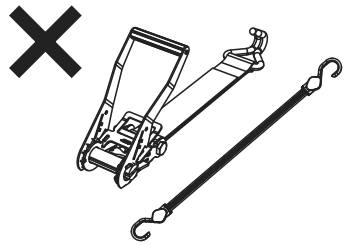
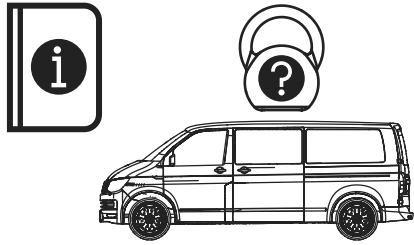
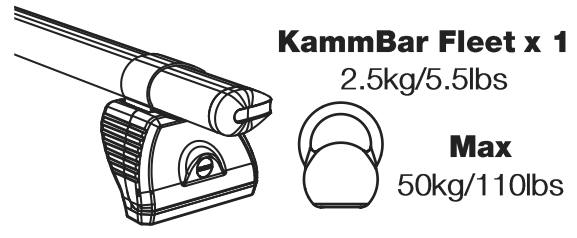
ISSUE:	DRAWN BY:	CHECKED BY:	CRF No:	DATE:	DESCRIPTION:
a	SJ	KB	2758	02/08/22	First Issue
b	SJ	KB	2781	16/08/22	See QA4PR/FL BOM's
c					
d					
e					
f					
g					
h					
i					
j					
k					
l					
m					

QA4PR/FL KammBar Instructions

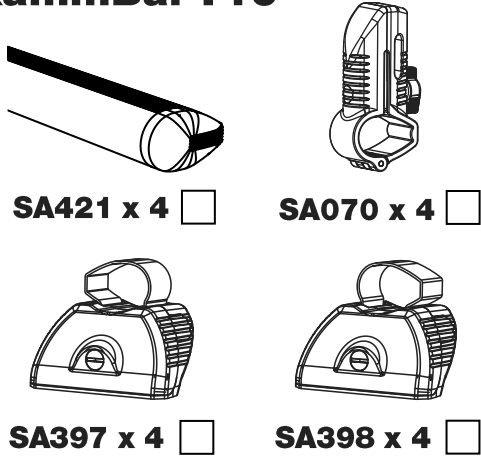


CITY CRASH (✓)

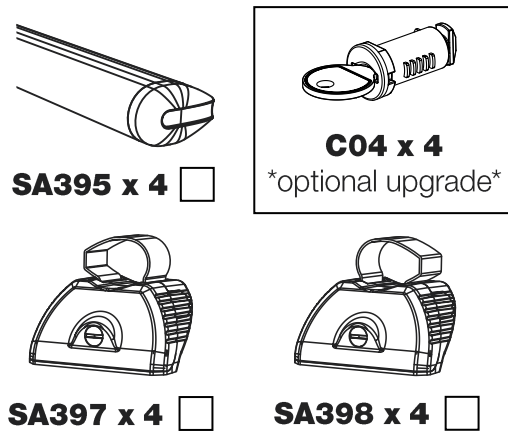
According to ISO/ PAS 11154:2006



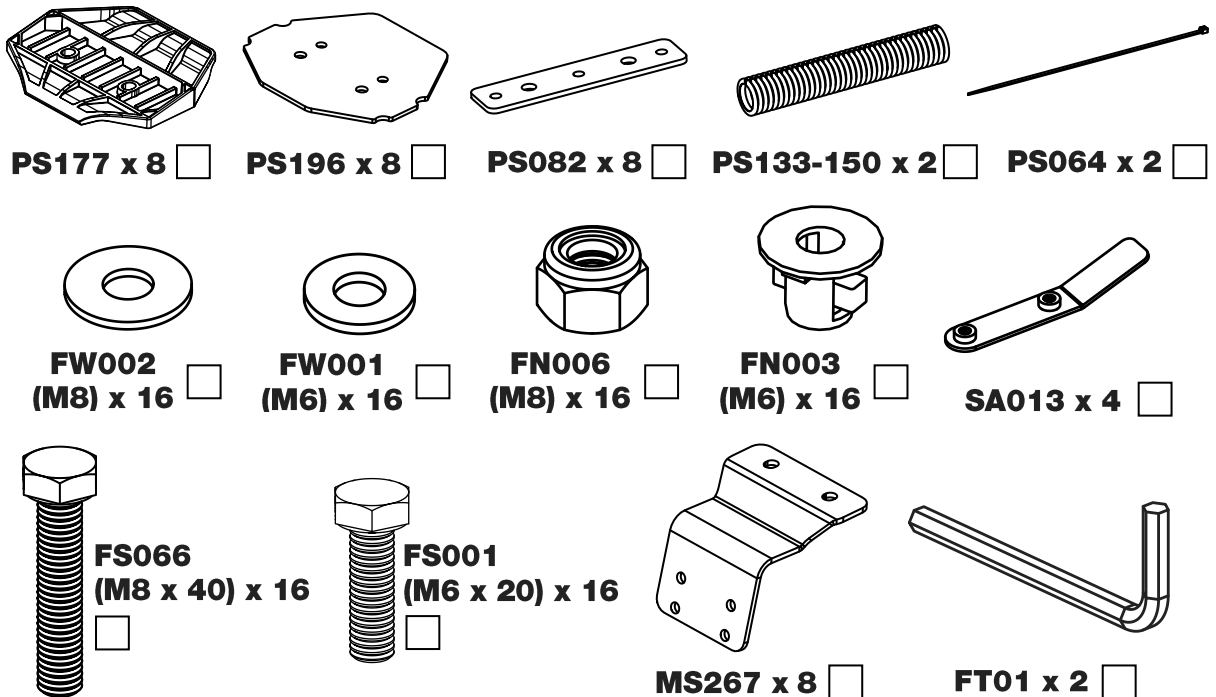
KammBar Pro



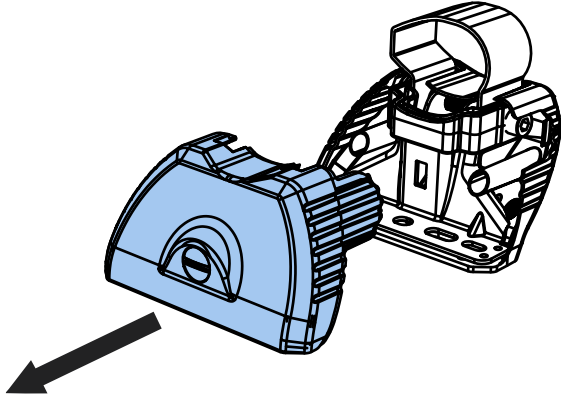
KammBar Fleet



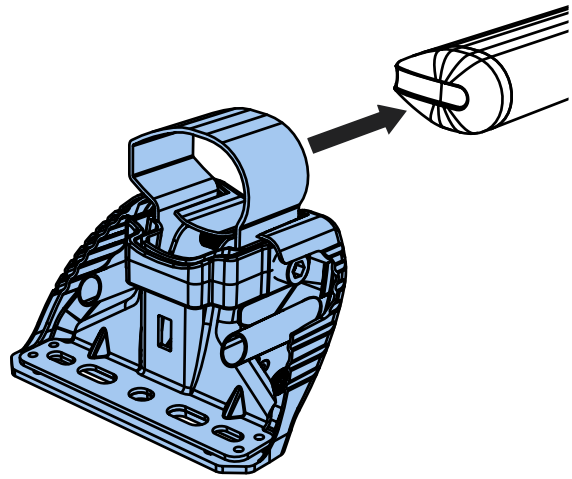
Fitting Kit



1.



2.



3.



SA397

PS177



SA397

PS177



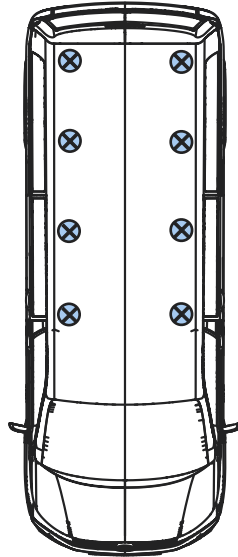
SA397

PS177

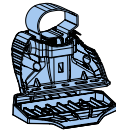


SA397

PS177

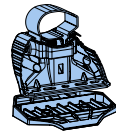


SA398



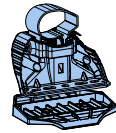
PS177

SA398



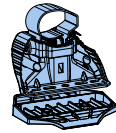
PS177

SA398



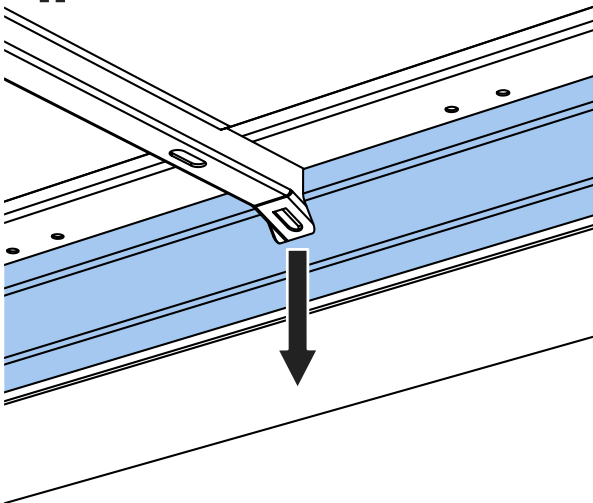
PS177

SA398

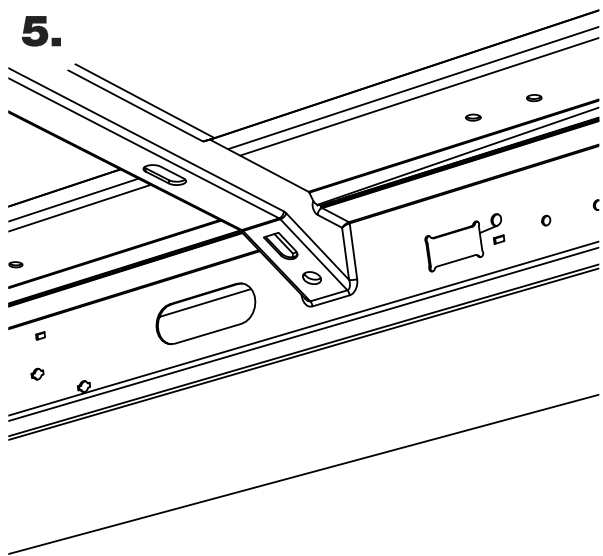


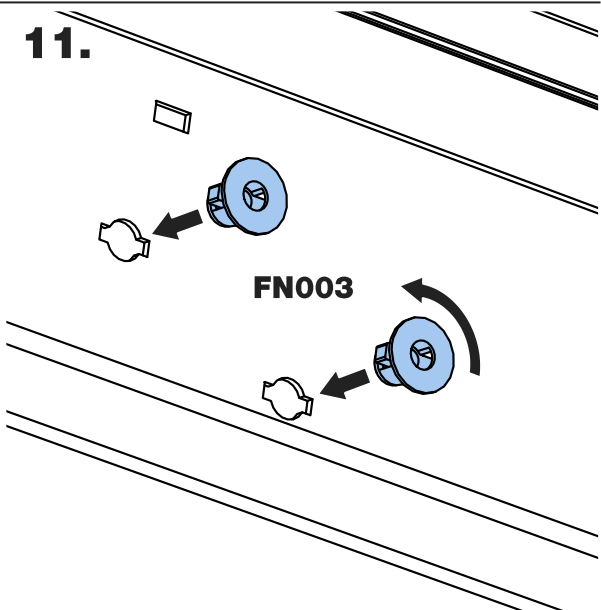
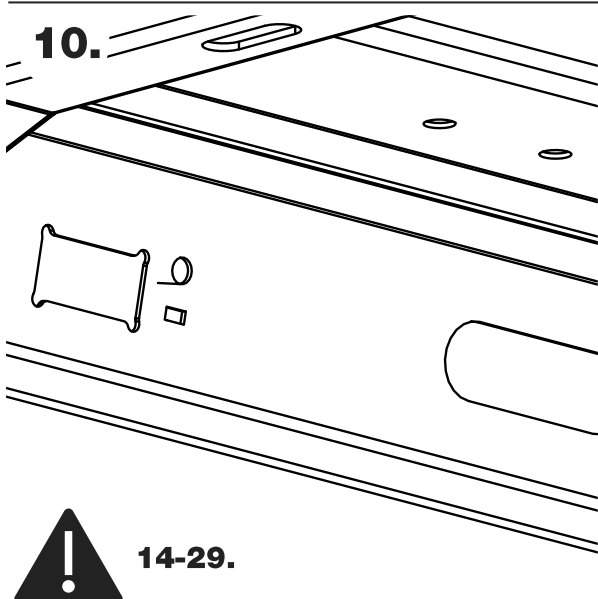
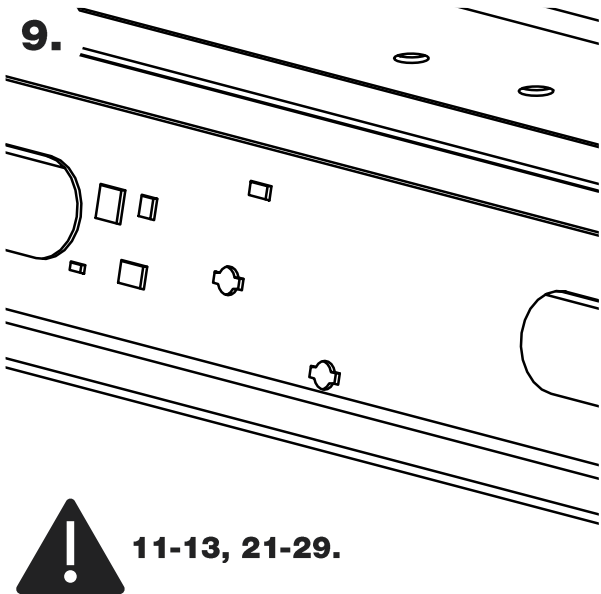
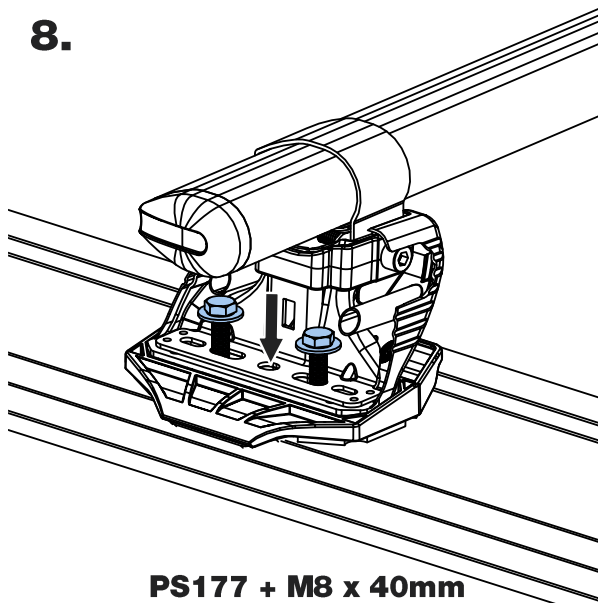
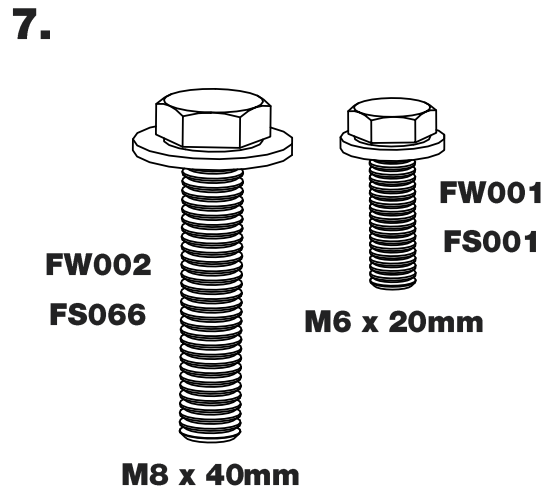
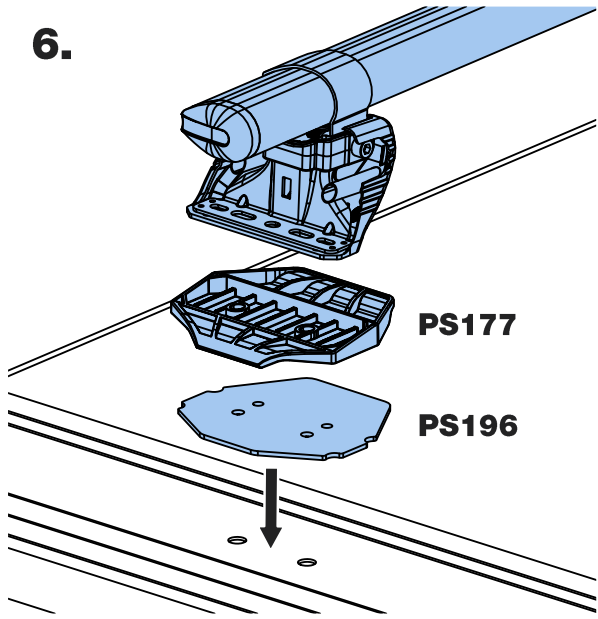
PS177

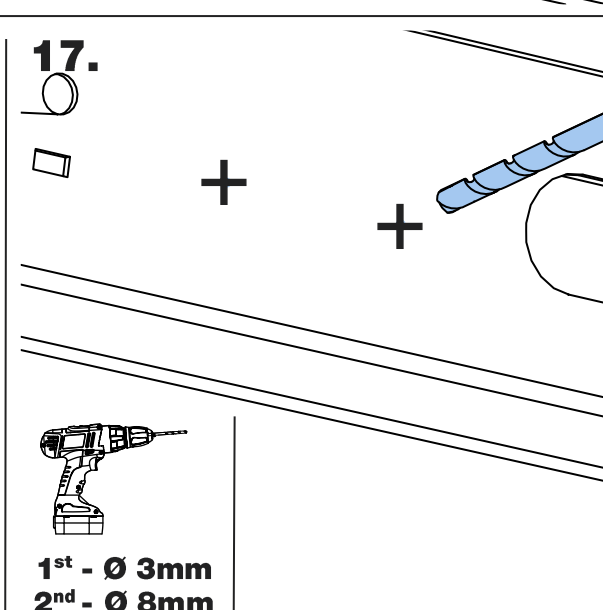
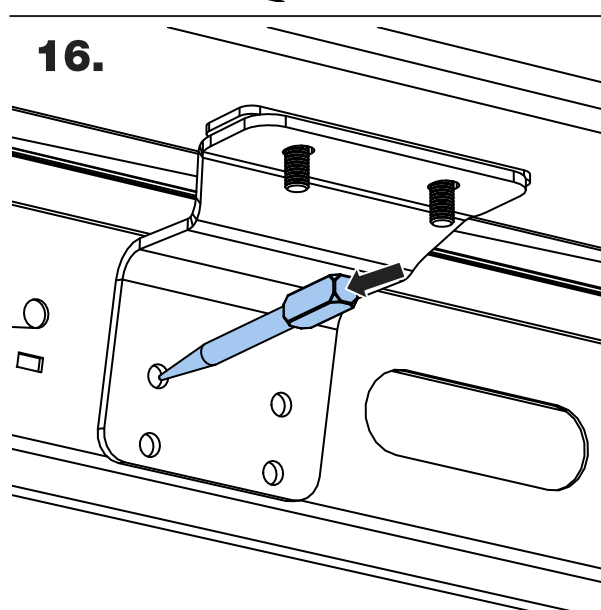
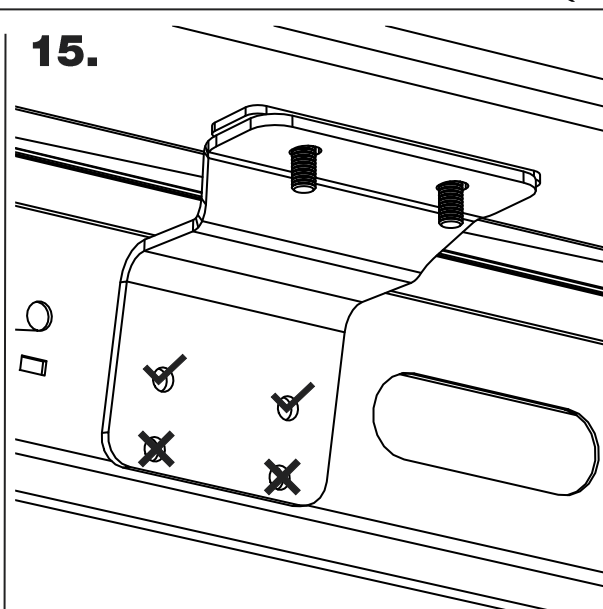
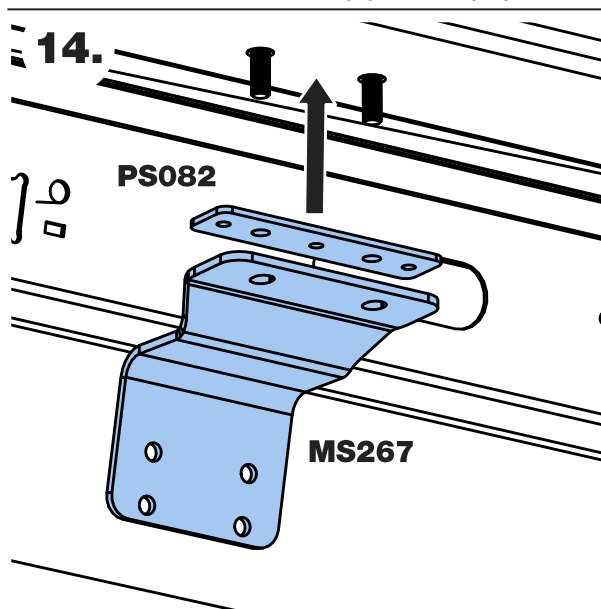
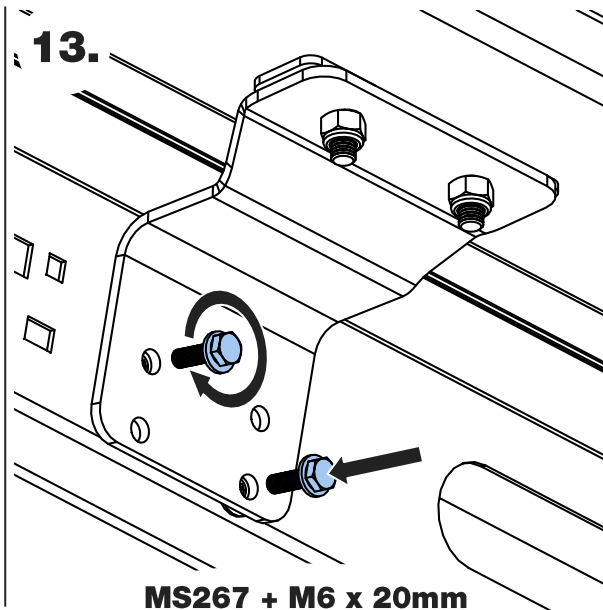
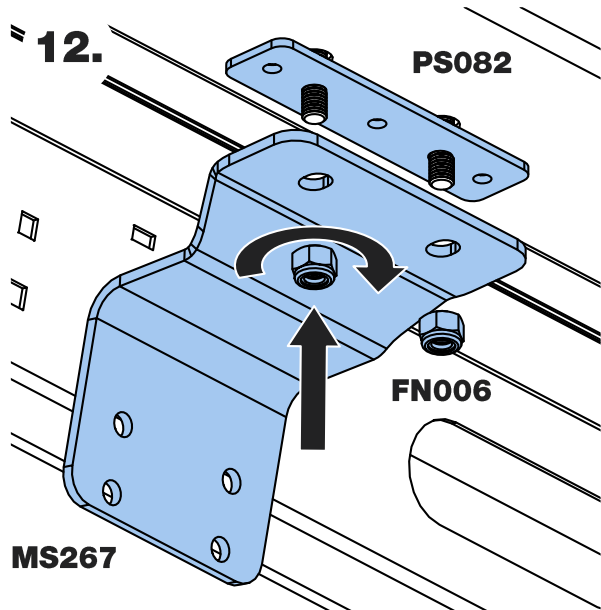
4.

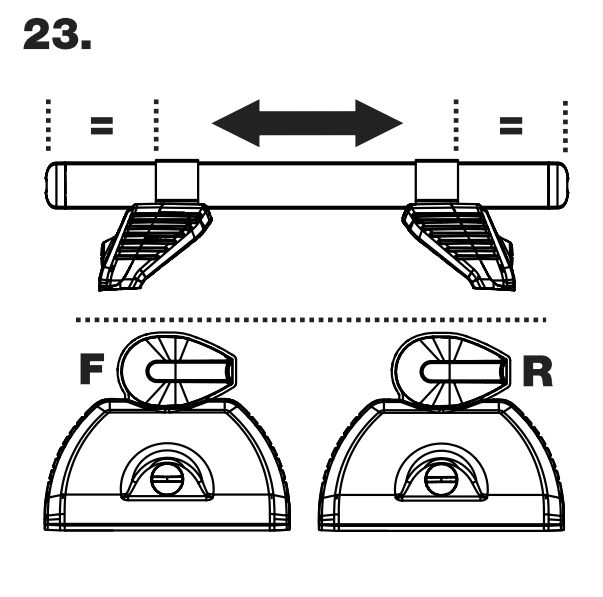
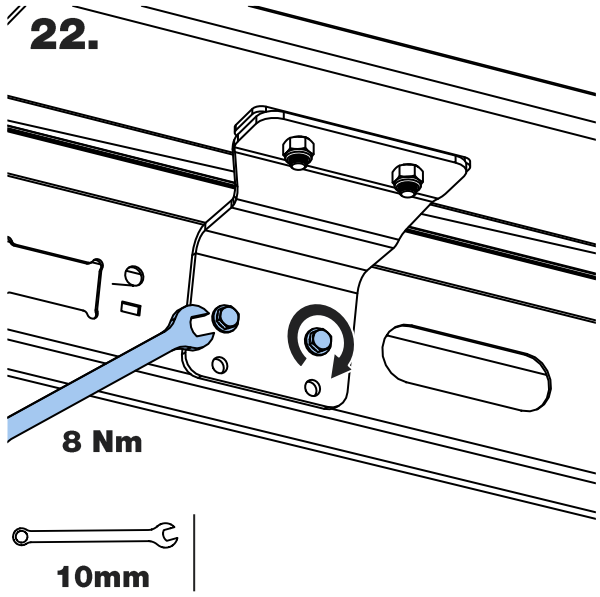
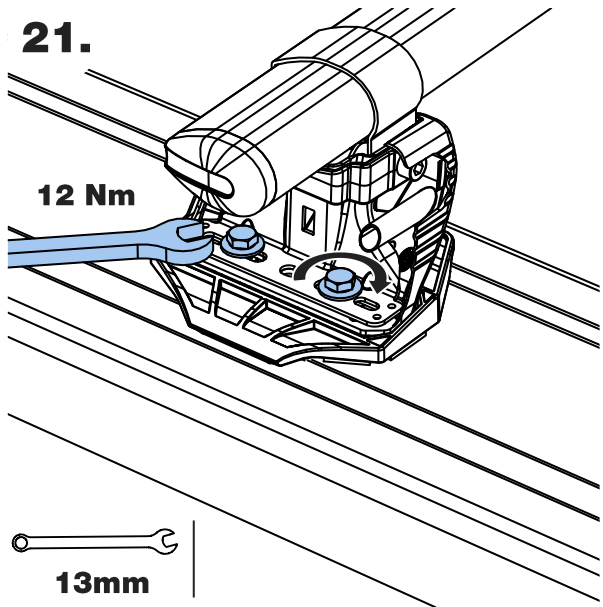
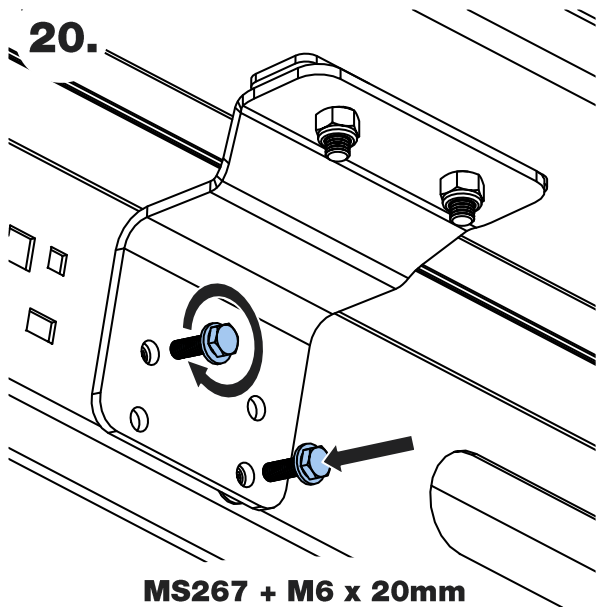
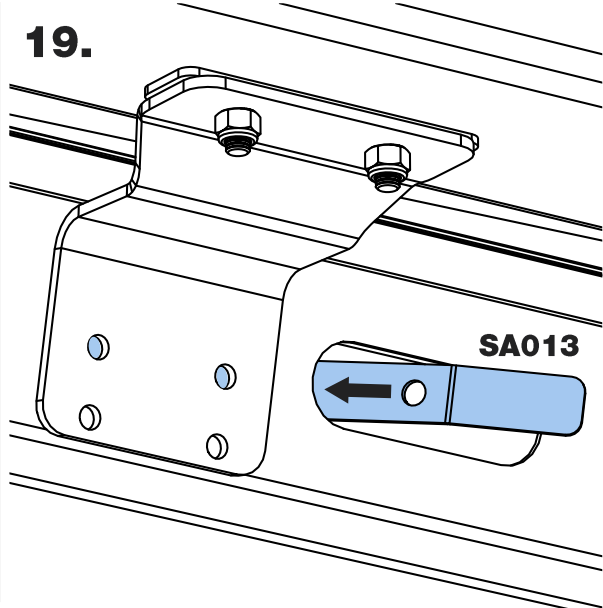
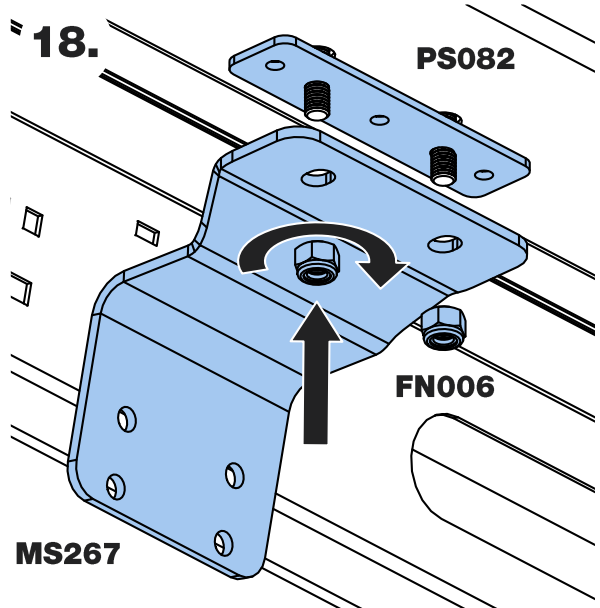


5.

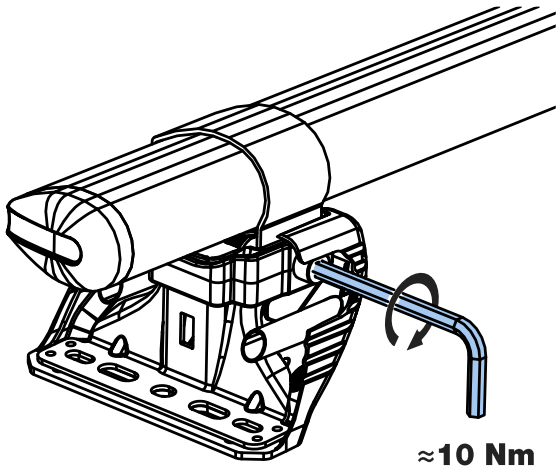




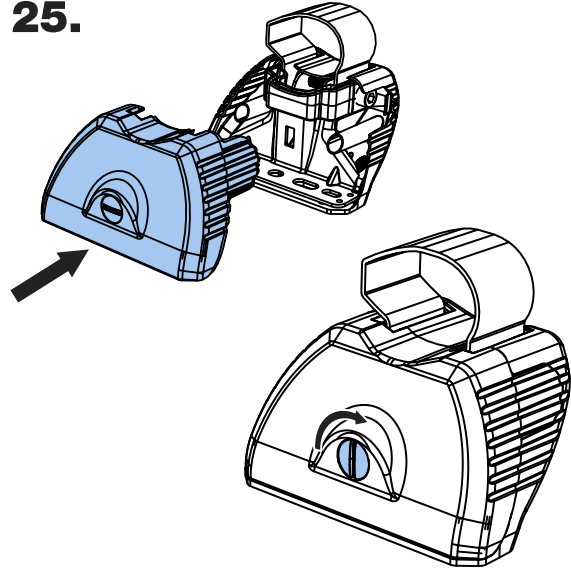




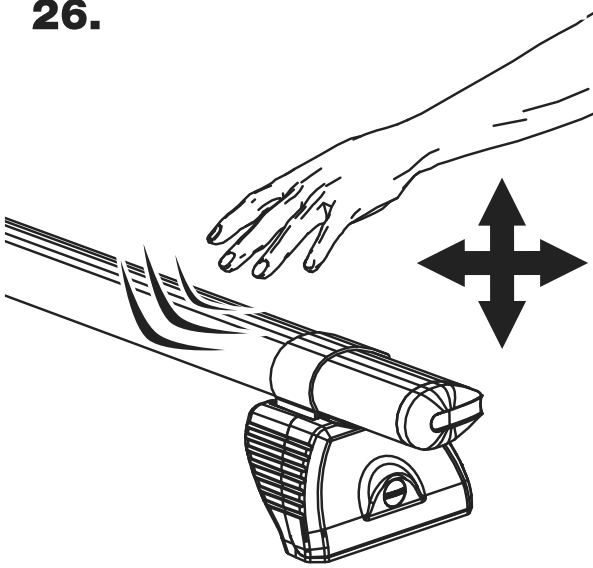
24.



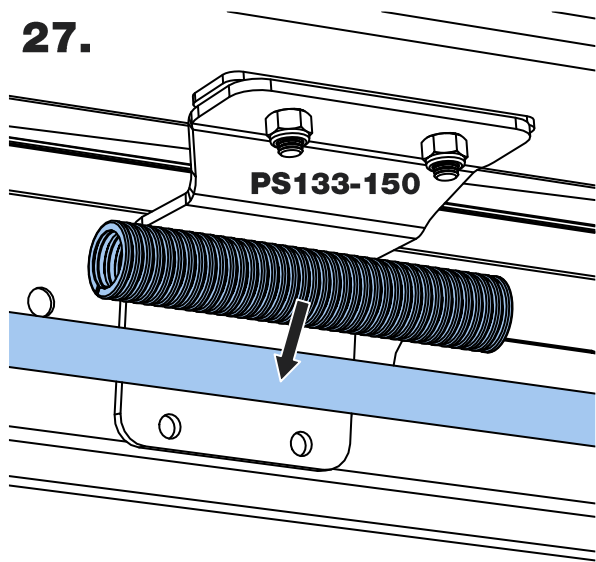
25.



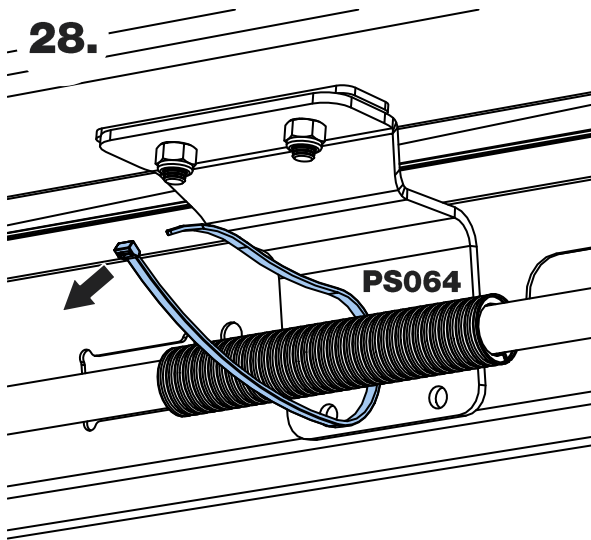
26.



27.



28.



29.

