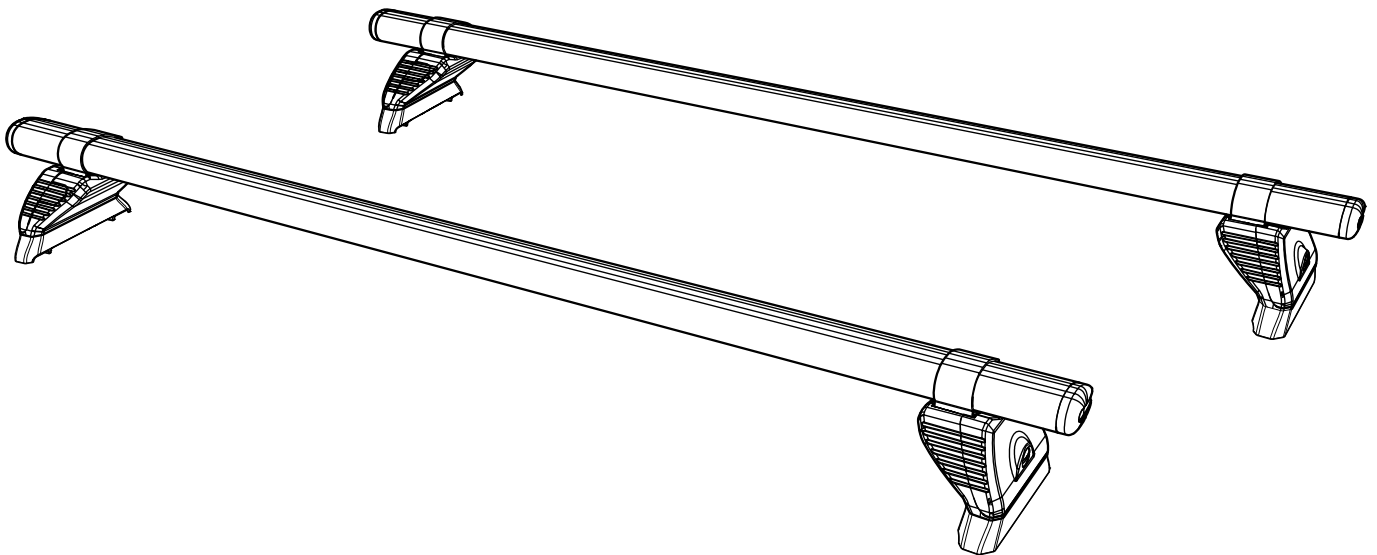


<b>ISSUE:</b>	<b>DRAWN BY:</b>	<b>CHECKED BY:</b>	<b>CRF No:</b>	<b>DATE:</b>	<b>DESCRIPTION:</b>
a	SJ	KB	2758	02/08/22	First Issue
b					
c					
d					
e					
f					
g					
h					
i					
j					
k					
l					
m					

# KB2PR/FL

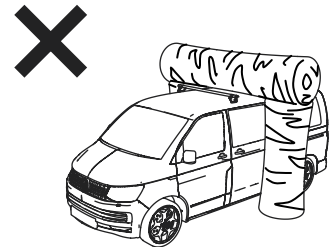
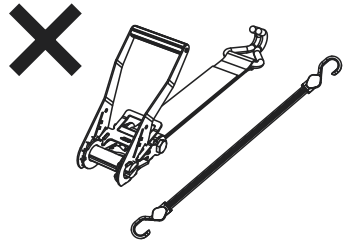
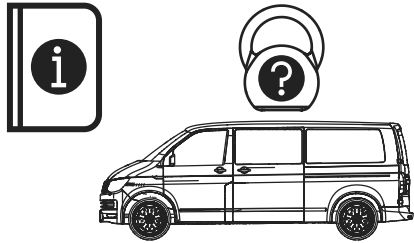
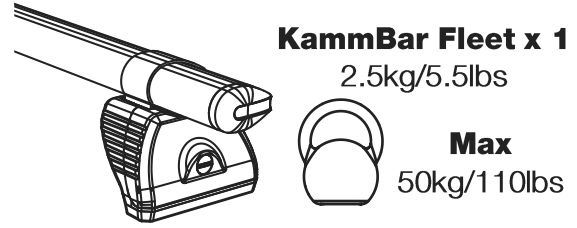
# KammBar

## Instructions

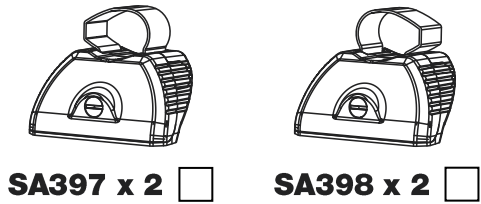
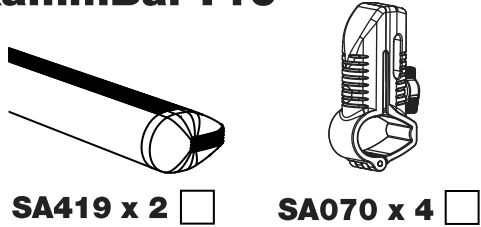


**CITY CRASH** (✓)

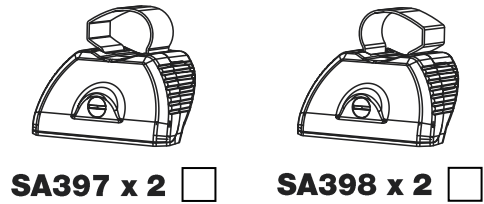
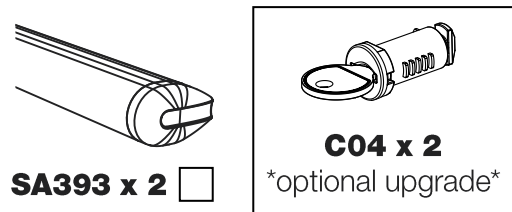
According to ISO/ PAS 11154:2006



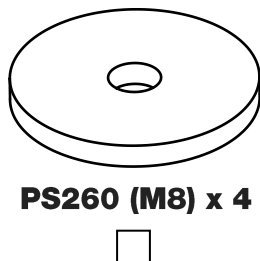
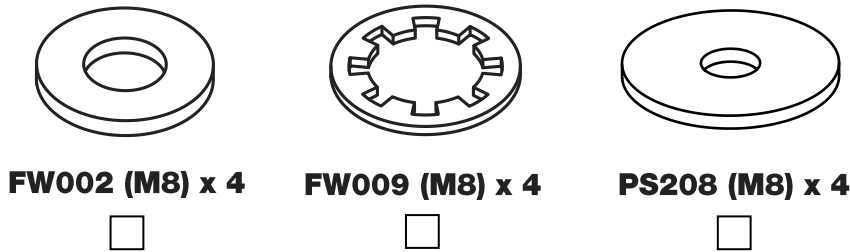
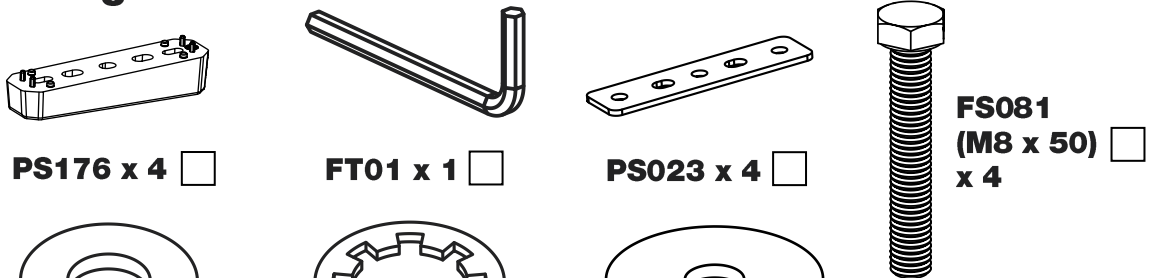
### KammBar Pro



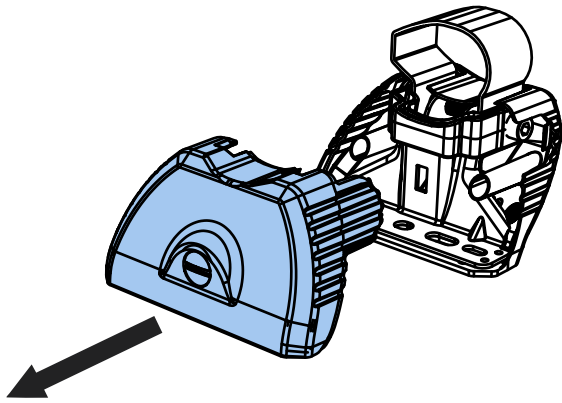
### KammBar Fleet



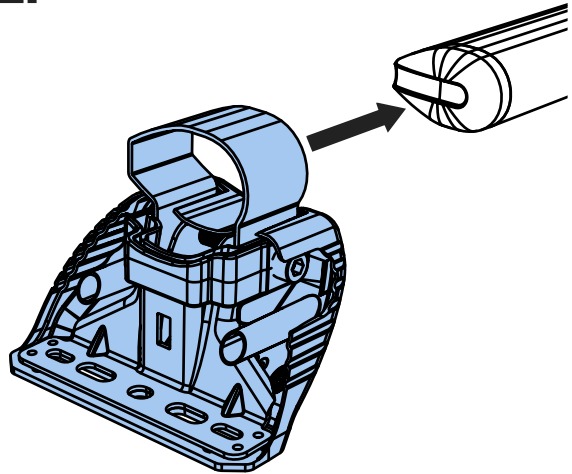
### Fitting Kit



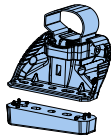
1.



2.



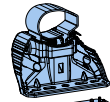
3.



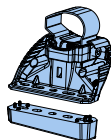
SA397

PS176

SA398



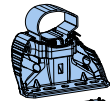
PS176



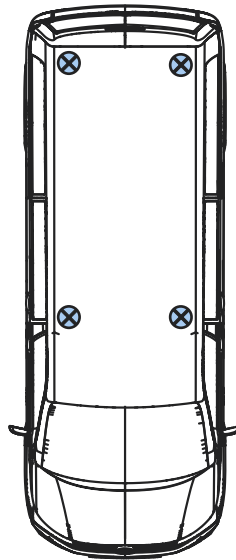
SA397

PS176

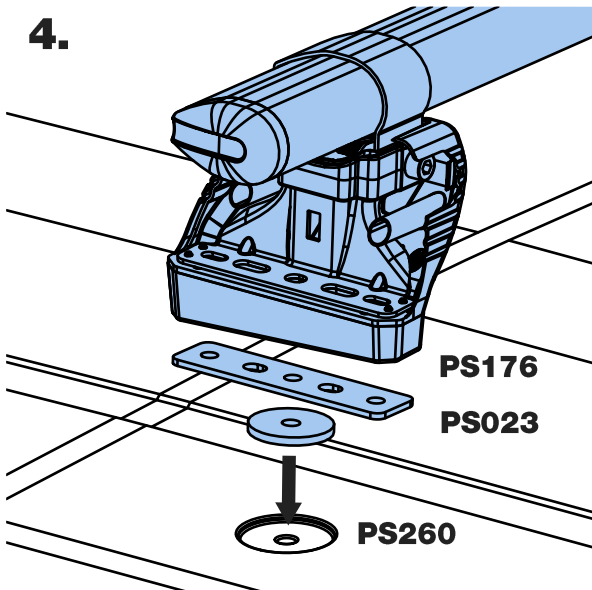
SA398



PS176



4.

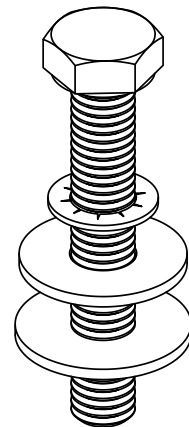


PS176

PS023

PS260

5.



FS081

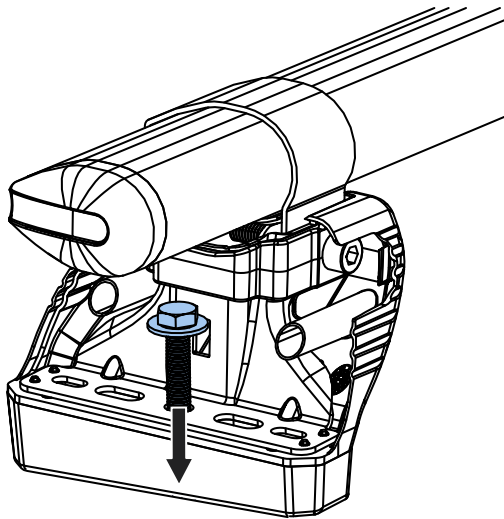
FW009

FW002

PS208

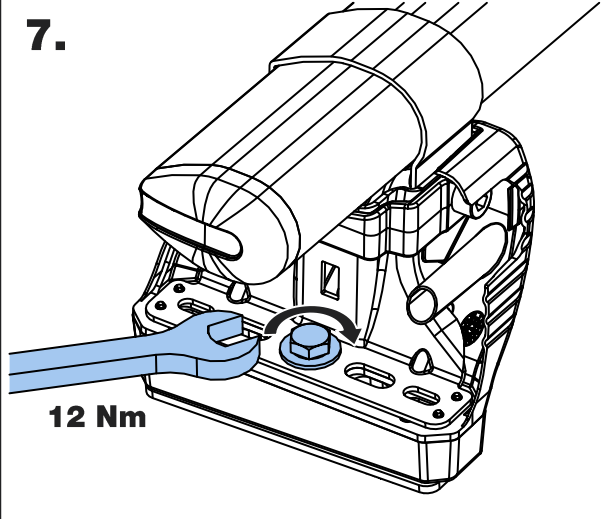
M8 x 50mm

6.

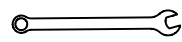


PS176 + M8 x 50mm

7.

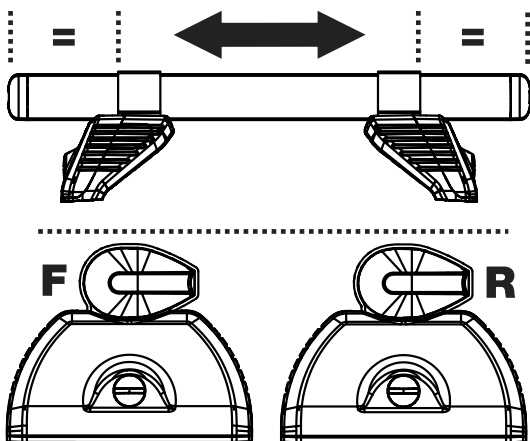


12 Nm

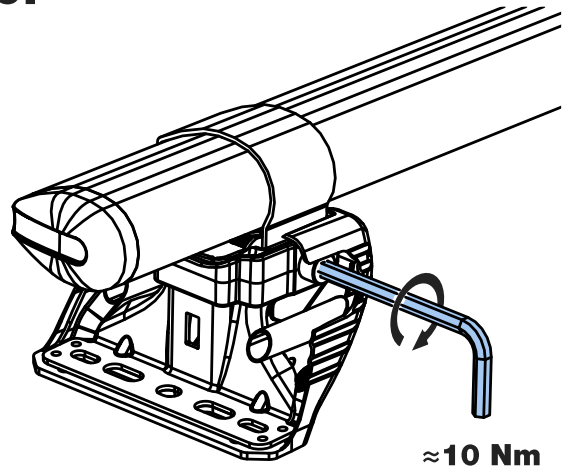


13mm

8.

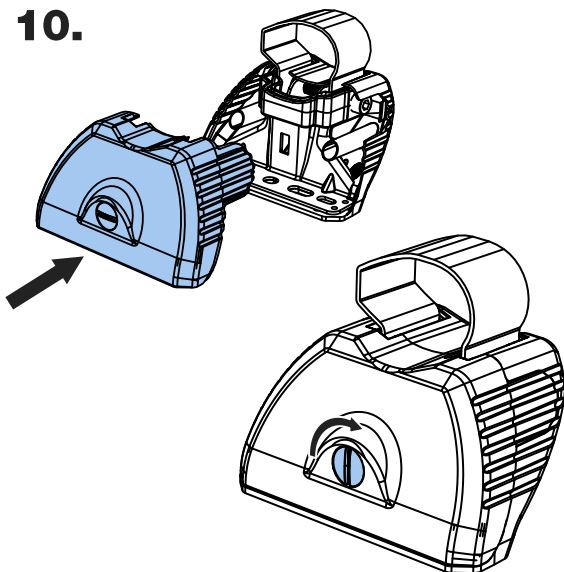


9.



≈ 10 Nm

10.



11.

