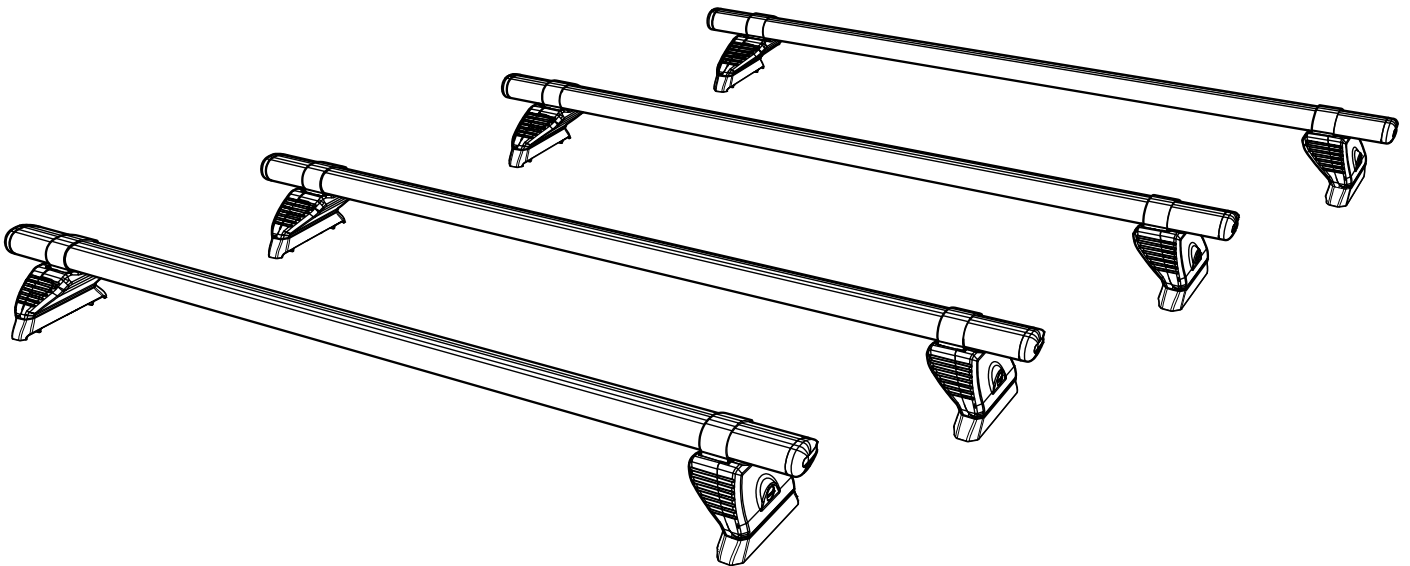


ISSUE:	DRAWN BY:	CHECKED BY:	CRF No:	DATE:	DESCRIPTION:
a	SJ	KB	2758	02/08/22	First Issue
b					
c					
d					
e					
f					
g					
h					
i					
j					
k					
l					
m					

KB4PR/FL

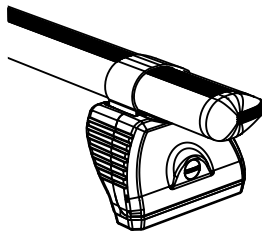
KammBar

Instructions



CITY CRASH (✓)

According to ISO/ PAS 11154:2006



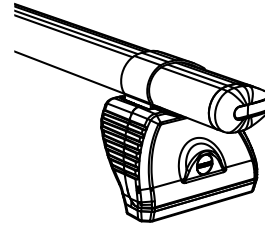
KammBar Pro x 1

2.2kg/4.9lbs



Max

75kg/165lbs



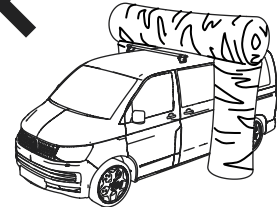
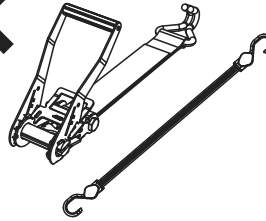
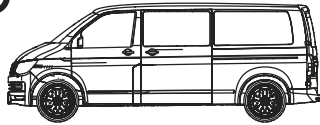
KammBar Fleet x 1

2.5kg/5.5lbs

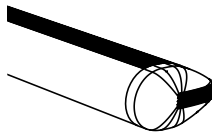


Max

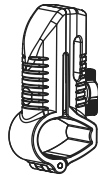
50kg/110lbs



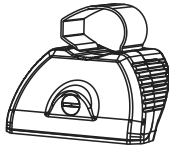
KammBar Pro



SA419 x 4



SA070 x 4

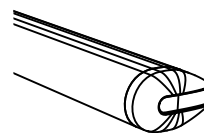


SA397 x 4

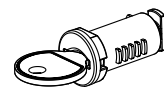


SA398 x 4

KammBar Fleet

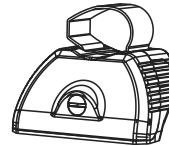


SA393 x 4

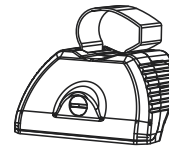


C04 x 4

optional upgrade

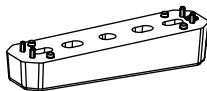


SA397 x 4

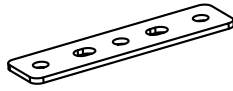


SA398 x 4

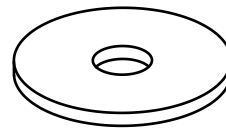
Fitting Kit



PS176 x 4



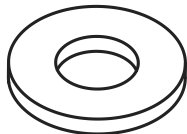
PS023 x 8



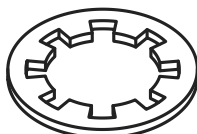
PS260 (M8) x 8



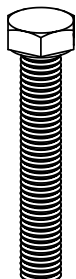
FT01 x 1



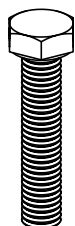
FW002 (M8) x 8



FW009 (M8) x 8

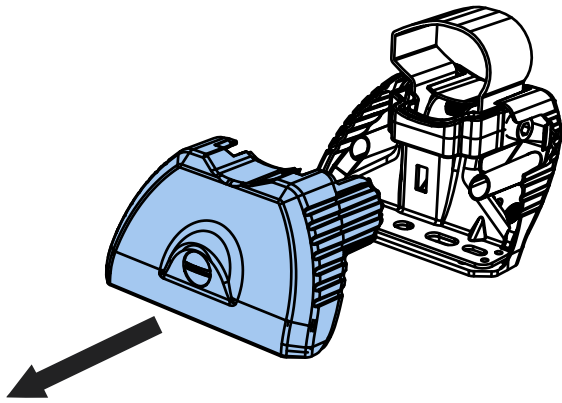


FS081
(M8 x 50)
x 4

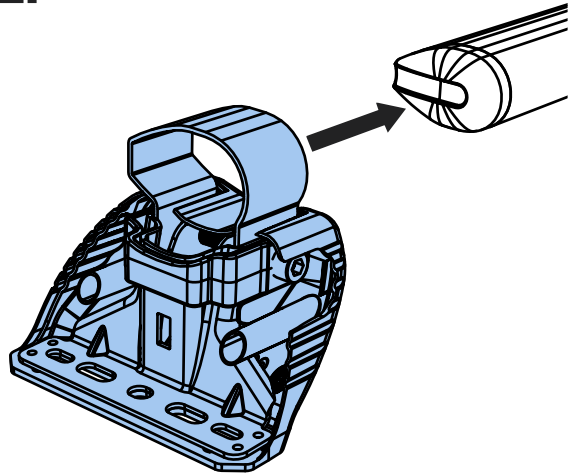


FS062
(M8 x 25)
x 4

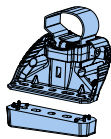
1.



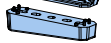
2.



3.



SA397



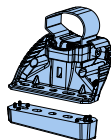
PS176



SA397

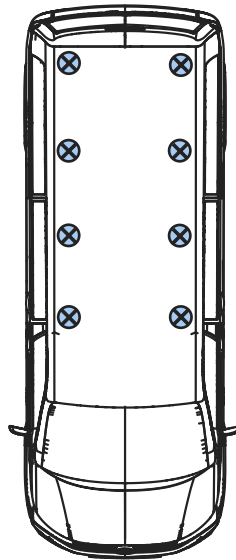


SA397



SA397

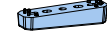
PS176



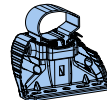
SA398



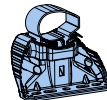
PS176



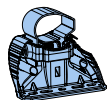
SA398



SA398



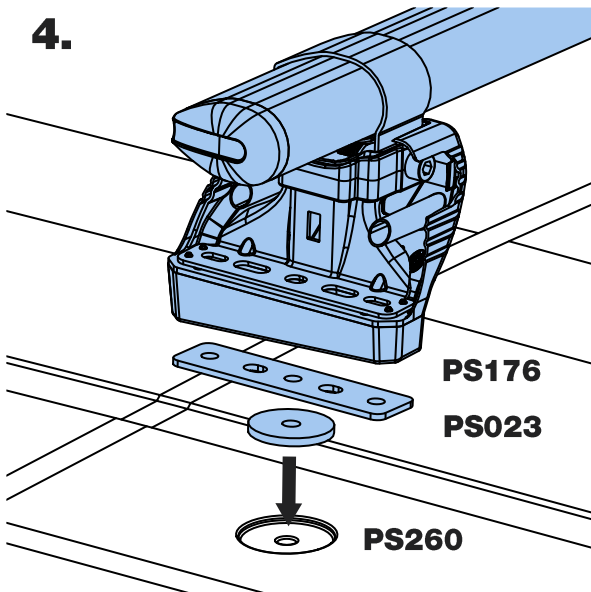
SA398



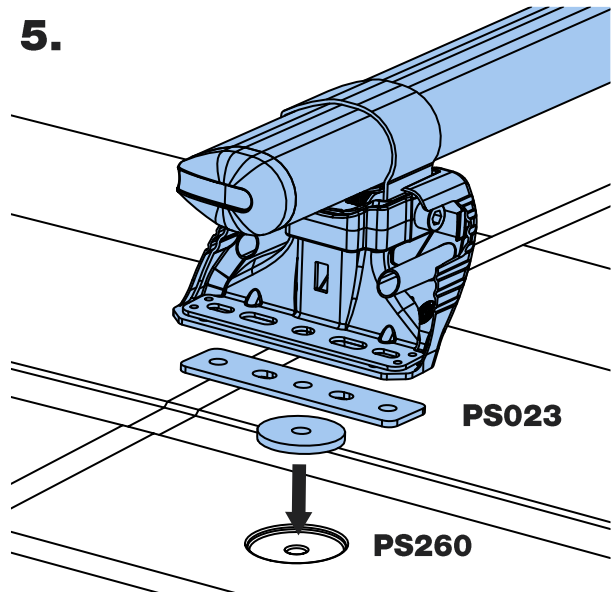
PS176



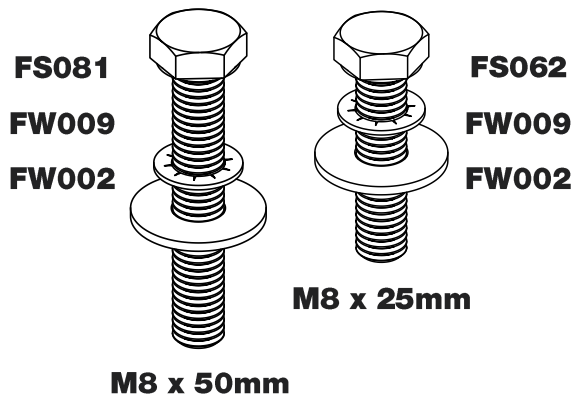
4.



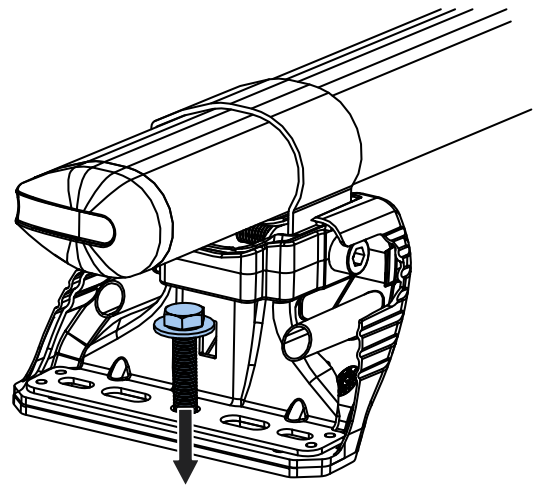
5.



6.

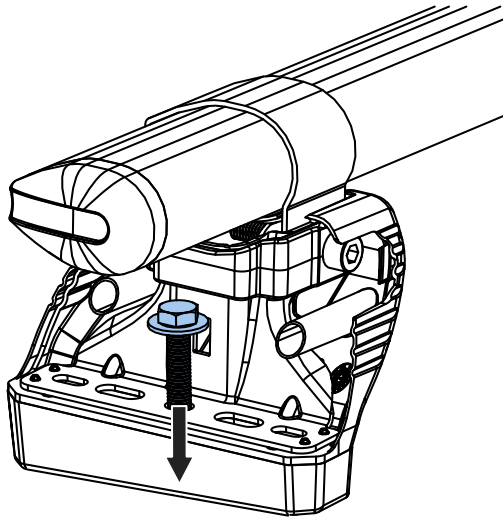


7.



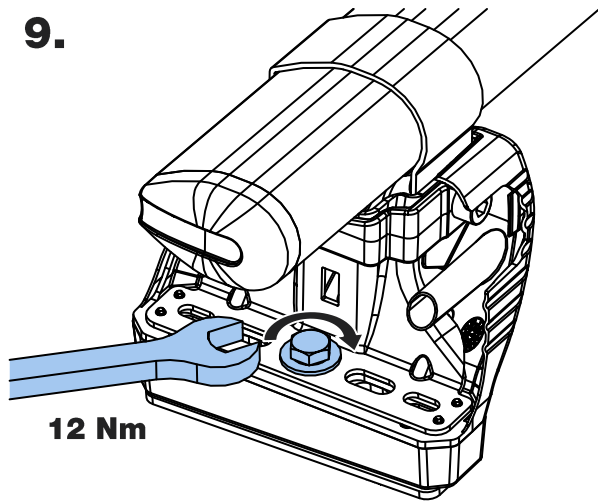
PS023 + M8 x 25mm

8.



PS176 + M8 x 50mm

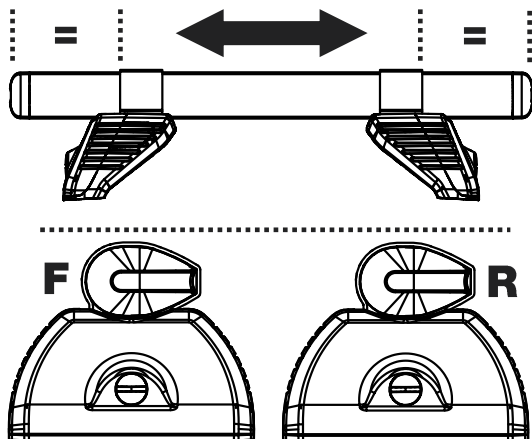
9.



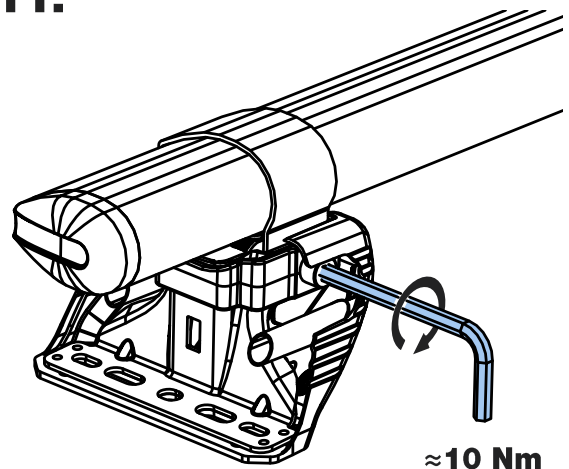
12 Nm



10.

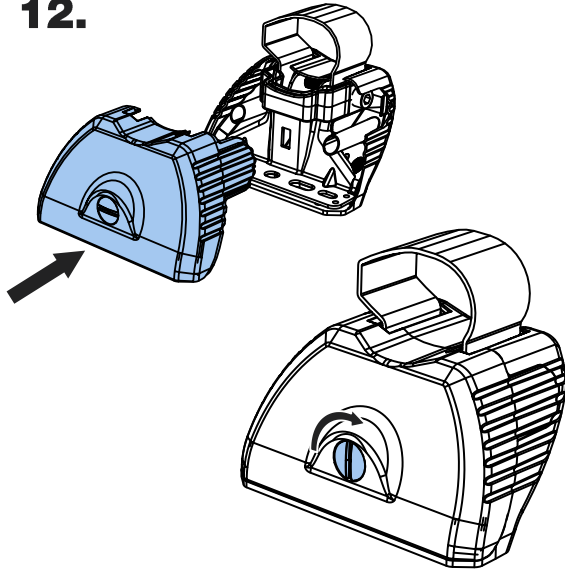


11.



≈ 10 Nm

12.



13.

