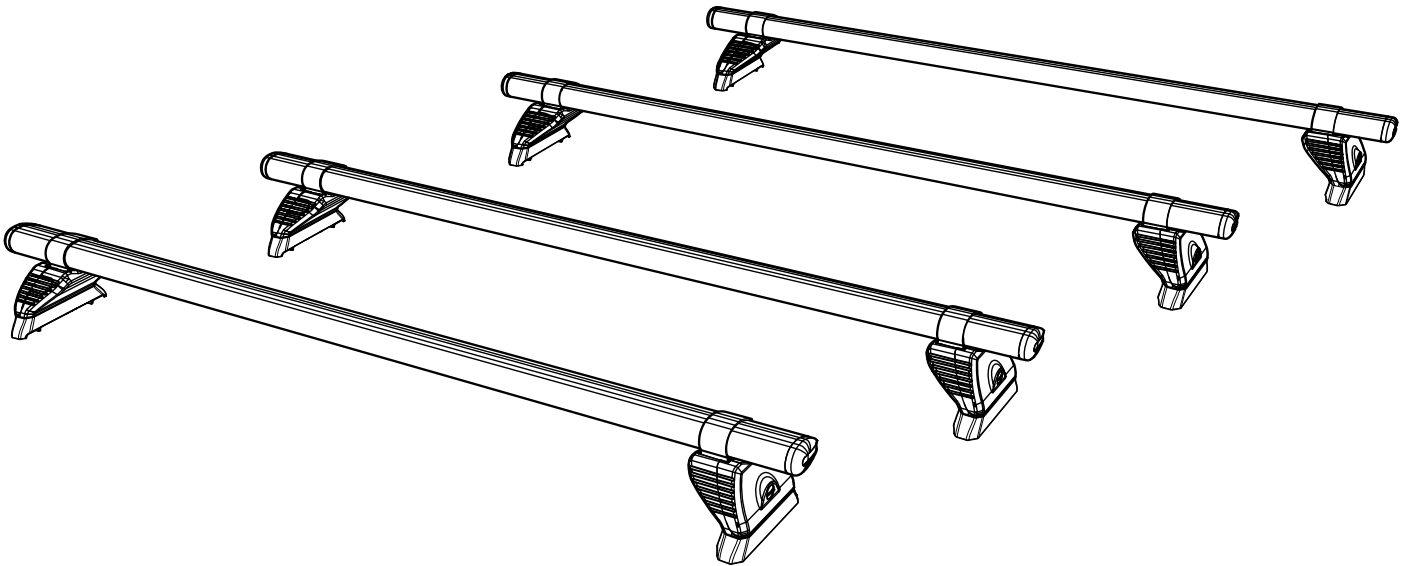


ISSUE:	DRAWN BY:	CHECKED BY:	CRF No:	DATE:	DESCRIPTION:
a	SJ	KB	2758	02/08/22	First Issue
b					
c					
d					
e					
f					
g					
h					
i					
j					
k					
l					
m					

T54PR/FL

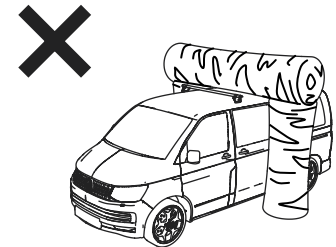
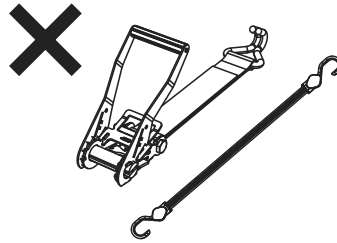
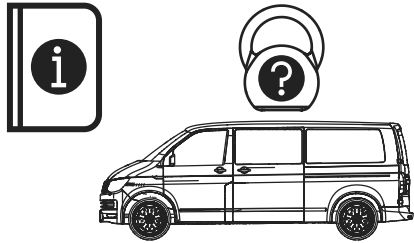
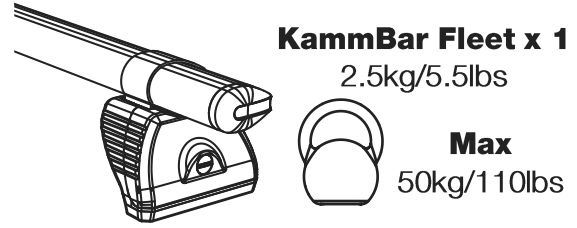
KammBar

Instructions

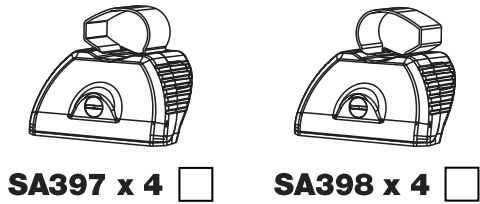
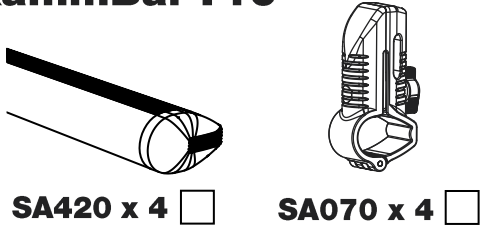


CITY CRASH (✓)

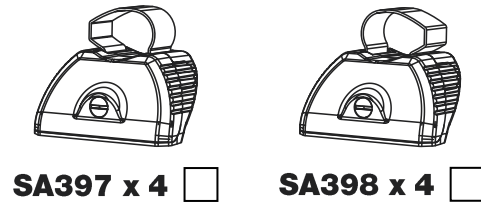
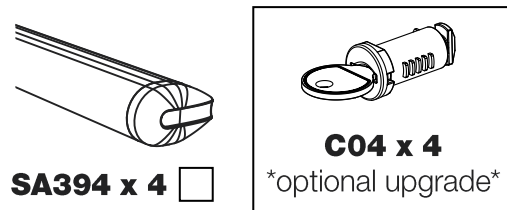
According to ISO/ PAS 11154:2006



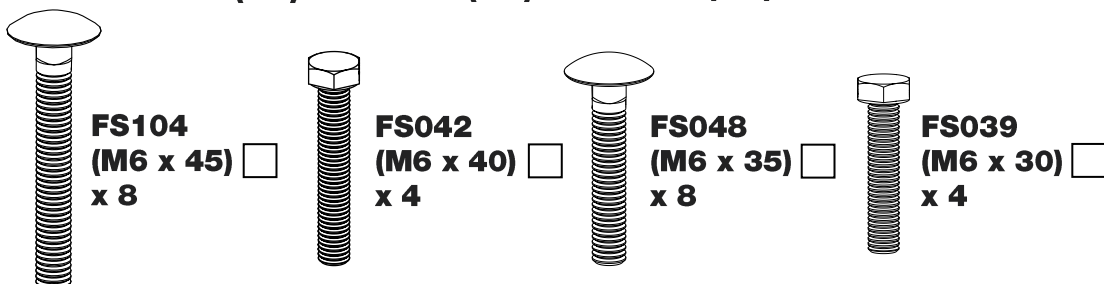
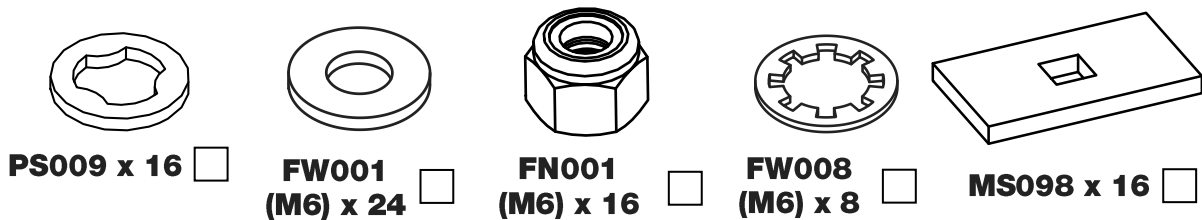
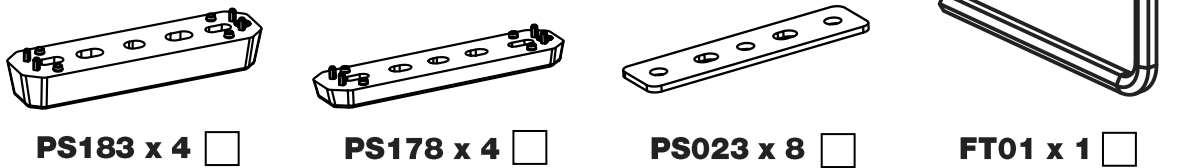
KammBar Pro



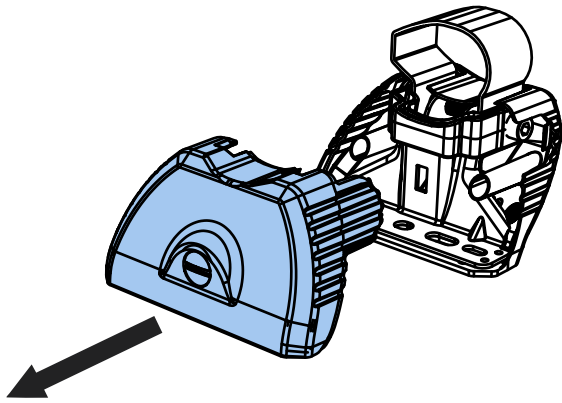
KammBar Fleet



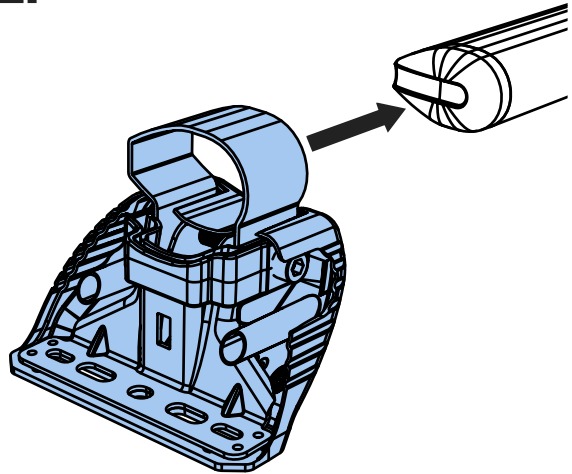
Fitting Kit



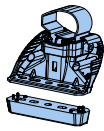
1.



2.



3.



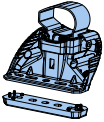
SA397

PS183



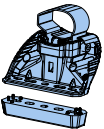
SA397

PS178



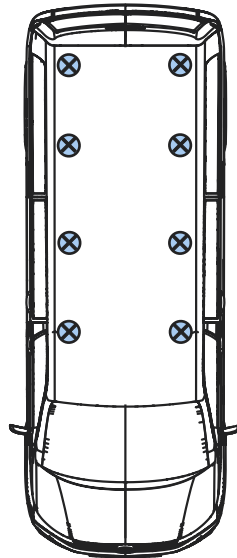
SA397

PS178



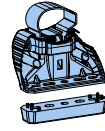
SA397

PS183



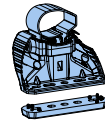
SA398

PS183



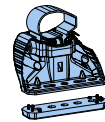
SA398

PS178



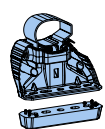
SA398

PS178

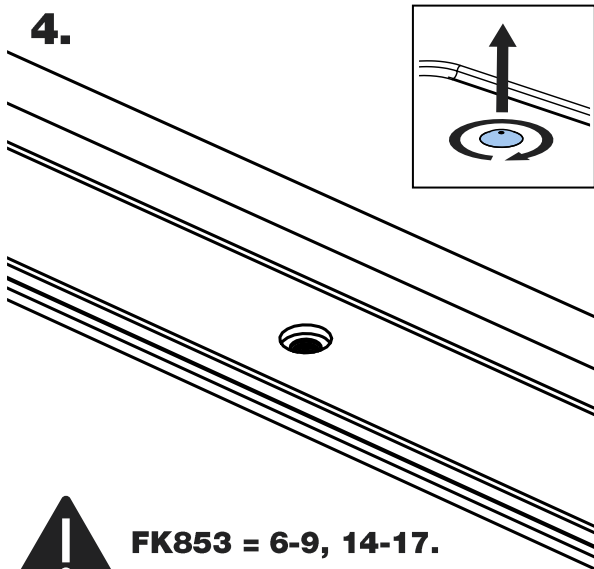


SA398

PS183

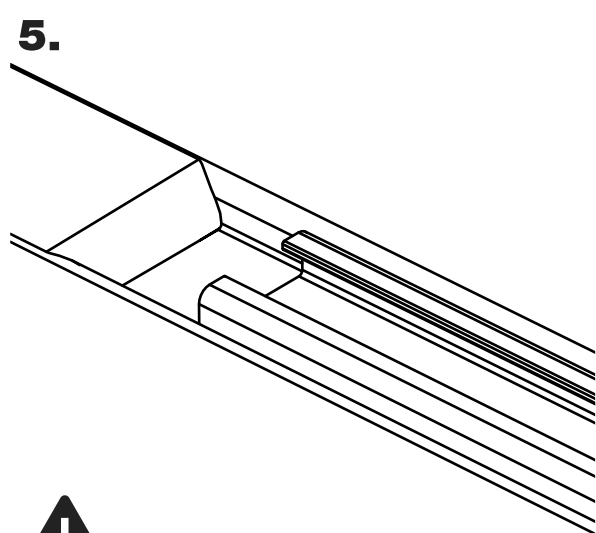


4.

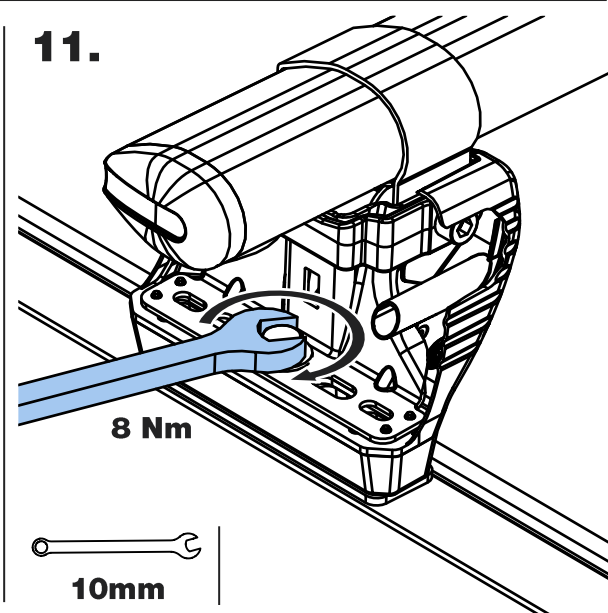
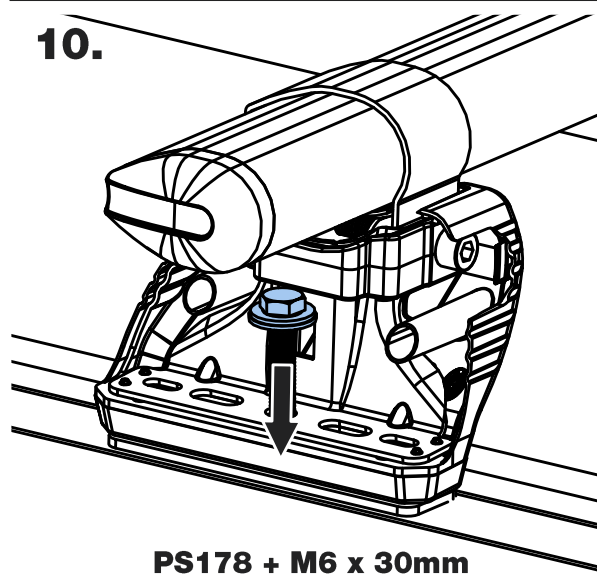
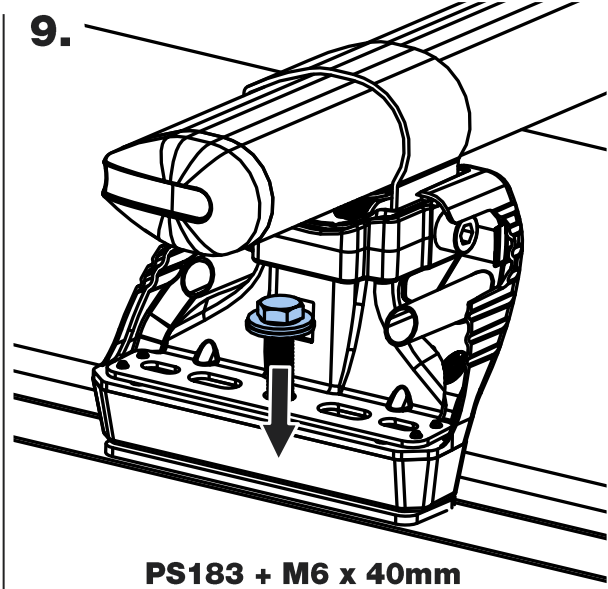
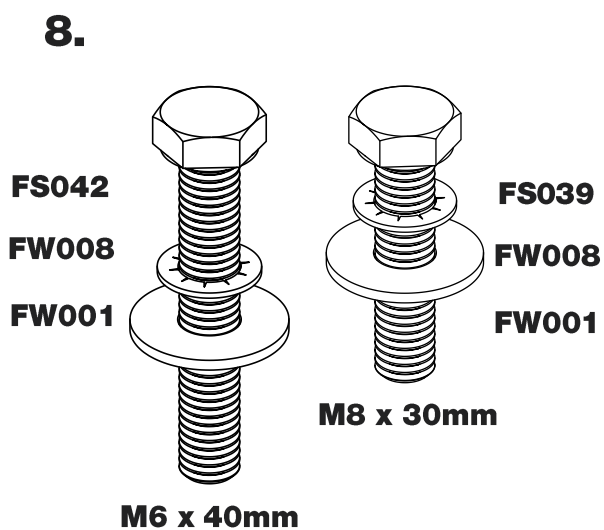
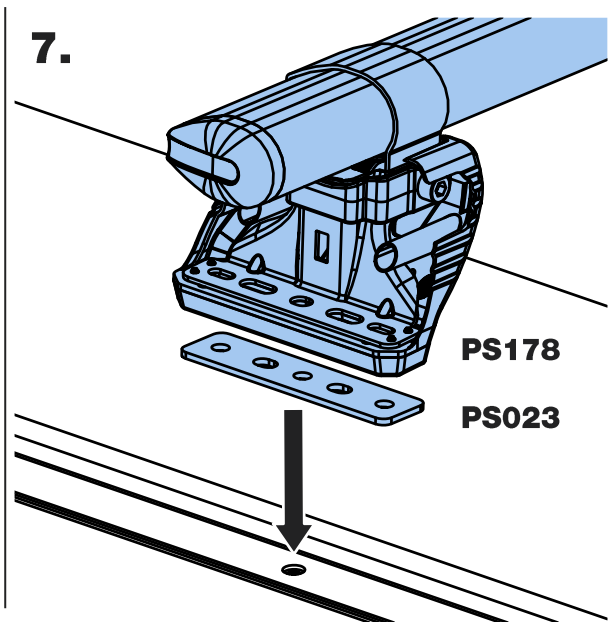
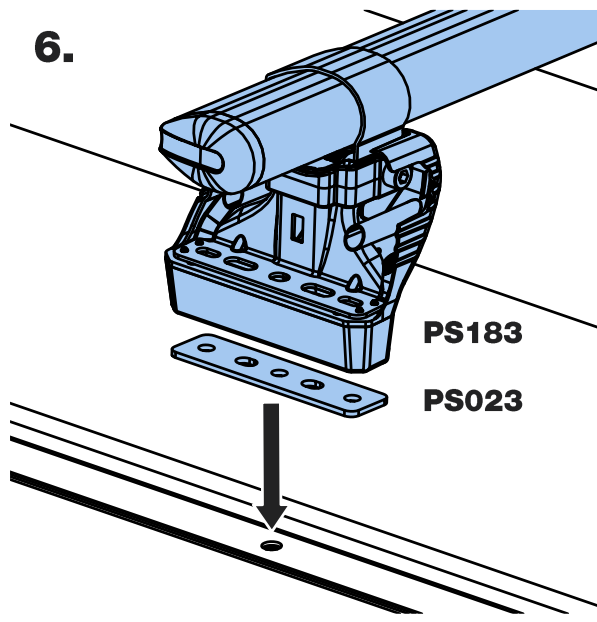


FK853 = 6-9, 14-17.

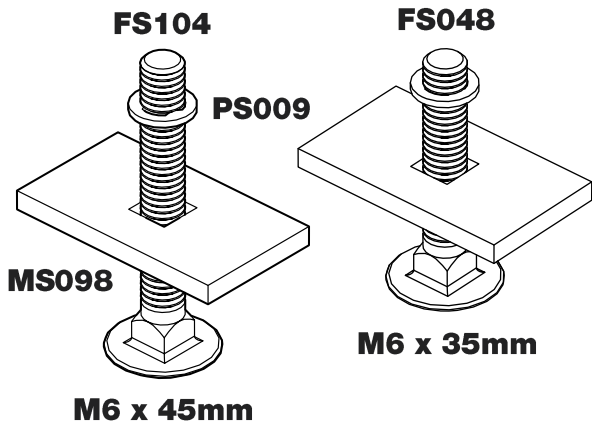
5.



FK862 = 10-17.

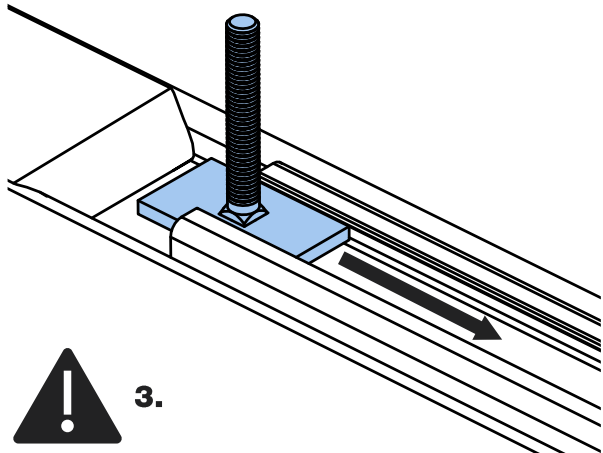


12.

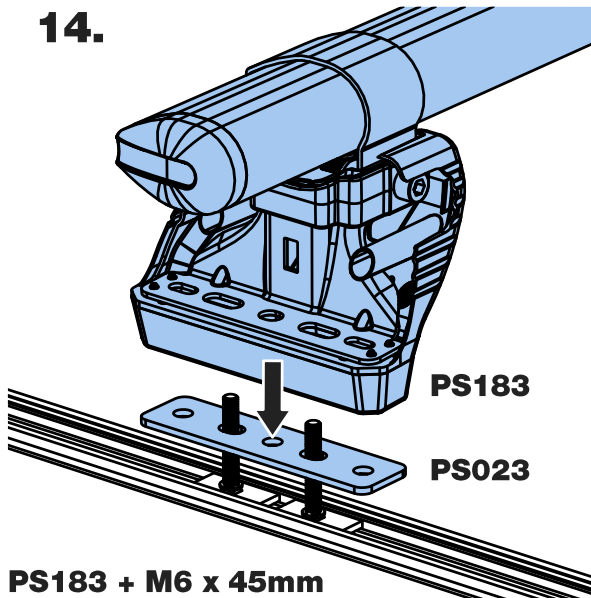


13.

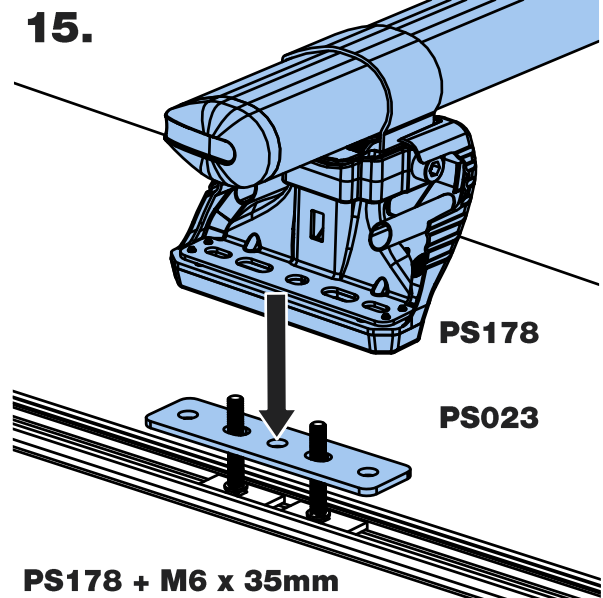
- 1st. M6 x 45mm x 2
- 2nd. M6 x 35mm x 2
- 3rd. M6 x 35mm x 2
- 4th. M6 x 45mm x 2



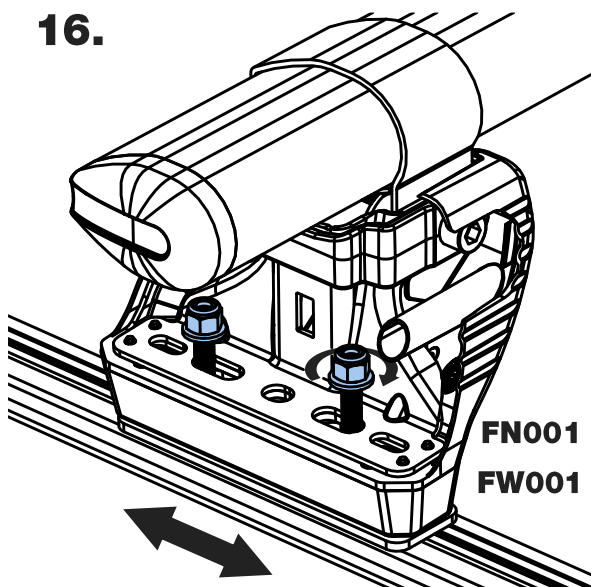
14.



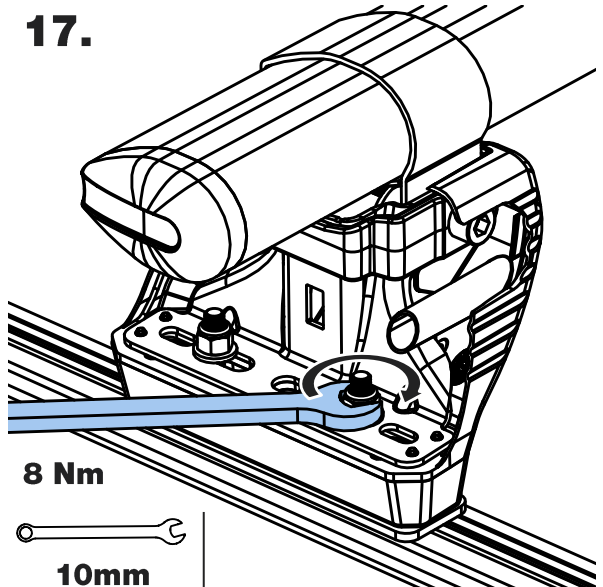
15.



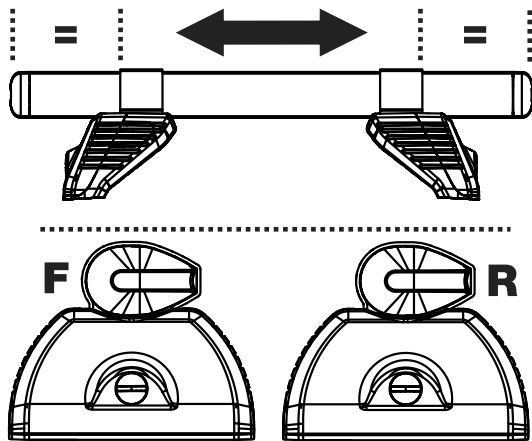
16.



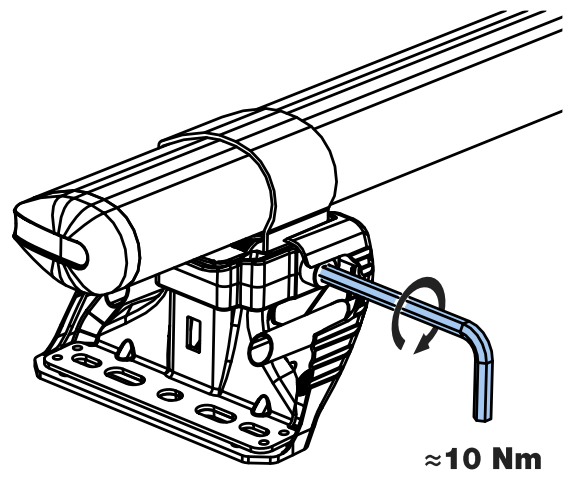
17.



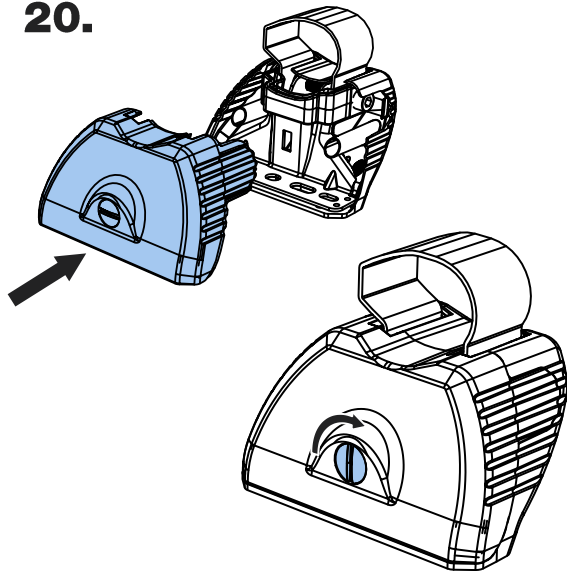
18.



19.



20.



21.

