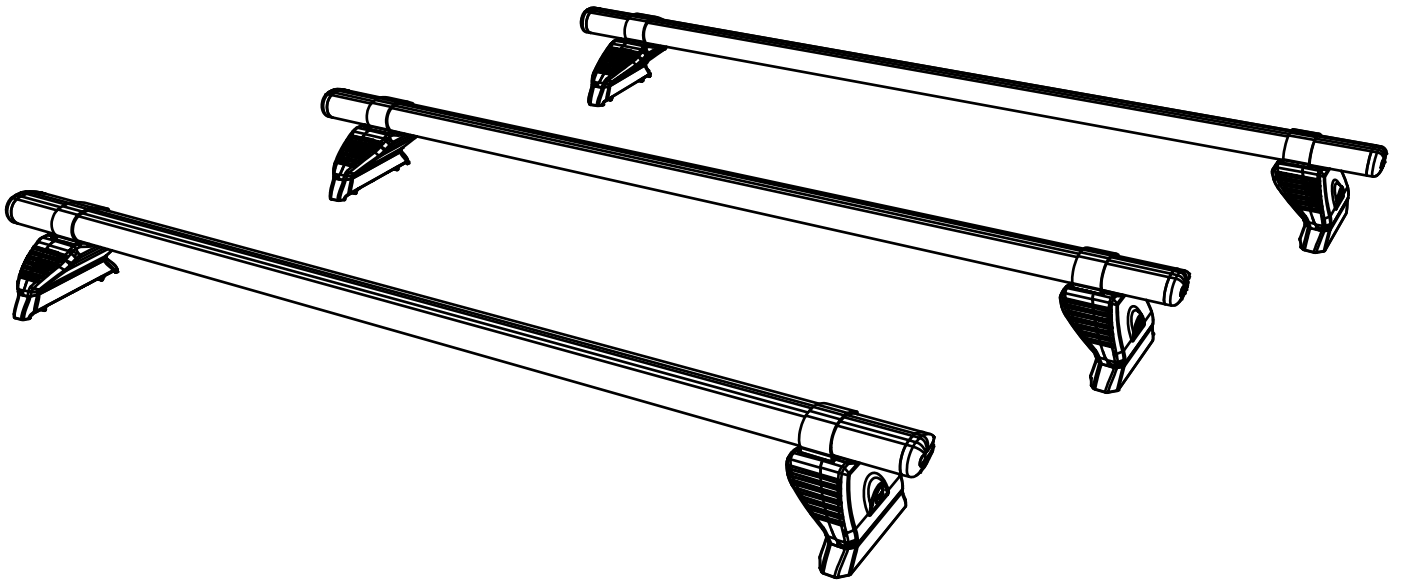


# JD3PR/FL

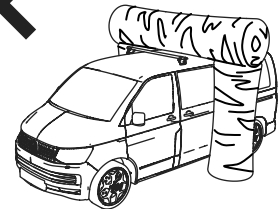
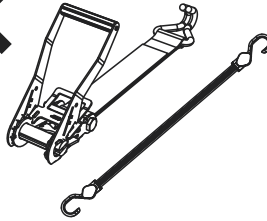
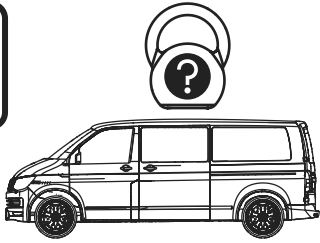
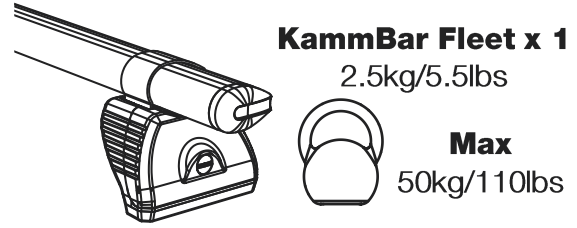
# KammBar

## Instructions

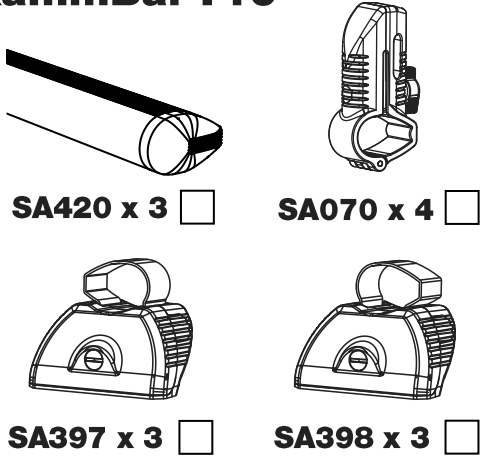


**CITY CRASH** (✓)

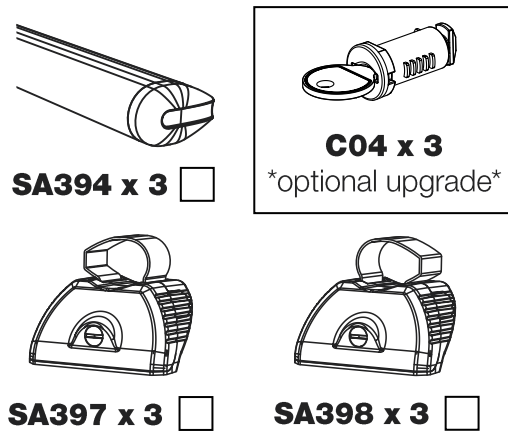
According to ISO/ PAS 11154:2006



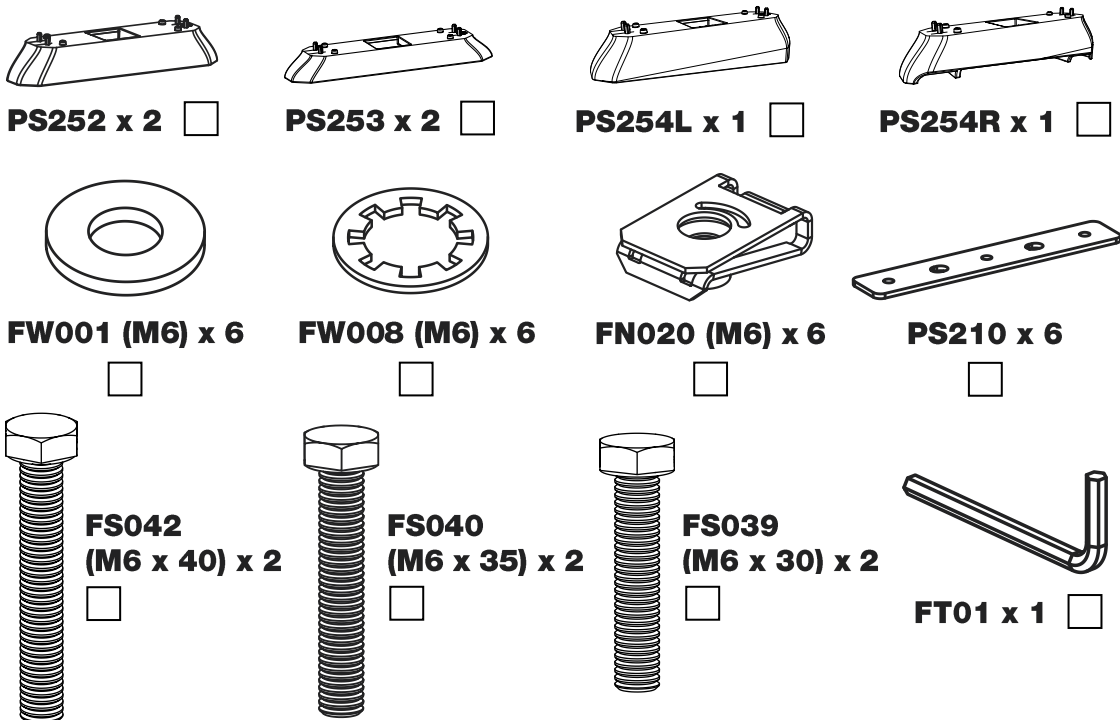
### KammBar Pro



### KammBar Fleet



### Fitting Kit



1.



2.



3.



**SA397**  
**PS254R**

**SA398**



**PS254L**



**SA397**  
**PS253**

**SA398**



**PS253**

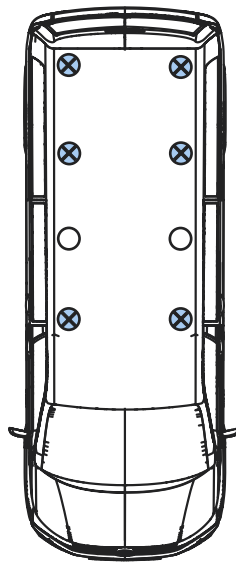


**SA397**  
**PS252**

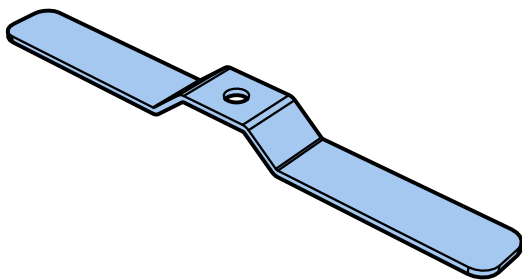
**SA398**



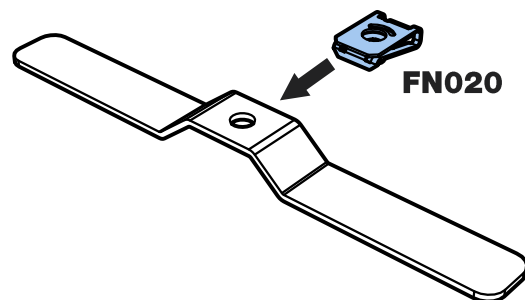
**PS252**



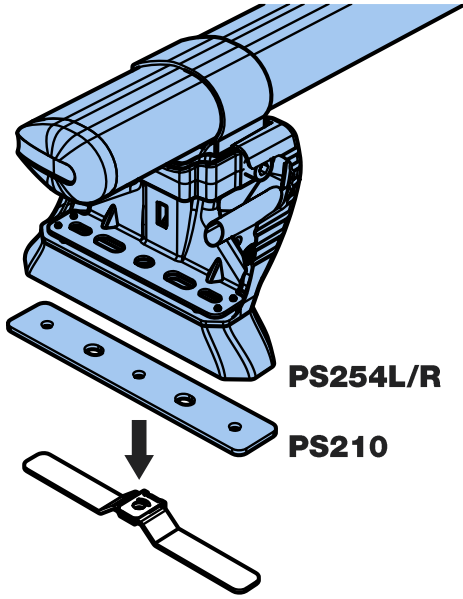
4.



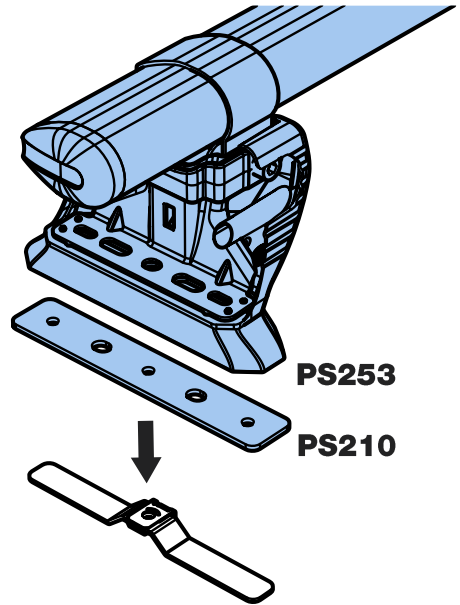
5.



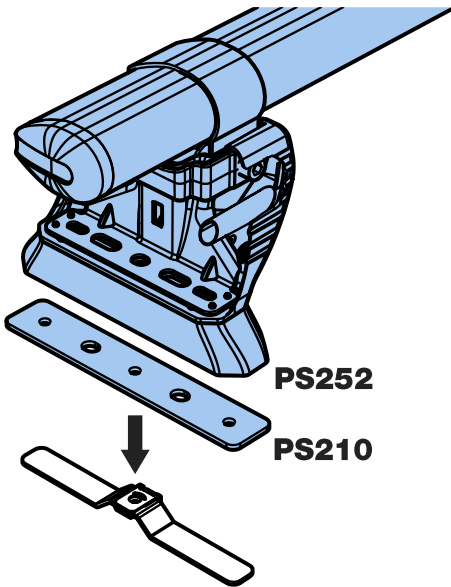
6.



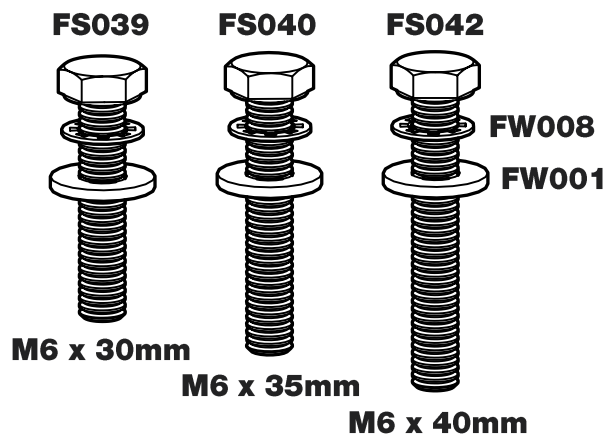
7.



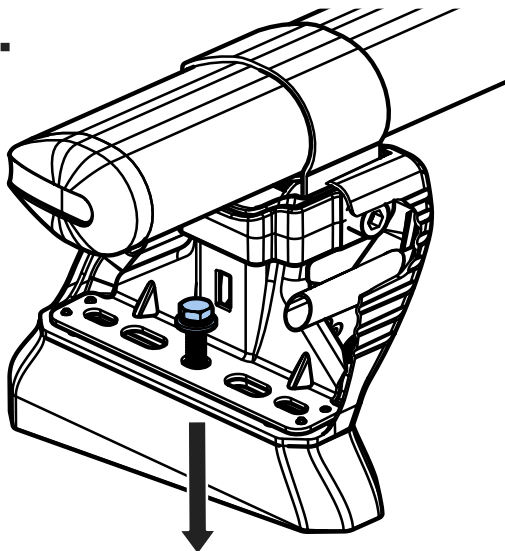
8.



9.

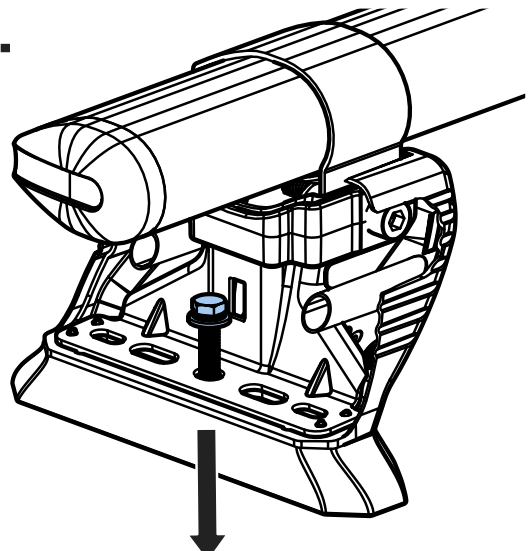


10.



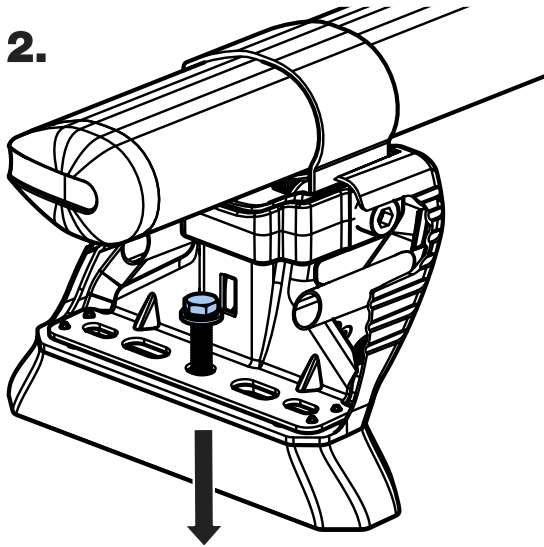
PS254L/R + M6 x 40mm

11.



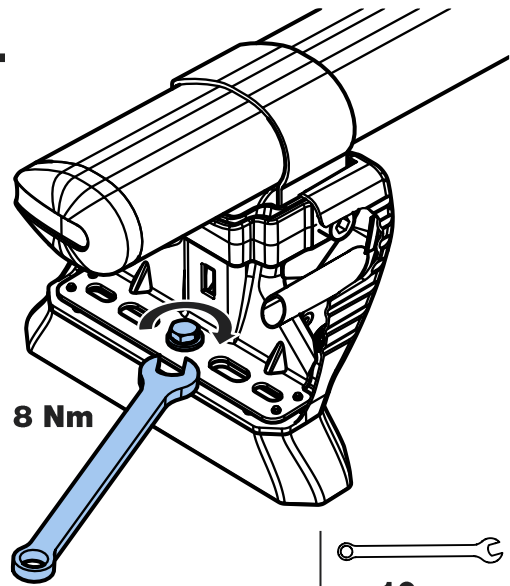
PS253 + M6 x 30mm

12.



PS252 + M6 x 35mm

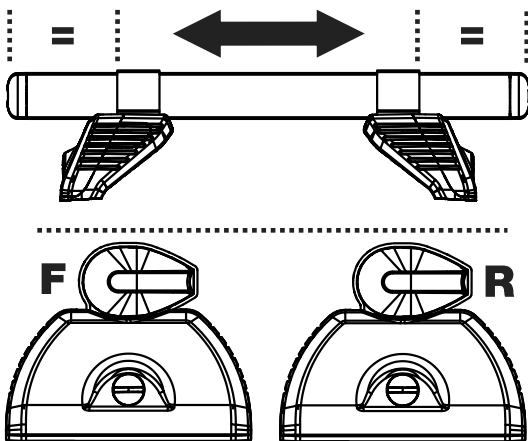
13.



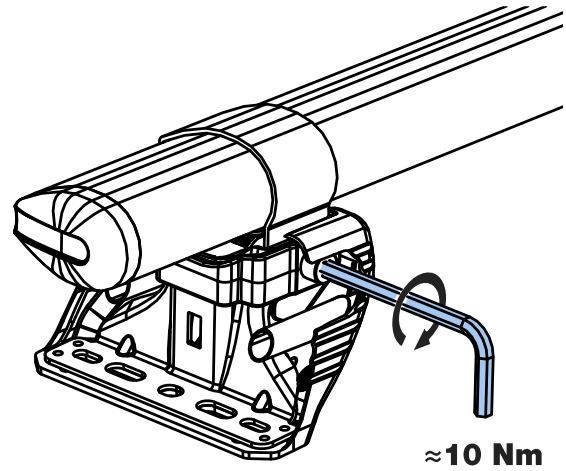
8 Nm

10mm

14.

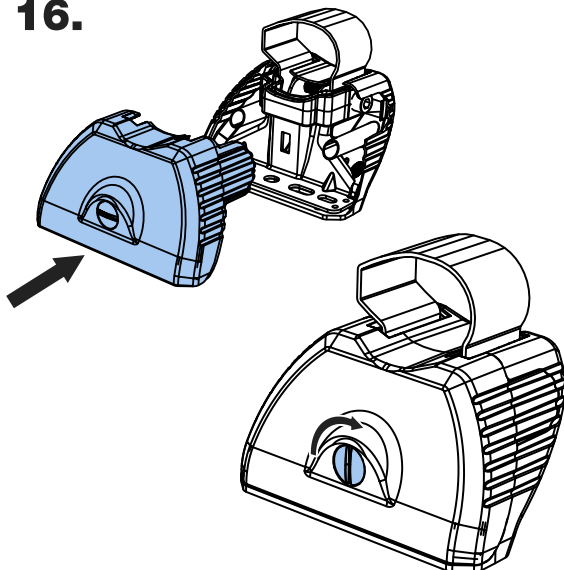


15.



≈10 Nm

16.



17.

