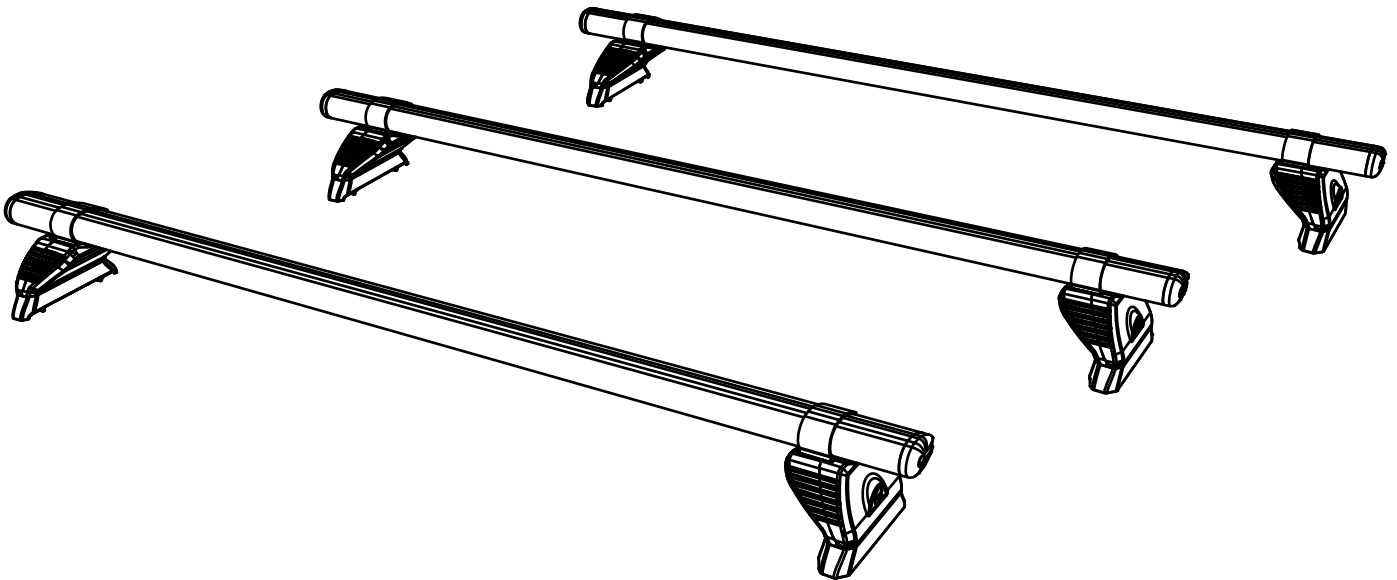


WD3PR/FL

KammBar

Instructions

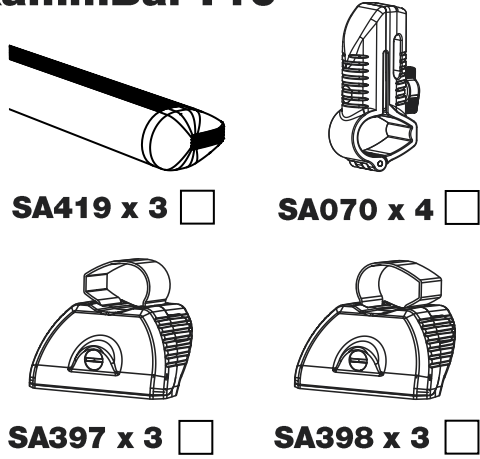


CITY CRASH (✓)

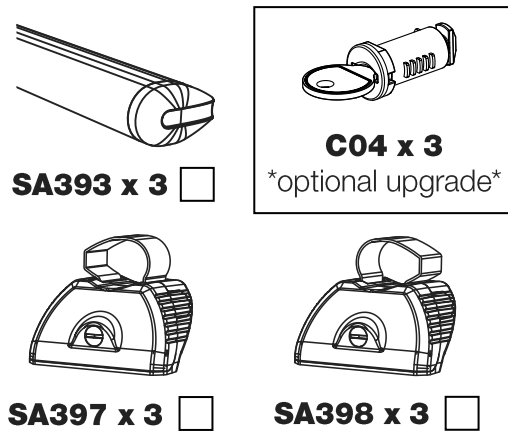
According to ISO/ PAS 11154:2006



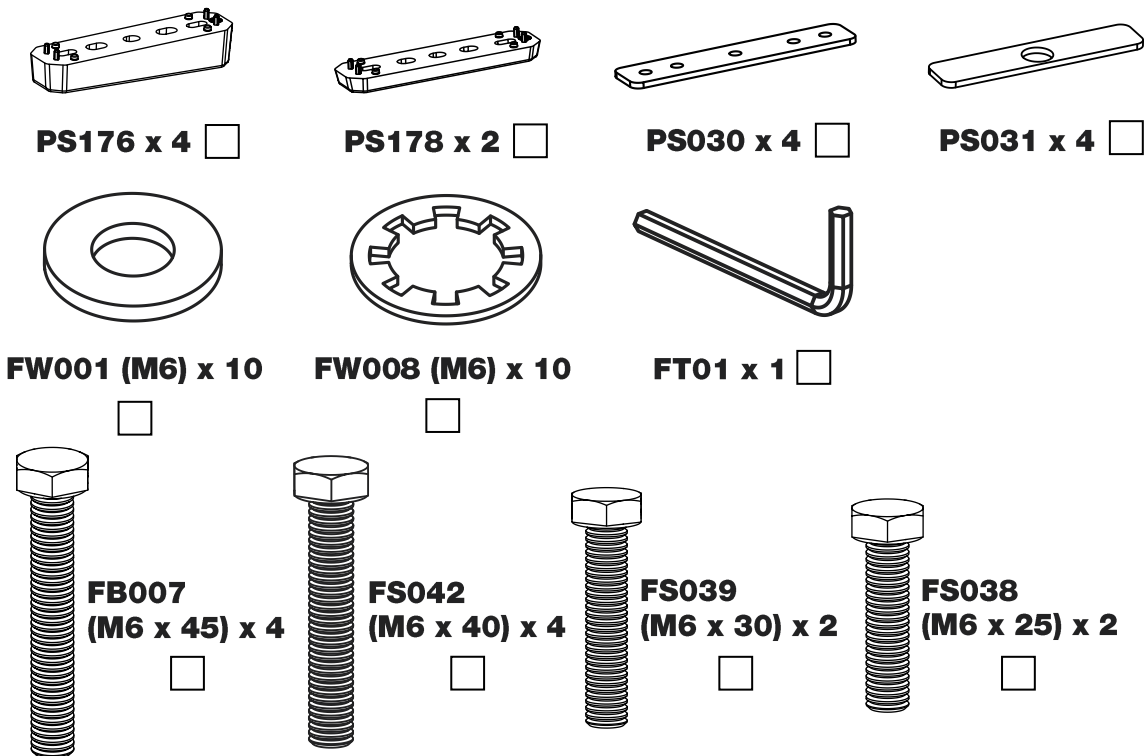
KammBar Pro



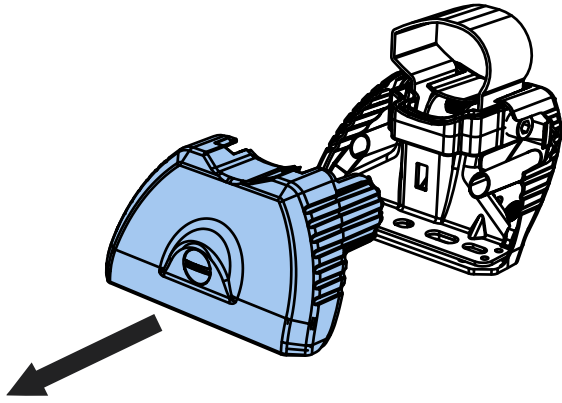
KammBar Fleet



Fitting Kit



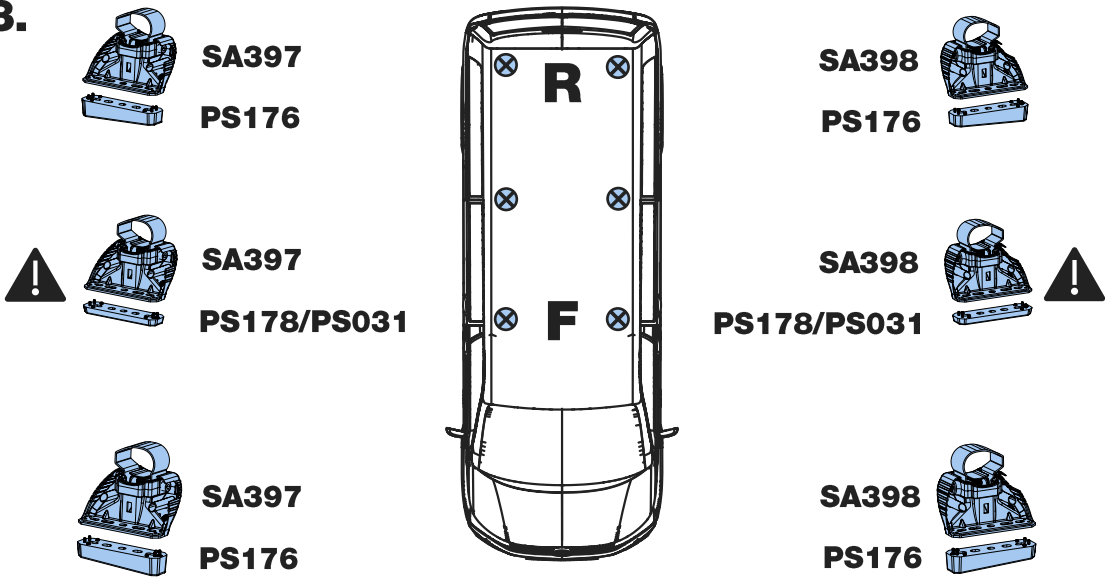
1.



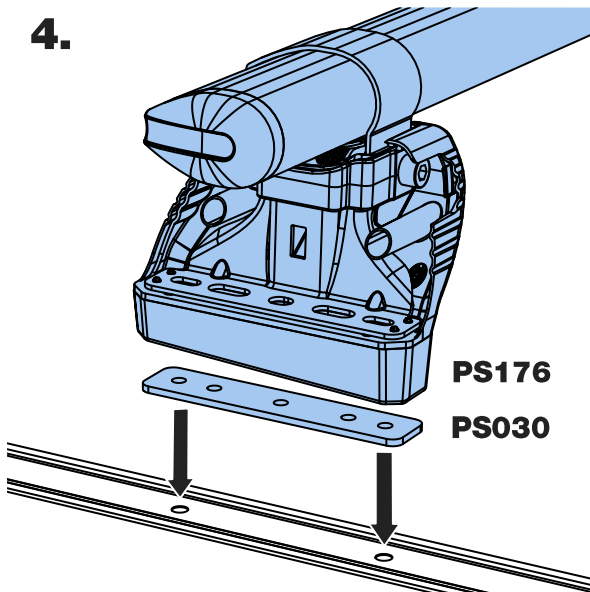
2.



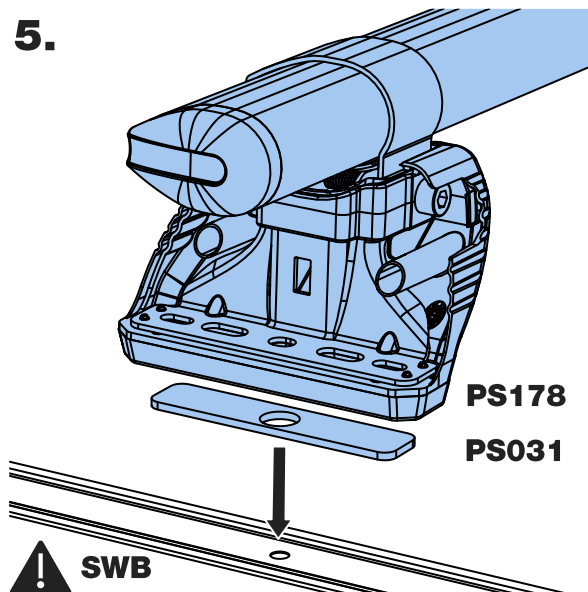
3.

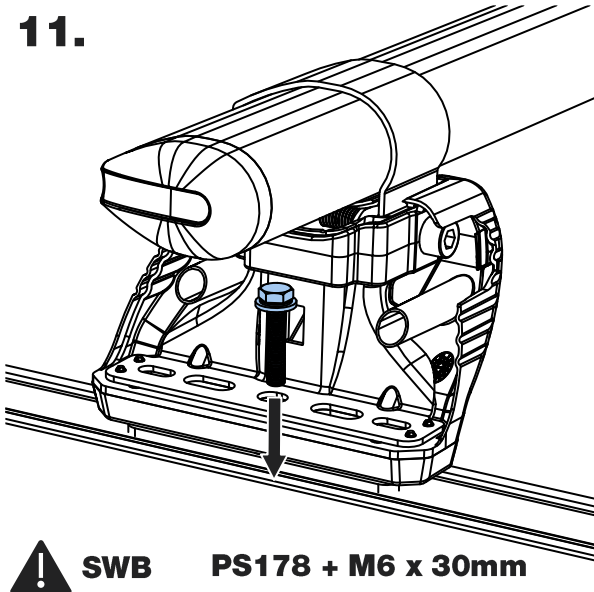
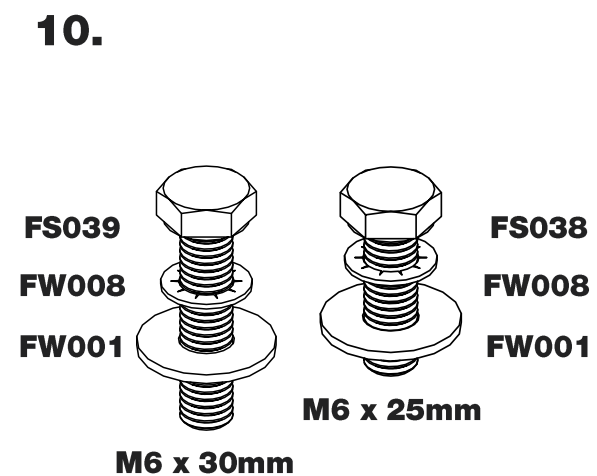
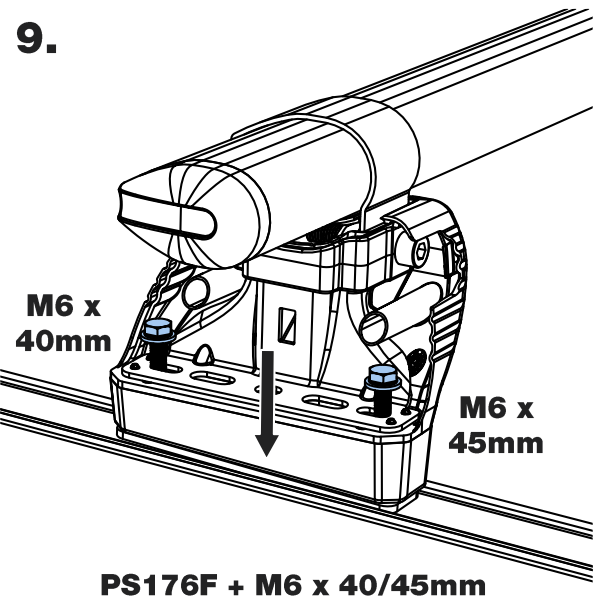
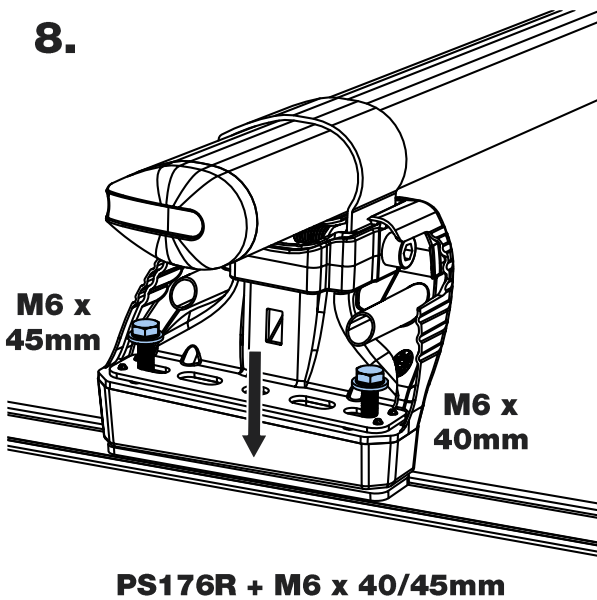
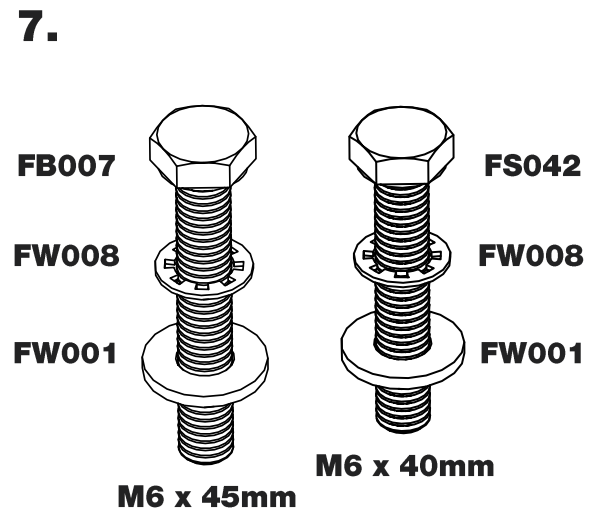
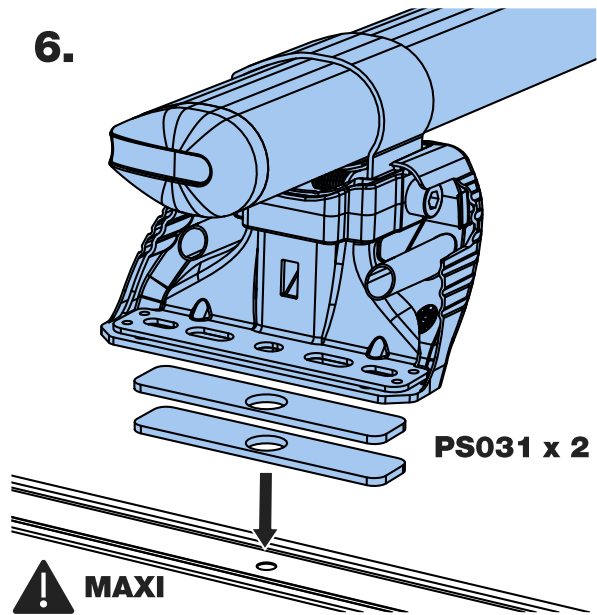


4.

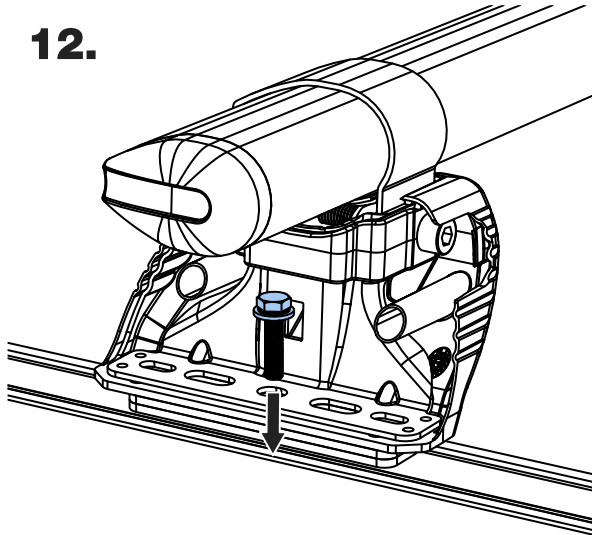


5.



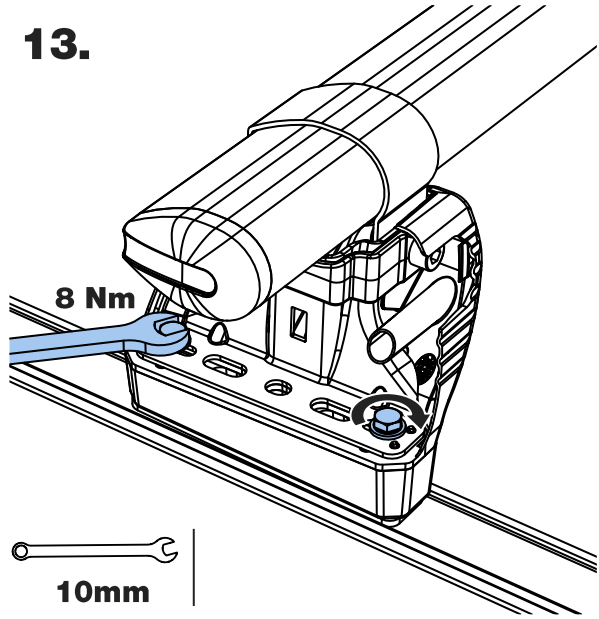


12.

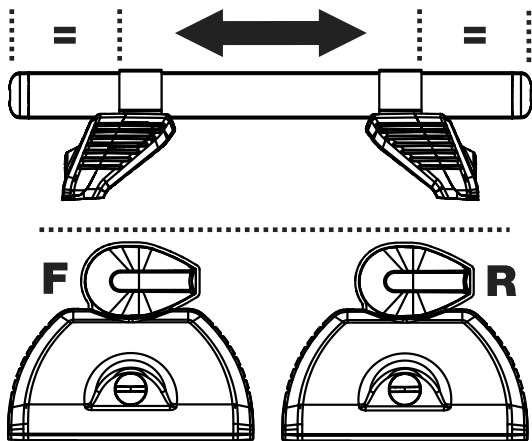


! MAXI PS031 x 2 + M6 x 25mm

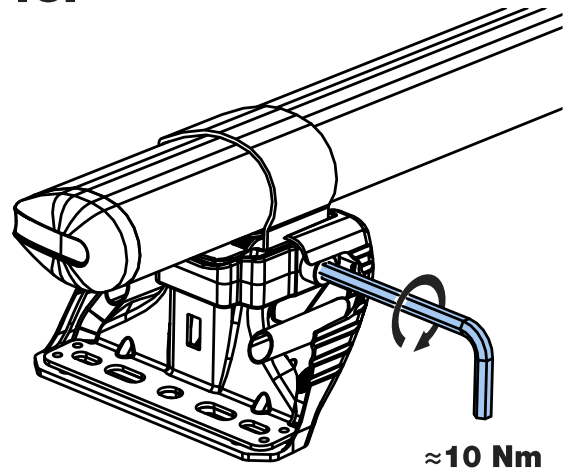
13.



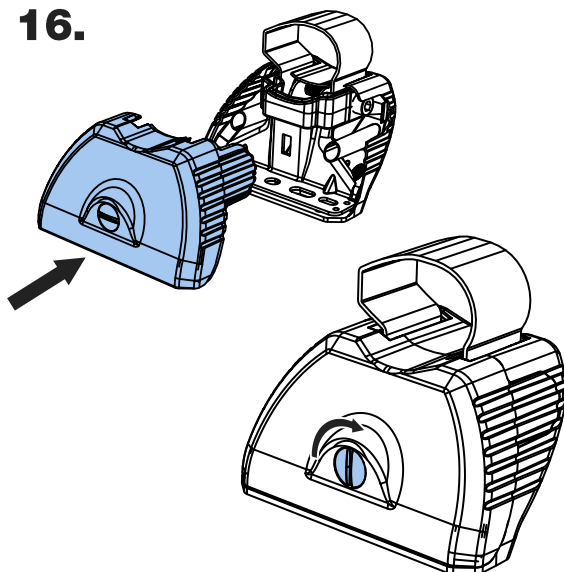
14.



15.



16.



17.

