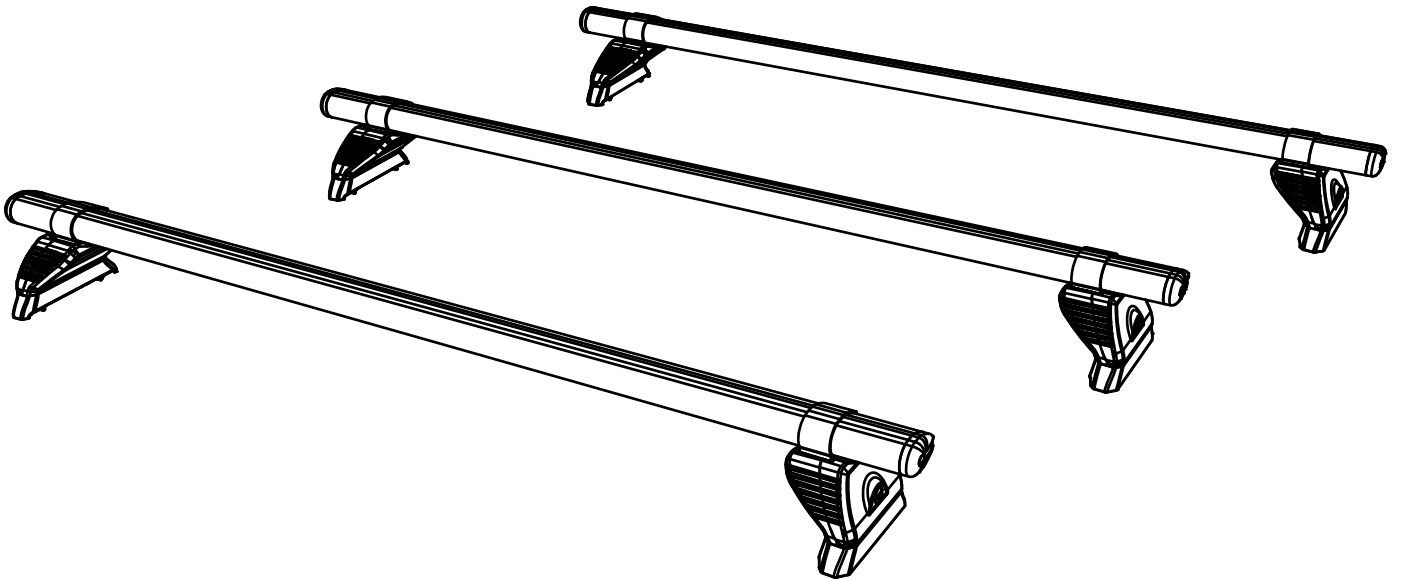
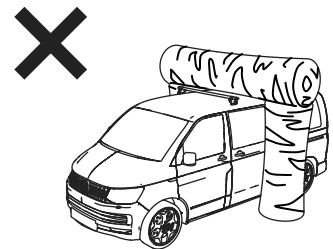
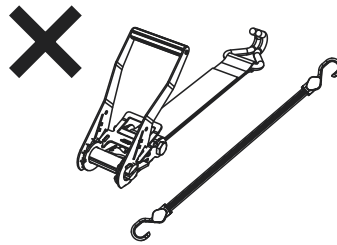
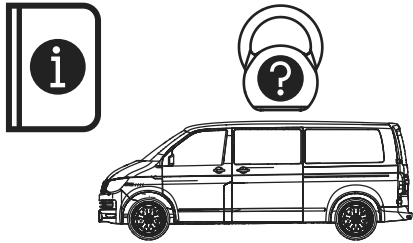
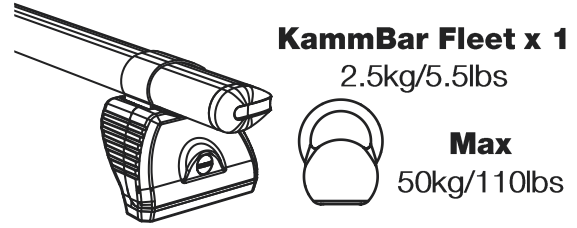
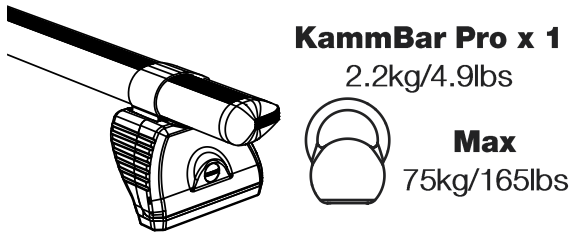


PB3PR/FL KammBar Instructions

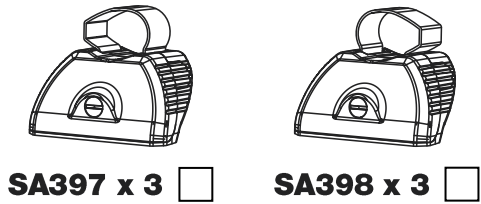
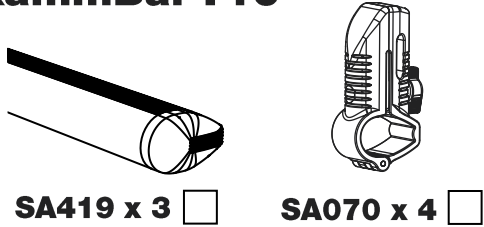


CITY CRASH (✓)

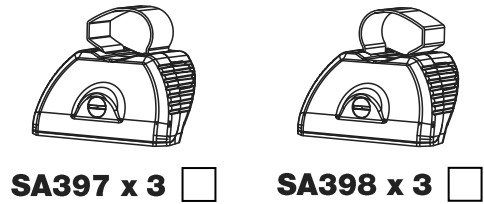
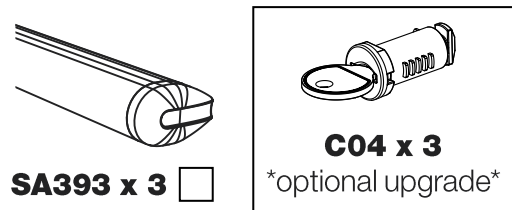
According to ISO/ PAS 11154:2006



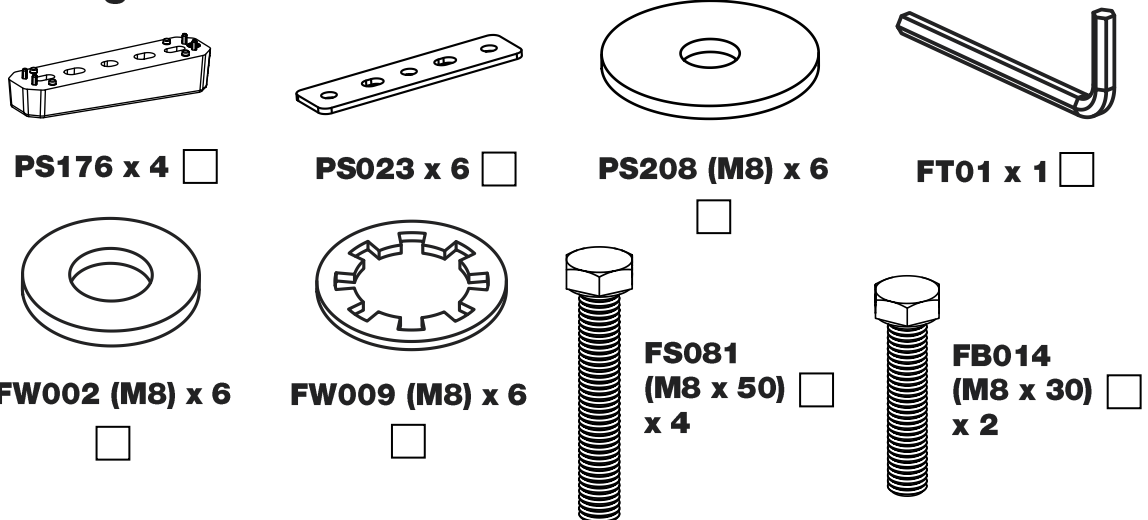
KammBar Pro



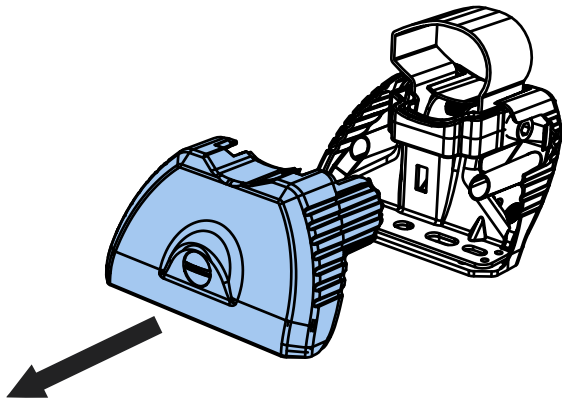
KammBar Fleet



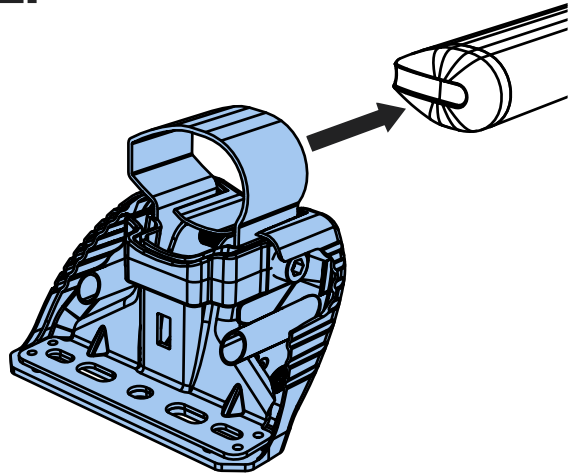
Fitting Kit



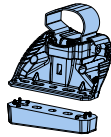
1.



2.

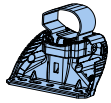


3.

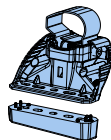


SA397

PS176

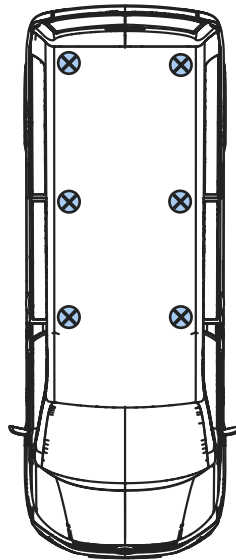


SA397

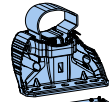


SA397

PS176



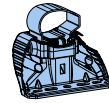
SA398



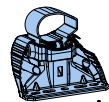
PS176



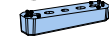
SA398



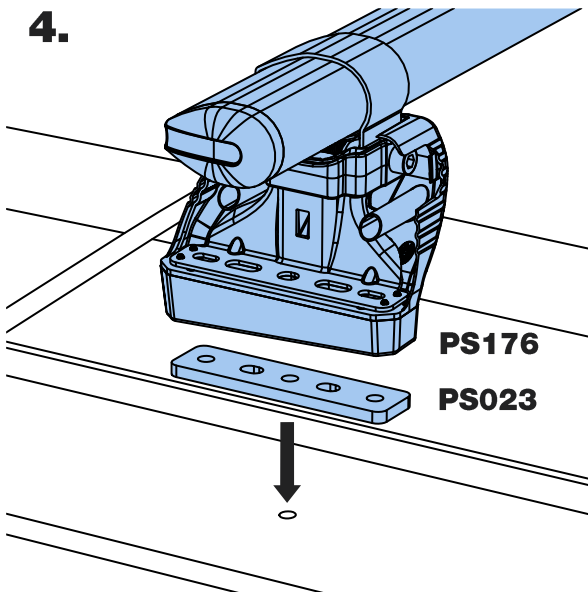
SA398



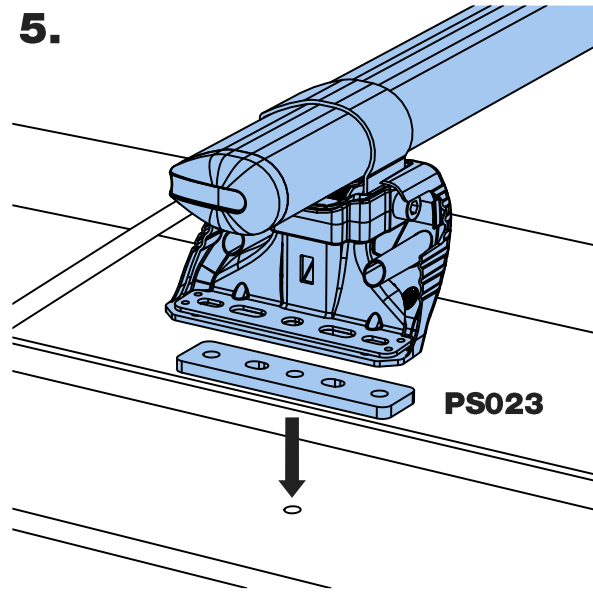
PS176



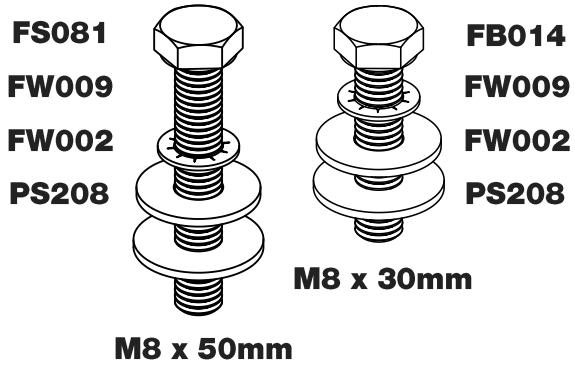
4.



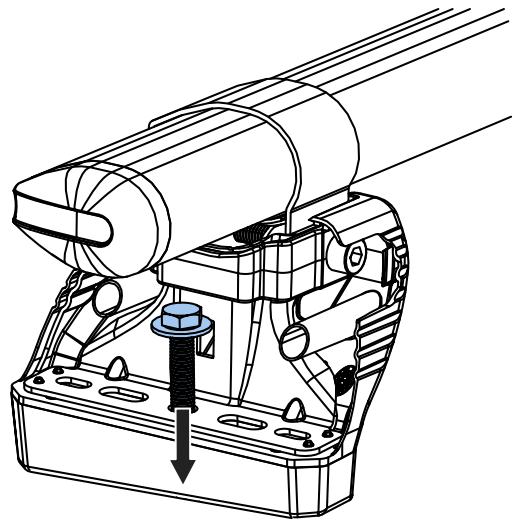
5.



6.

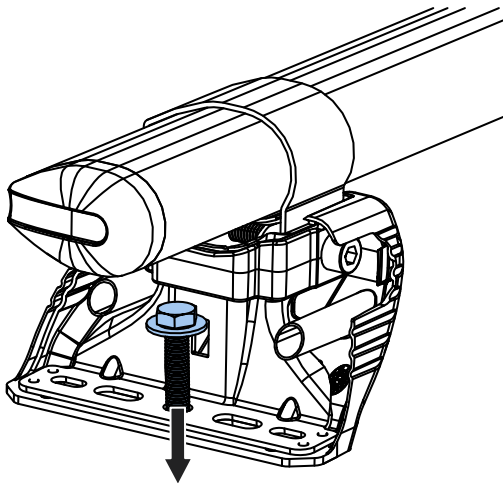


7.



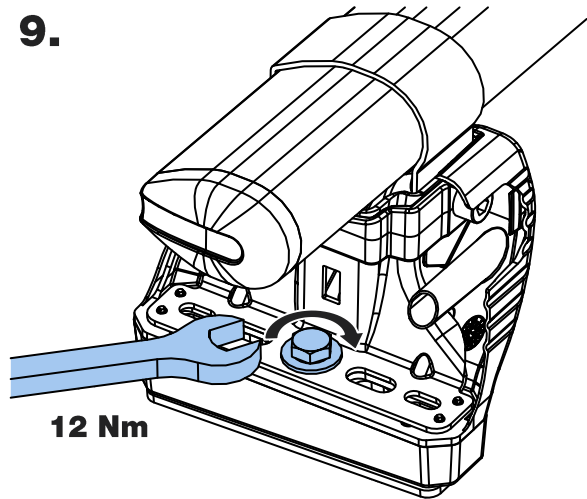
PS176 + M8 x 50mm

8.

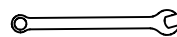


PS023 + M8 x 30mm

9.

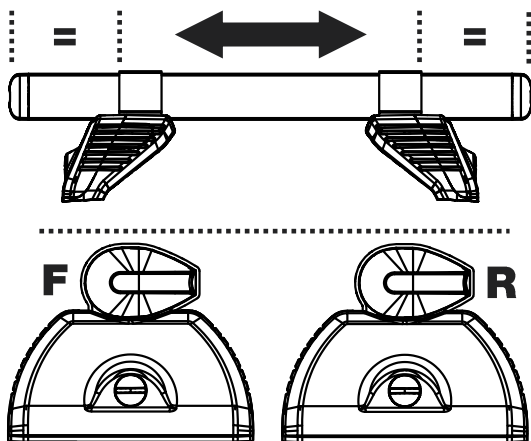


12 Nm

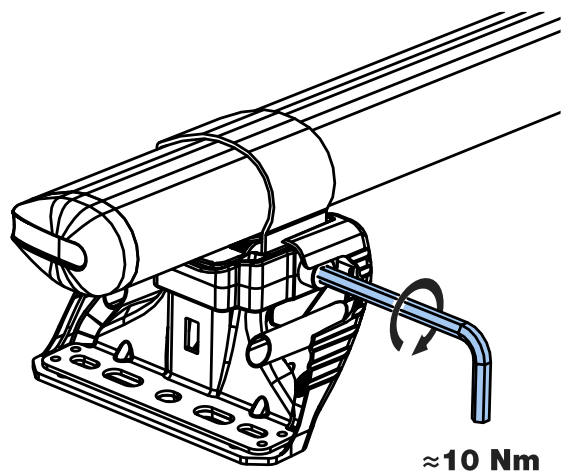


13mm

10.

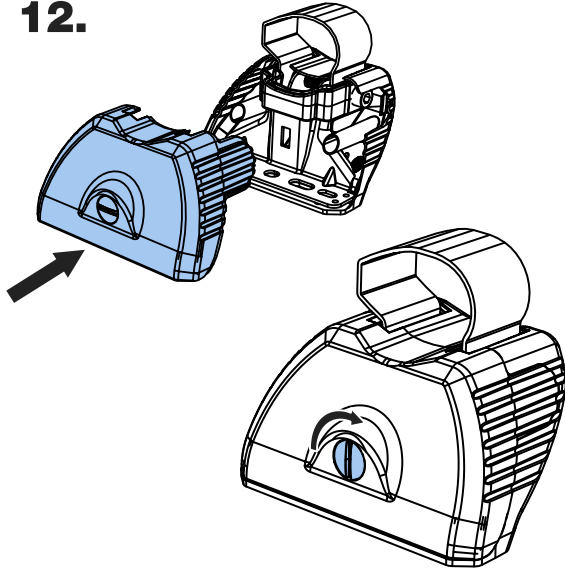


11.



≈ 10 Nm

12.



13.

