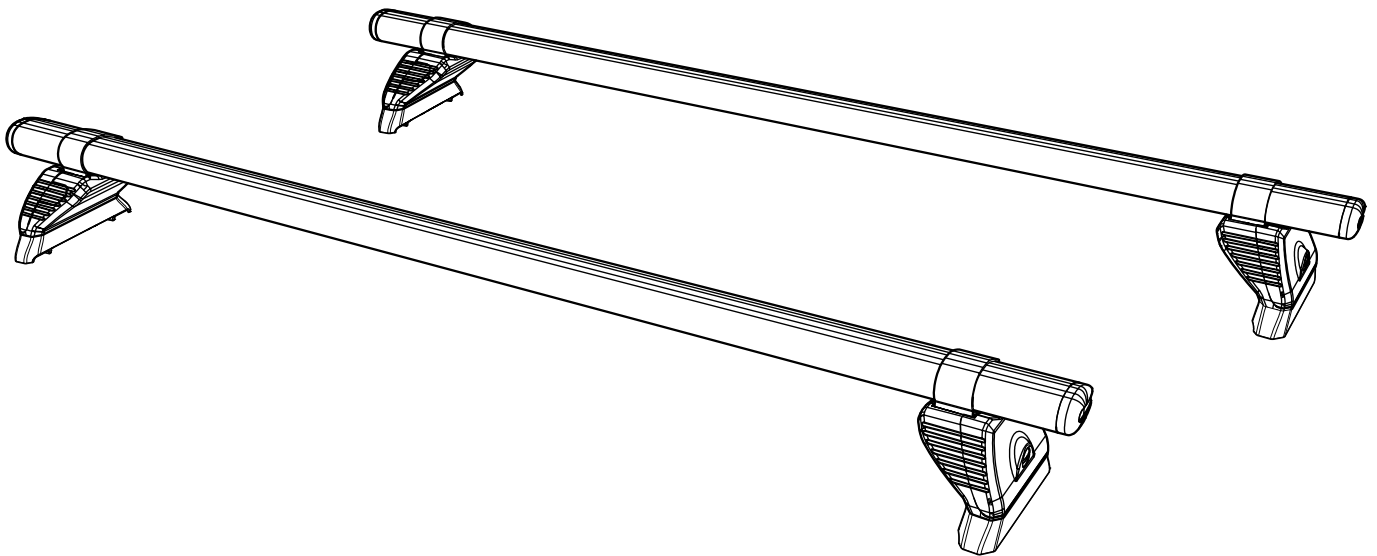


# MC2PR/FL

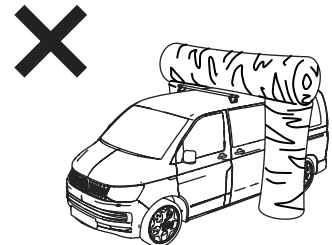
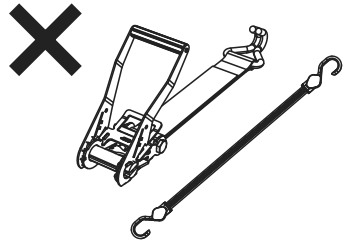
# KammBar

## Instructions

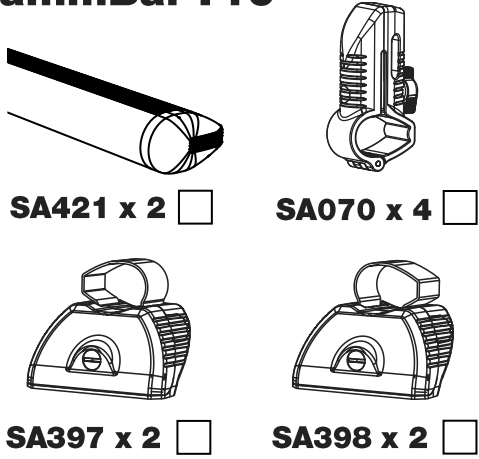


**CITY CRASH** (✓)

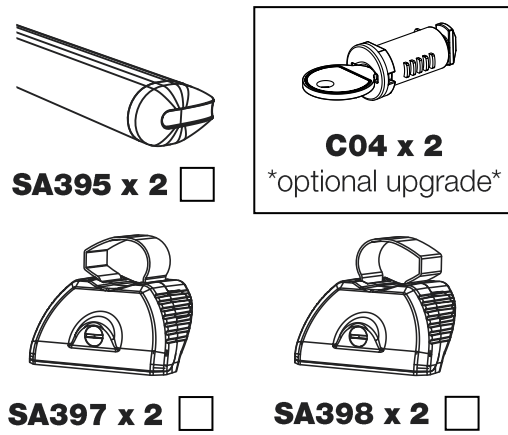
According to ISO/ PAS 11154:2006



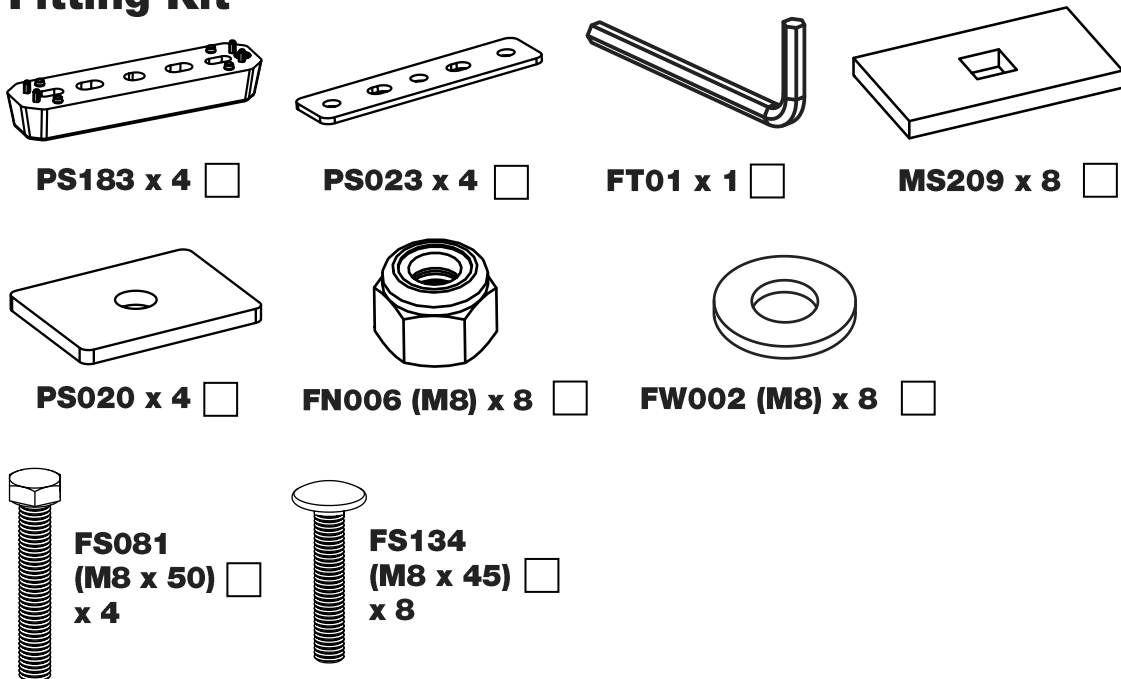
### KammBar Pro



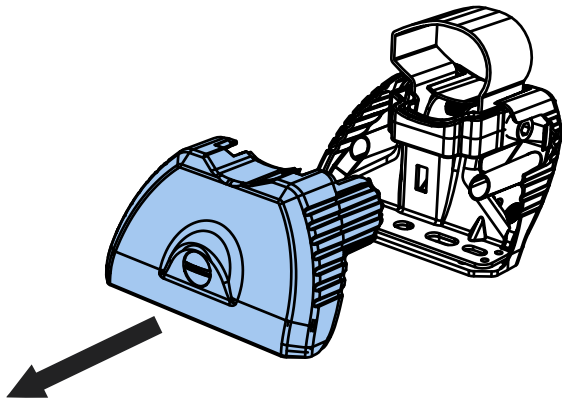
### KammBar Fleet



### Fitting Kit



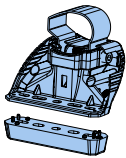
1.



2.

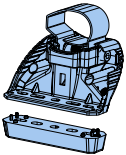
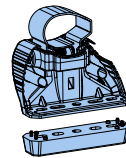


3.



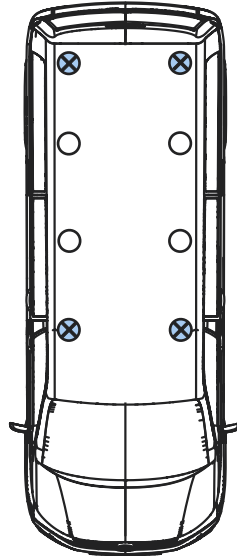
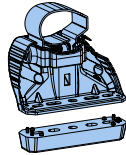
SA397  
PS183

SA398  
PS183

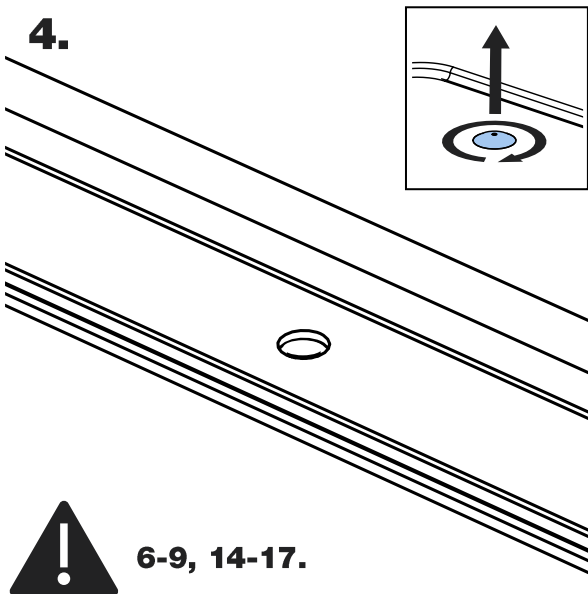


SA397  
PS183

SA398  
PS183

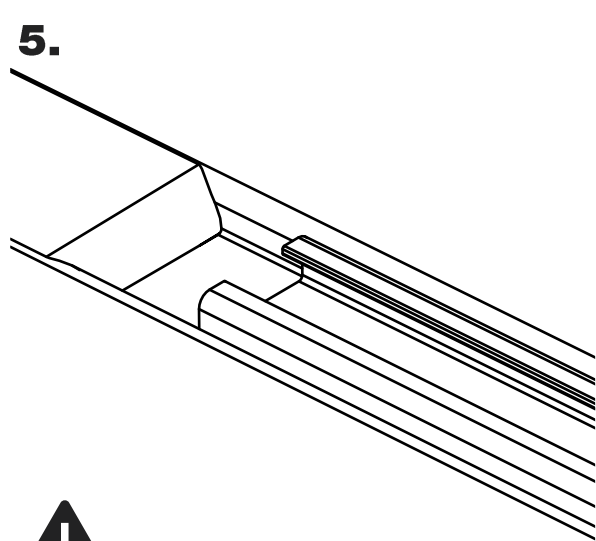


4.



6-9, 14-17.

5.



10-17.

