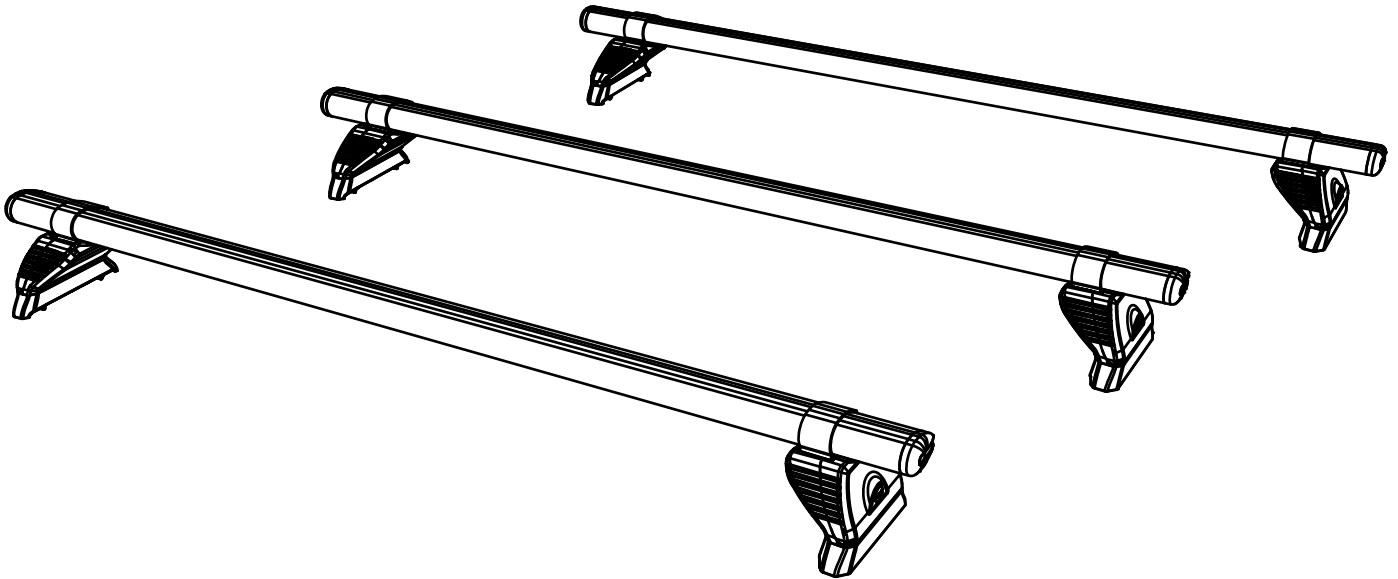


# QA3PR/FL

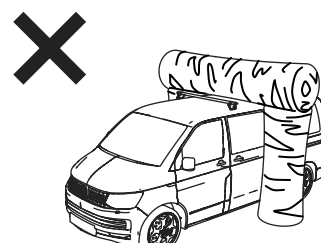
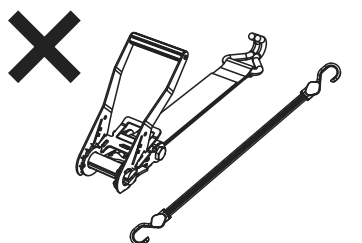
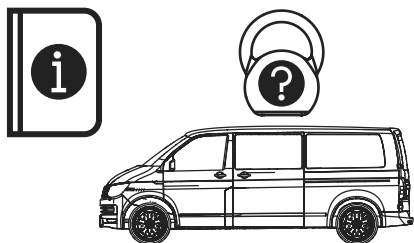
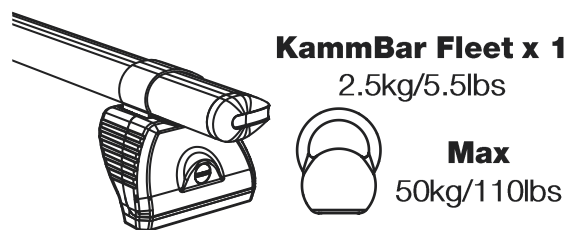
# KammBar

## Instructions

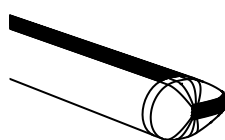


**CITY CRASH** (✓)

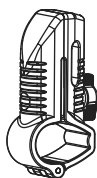
According to ISO/ PAS 11154:2006



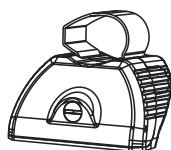
### KammBar Pro



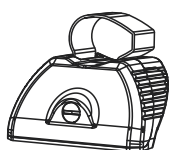
SA421 x 3



SA070 x 4

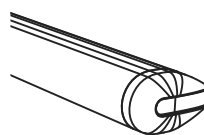


SA397 x 3

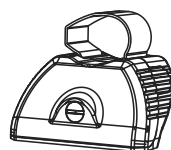


SA398 x 3

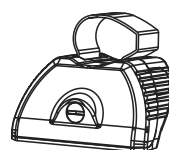
### KammBar Fleet



SA395 x 3

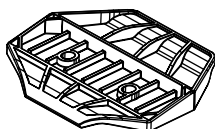


SA397 x 3

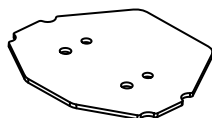


SA398 x 3

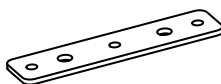
### Fitting Kit



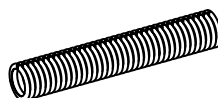
PS177 x 6



PS196 x 6



PS082 x 6



PS133-150 x 1



PS064 x 1



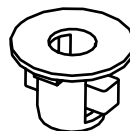
FW002  
(M8) x 12



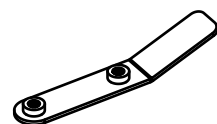
FW001  
(M6) x 12



FN006  
(M8) x 12



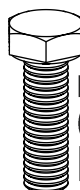
FN003  
(M6) x 12



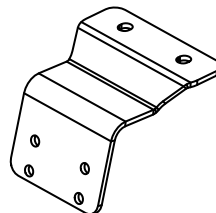
SA013 x 4



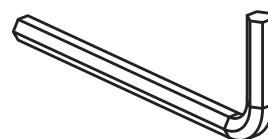
FS066  
(M8 x 40) x 12



FS001  
(M6 x 20) x 12

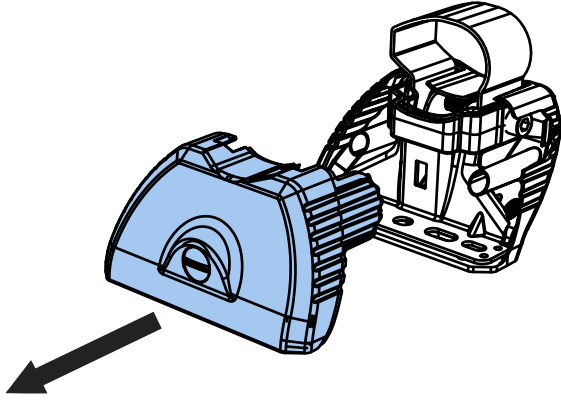


MS267 x 6

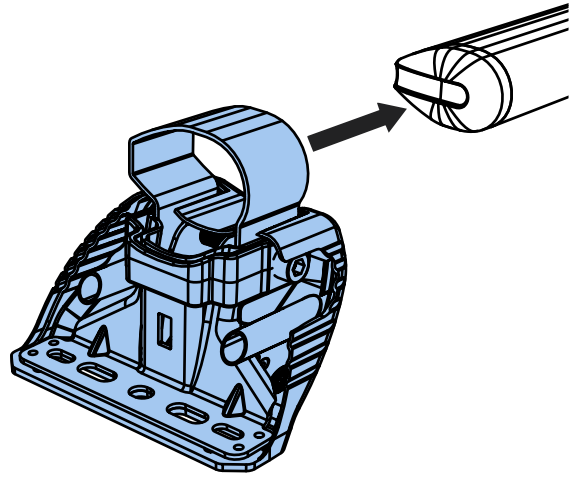


FT01 x 2

1.



2.



3.



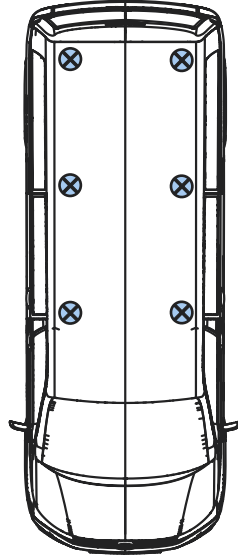
SA397  
PS177



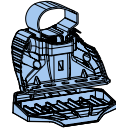
SA397  
PS177



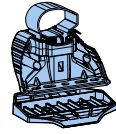
SA397  
PS177



SA398  
PS177



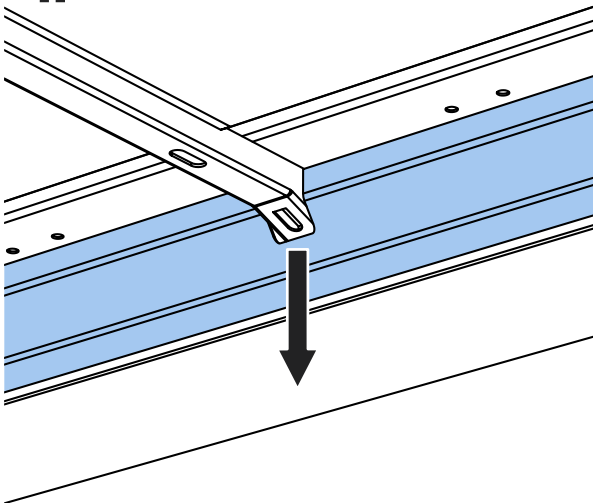
SA398  
PS177



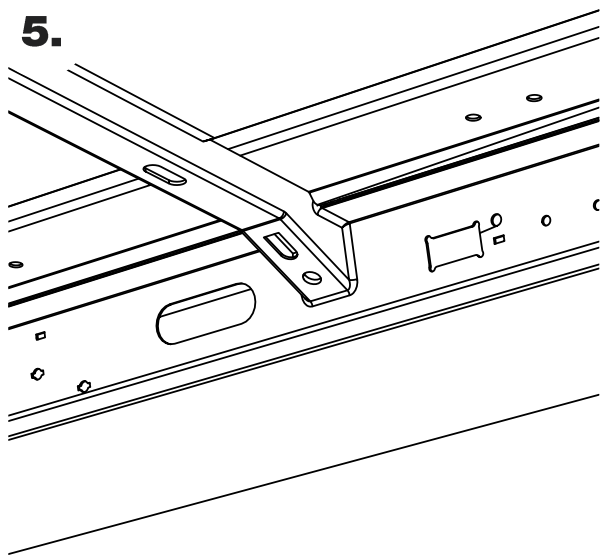
SA398  
PS177

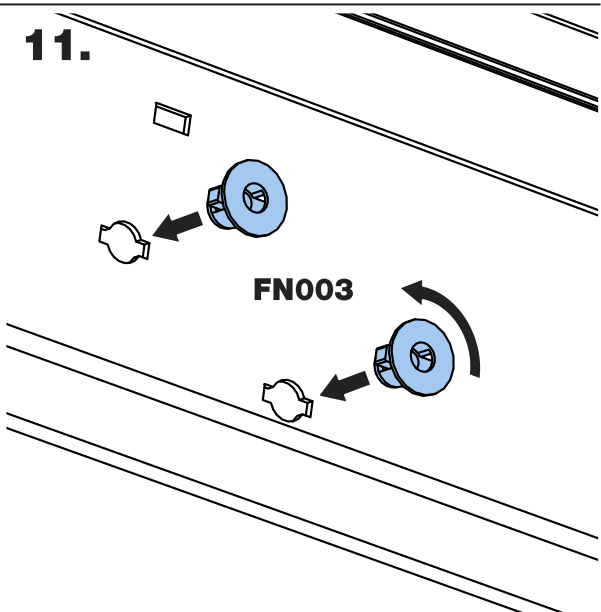
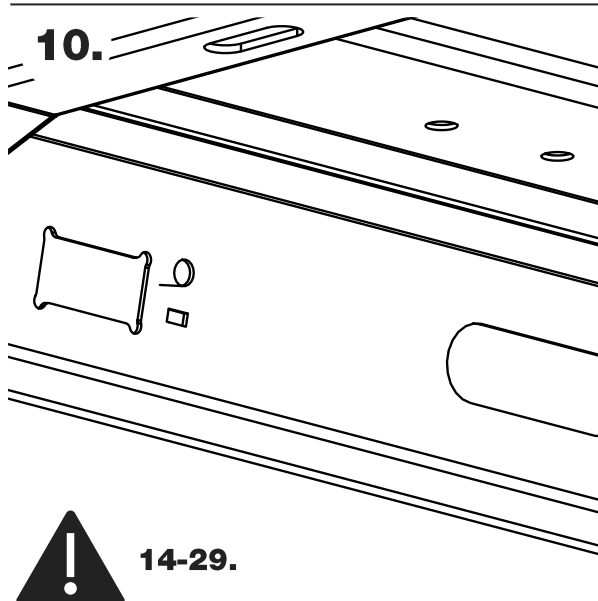
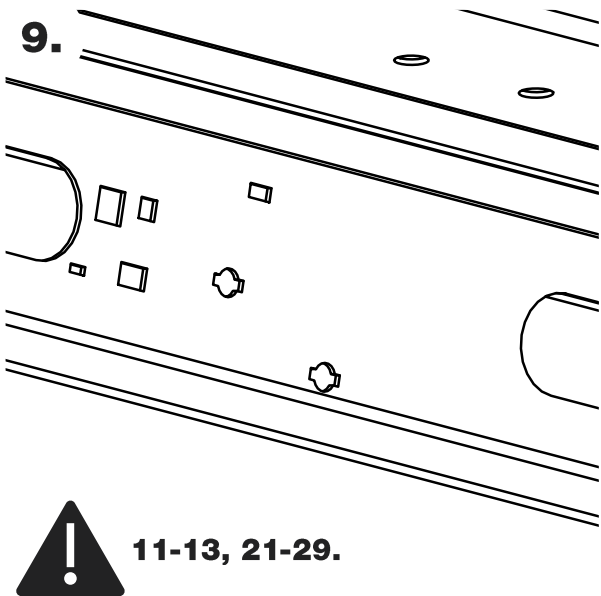
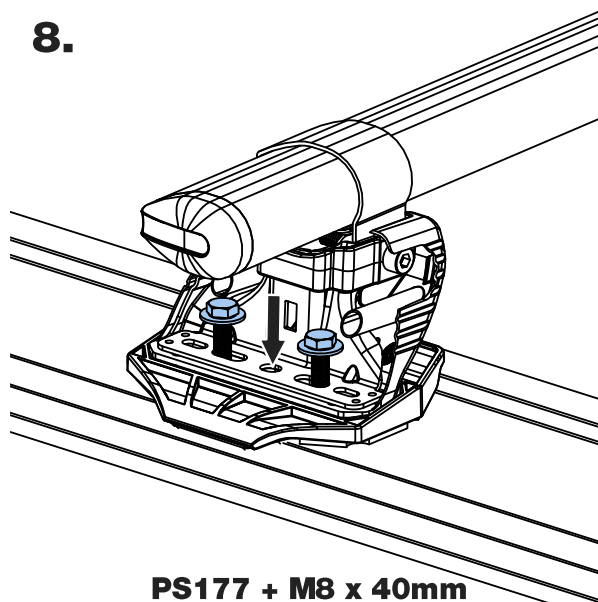
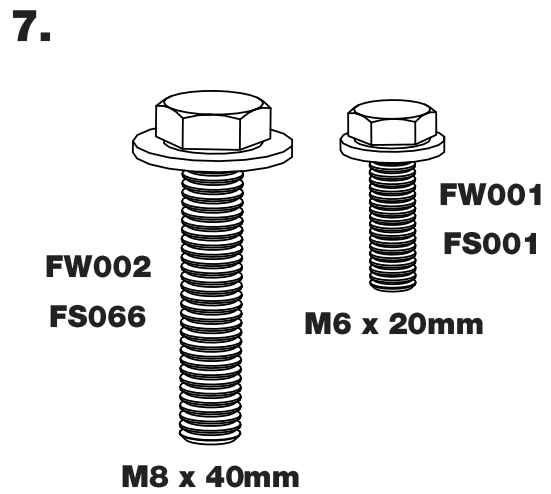
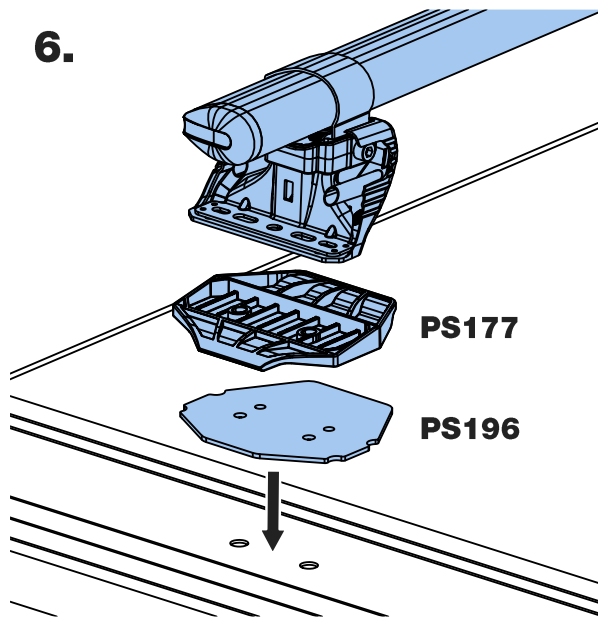


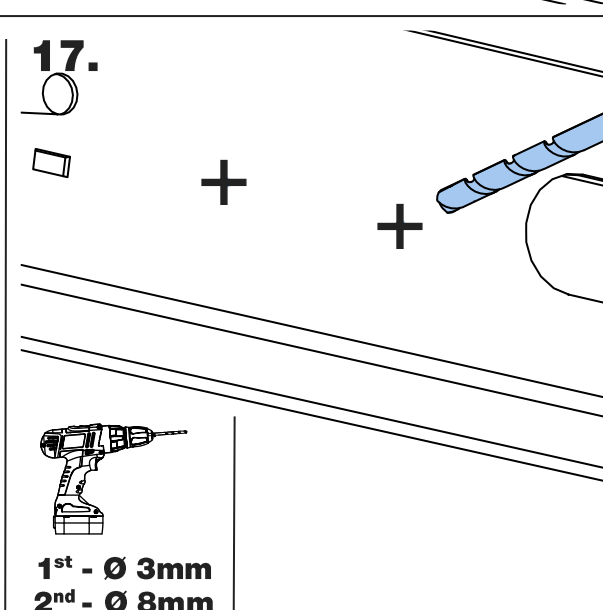
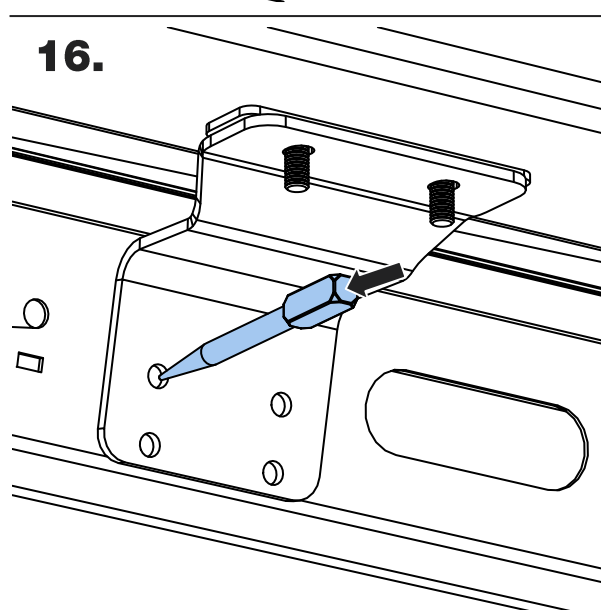
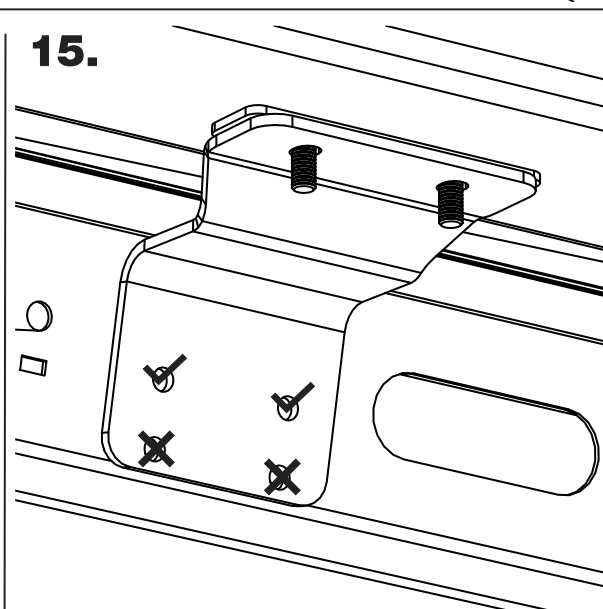
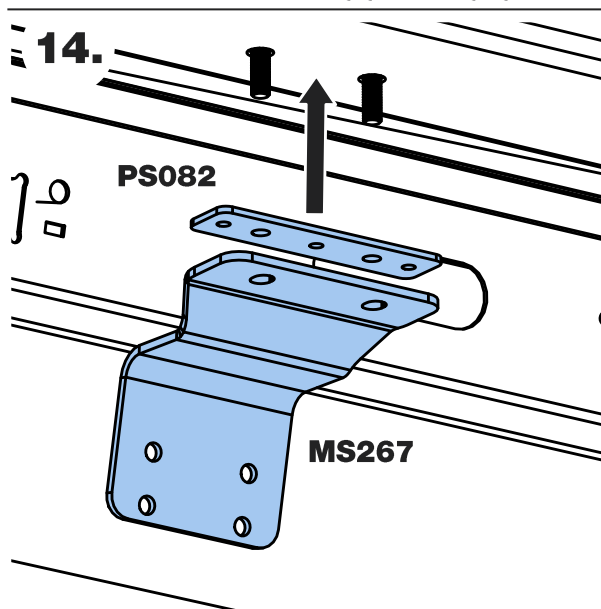
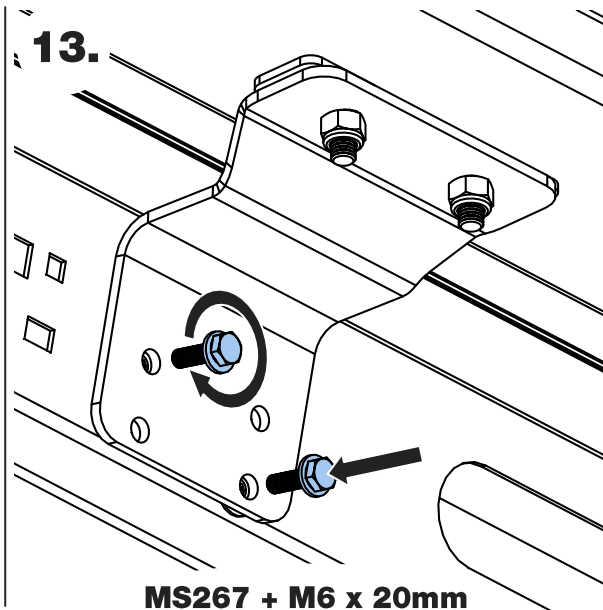
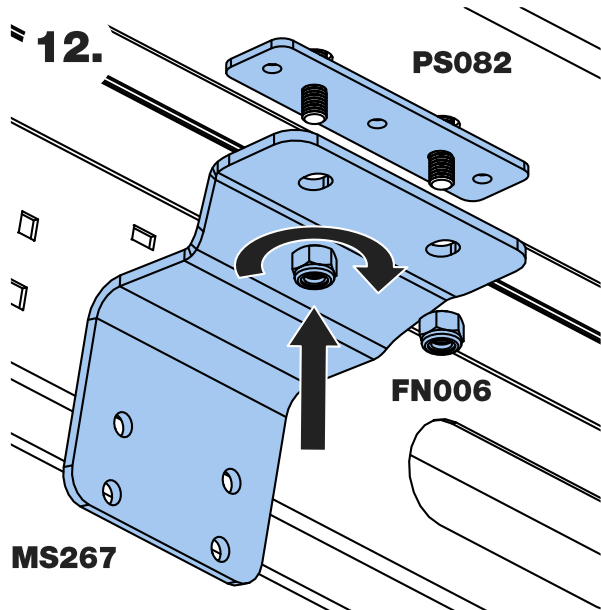
4.

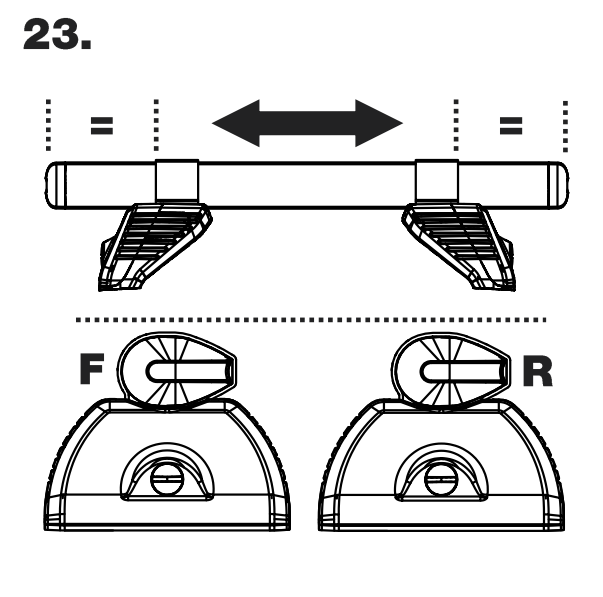
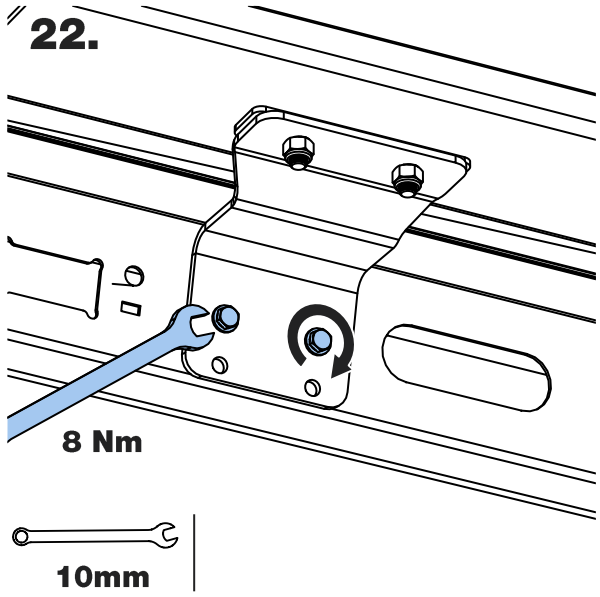
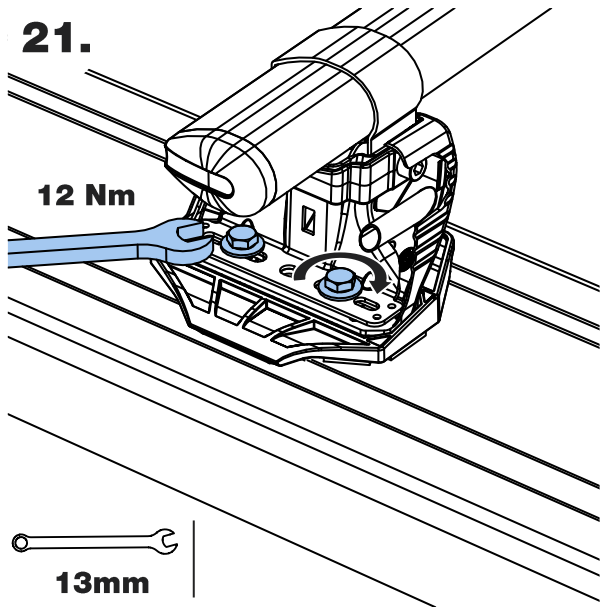
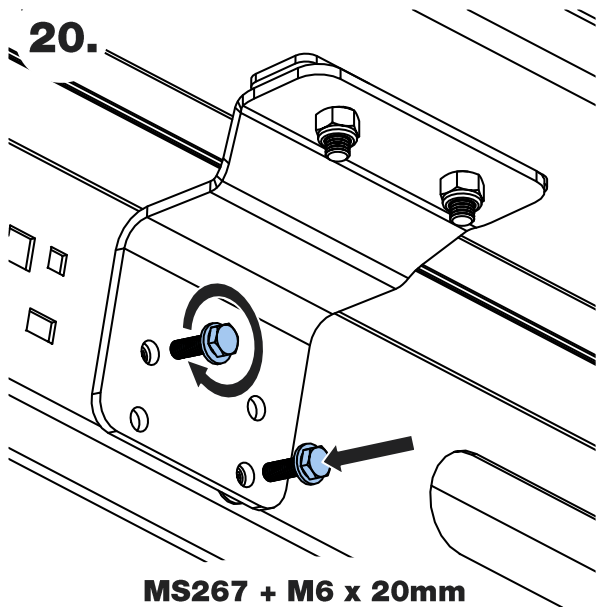
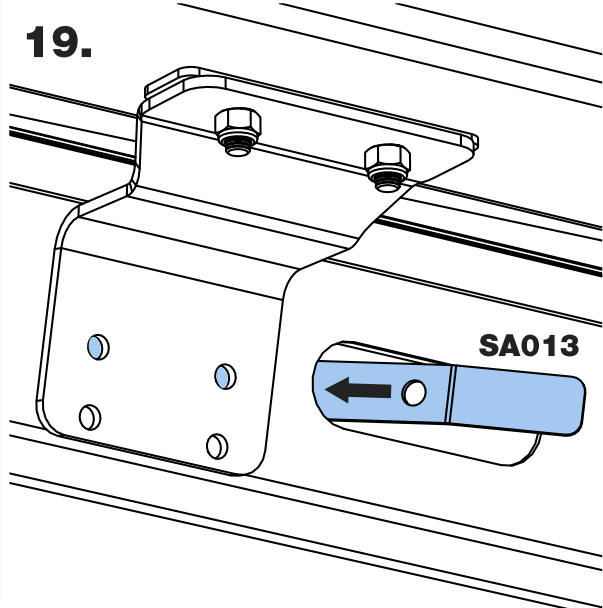
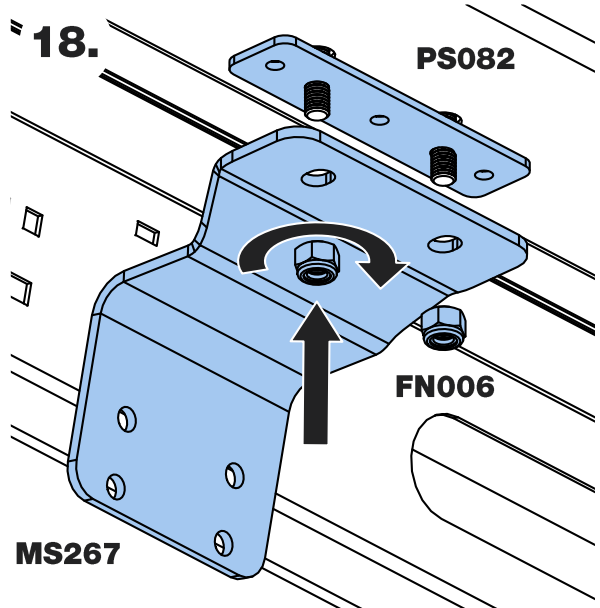


5.

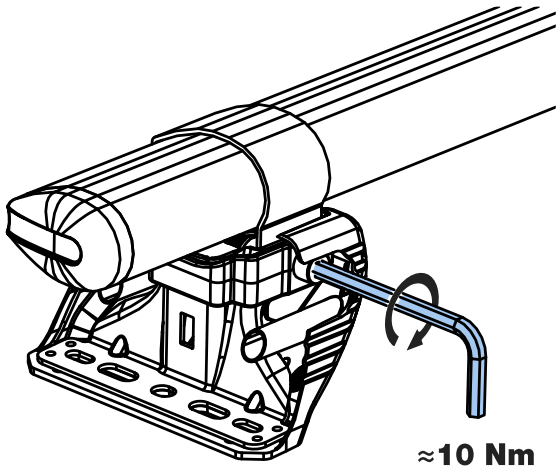




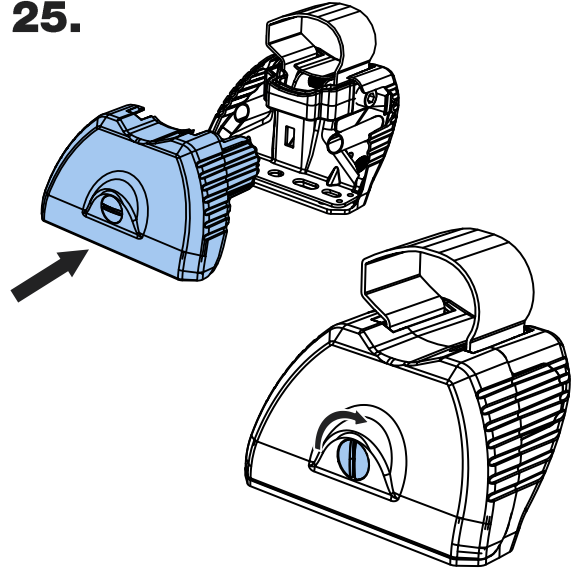




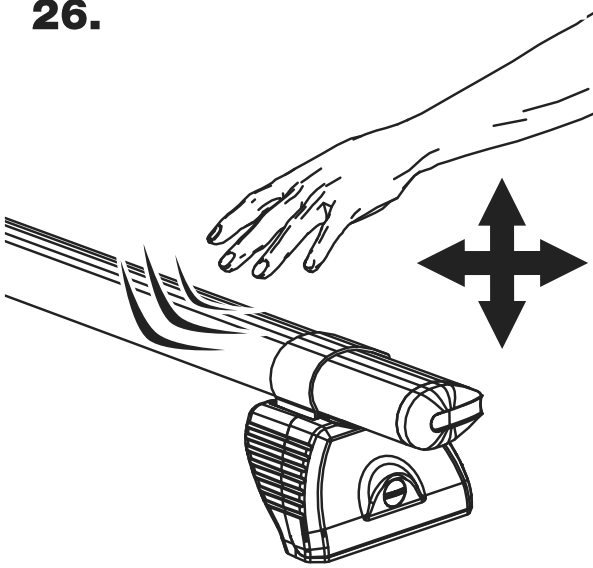
24.



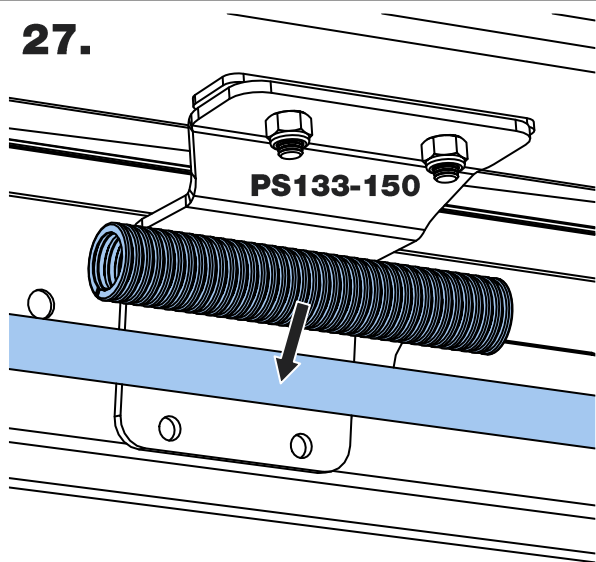
25.



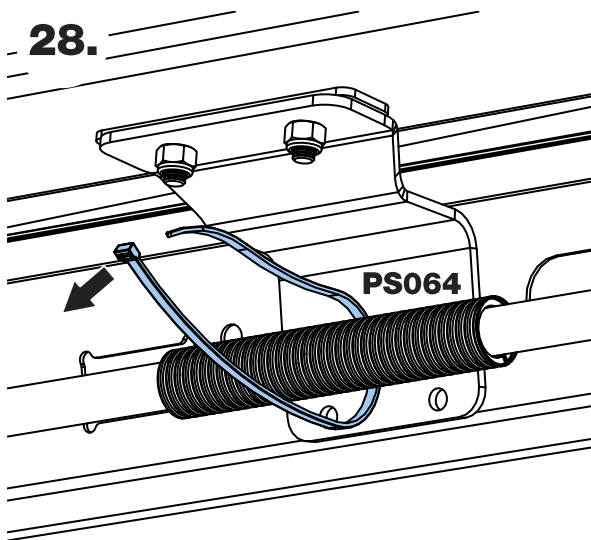
26.



27.



28.



29.

