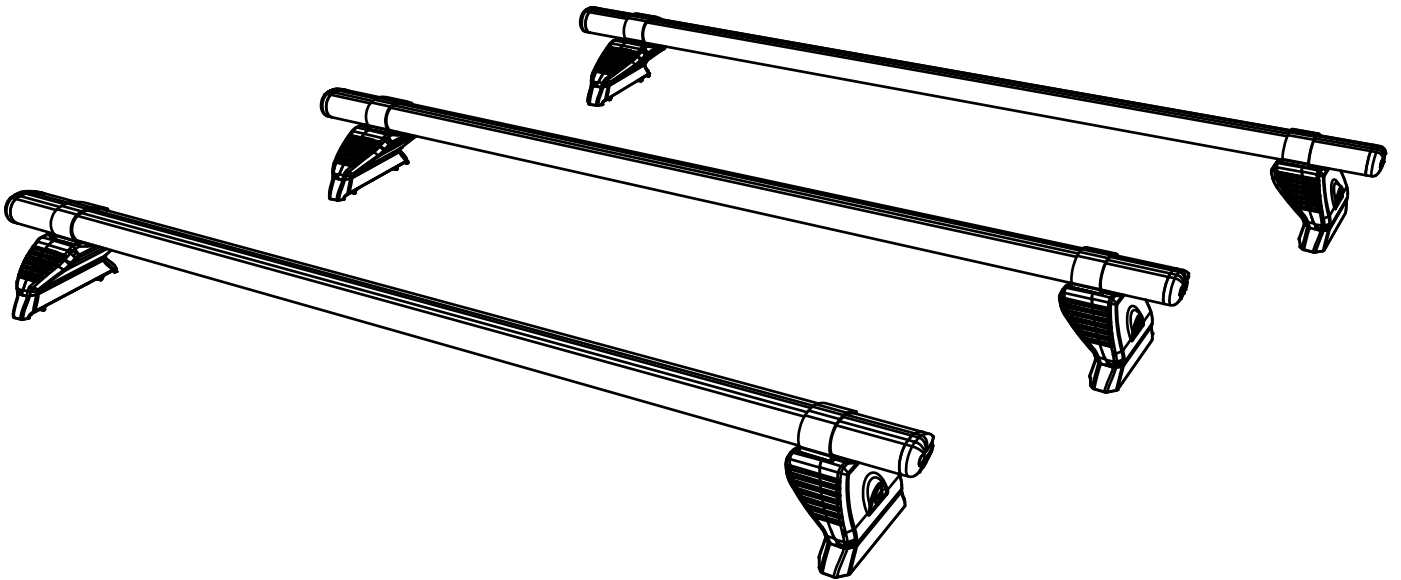


# IA3PR/FL

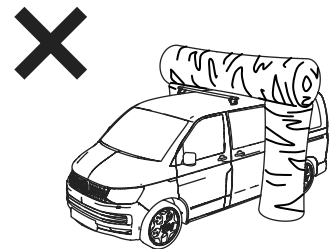
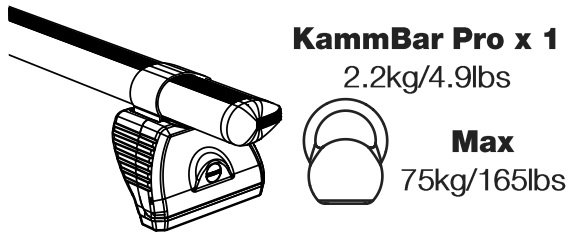
# KammBar

## Instructions

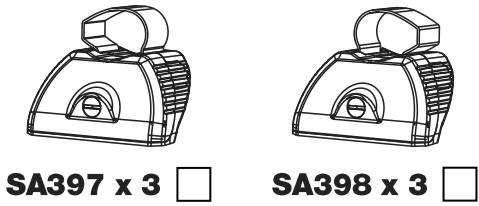
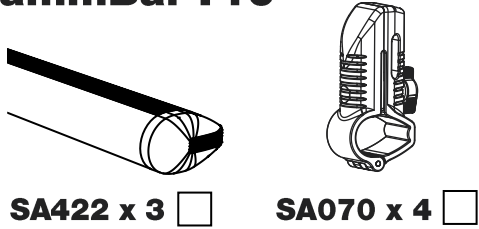


**CITY CRASH** (✓)

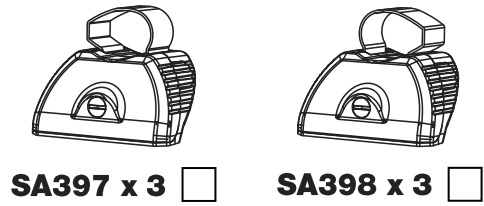
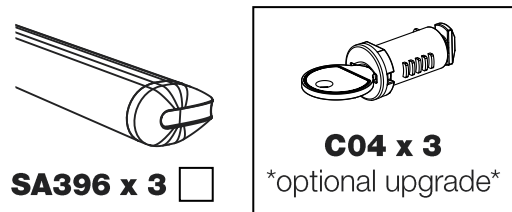
According to ISO/ PAS 11154:2006



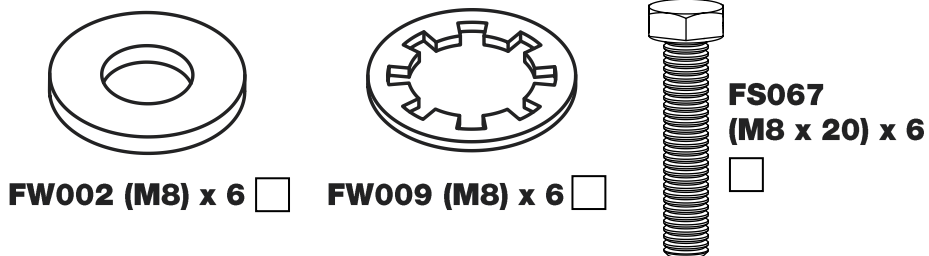
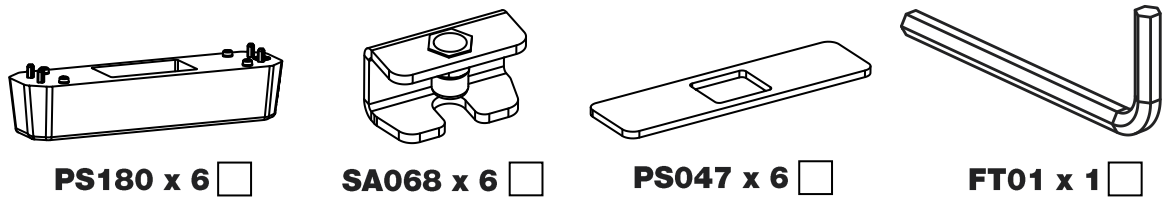
### KammBar Pro



### KammBar Fleet



### Fitting Kit



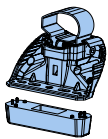
1.



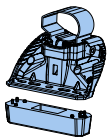
2.



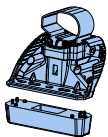
3.



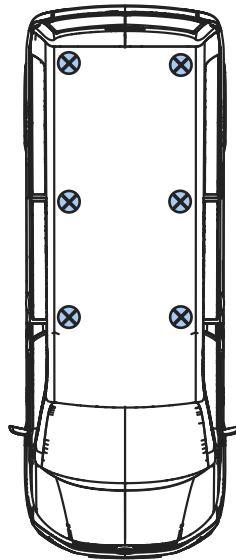
SA397  
PS180



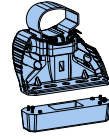
SA397  
PS180



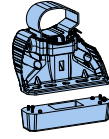
SA397  
PS180



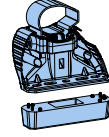
SA398  
PS180



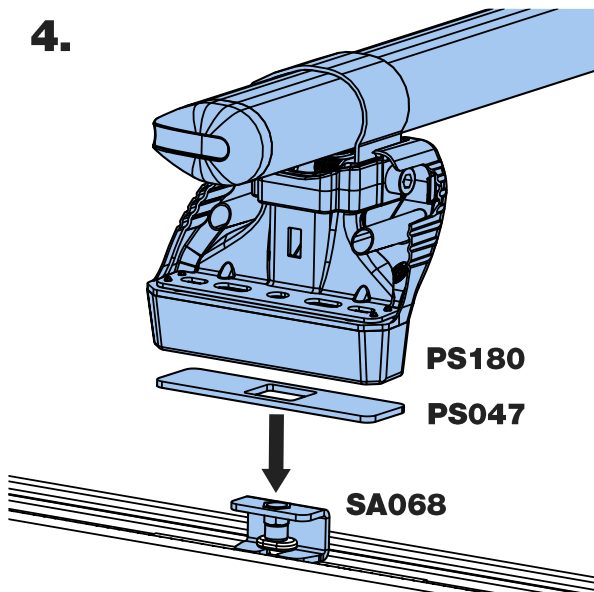
SA398  
PS180



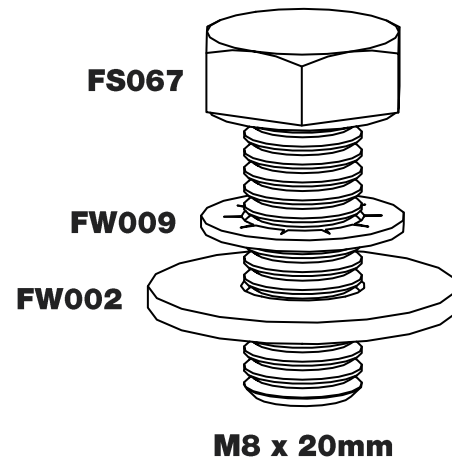
SA398  
PS180



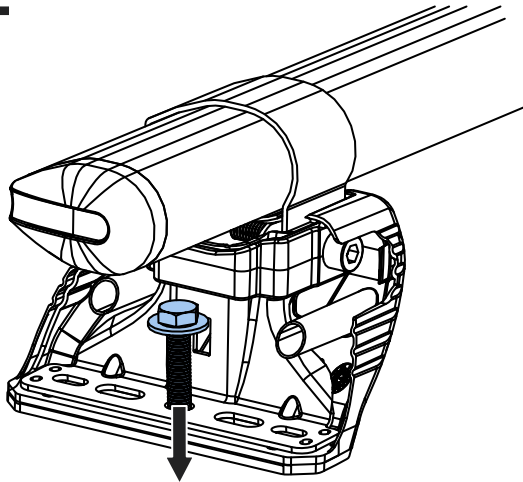
4.



5.

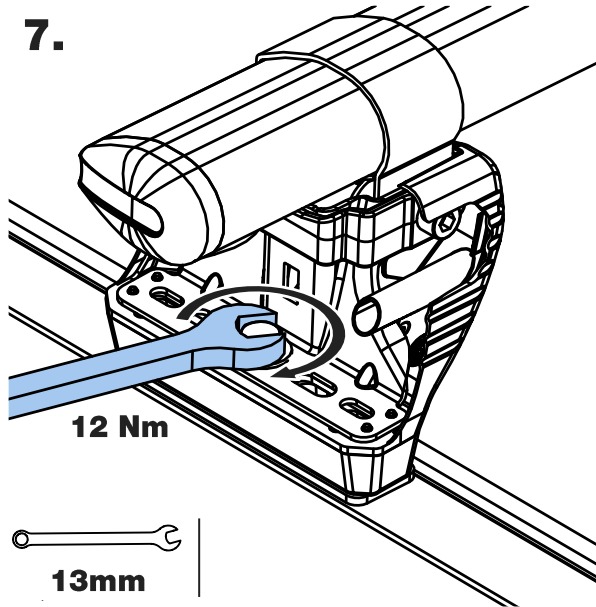


6.



PS180 + M8 x 20mm

7.

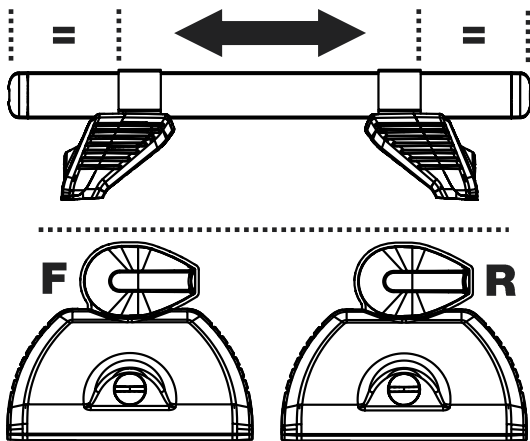


12 Nm

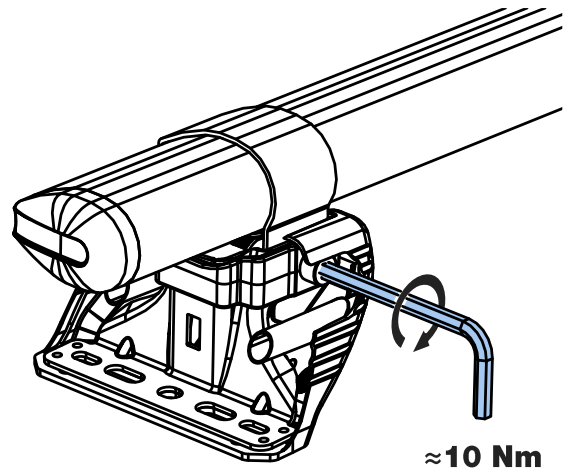


13mm

8.

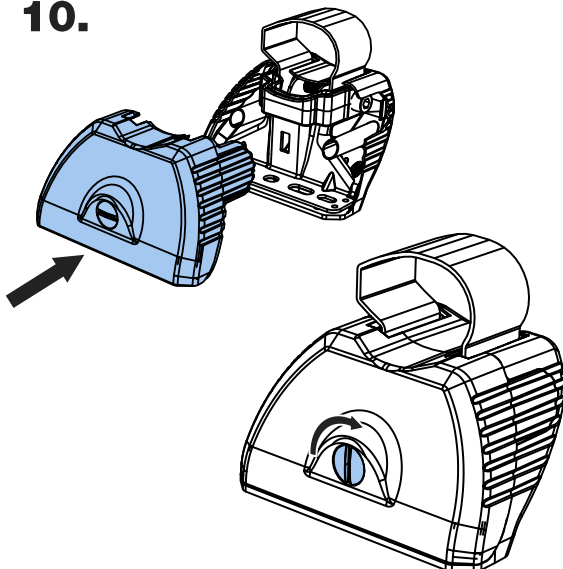


9.



≈10 Nm

10.



11.

