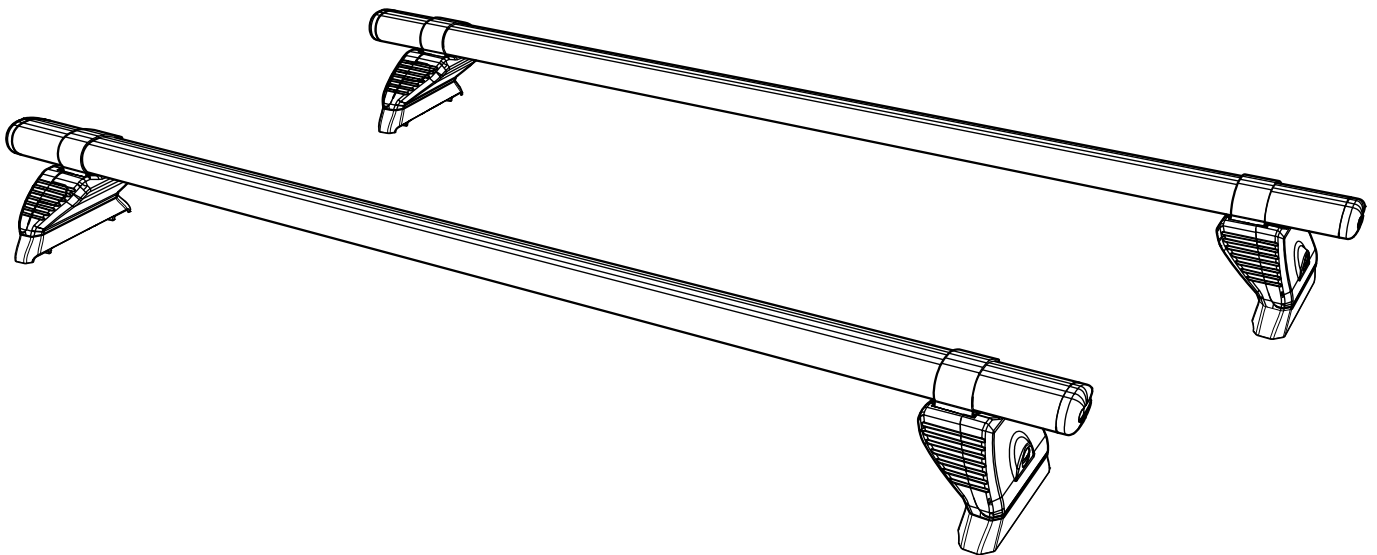


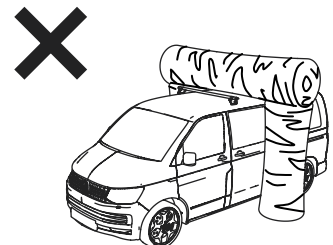
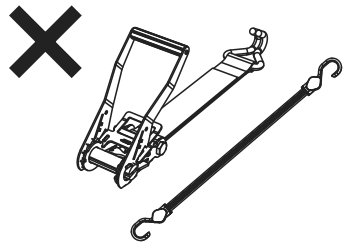
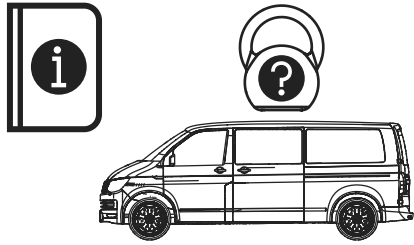
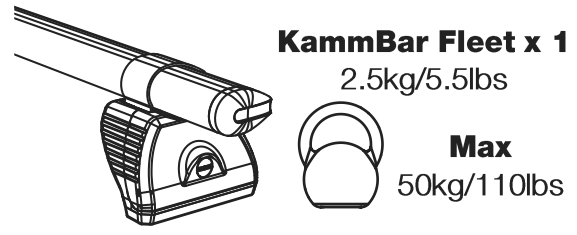
PB2PR/FL KammBar

Instructions

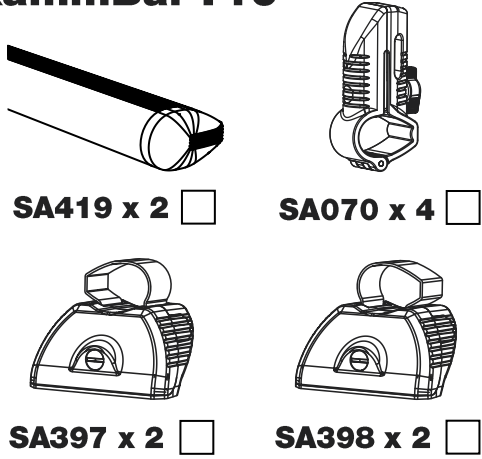


CITY CRASH (✓)

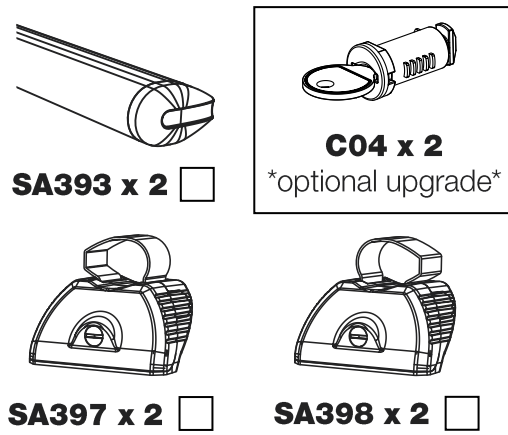
According to ISO/ PAS 11154:2006



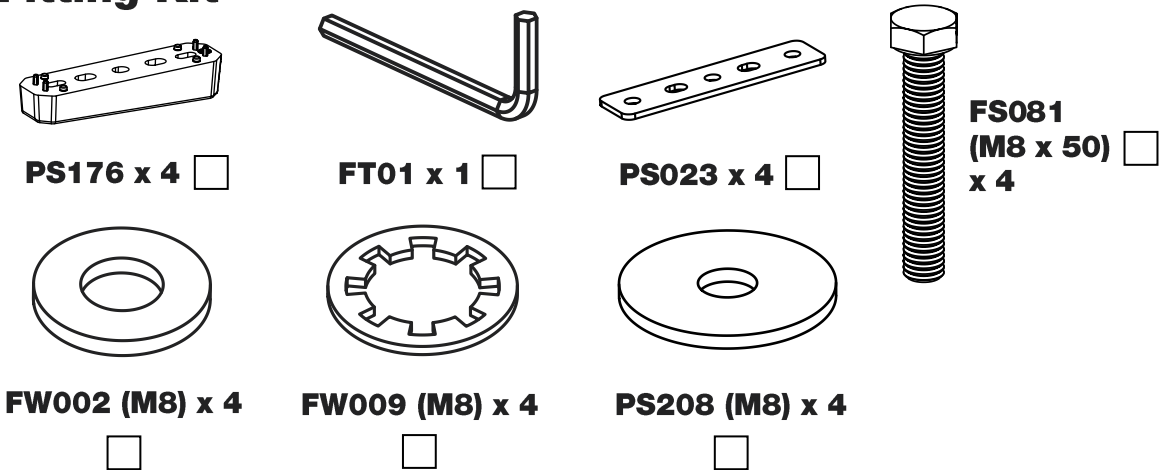
KammBar Pro



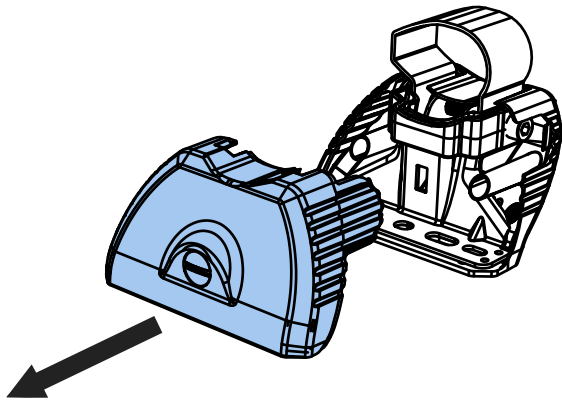
KammBar Fleet



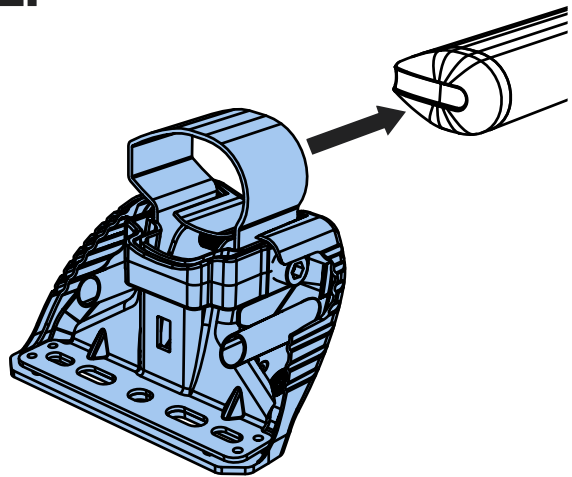
Fitting Kit



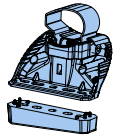
1.



2.



3.

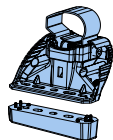
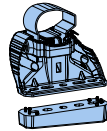


SA397

PS176

SA398

PS176

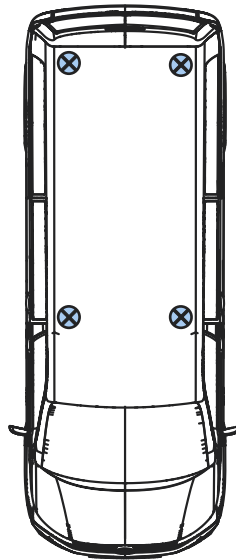
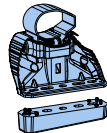


SA397

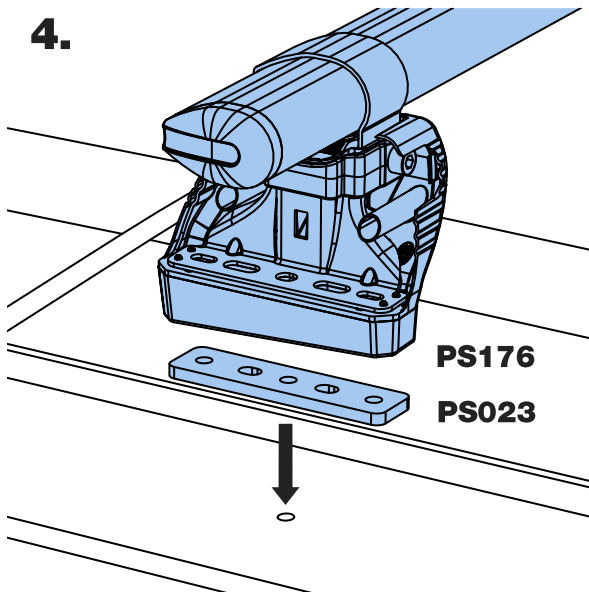
PS176

SA398

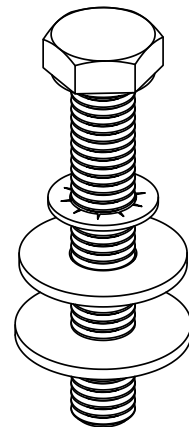
PS176



4.



5.



FS081

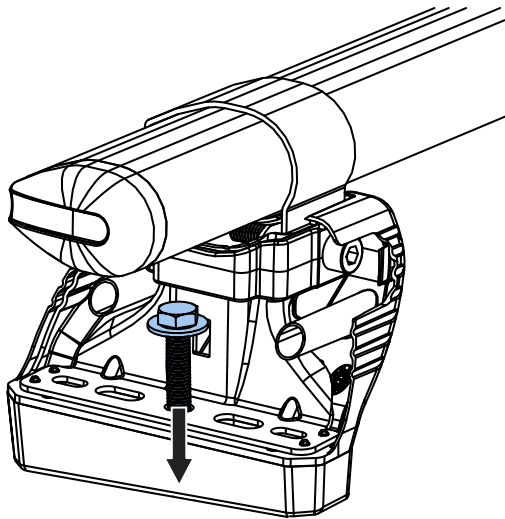
FW009

FW002

PS208

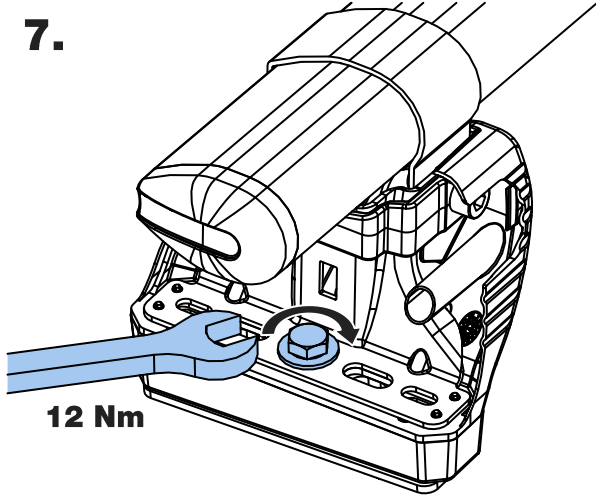
M8 x 50mm

6.

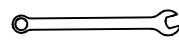


PS176 + M8 x 50mm

7.

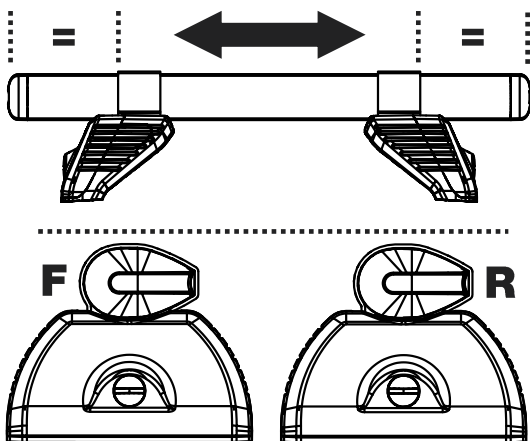


12 Nm

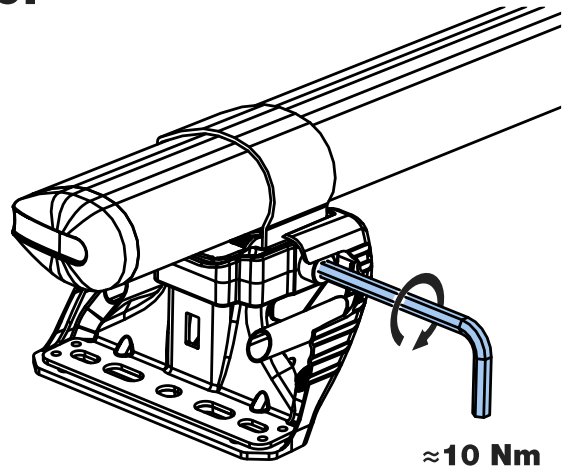


13mm

8.

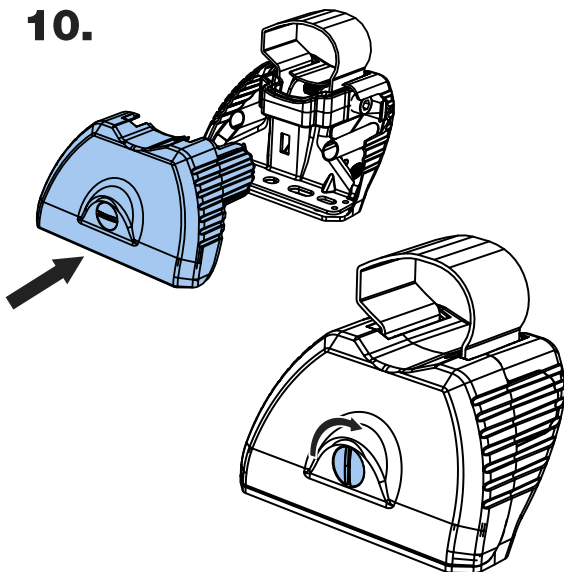


9.



≈ 10 Nm

10.



11.

