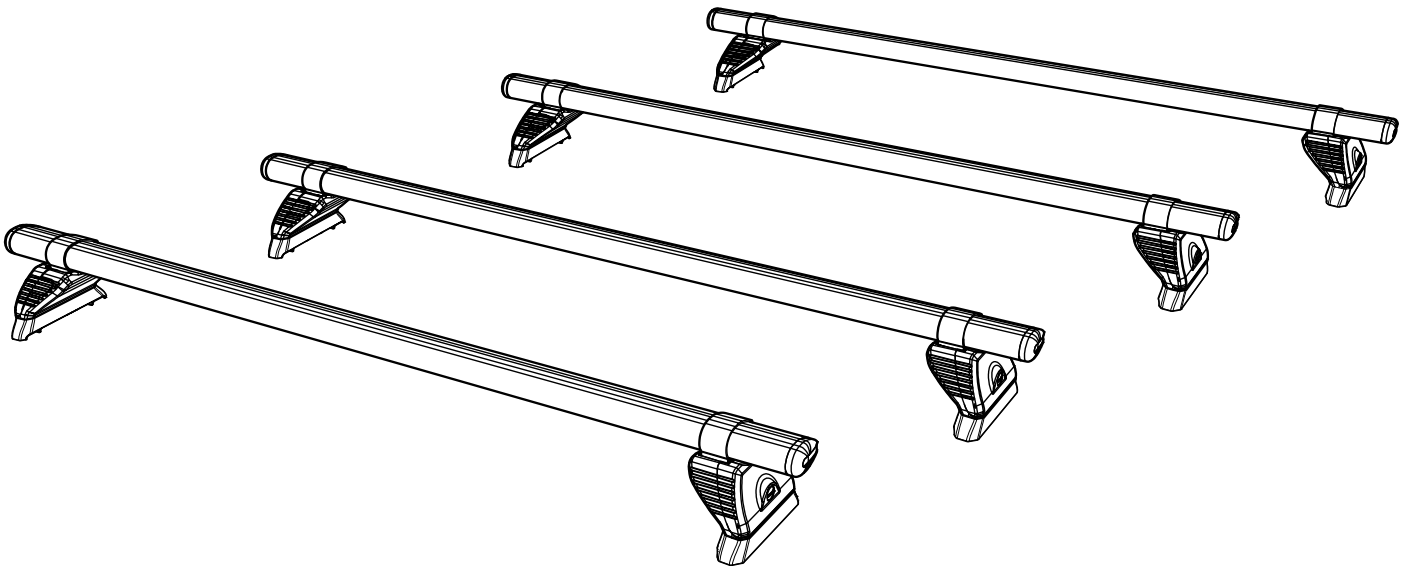


KB4PR/FL

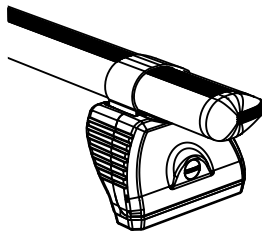
KammBar

Instructions



CITY CRASH (✓)

According to ISO/ PAS 11154:2006



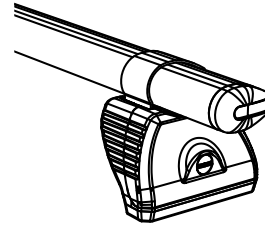
KammBar Pro x 1

2.2kg/4.9lbs



Max

75kg/165lbs



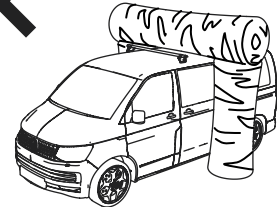
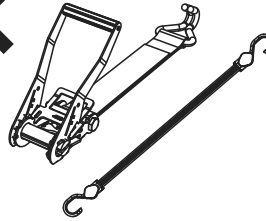
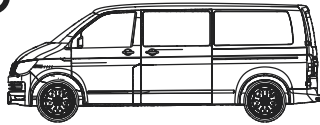
KammBar Fleet x 1

2.5kg/5.5lbs

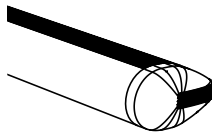


Max

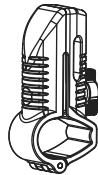
50kg/110lbs



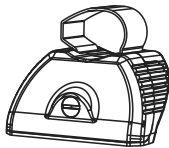
KammBar Pro



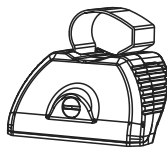
SA419 x 4



SA070 x 4

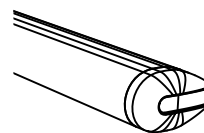


SA397 x 4



SA398 x 4

KammBar Fleet

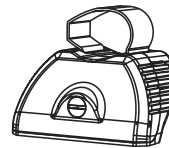


SA393 x 4

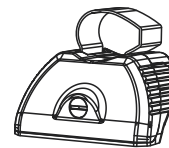


C04 x 4

optional upgrade

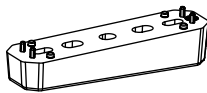


SA397 x 4

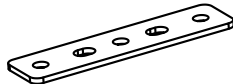


SA398 x 4

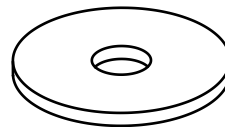
Fitting Kit



PS176 x 4



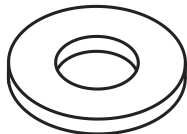
PS023 x 8



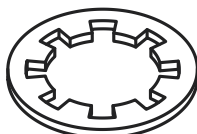
PS260 (M8) x 8



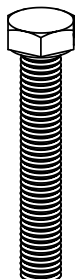
FT01 x 1



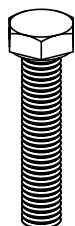
FW002 (M8) x 8



FW009 (M8) x 8



FS081 (M8 x 50) x 4



FS062 (M8 x 25) x 4

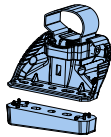
1.



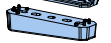
2.



3.



SA397



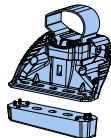
PS176



SA397

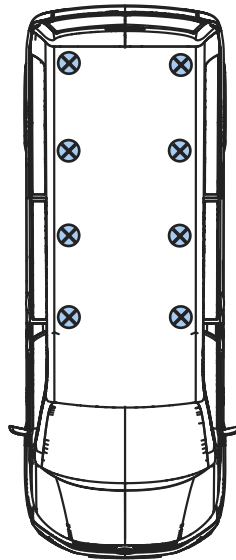


SA397

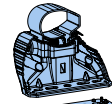


SA397

PS176



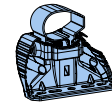
SA398



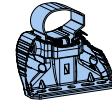
PS176



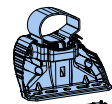
SA398



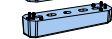
SA398



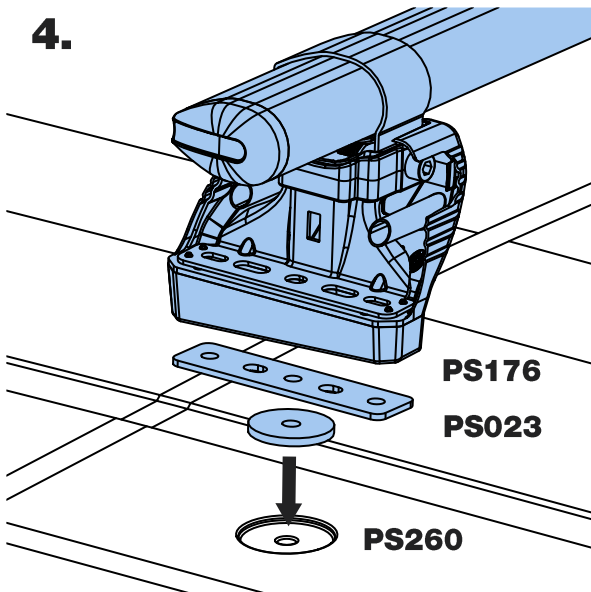
SA398



PS176



4.

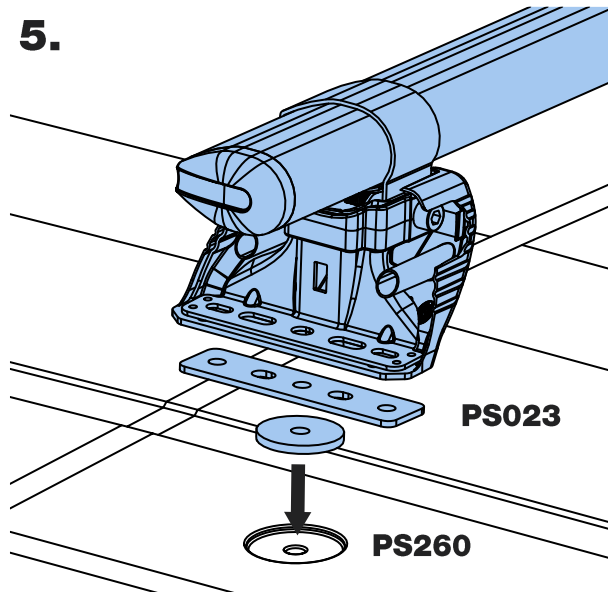


PS176

PS023

PS260

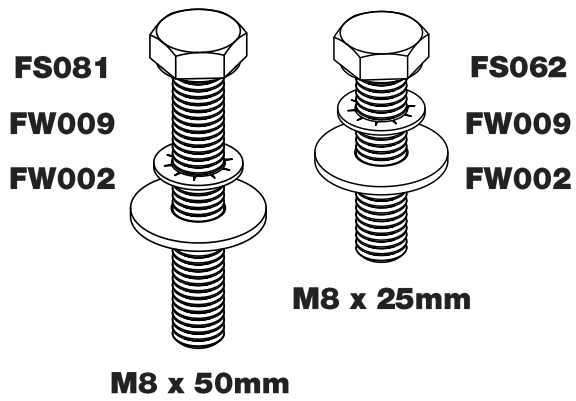
5.



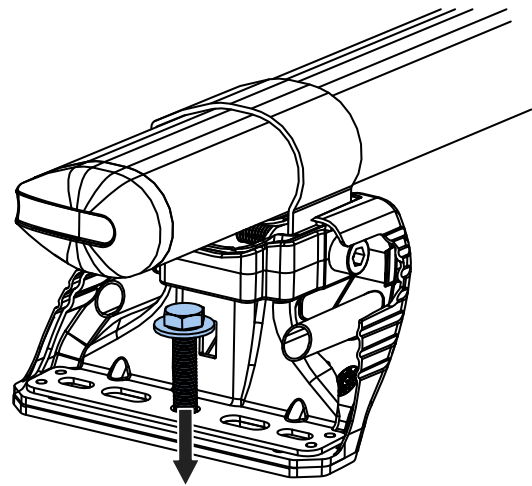
PS023

PS260

6.

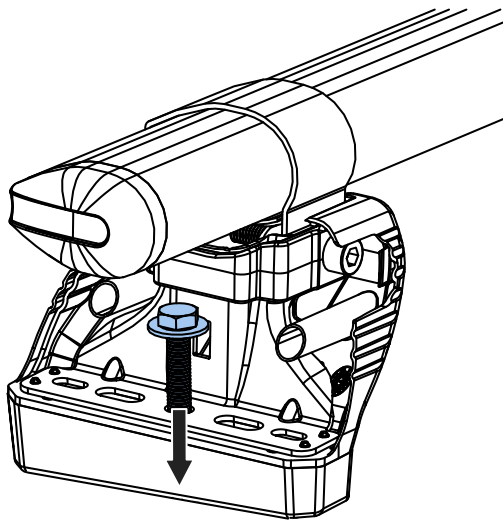


7.



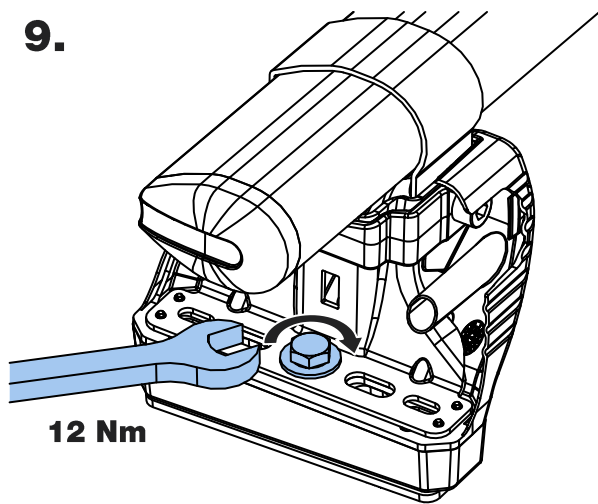
PS023 + M8 x 25mm

8.



PS176 + M8 x 50mm

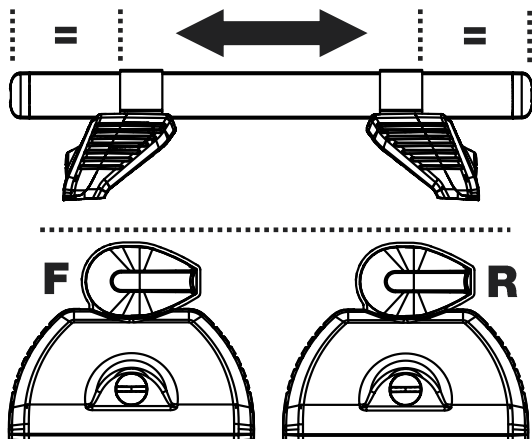
9.



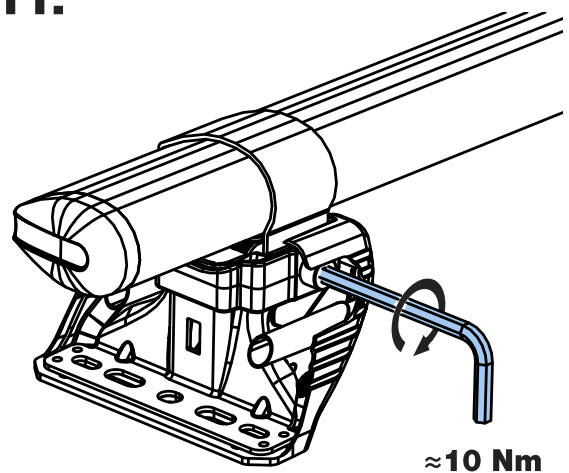
12 Nm



10.

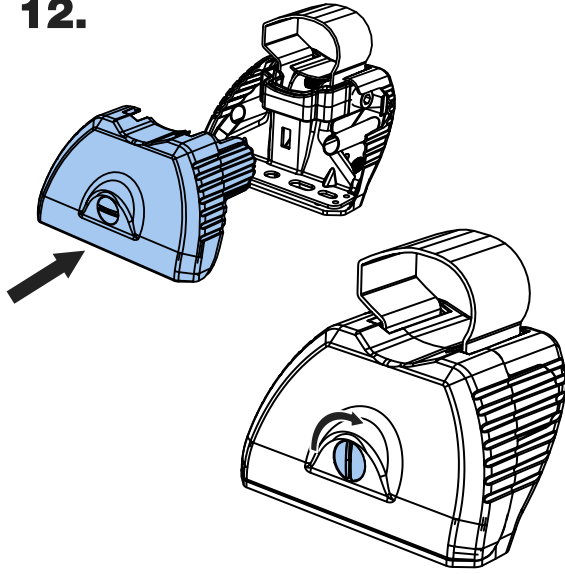


11.



≈ 10 Nm

12.



13.

