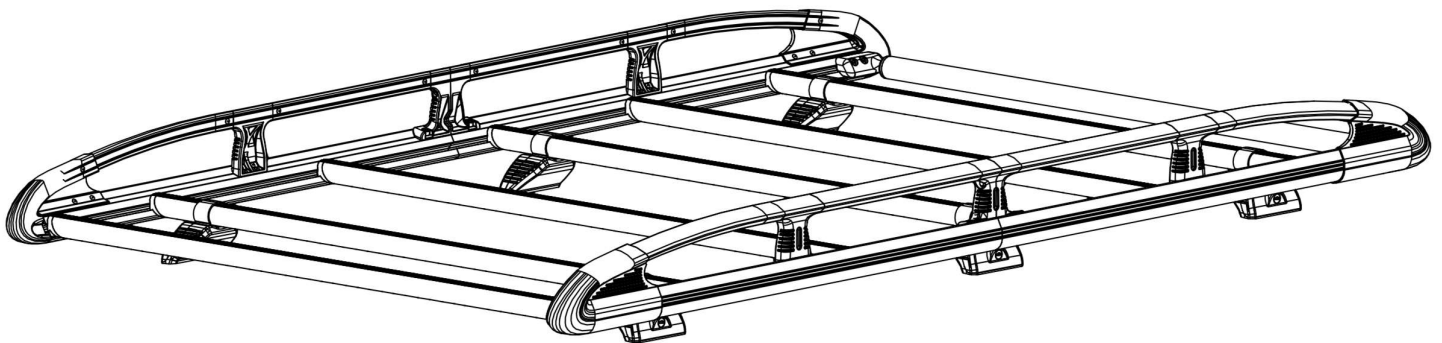


# T54KR

# KammRack

## Instructions



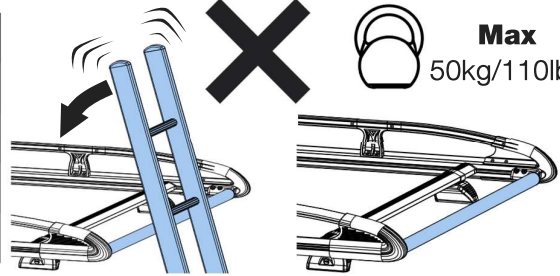
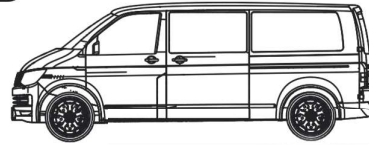
**CITY CRASH** (✓)

According to ISO/ PAS 11154:2006

**T54KR:**

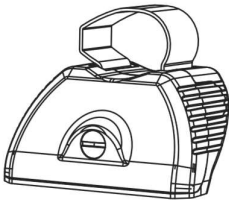
**VW T5, 2002 –**

**VW T6, 2015 –**

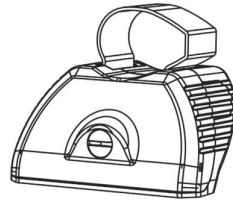


**Max**  
50kg/110lbs

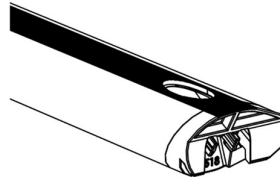
**KammRack**



**SA397U x 4**



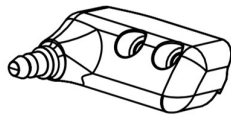
**SA398U x 4**



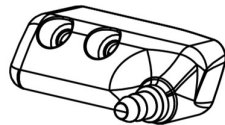
**SA429**



**C04 x 8**  
\*optional upgrade\*



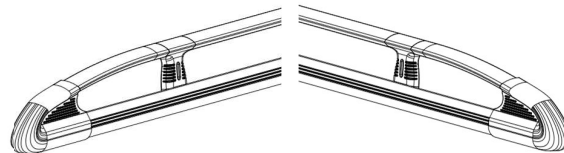
**PS519 x 1**



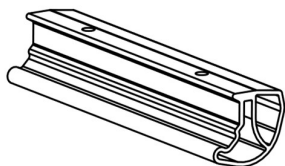
**PS520 x 1**

**LHS x 2**

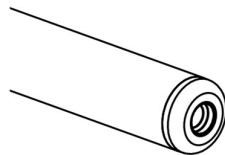
**RHS x 2**



**ASF x 1**

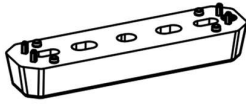


**EXT15-02 x 2**

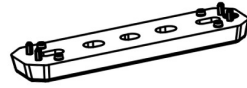


**SA437 x 1**

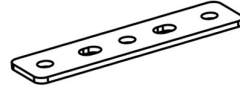
## Fitting Kit



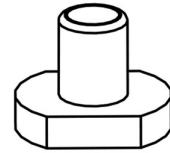
PS183 x 4



PS178 x 4



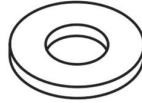
PS023 x 8



FN085 x 20



PS009 x 16



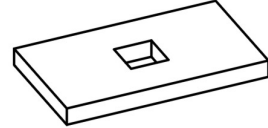
FW001  
(M6) x 24



FN001  
(M6) x 16



FW008  
(M6) x 8



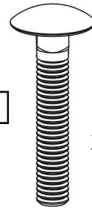
MS098 x 16



FS104  
(M6 x 45)  
x 8



FS042  
(M6 x 40)  
x 4



FS048  
(M6 x 35)  
x 8



FS039  
(M6 x 30)  
x 4



FT01 x 1

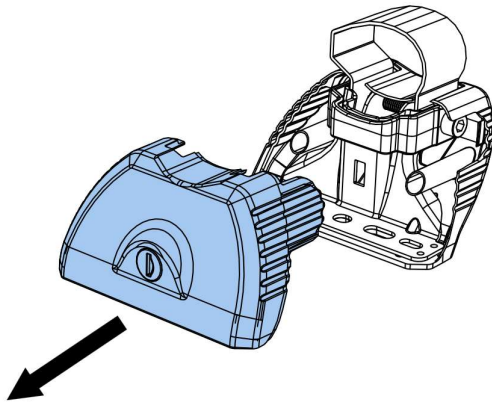


FS059   
(M8 x 25) x 20

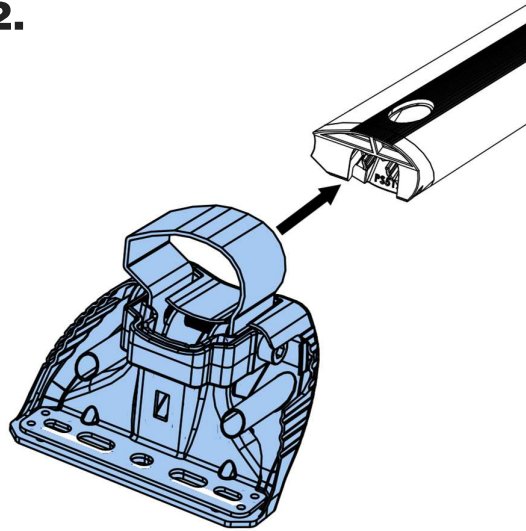


FT05 x 1

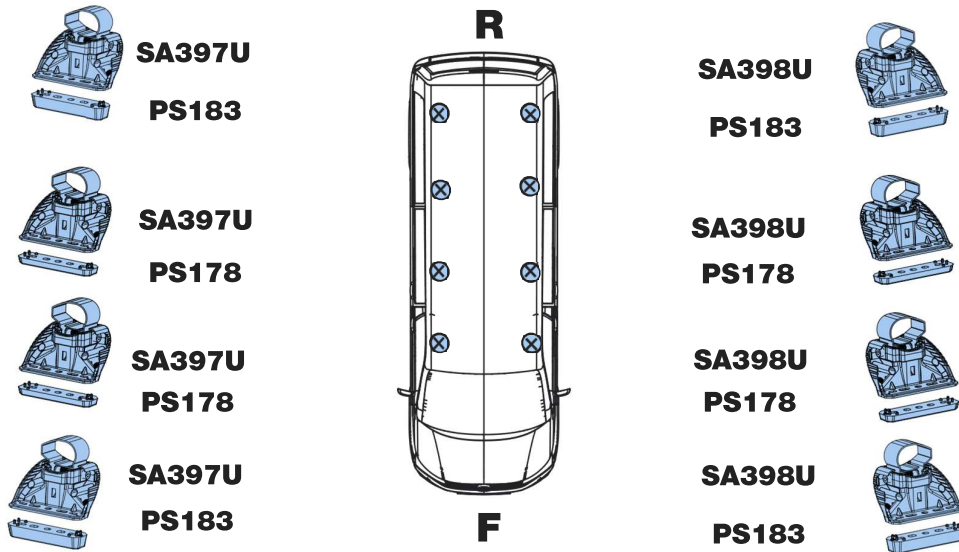
1.



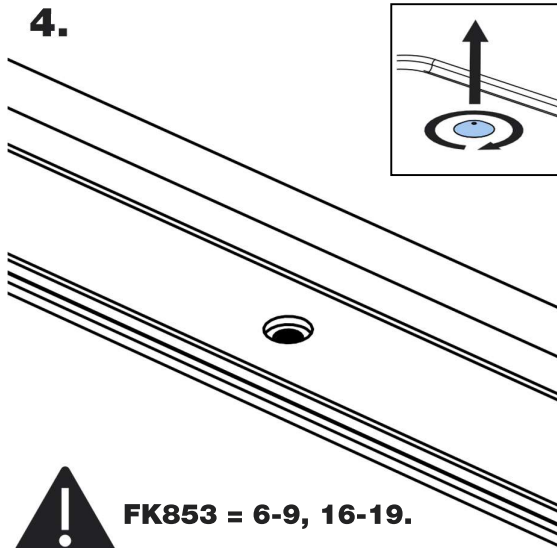
2.



3.

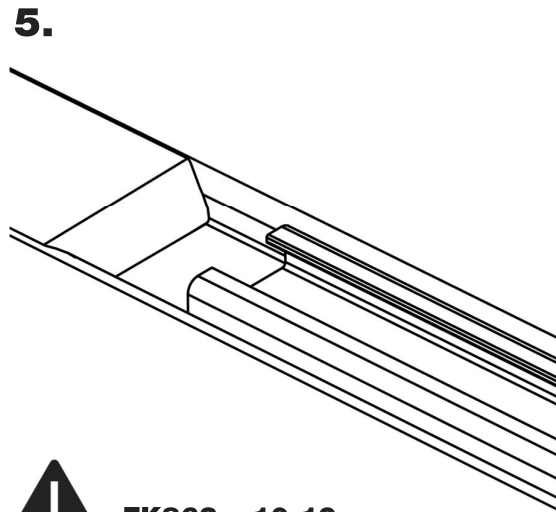


4.

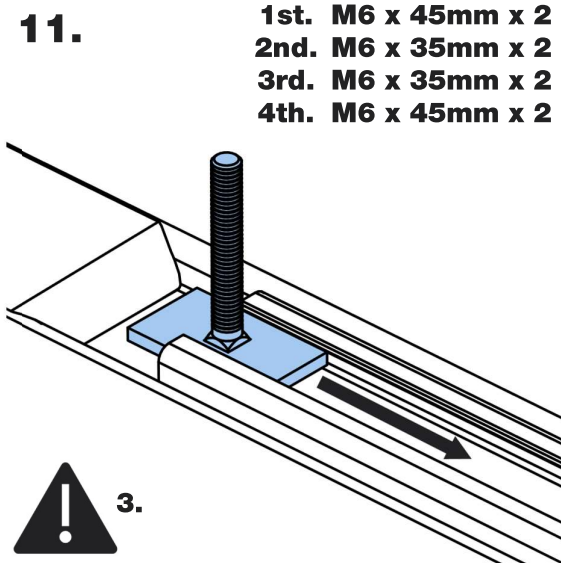
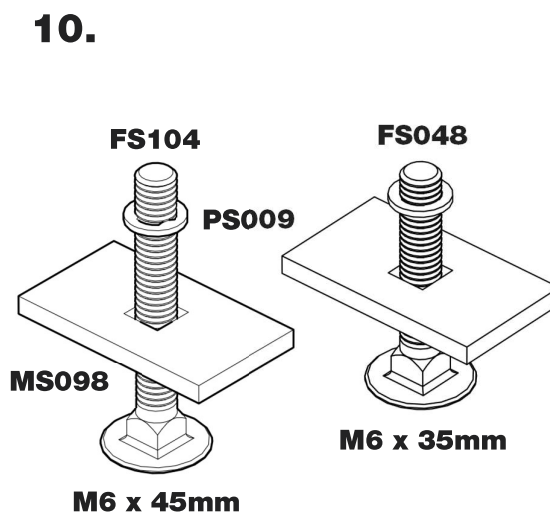
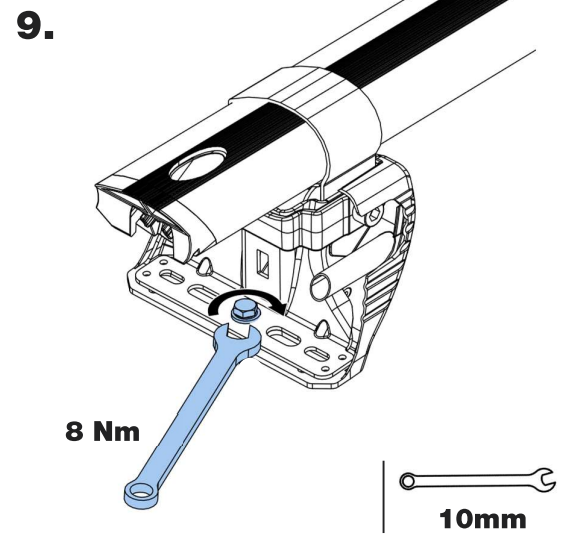
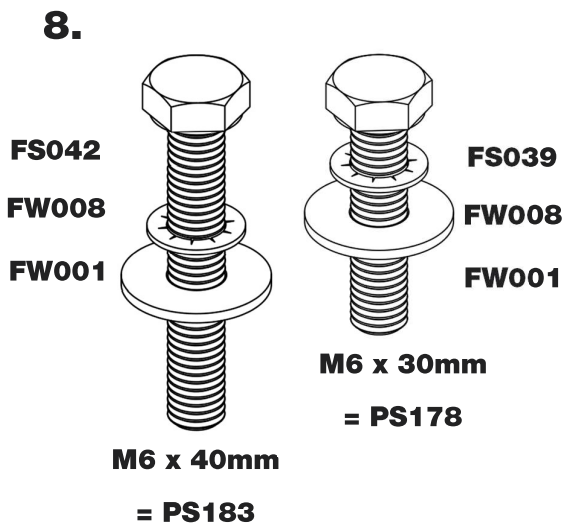
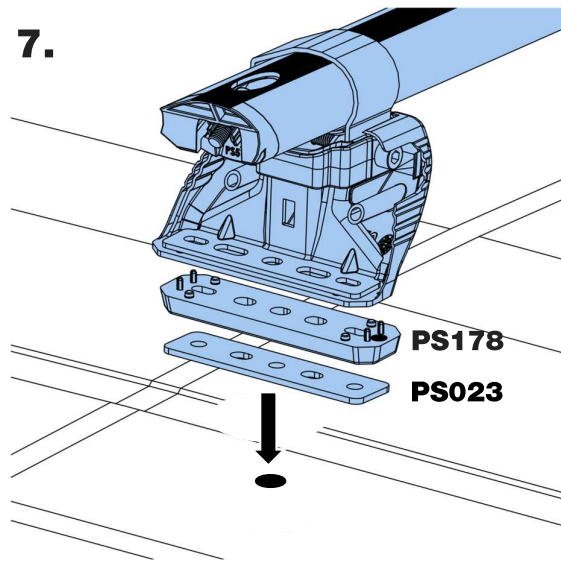
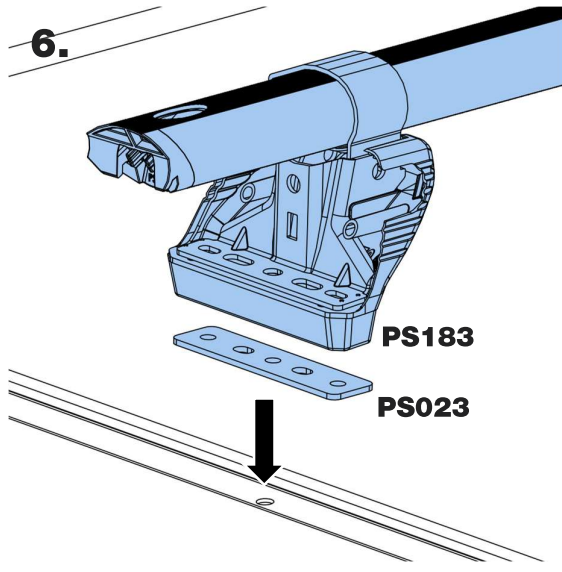


FK853 = 6-9, 16-19.

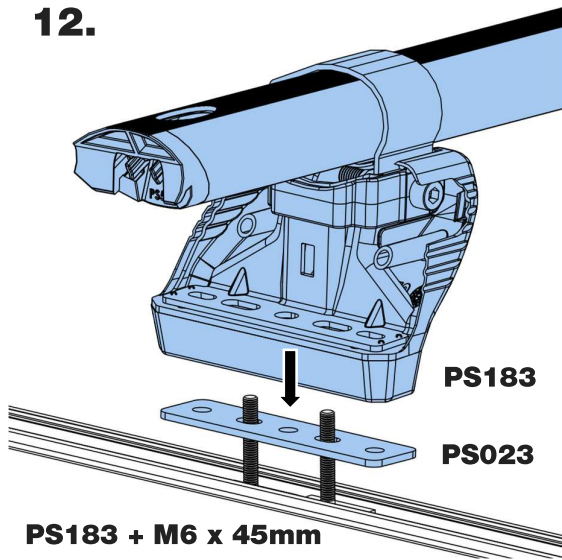
5.



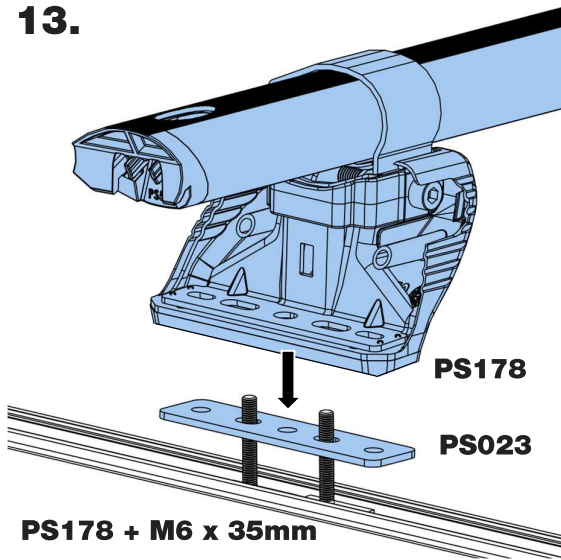
FK862 = 10-19.



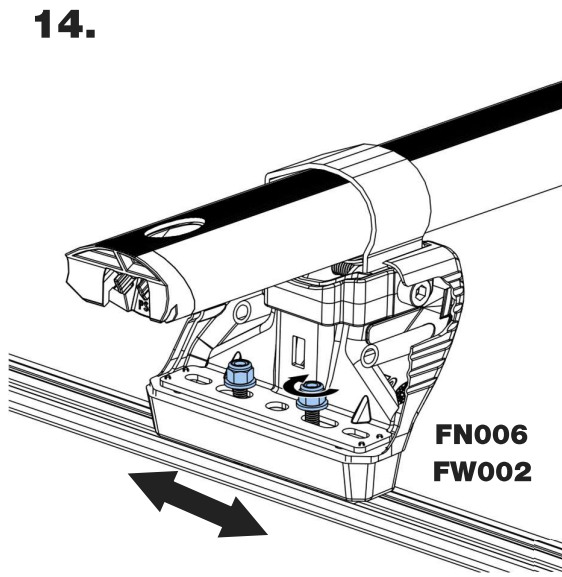
12.



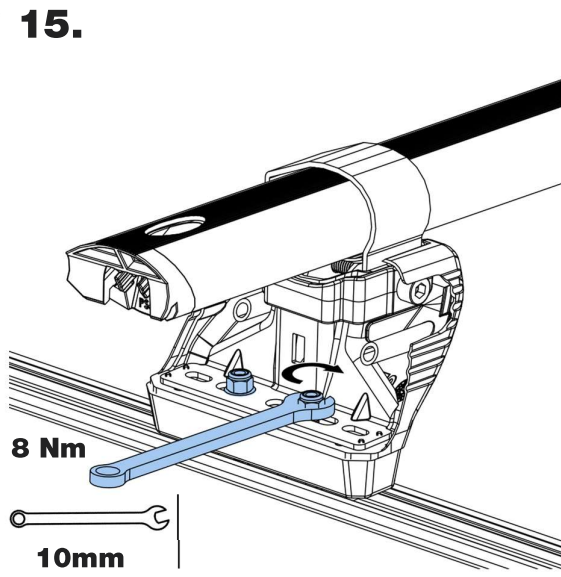
13.



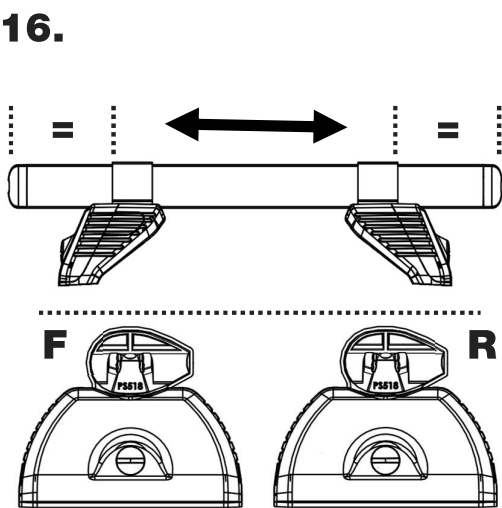
14.



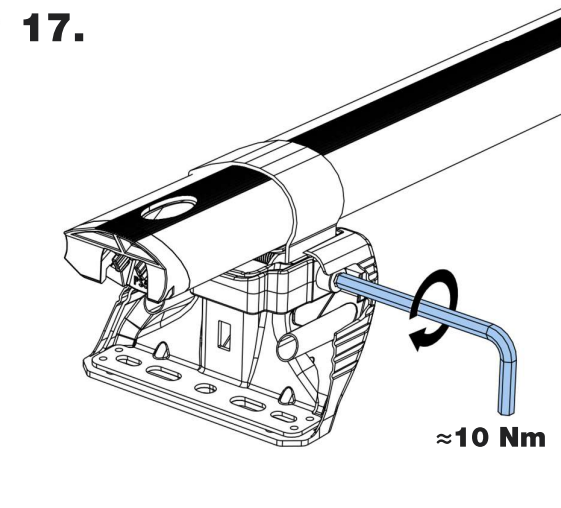
15.



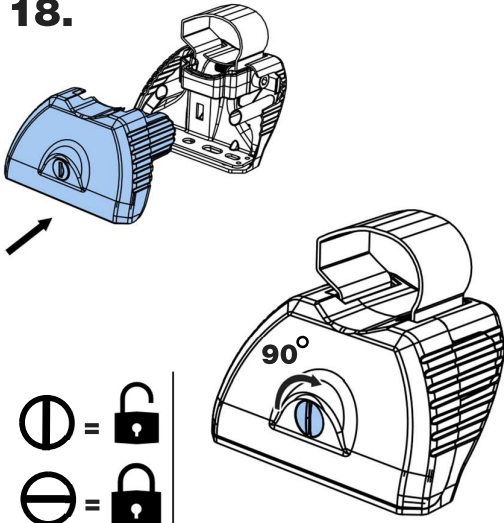
16.



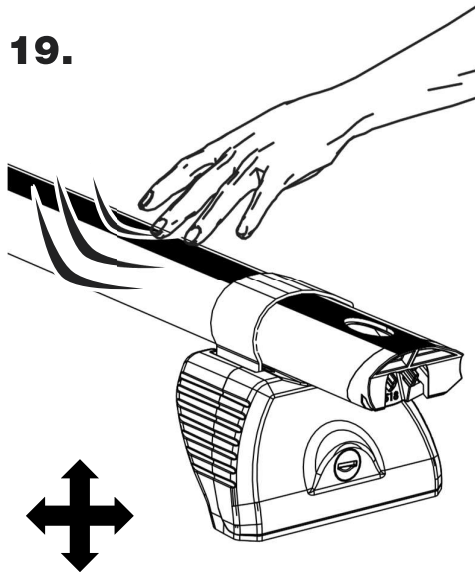
17.



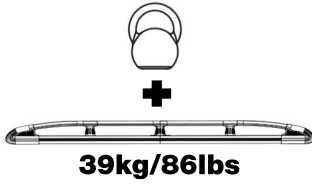
18.



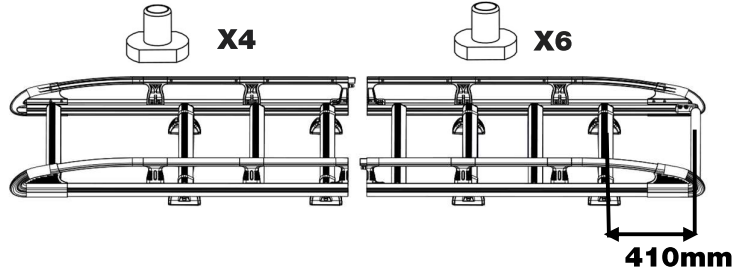
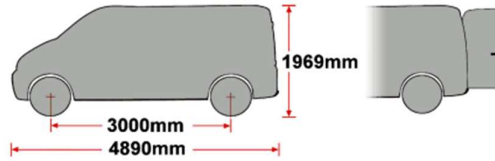
19.



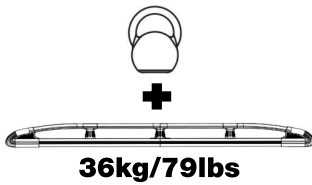
### K507- T5/T6/T6.1 Transporter L1, H1 Twin Doors



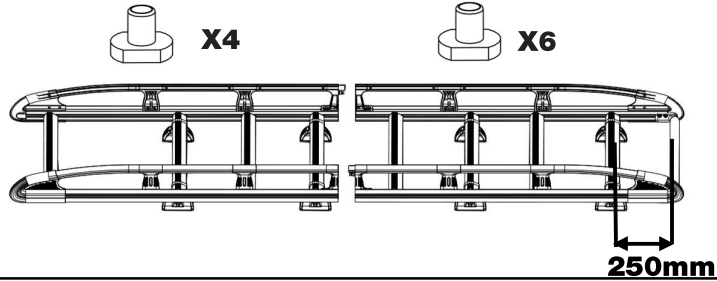
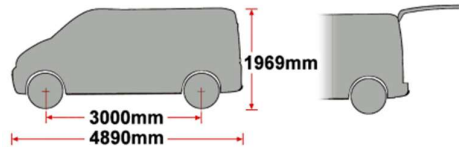
150kg Max



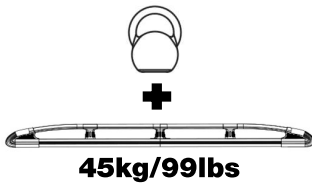
### K508- T5/T6/T6.1 Transporter L1, H1, Tailgate



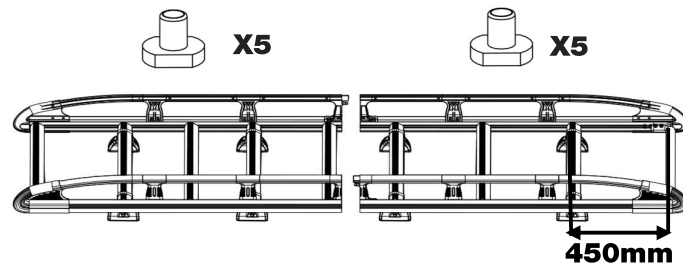
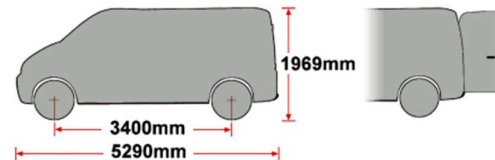
150kg Max



### K509- T5/T6/T6.1 Transporter L2, H1, Twin Doors

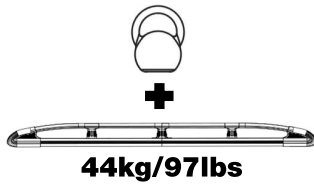


150kg Max

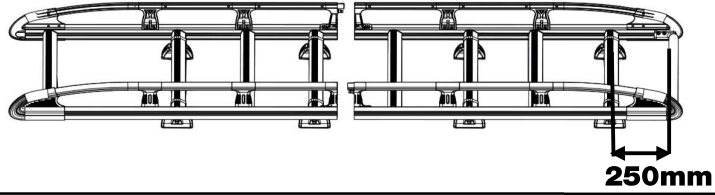
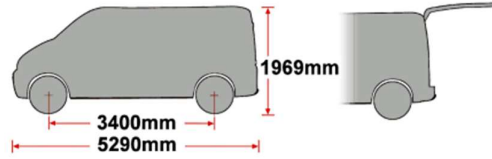




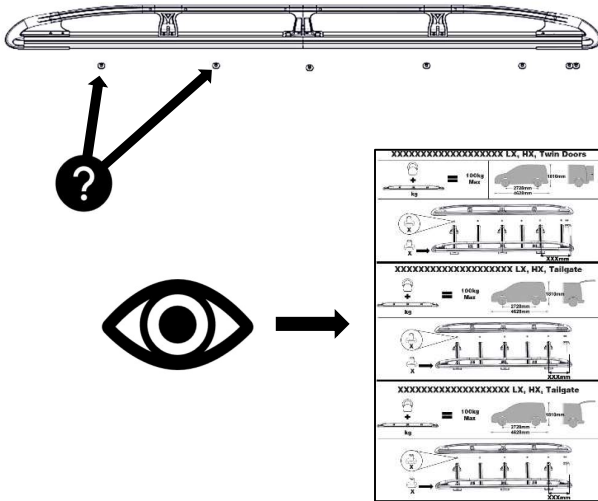
# K509- T5/T6/T6.1 Transporter L2, H1, Tailgate



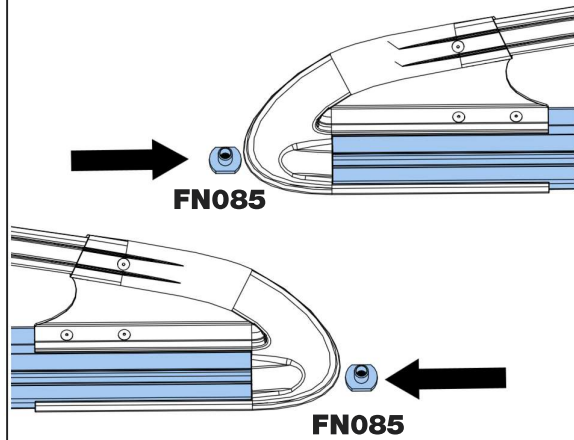
**150kg  
Max**



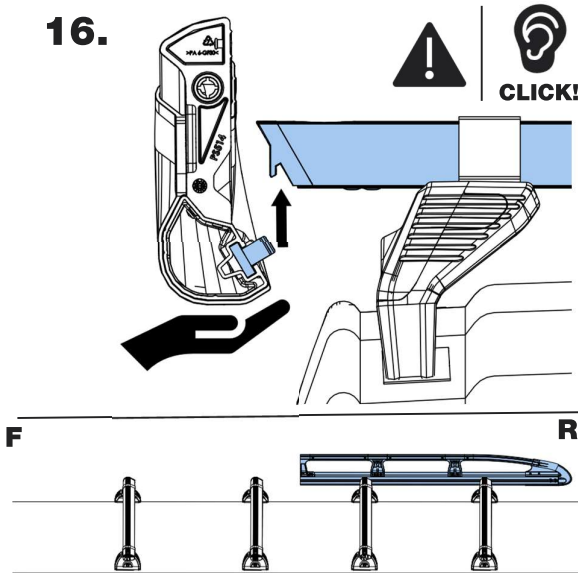
14.



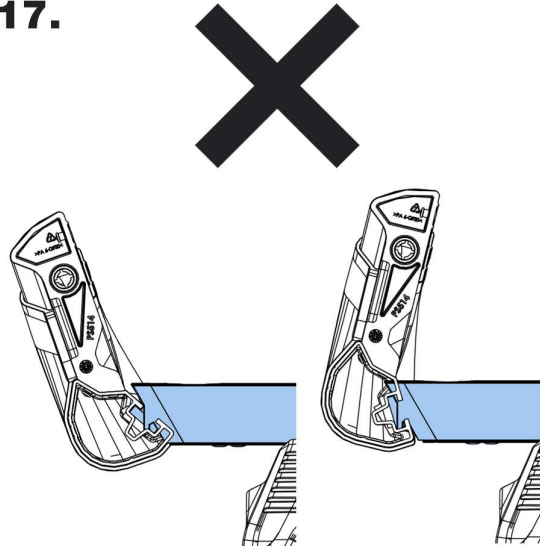
15.



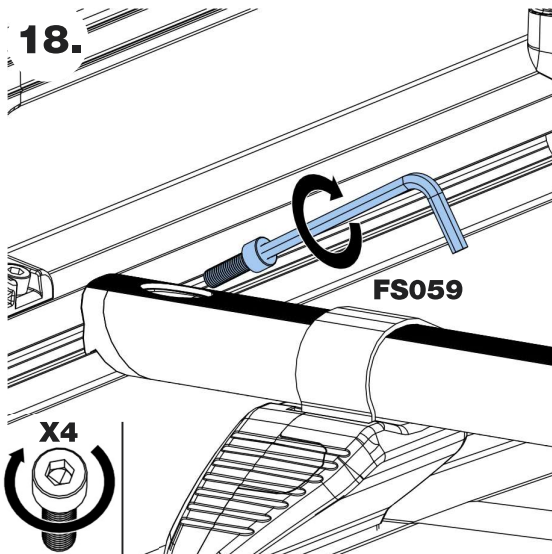
16.



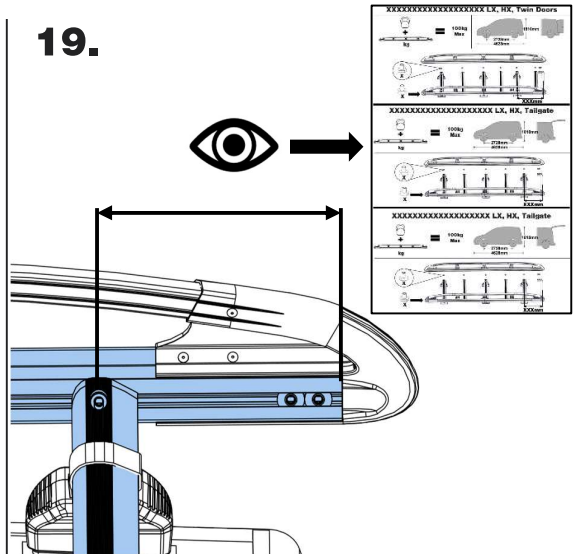
17.

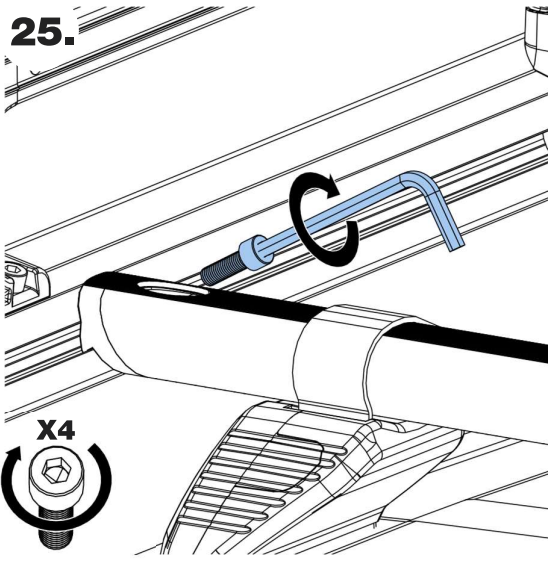
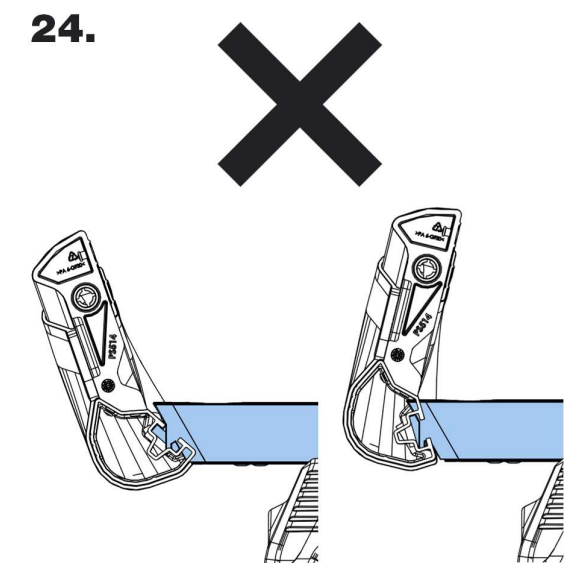
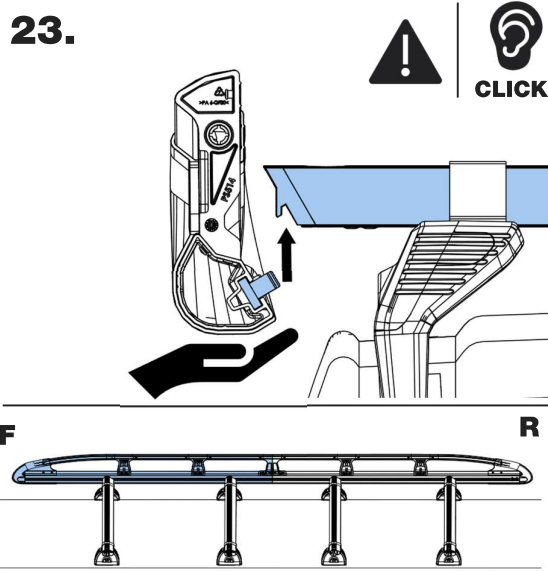
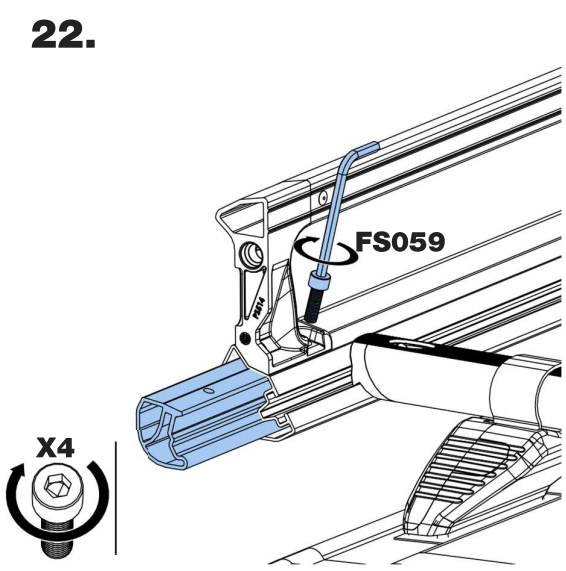
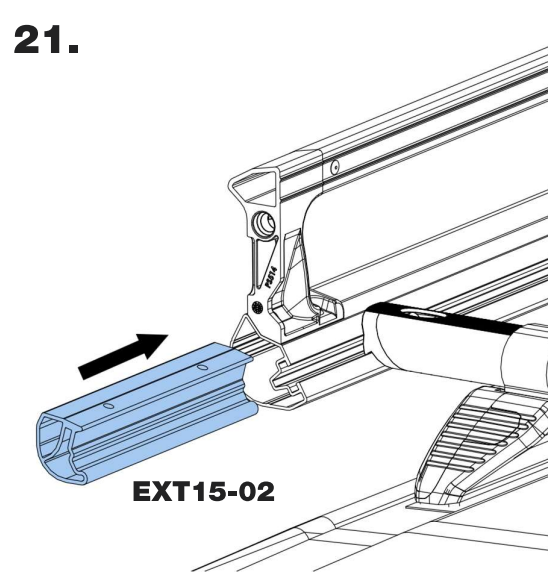
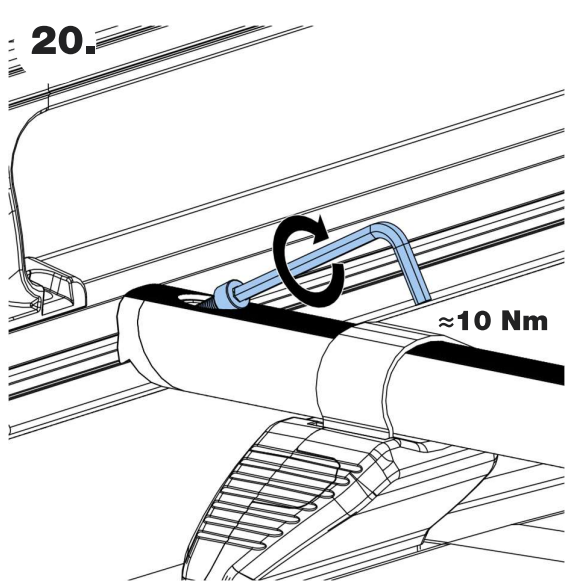


18.

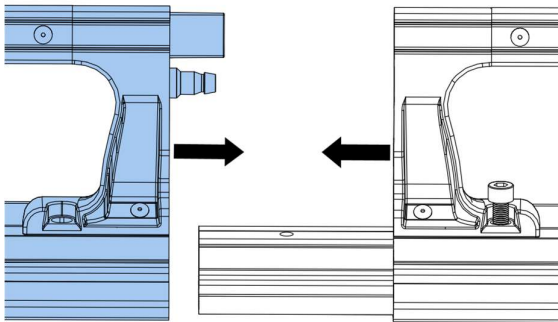


19.

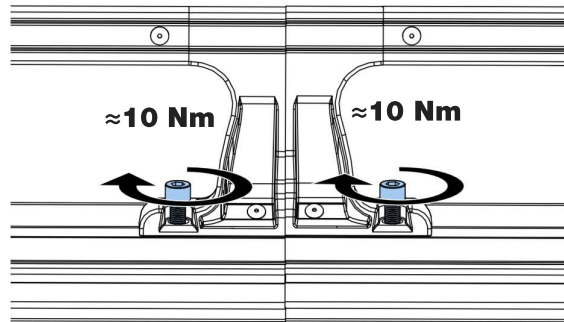




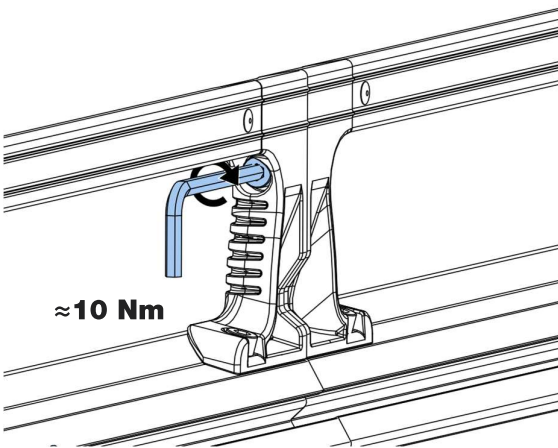
26.



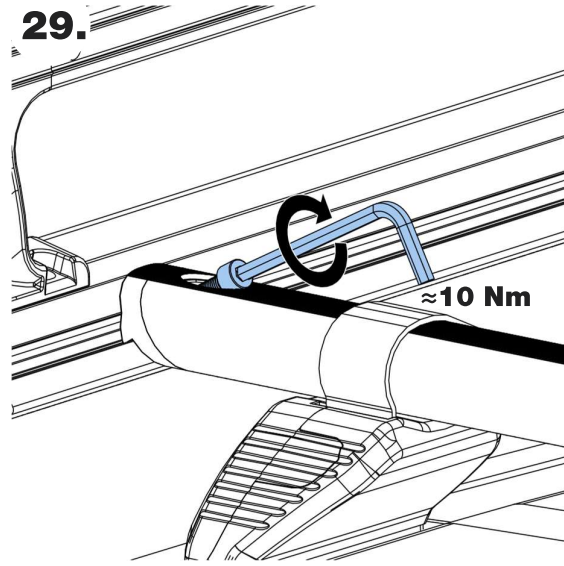
27.



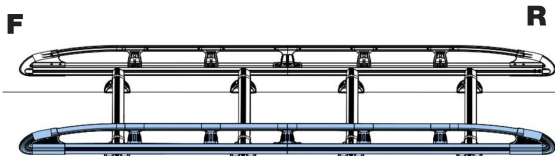
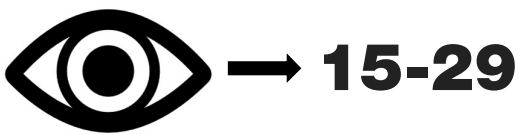
28.



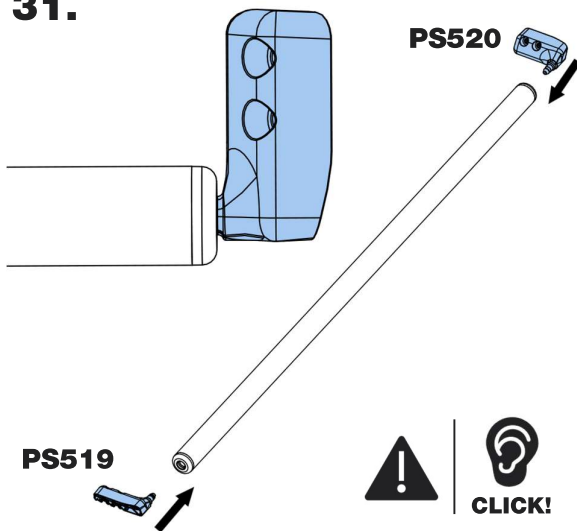
29.



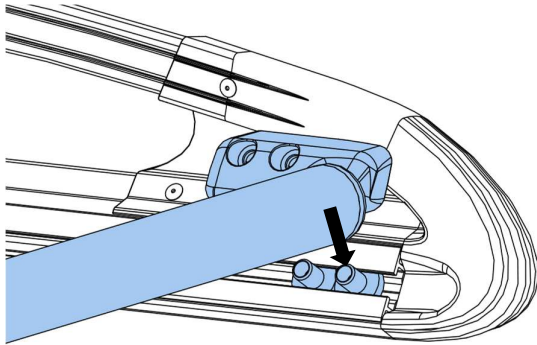
30.



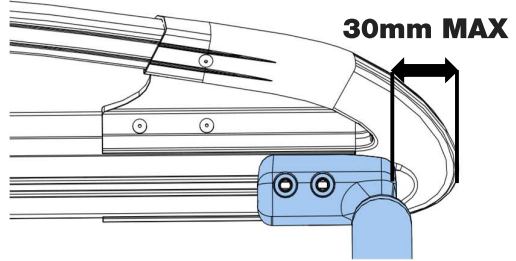
31.



32.

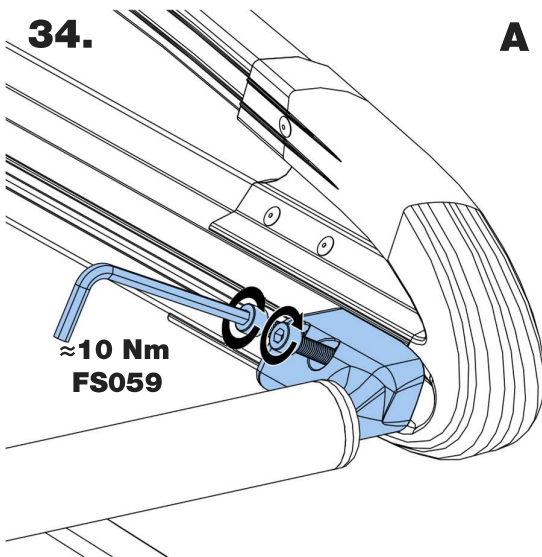


33.

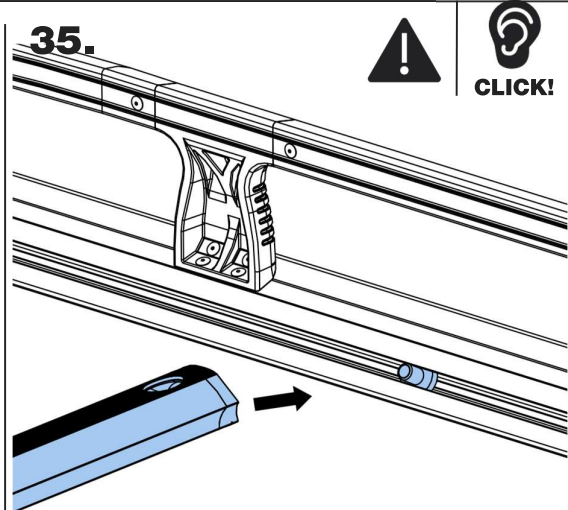


34.

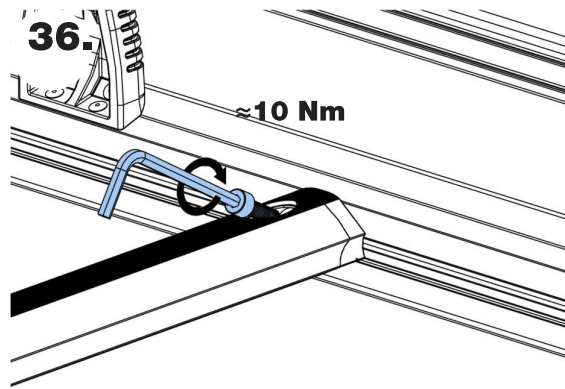
A



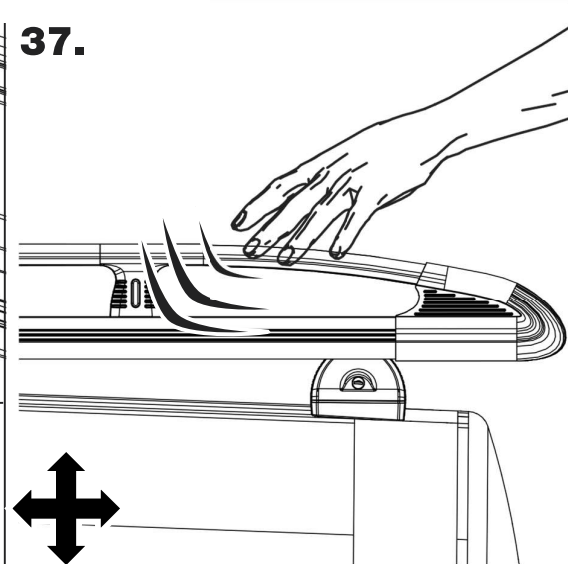
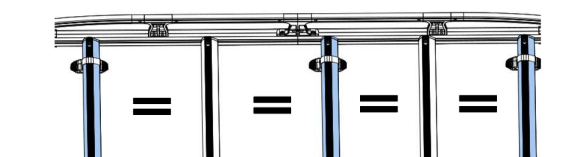
35.



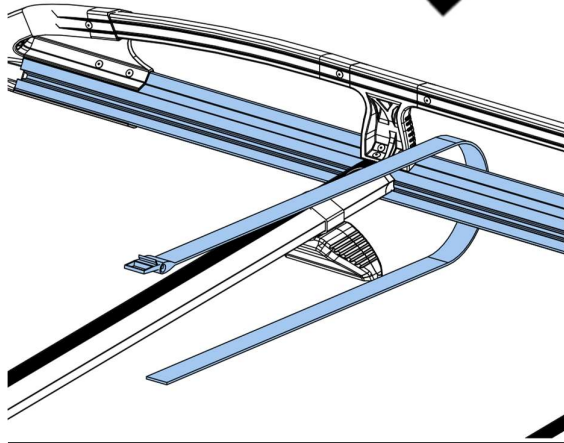
36.



37.



**38.**



**39.**

