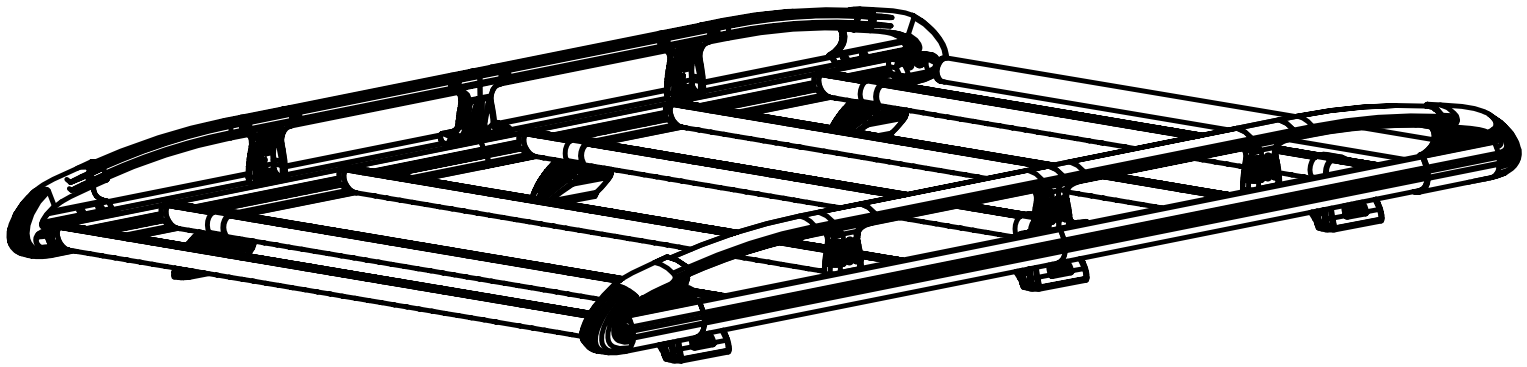


RA4KR

KammRack

Instructions

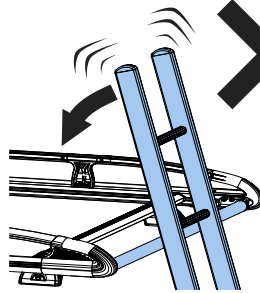
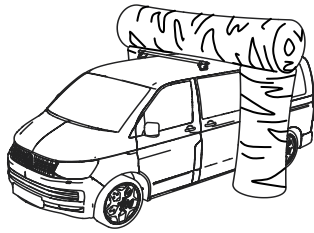
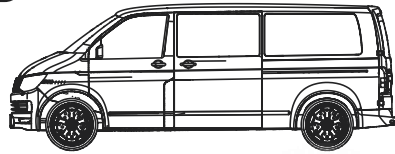


CITY CRASH (✓)

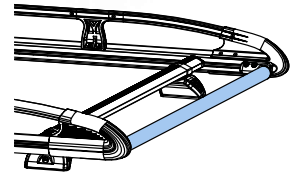
According to ISO/ PAS 11154:2006

RA4KR:

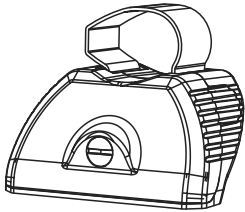
MERCEDES Vito 2003-



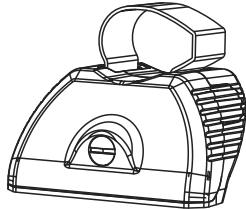
Max
50kg/110lbs



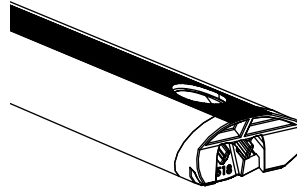
KammRack



SA397U x 4



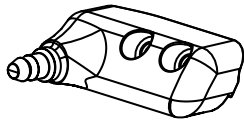
SA398U x 4



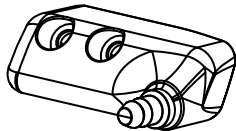
SA429



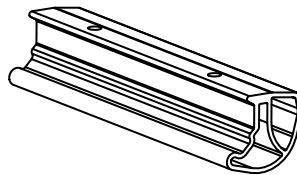
C04 x 8
optional upgrade



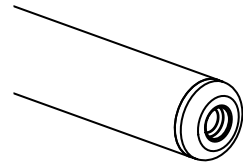
PS519 x 1



PS520 x 1

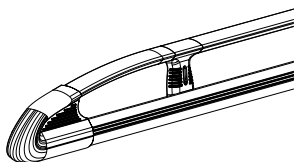


EXT15-02

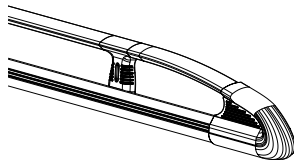


SA437 x 1

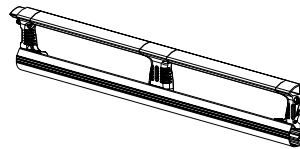
LHS x 2



RHS x 2

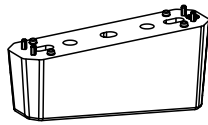


Centre x 2

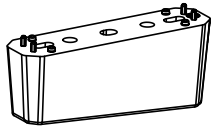


ASF x 1

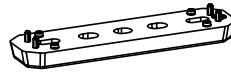
Fitting Kit



PS181 x 2



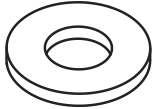
PS182 x 2



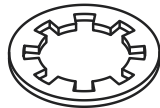
PS178 x 4



PS046 x 8



FW001 (M6) x 16



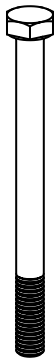
FW008 (M6) x 16



FT01 x 1



FT05 x 1



**FS102
(M6 x 75) x 2**



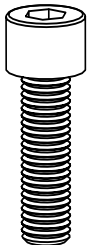
**FS145
(M6 x 70) x 2**



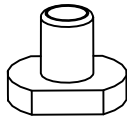
**FB009
(M6 x 65) x 4**



**FS039
(M6 x 30) x 8**

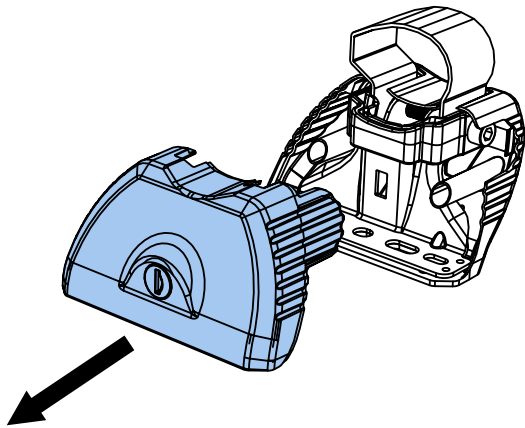


**FS018
(M8 x 25) x 20**

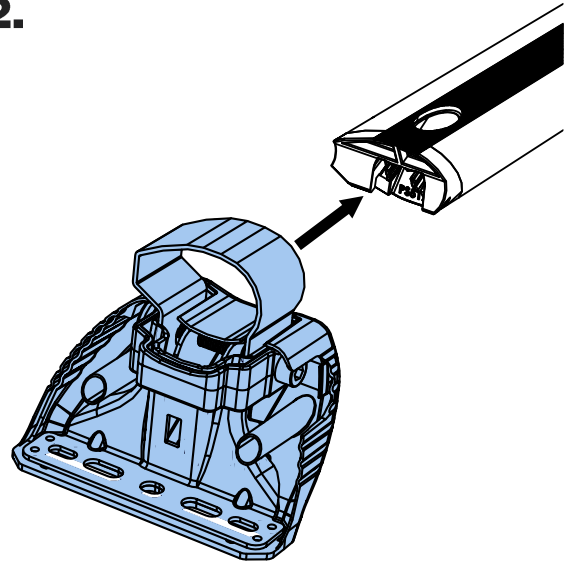


FN085 x 20

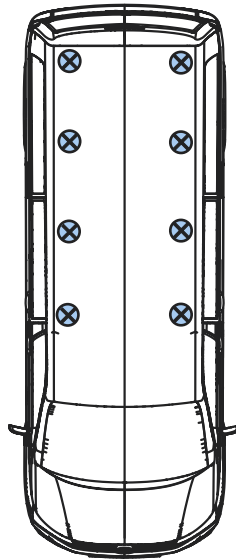
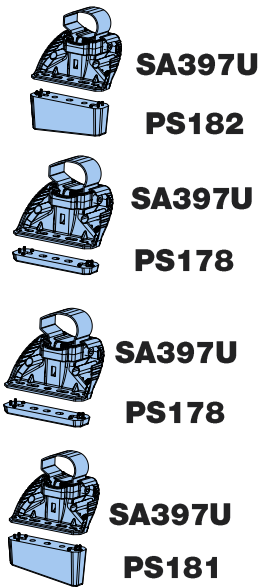
1.



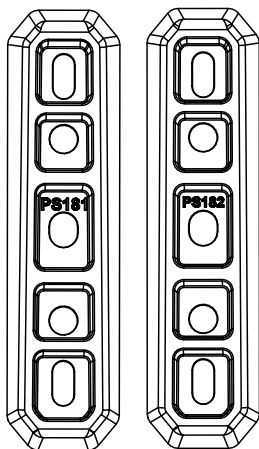
2.



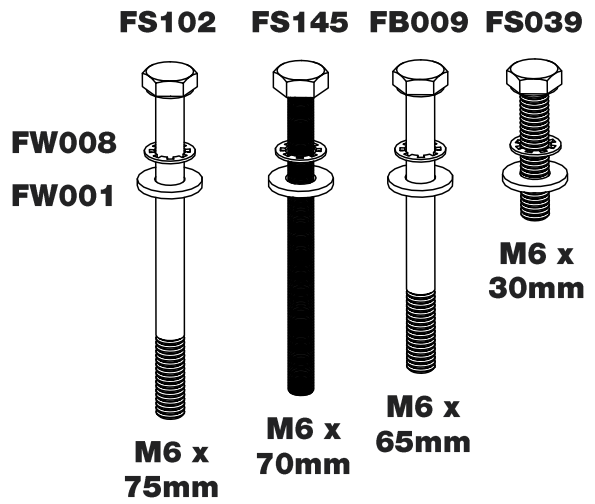
3.

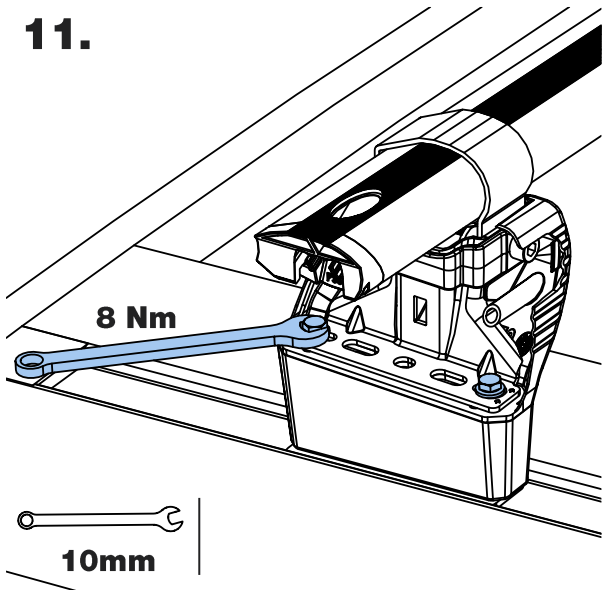
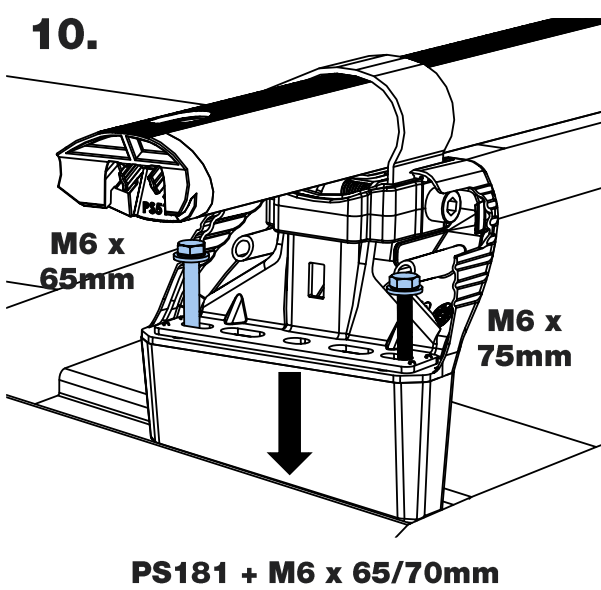
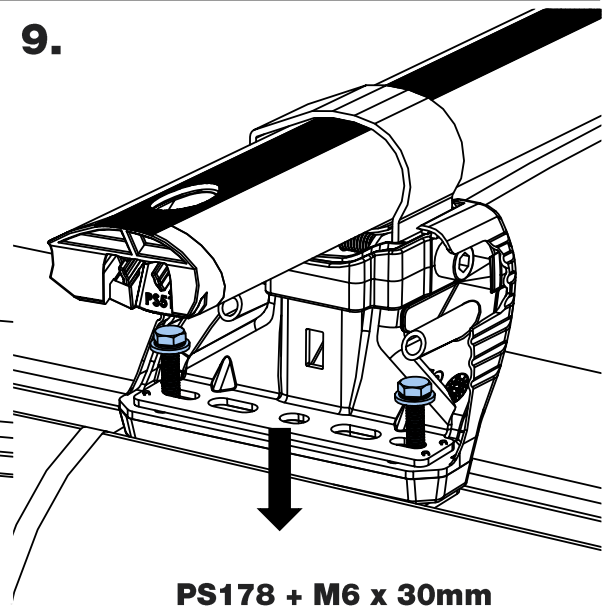
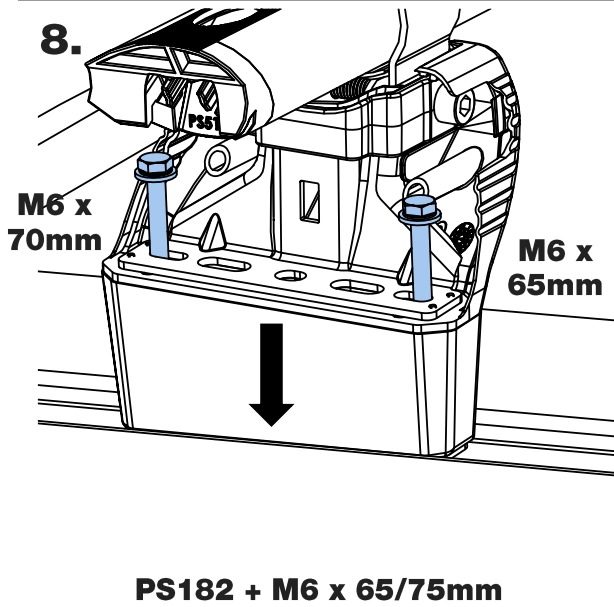
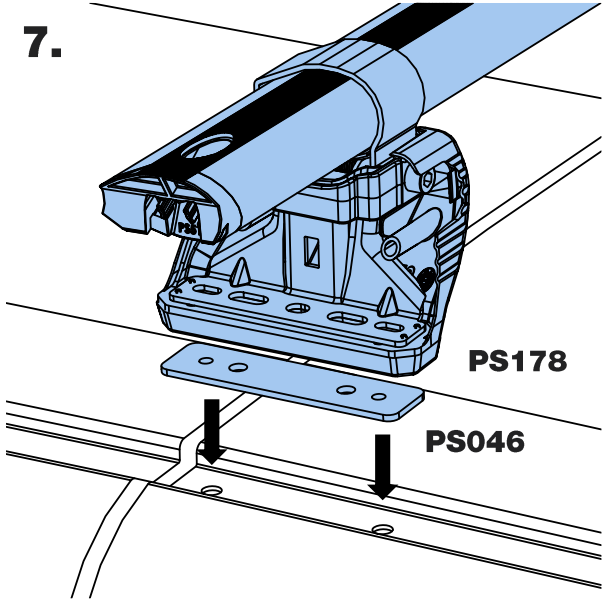
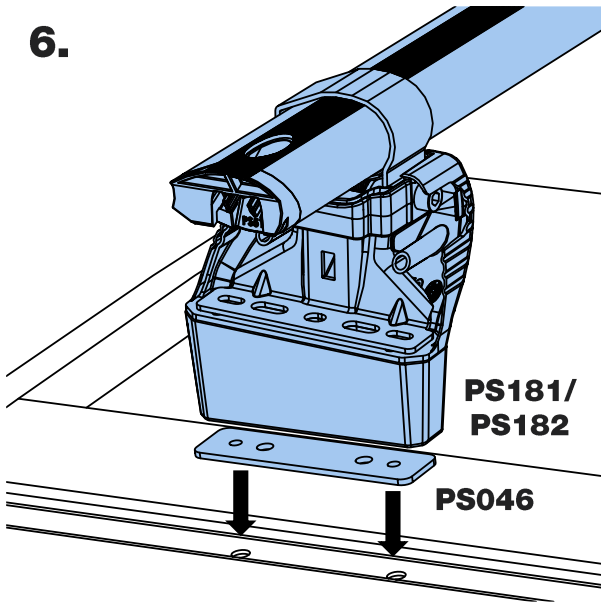


4.

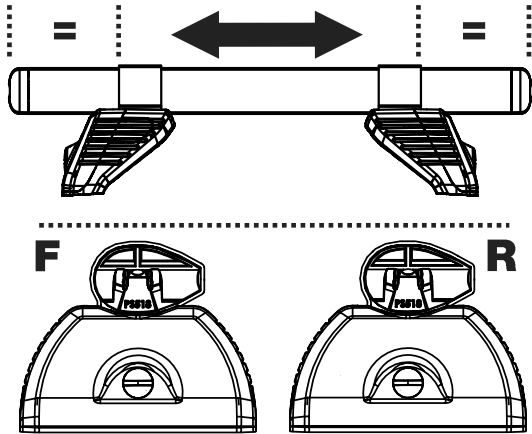


5.

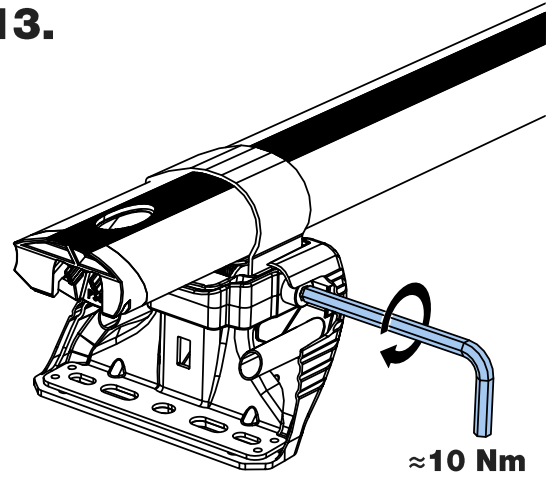




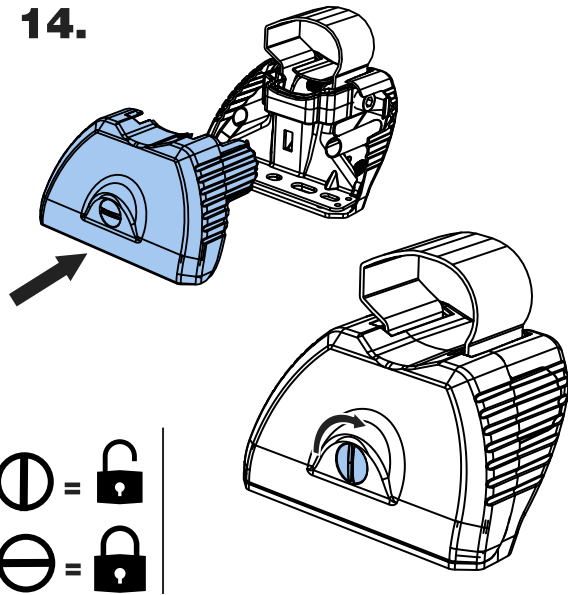
12.



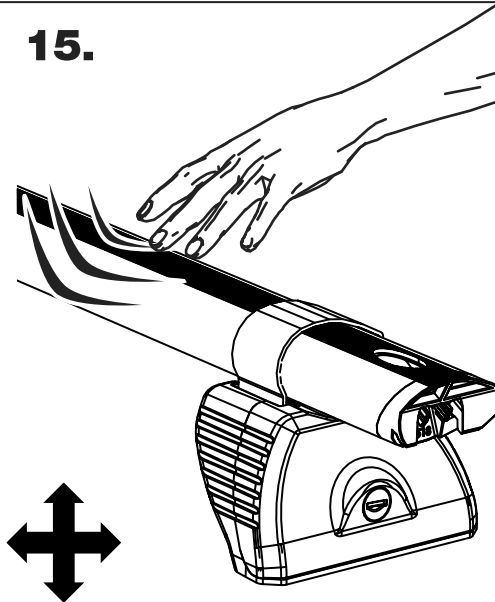
13.



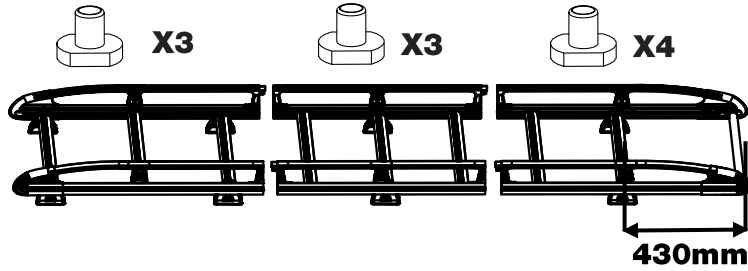
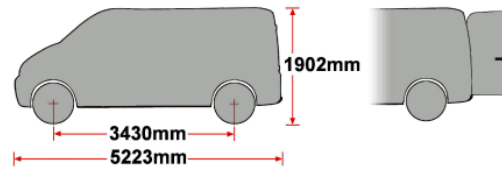
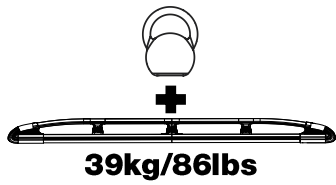
14.



15.

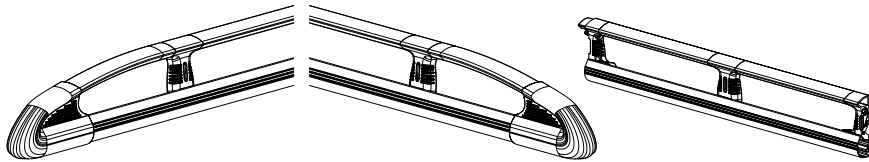


K515- Vito 2003-2015 L3, H1 Twin Doors

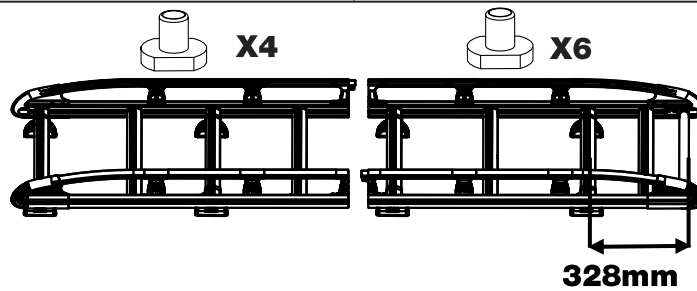
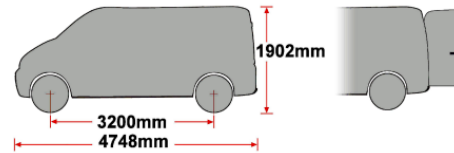
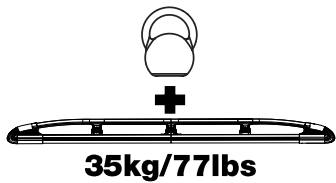


Steps 16-37, 54-63  

A

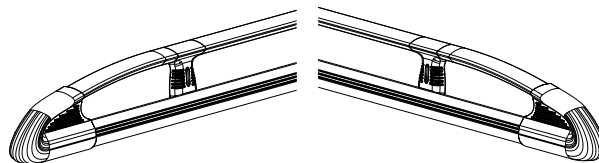


K511- Vito 2003-2015 L1, H1, Twin Doors

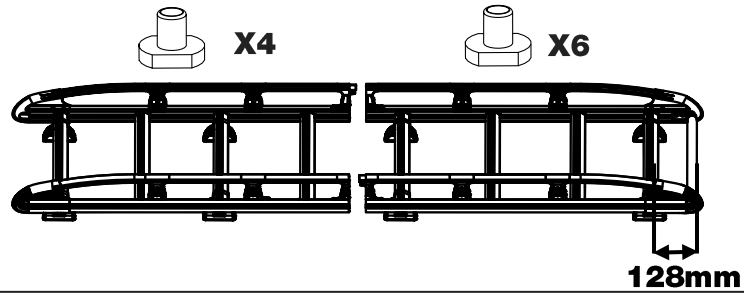
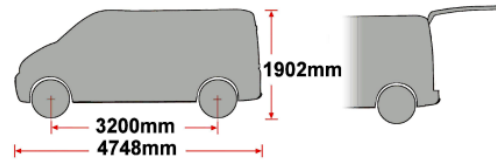
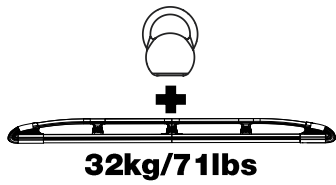


Steps 38-63  

B

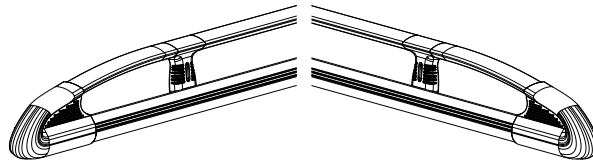


K512- Vito 2003-2015 L1, H1, Tailgate

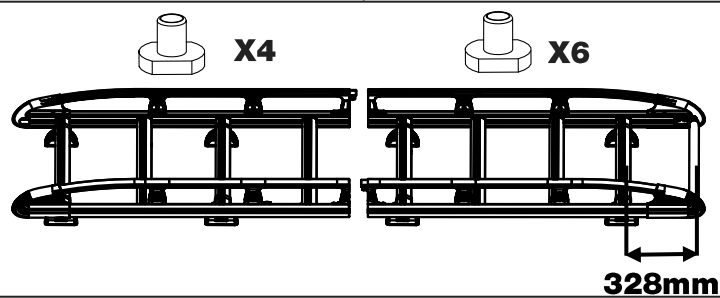
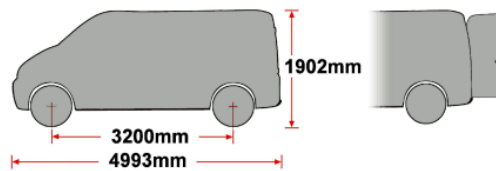
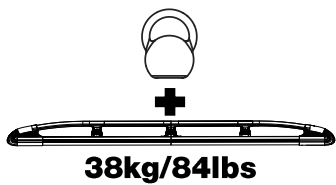


Steps 38-63  

B

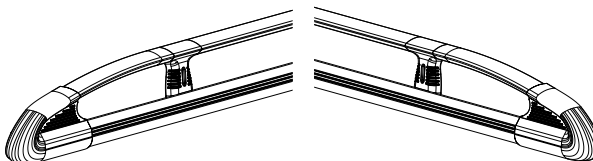


K513- Vito 2003-2015 L2, H1, Twin Doors

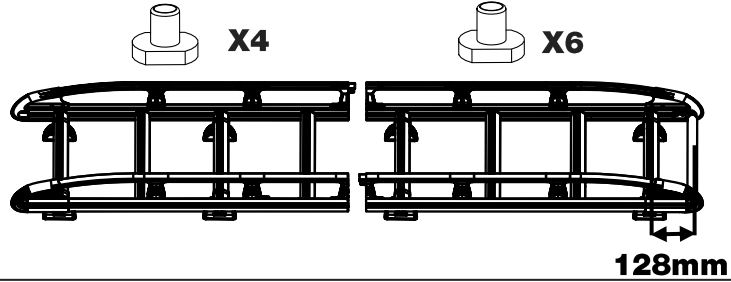
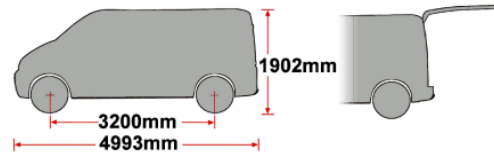
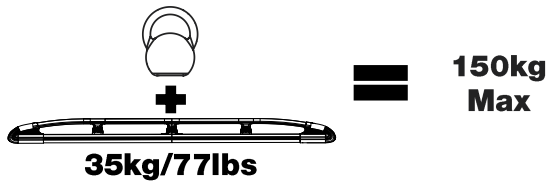


Steps 38-63  

B



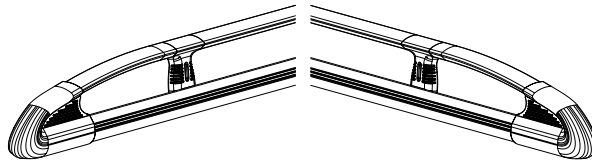
K511- Vito 2003-2015 L2, H1, Tailgate



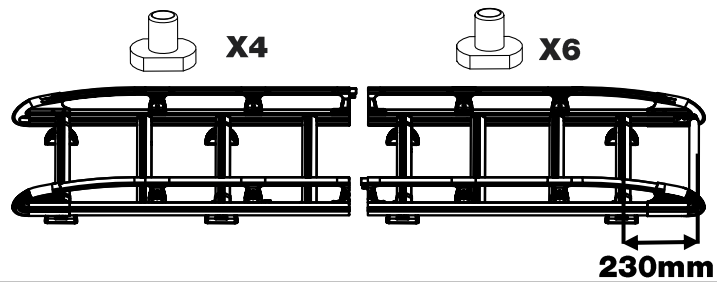
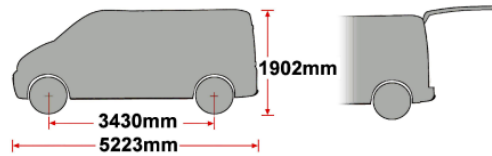
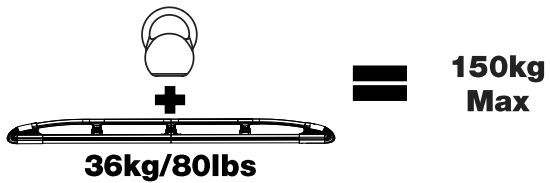
Steps 38-63



B



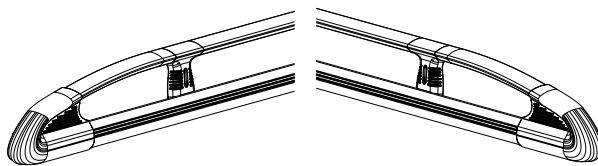
K513- Vito 2003-2015 L3, H1, Tailgate



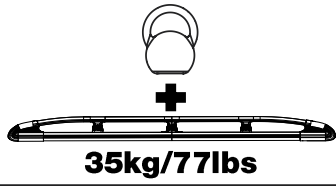
Steps 38-63



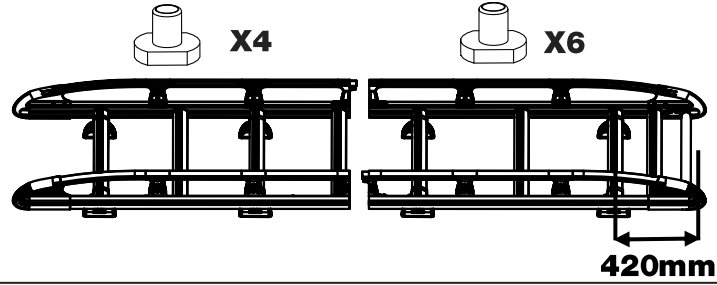
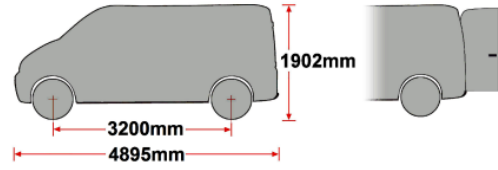
B



K513- Vito 2015- L1, H1, Twin Doors



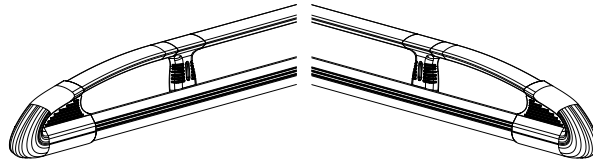
**150kg
Max**



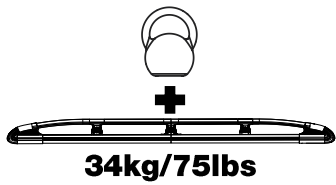
Steps 38-63



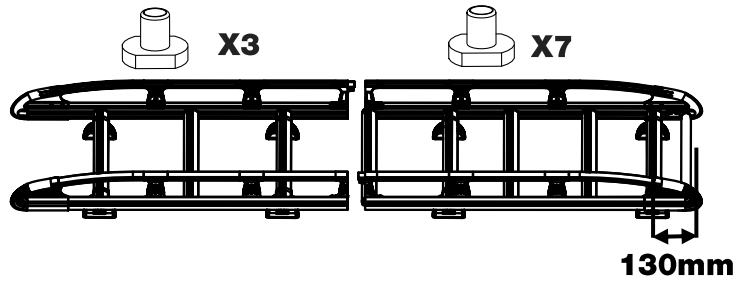
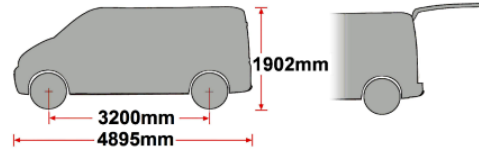
B



K512- Vito 2015- L1, H1, Tailgate



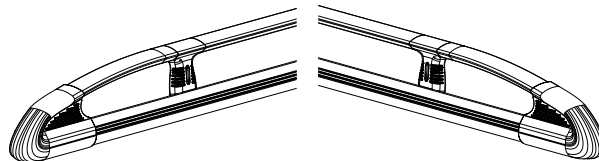
**150kg
Max**



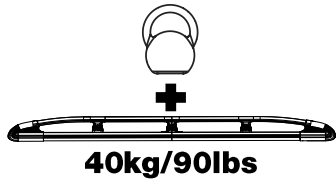
Steps 38-63



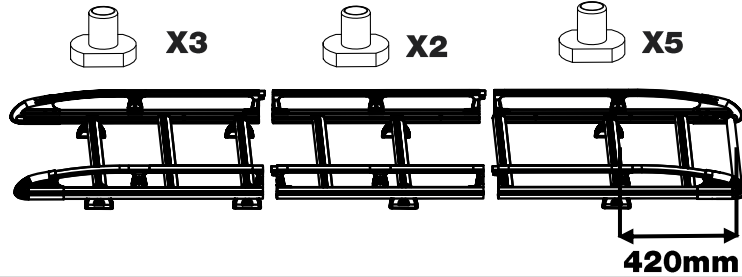
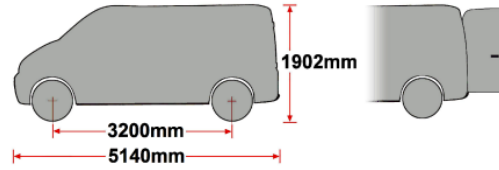
B



K515- Vito 2015- L2, H1, Twin Doors

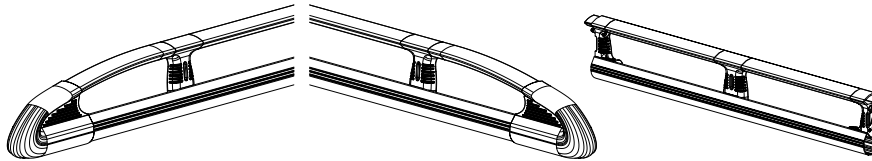


**150kg
Max**

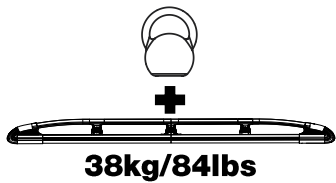


Steps 16-37, 54-63  

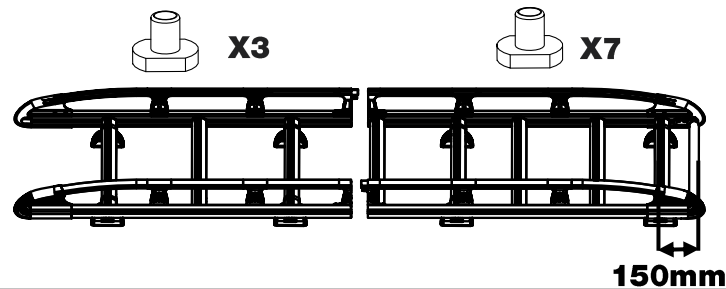
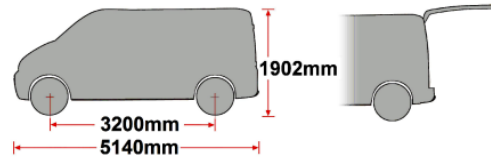
A



K511- Vito 2015- L2, H1, Tailgate

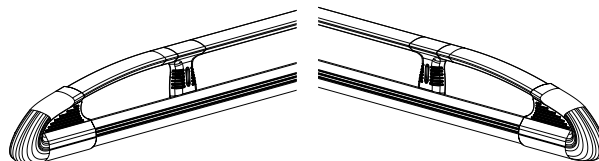


**150kg
Max**

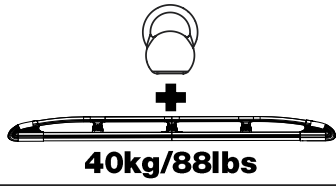


Steps 38-63  

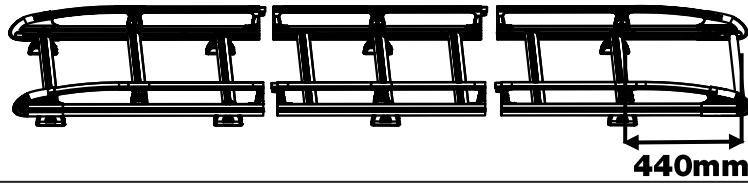
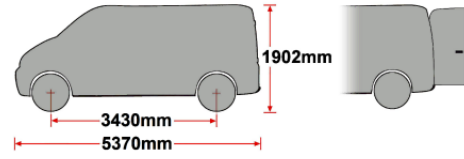
B





K515- Vito 2015- L3, H1, Twin Doors

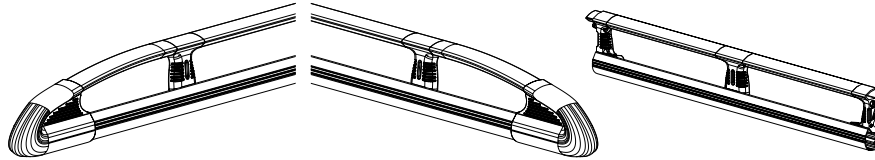


150kg
Max

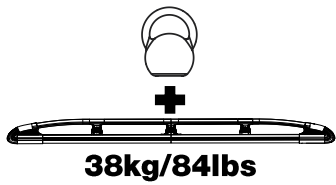


Steps 16-37, 54-63  

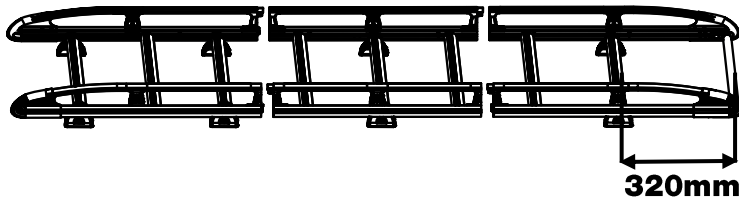
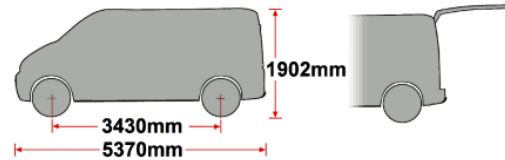
A



K515- Vito 2015- L3, H1, Tailgate

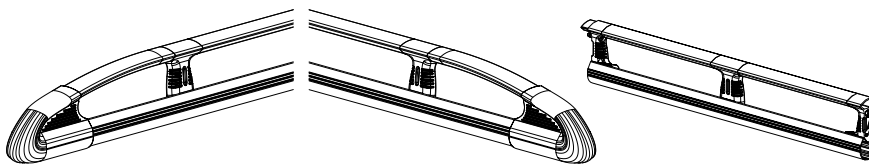


150kg
Max

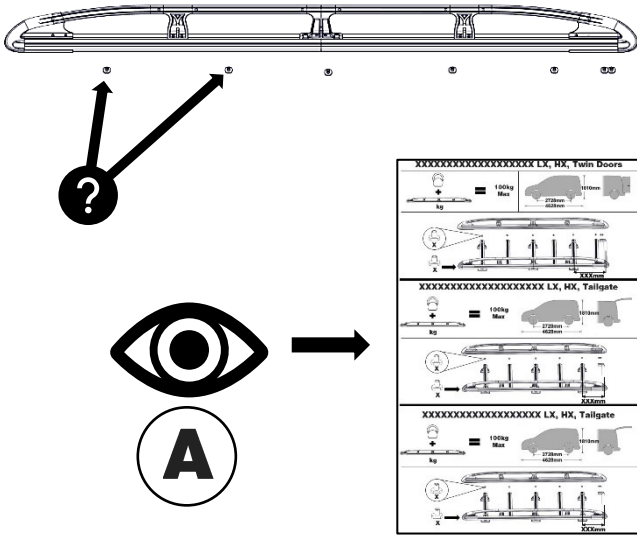


Steps 16-37, 54-63  

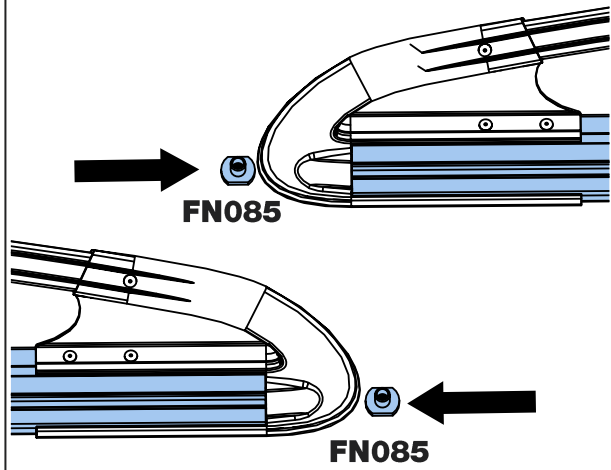
A



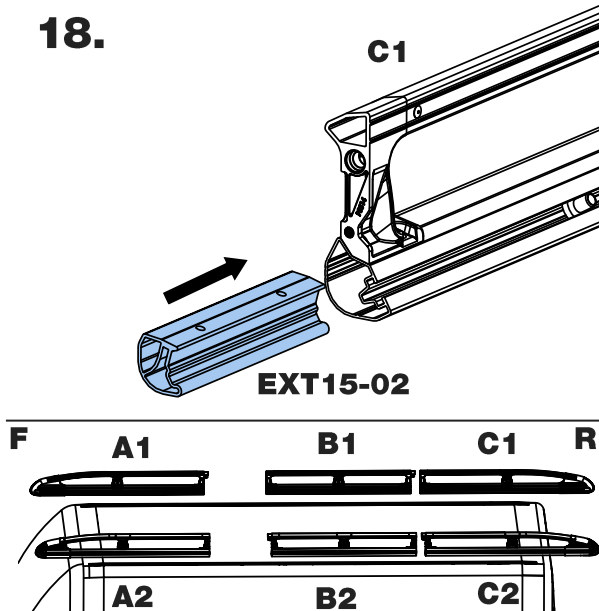
16.



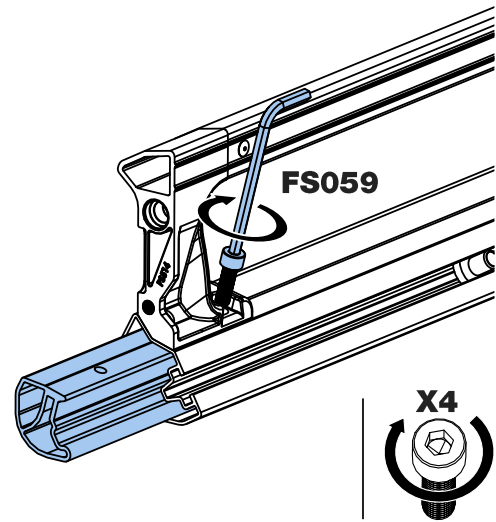
17.



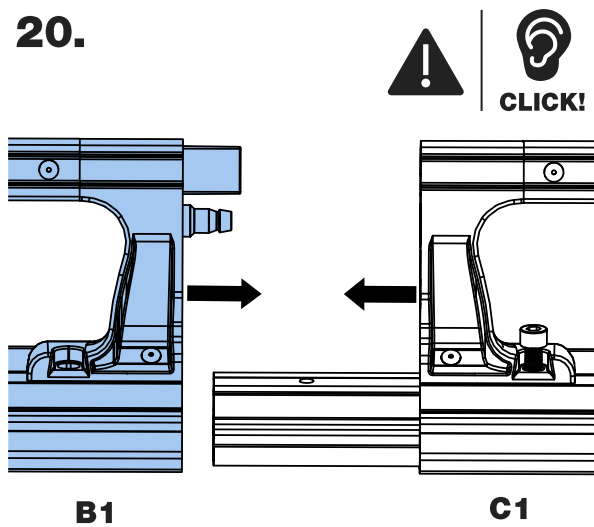
18.



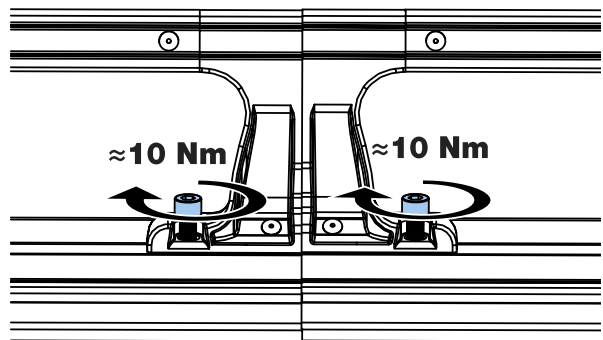
19.



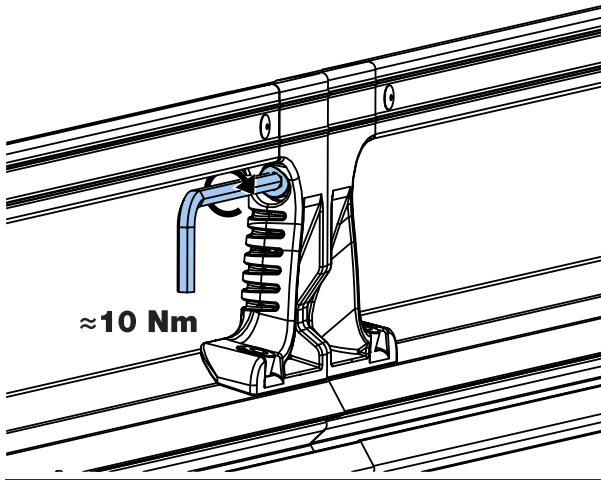
20.



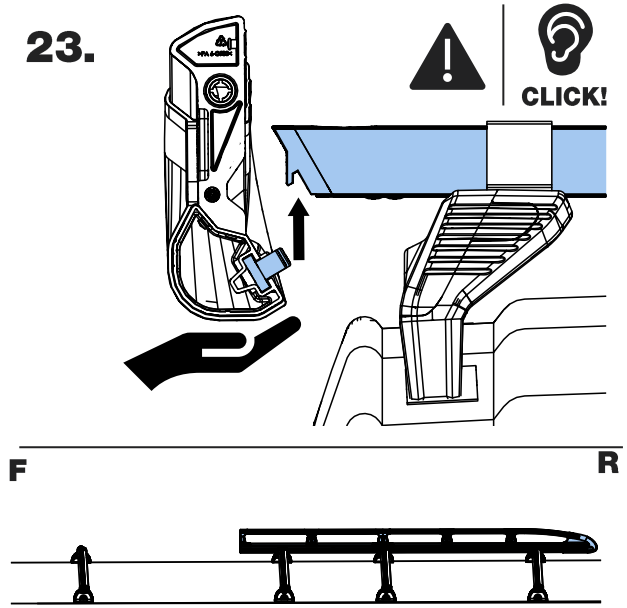
21.



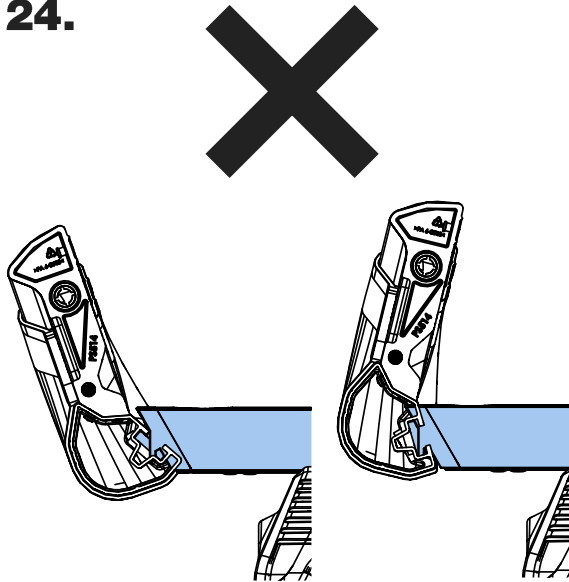
22.



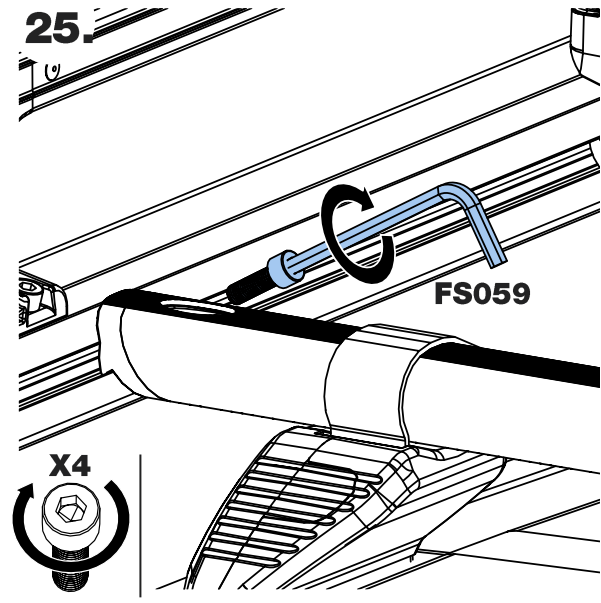
23.



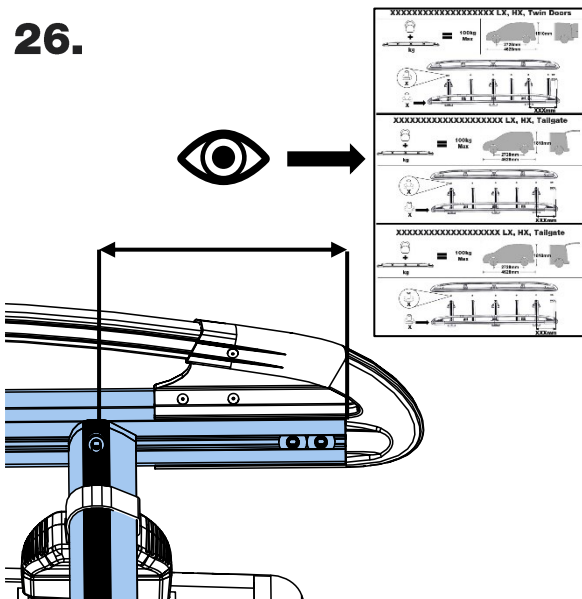
24.



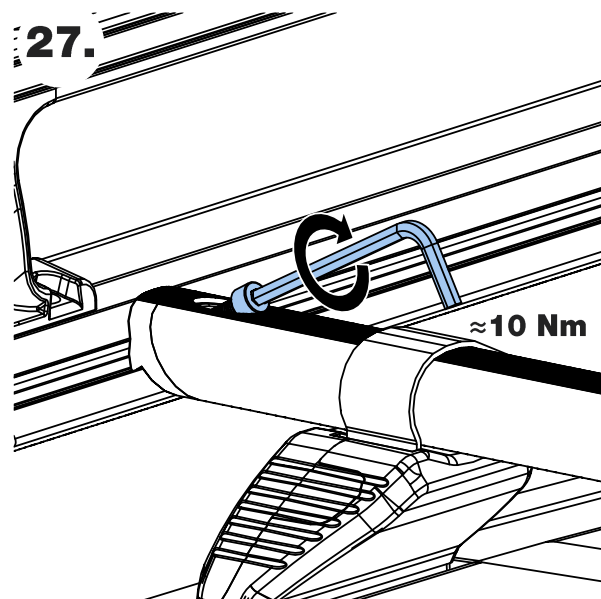
25.



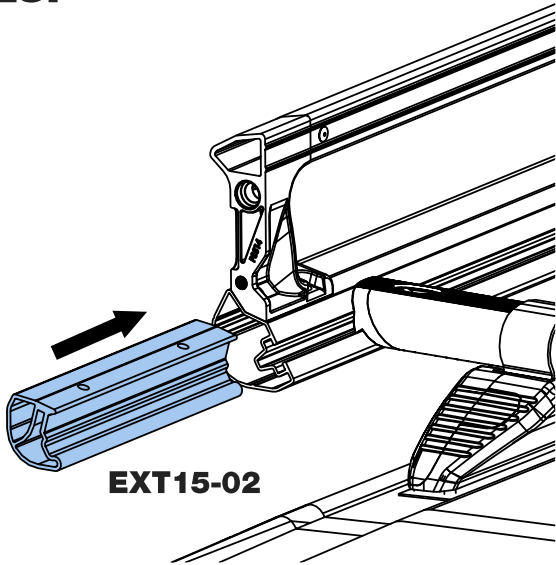
26.



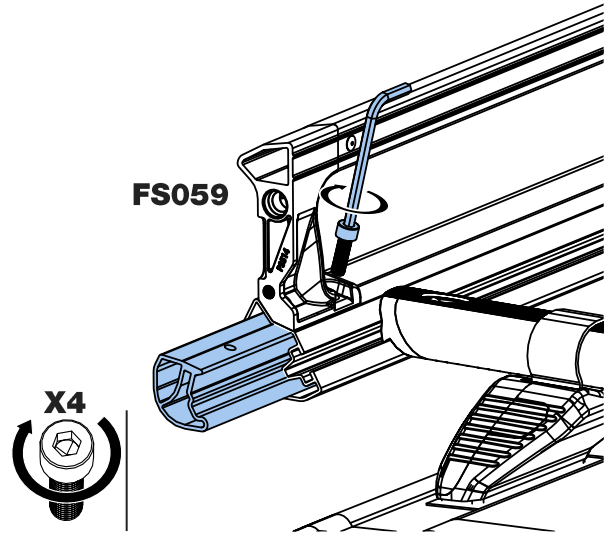
27.



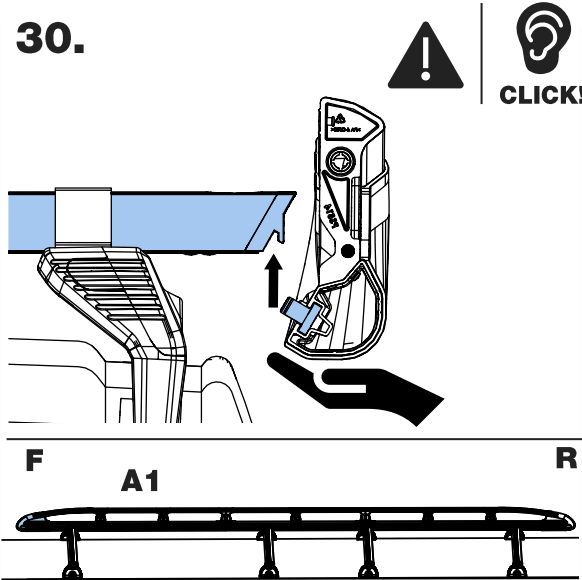
28.



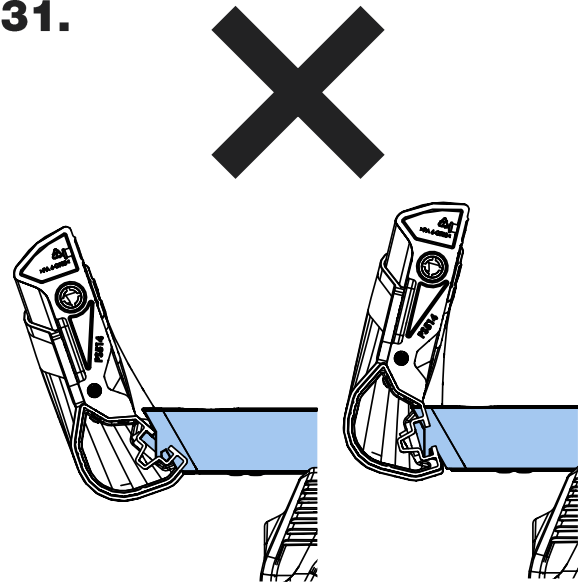
29.



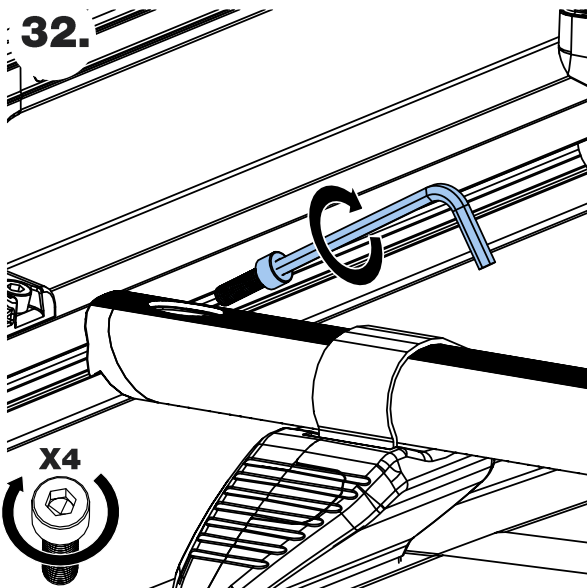
30.



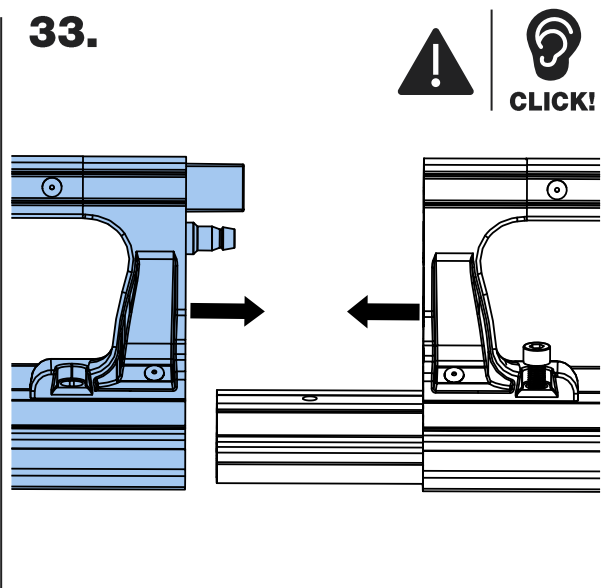
31.



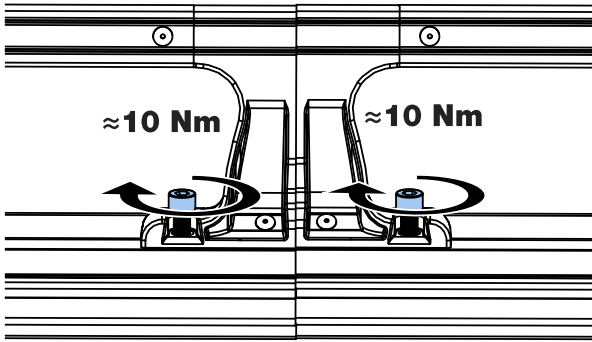
32.



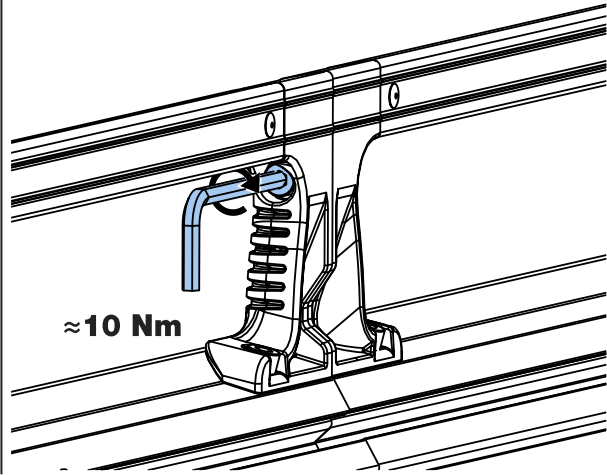
33.



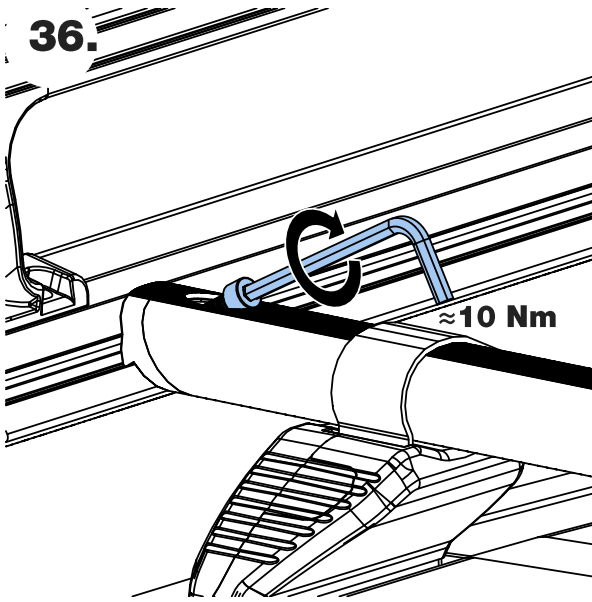
34.



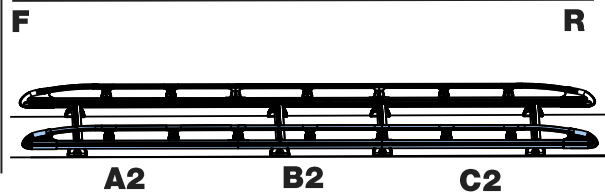
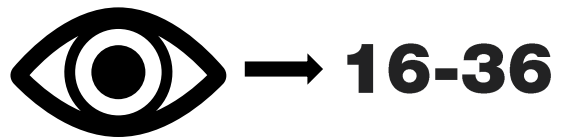
35.



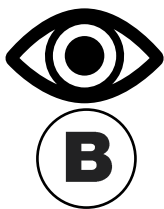
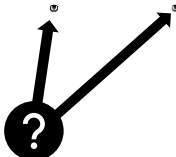
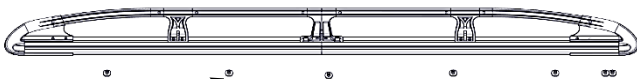
36.



37.

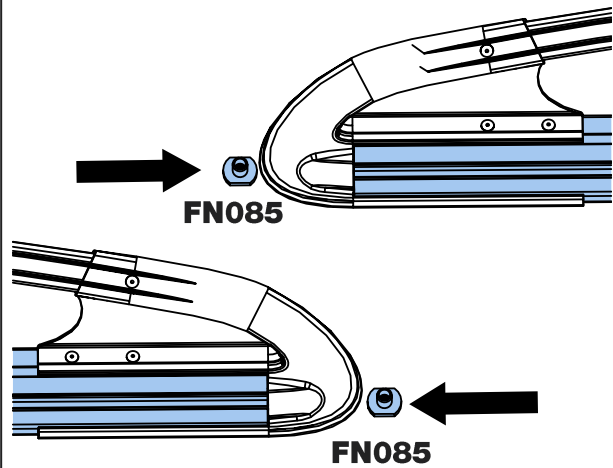


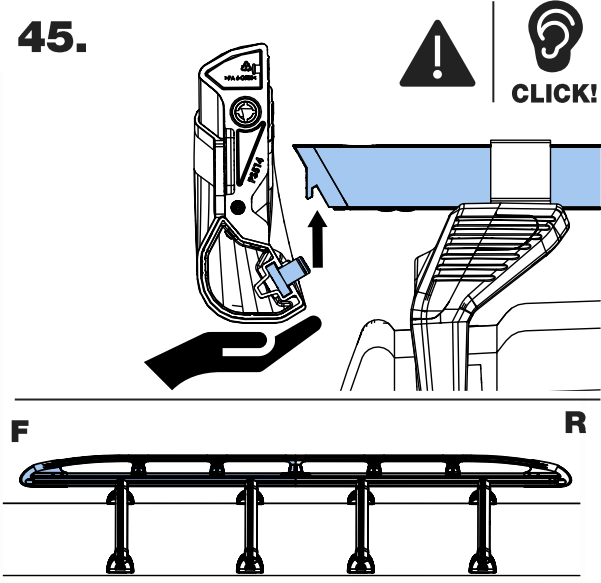
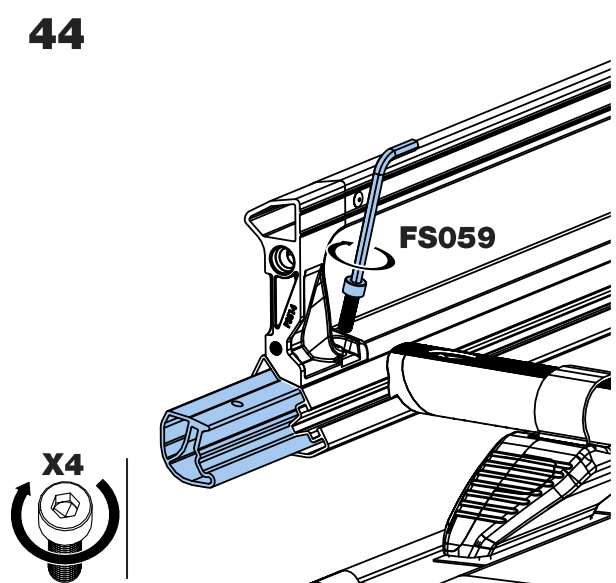
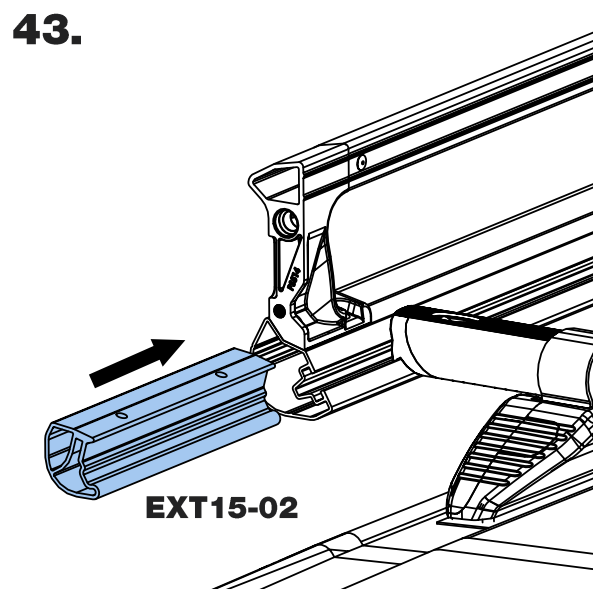
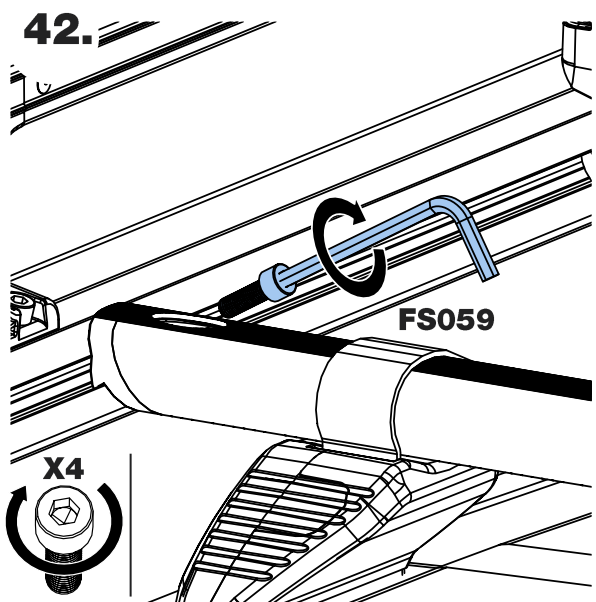
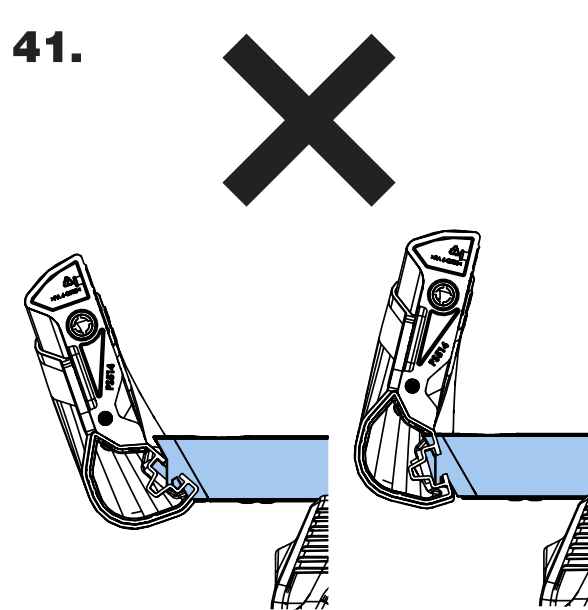
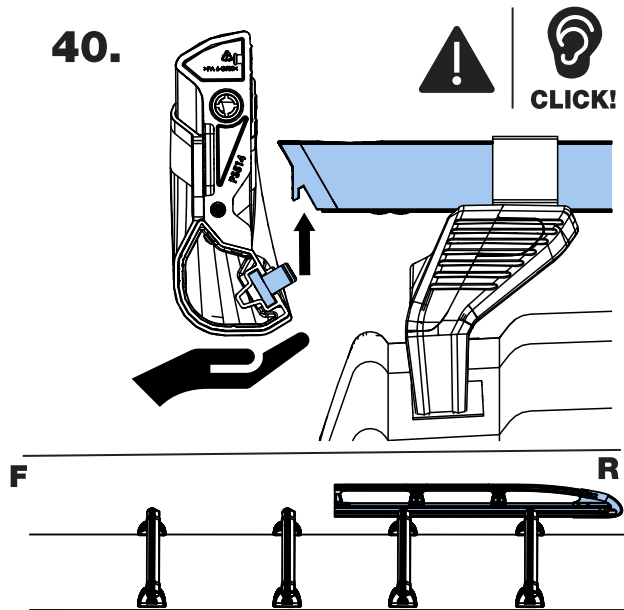
38.



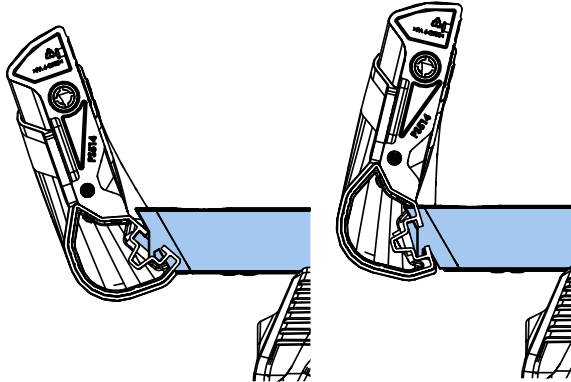
XXXXXXXXXXXXXXXXXXXXXXXXXXXX LX, HX, Twin Doors	
	100kg Max 270mm
XXXXXXXXXXXXXXXXXXXXXXXXXXXX LX, HX, Tailgate	
	100kg Max 270mm
XXXXXXXXXXXXXXXXXXXXXXXXXXXX LX, HX, Tailgate	
	100kg Max 270mm

39.

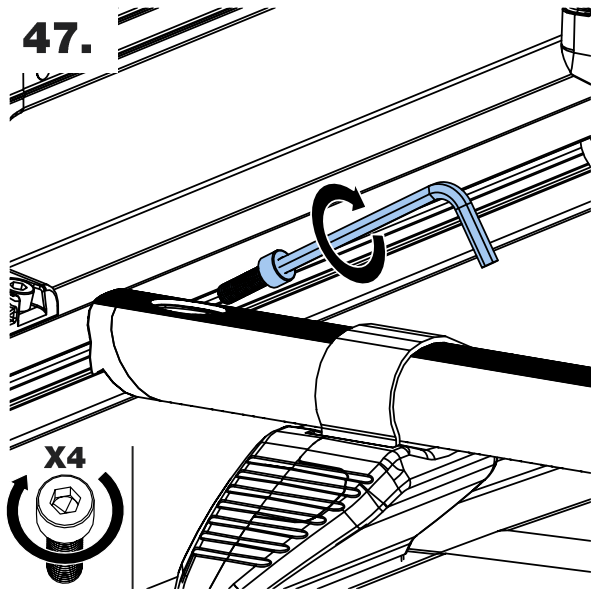




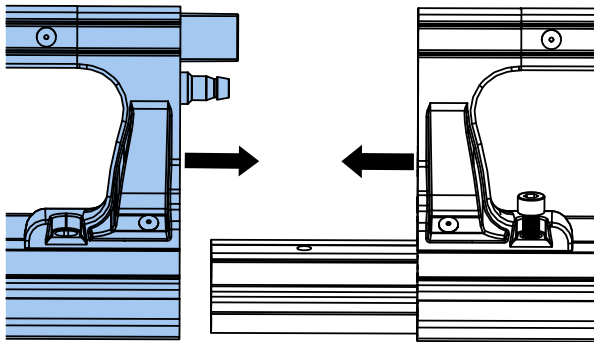
46.



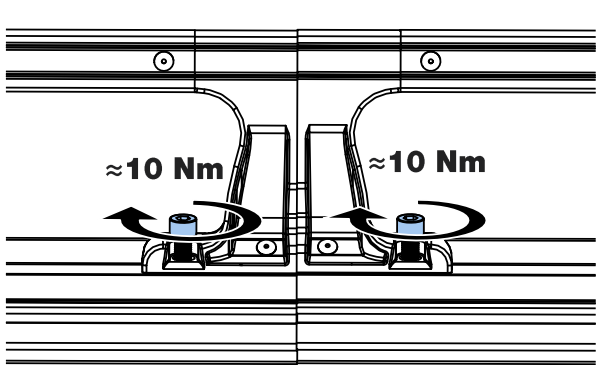
47.



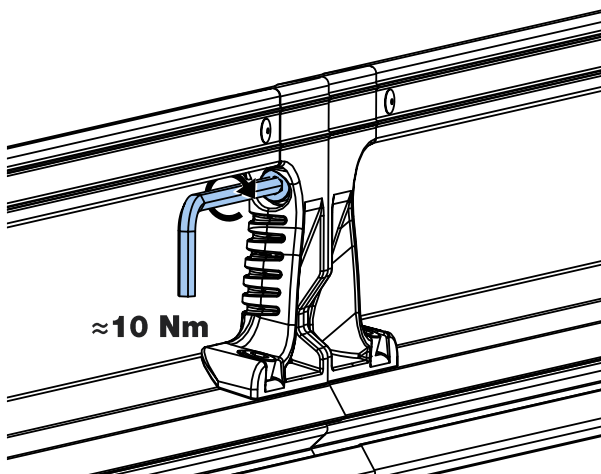
48.



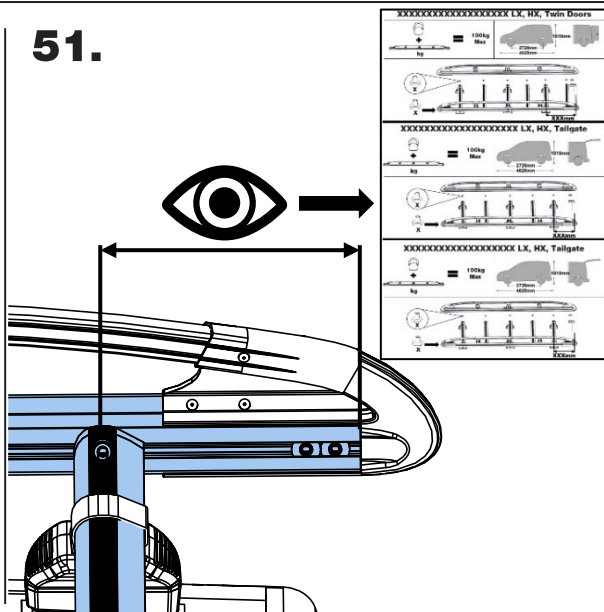
49.



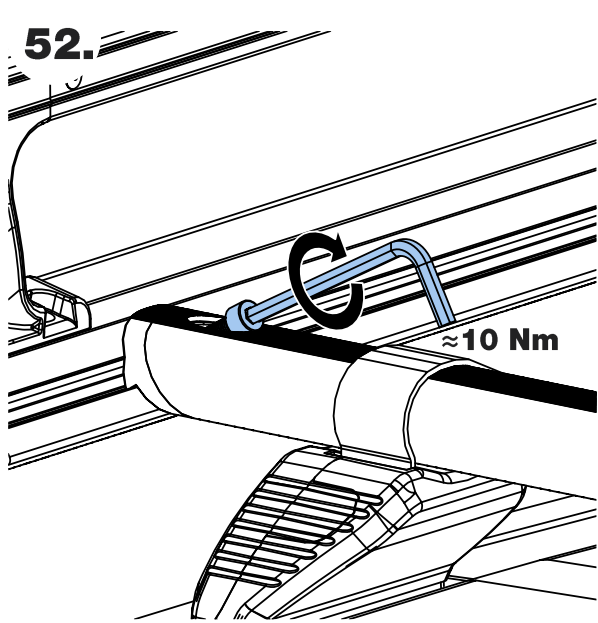
50.



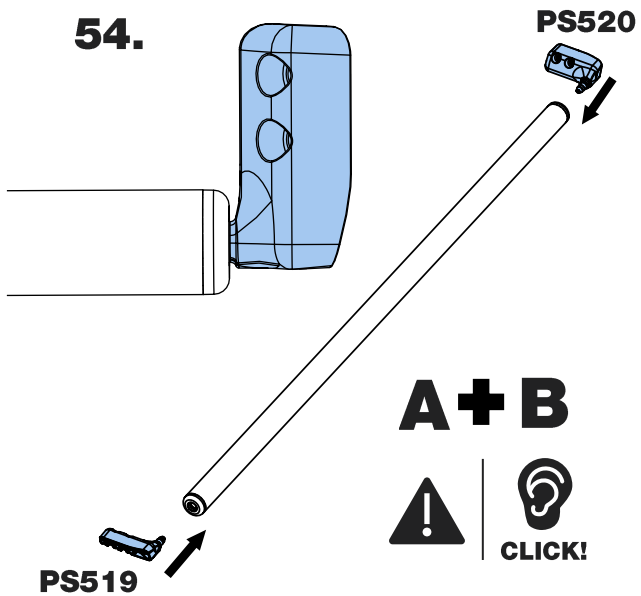
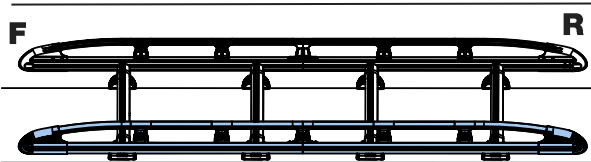
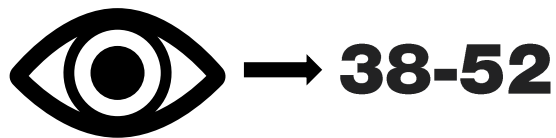
51.



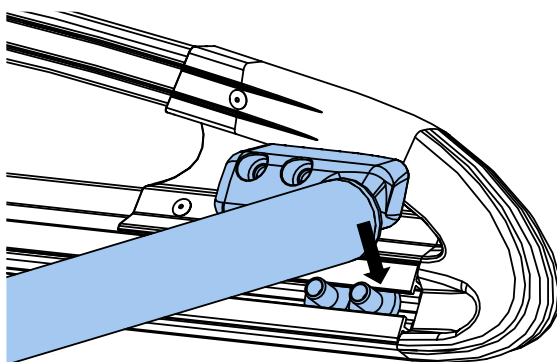
XXXXXXXXXXXXXXXXXXXXXXXXXXXX LX, HK, Yulin Doors	100kg Max	10 Nm
XXXXXXXXXXXXXXXXXXXXXXXXXXXX LX, HK, Tailgate	100kg Max	10 Nm
XXXXXXXXXXXXXXXXXXXXXXXXXXXX LX, HK, Tailgate	100kg Max	10 Nm
XXXXXXXXXXXXXXXXXXXXXXXXXXXX LX, HK, Tailgate	100kg Max	10 Nm



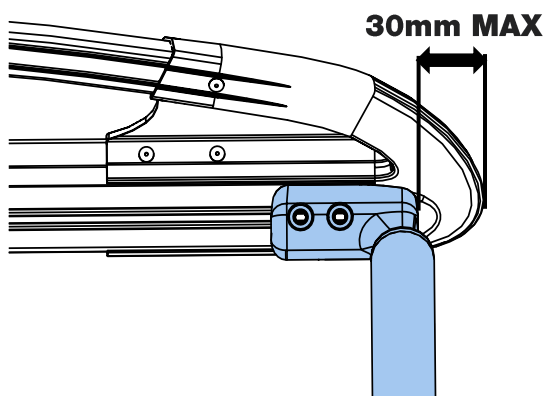
53.



55.



56.



57.

