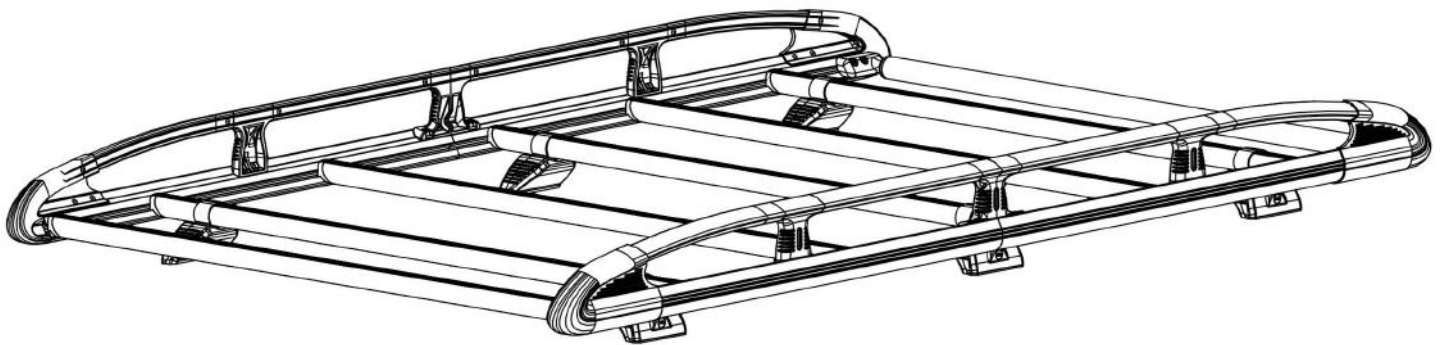


# IA3KR

# KammRack

## Instructions

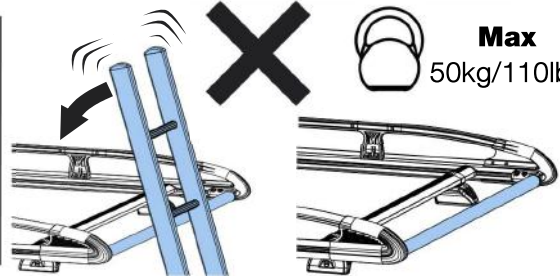
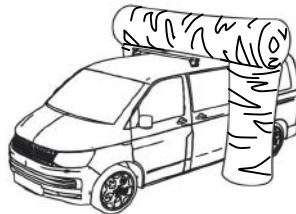
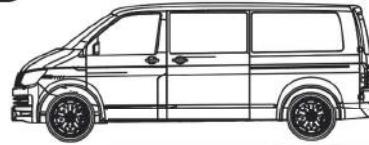


**CITY CRASH** (✓)

According to ISO/ PAS 11154:2006

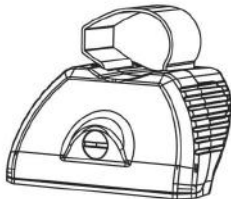
**IA3KR:**

**CITROEN** Relay, 2006 – Onwards  
**PEUGEOT** Boxer, 2006 – Onwards  
**FIAT** Ducato, 2006 – Onwards  
**VAUXHALL** Movano 2020- Onwards

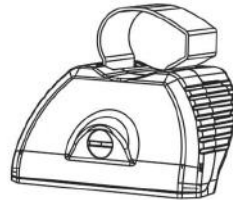


**Max**  
50kg/110lbs

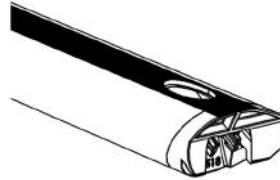
**KammRack**



**SA397U x 3**



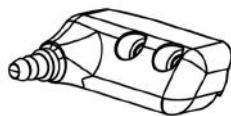
**SA398U x 3**



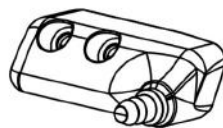
**SA431**



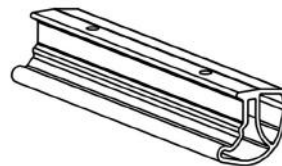
**C04 x 6**  
\*optional upgrade\*



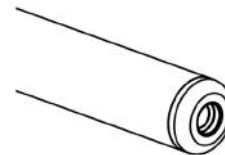
**PS519 x 1**



**PS520 x 1**



**EXT15-02 x 4**

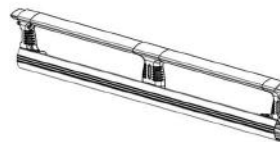
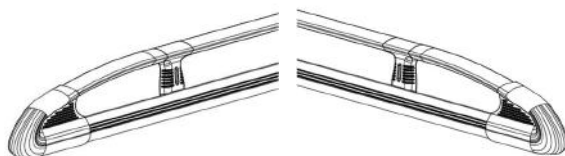


**SA439 x 1**

**LHS x 2**

**RHS x 2**

**Centre x 2**

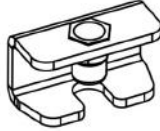


**ASF x 1**

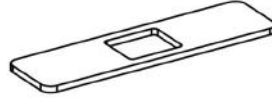
## Fitting Kit



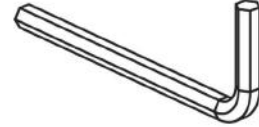
**PS180 x 6**



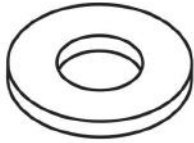
**SA068 x 6**



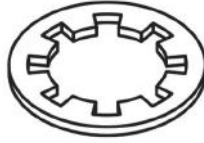
**PS047 x 6**



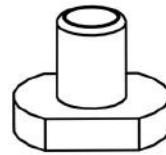
**FT01 x 1**



**FW002 (M8) x 6**



**FW009 (M8) x 6**



**FN085 x 18**



**FS067**   
**(M8 x 20) x 6**

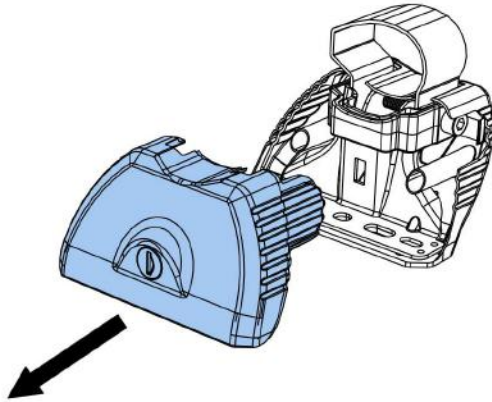


**FS018**   
**(M8 x 25) x 18**

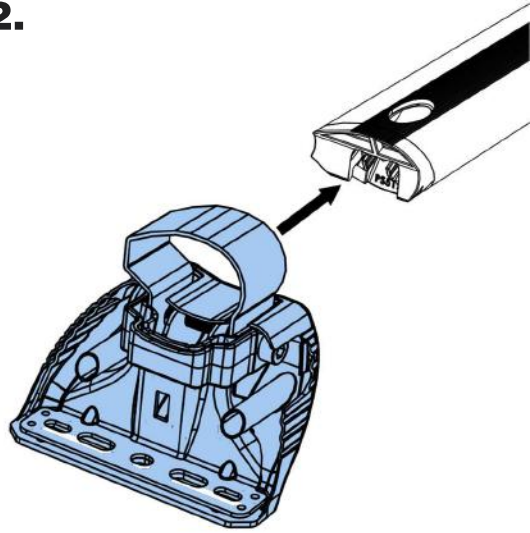


**FT05 x 1**

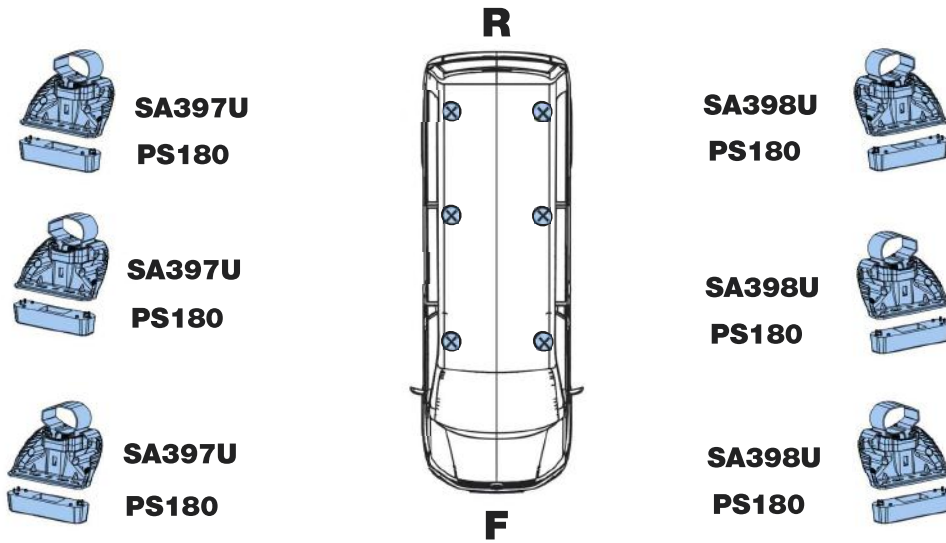
1.



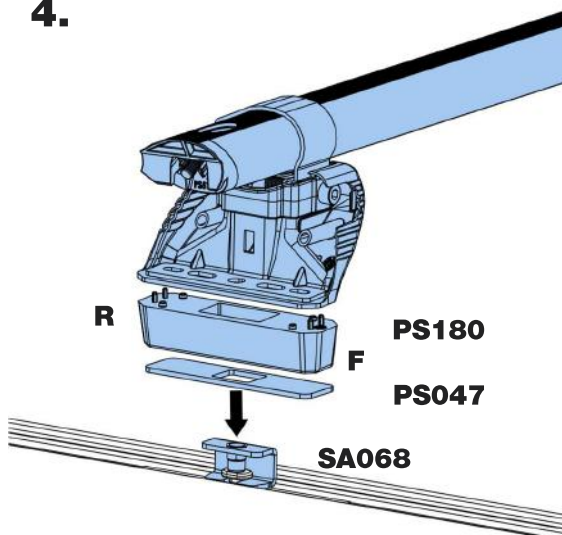
2.



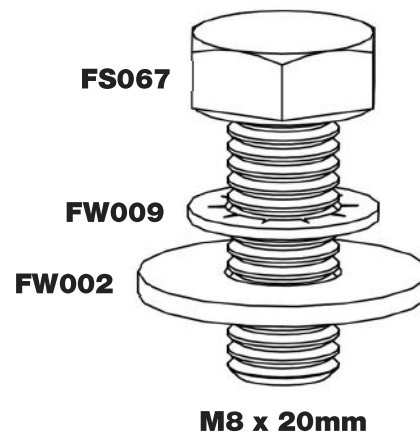
3.

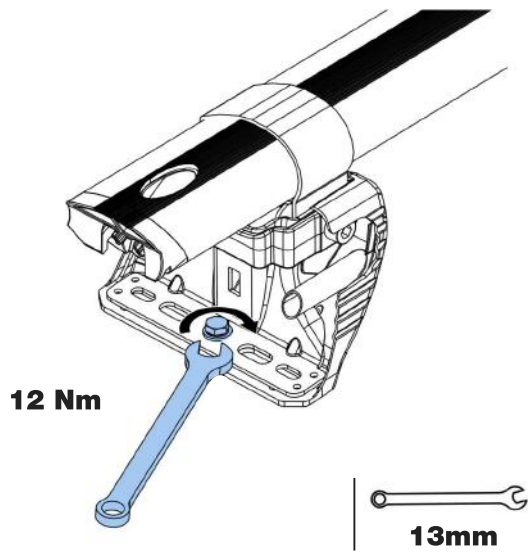


4.

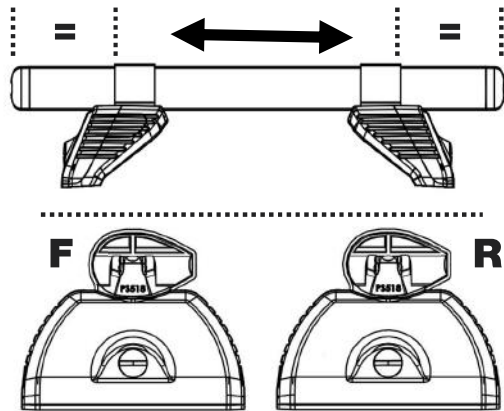


5.

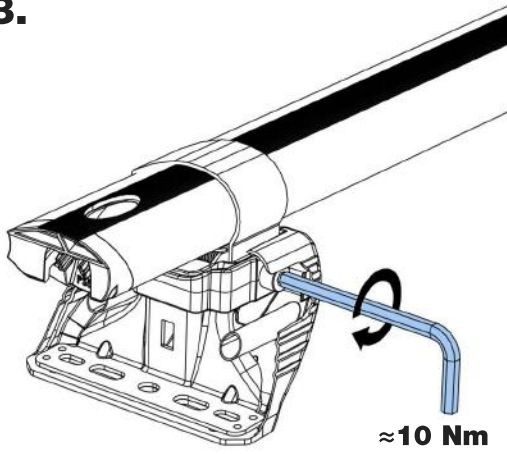




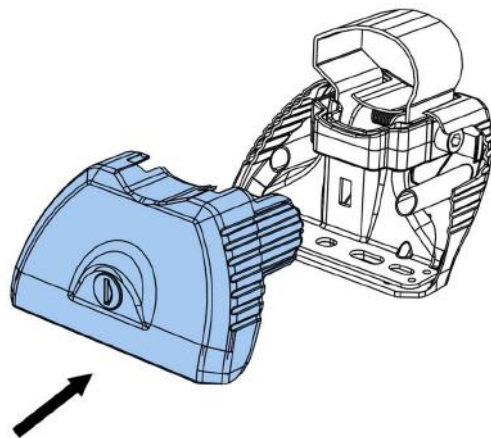
7.



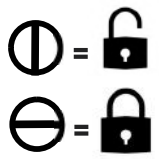
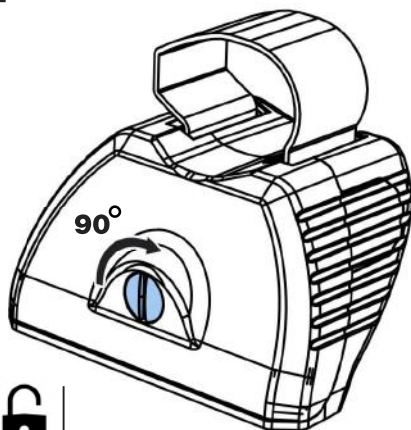
8.



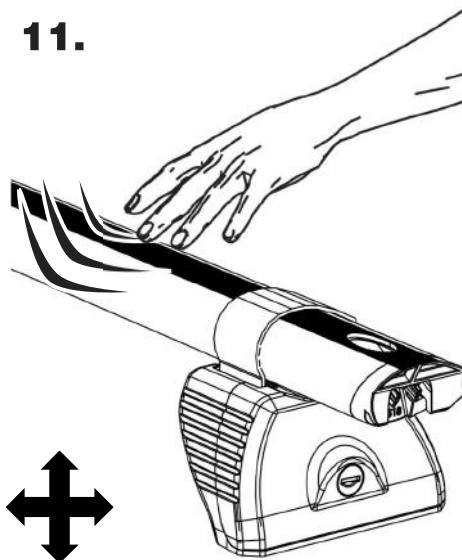
9.



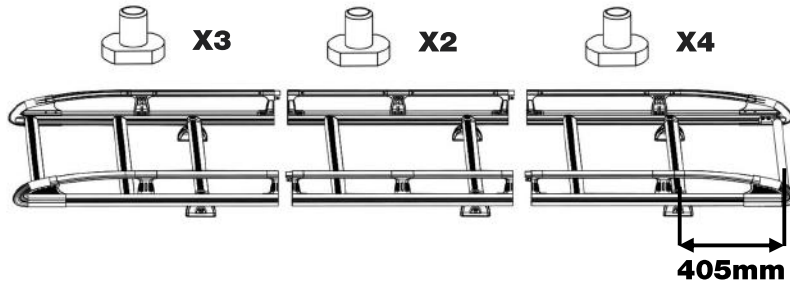
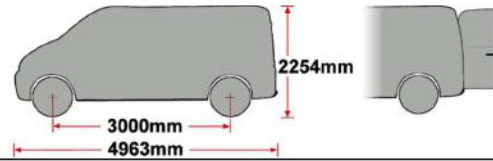
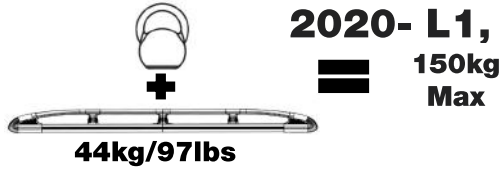
10.



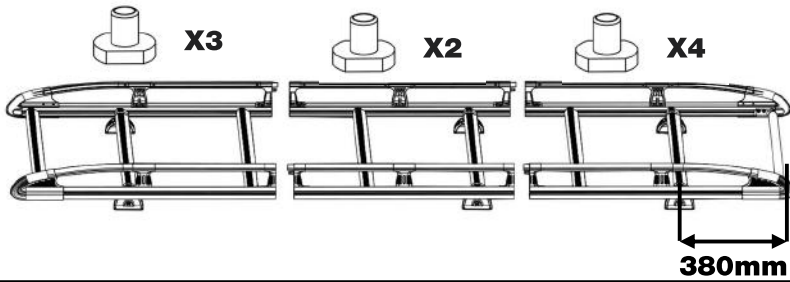
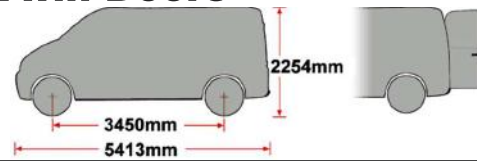
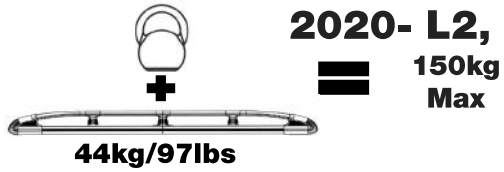
11.



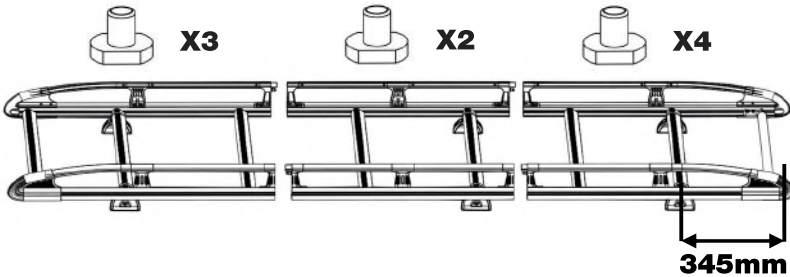
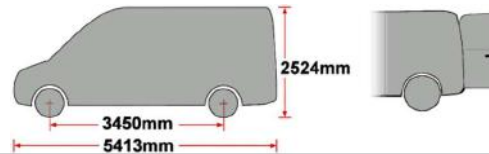
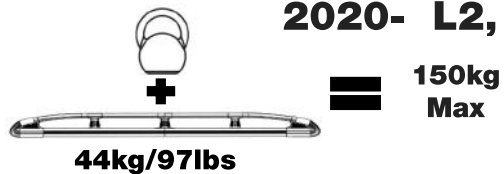
**K545- Jumper/Relay/Boxer/Ducato 2006-/Movano  
2020- L1, H1, Twin Doors**

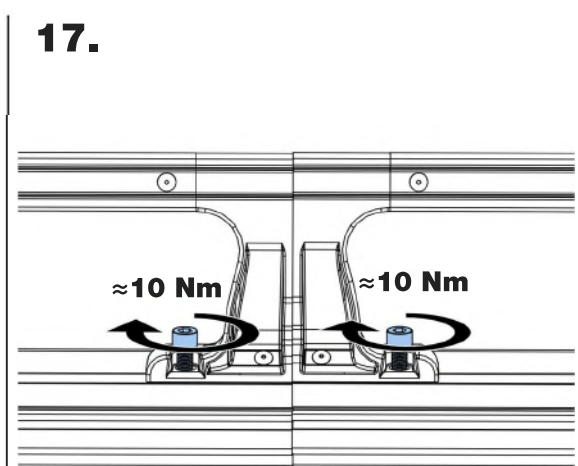
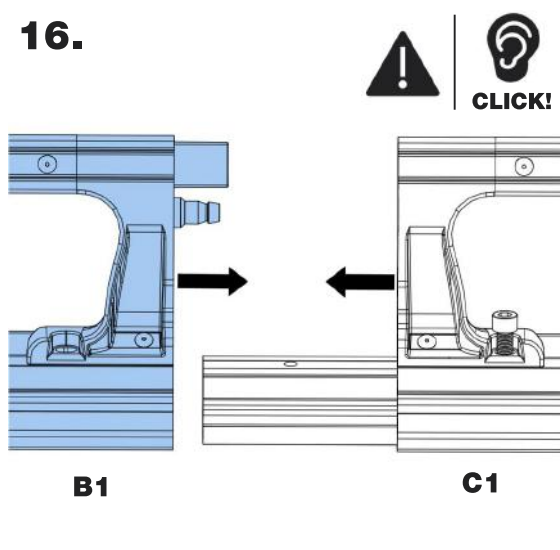
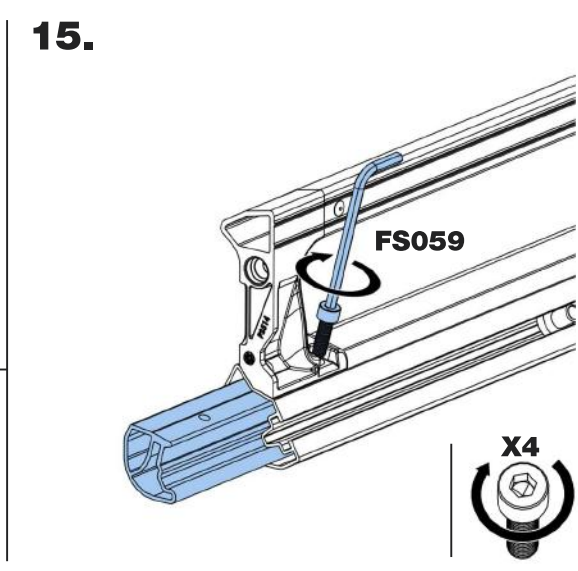
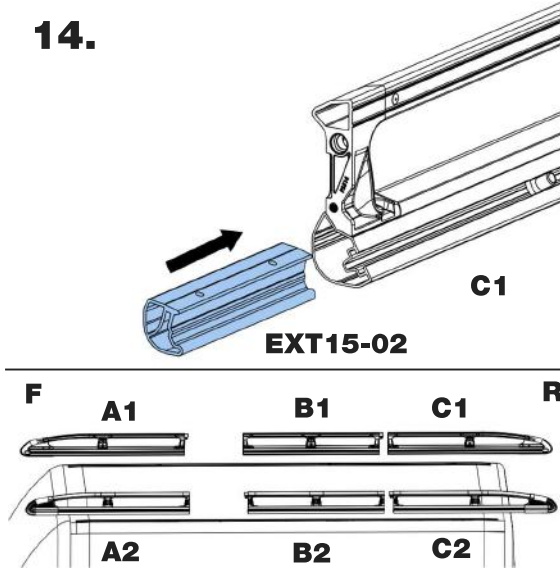
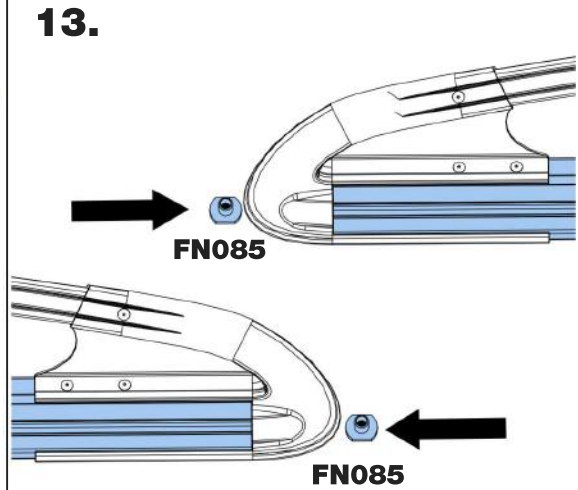
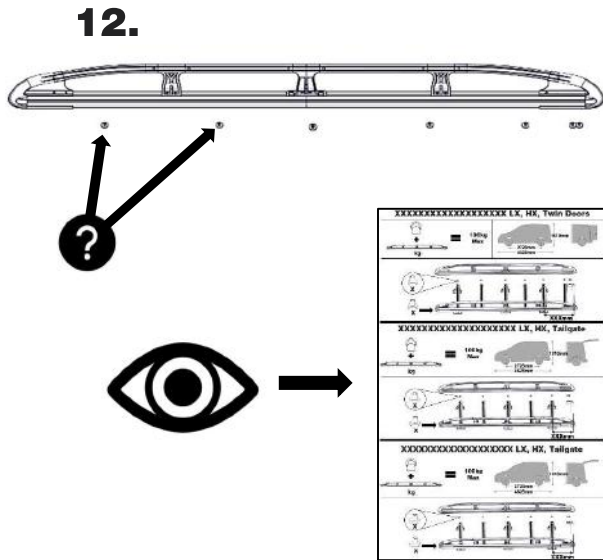


**K545- Jumper/Relay/Boxer/Ducato 2006-/Movano  
2020- L2, H1, Twin Doors**

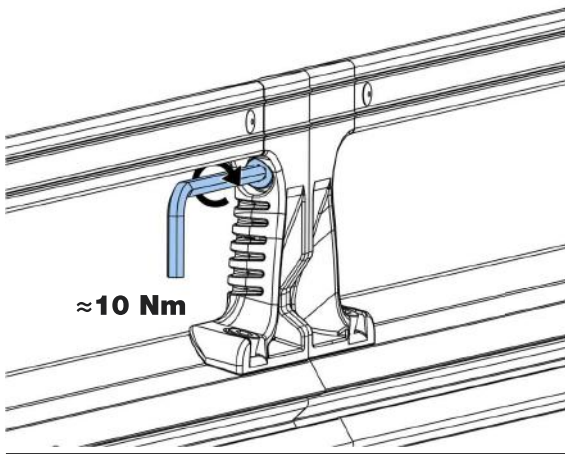


**K545- Jumper/Relay/Boxer/Ducato 2006-/Movano  
2020- L2, H2, Twin Doors**

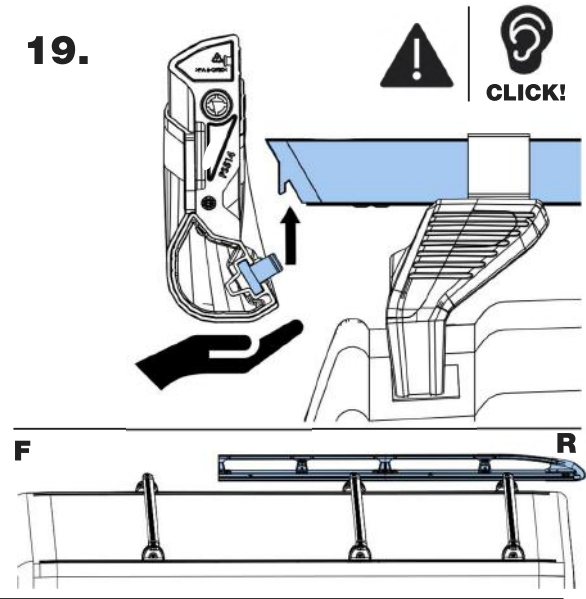




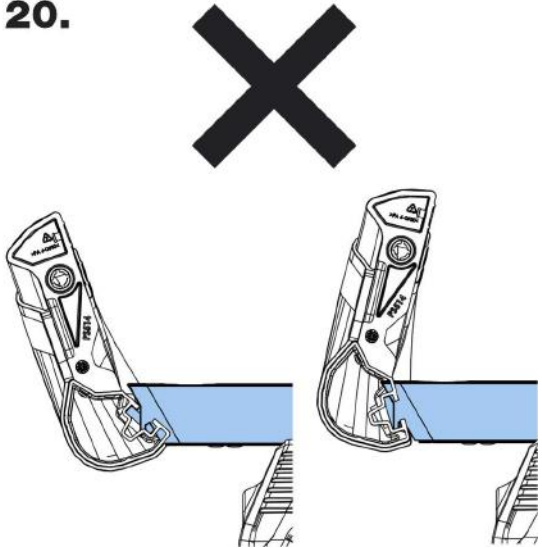
18.



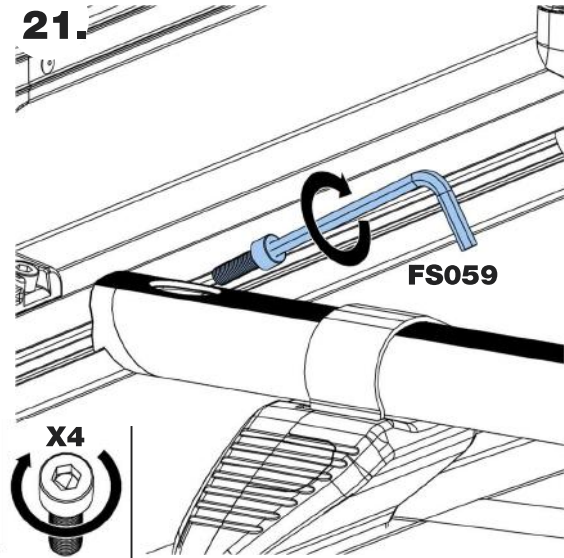
19.



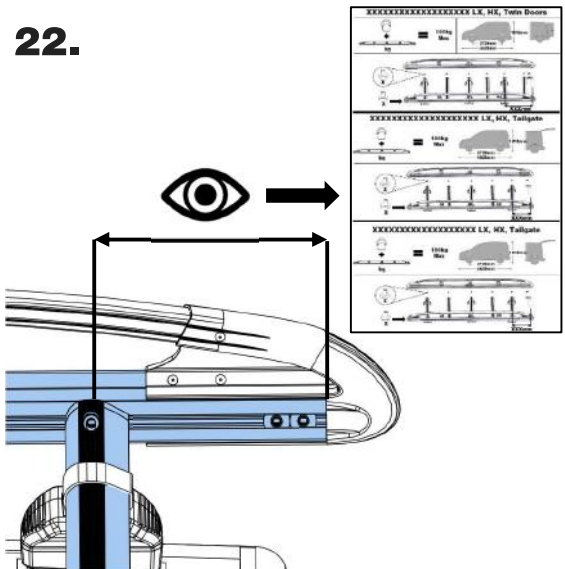
20.



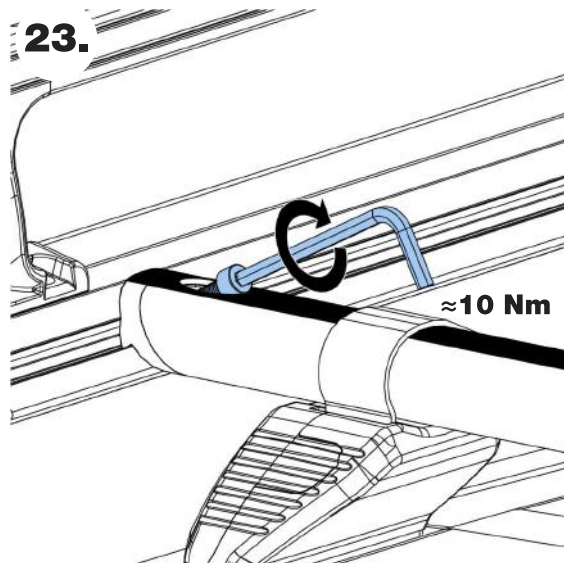
21.



22.

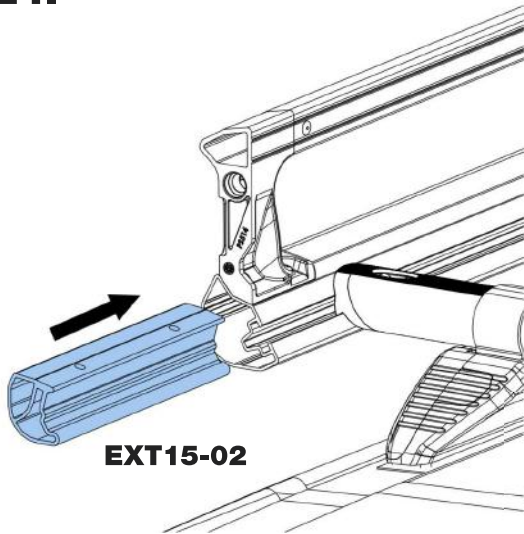


23.

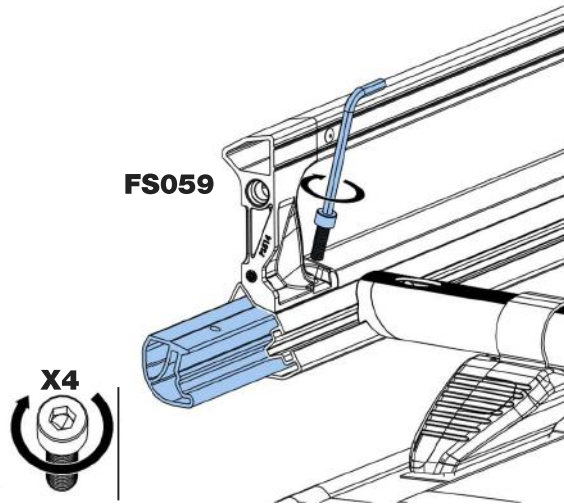




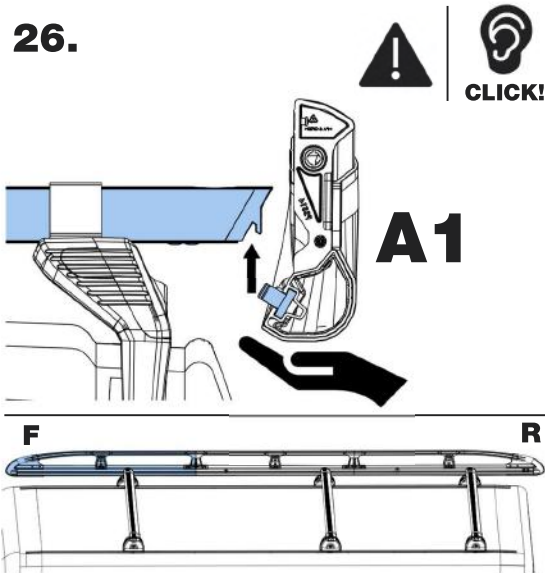
24.



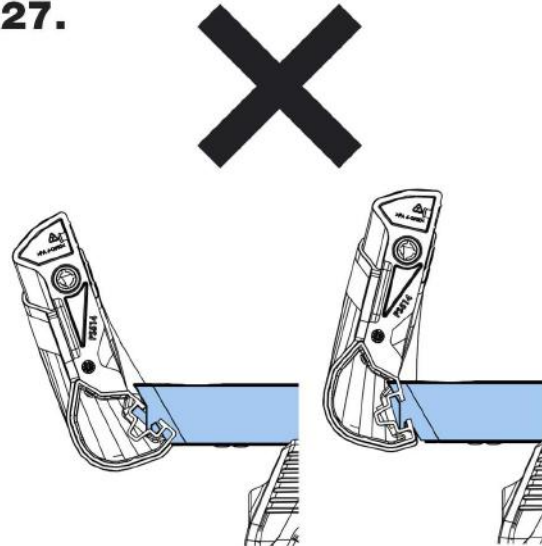
25.



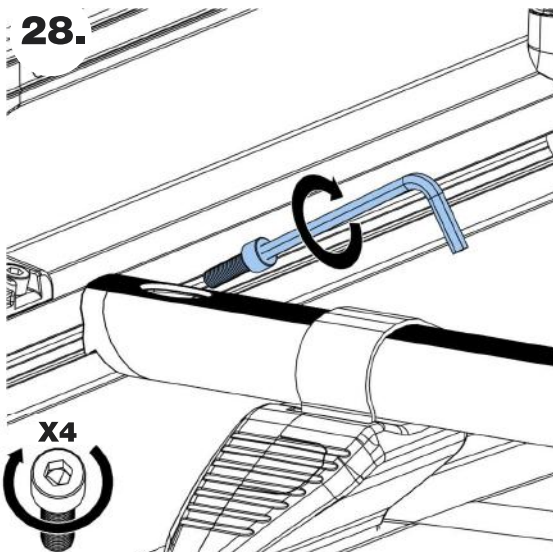
26.



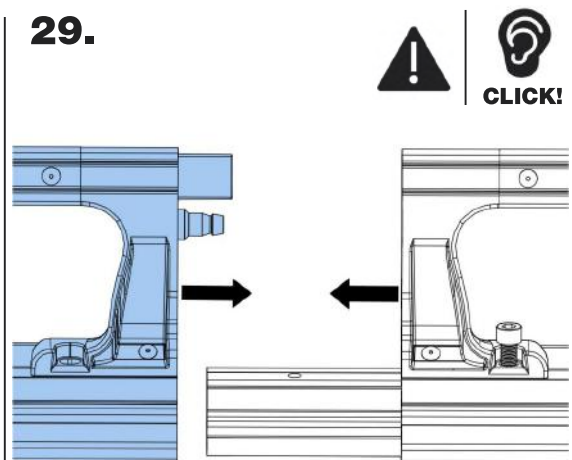
27.



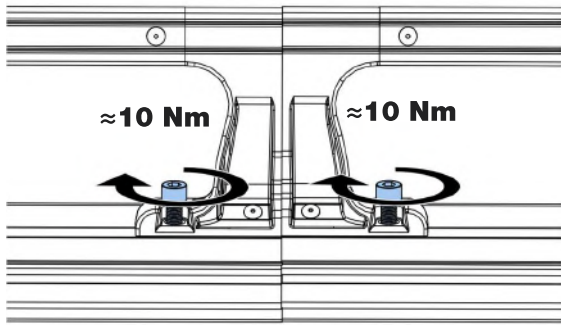
28.



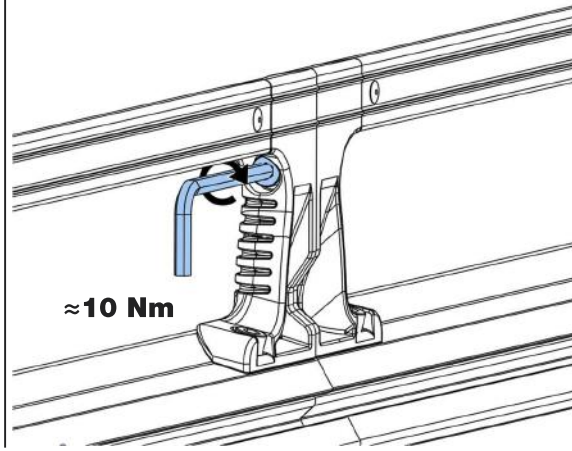
29.



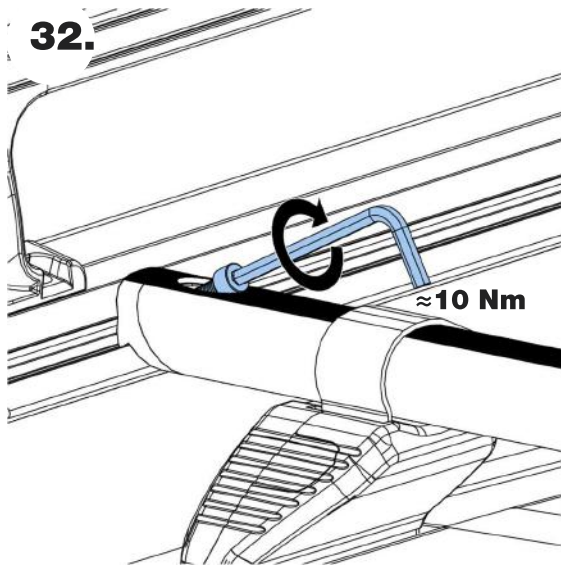
30.



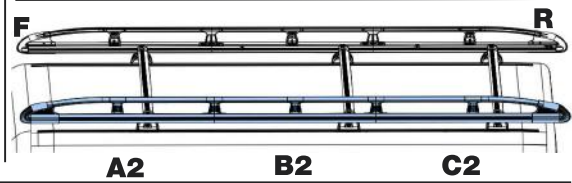
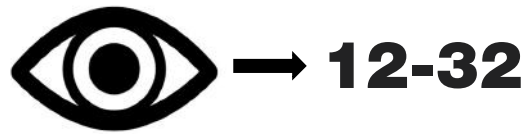
31.



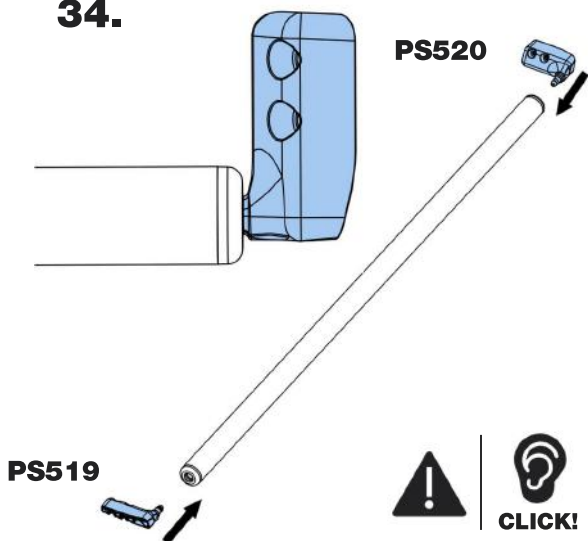
32.



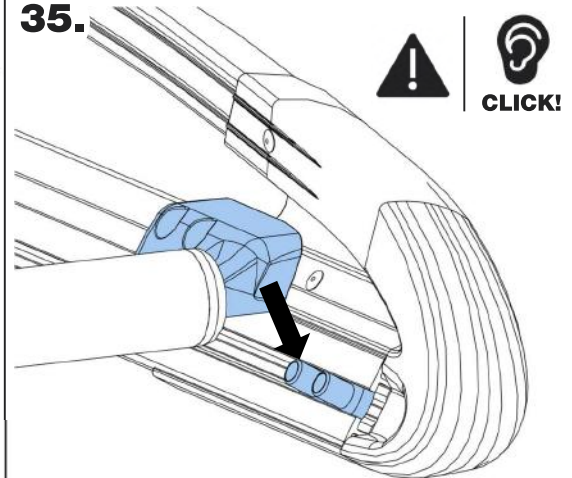
33.



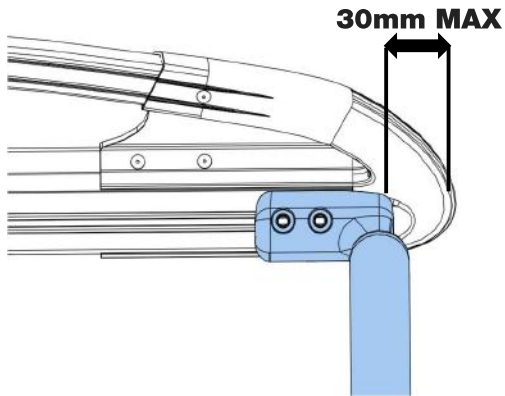
34.



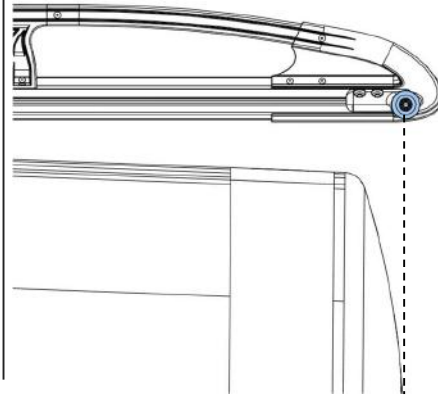
35.



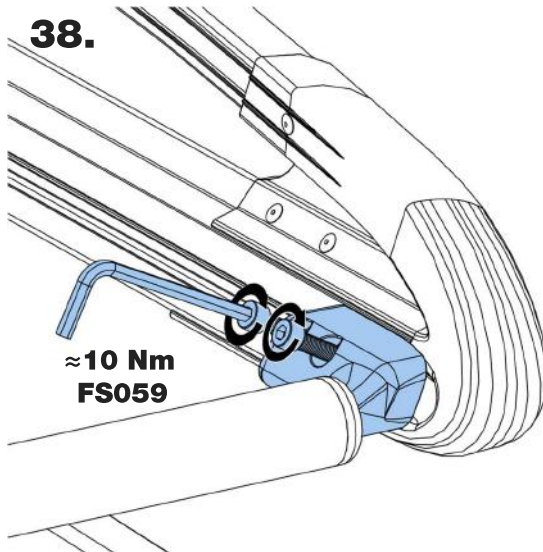
**36.**



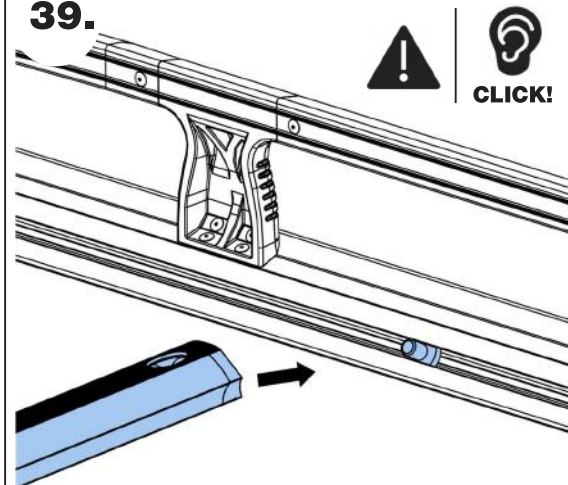
**37.**



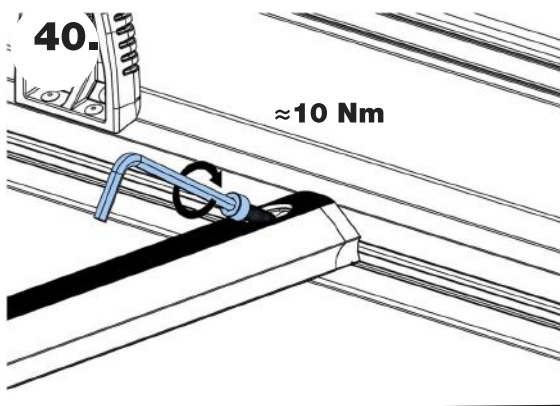
**38.**



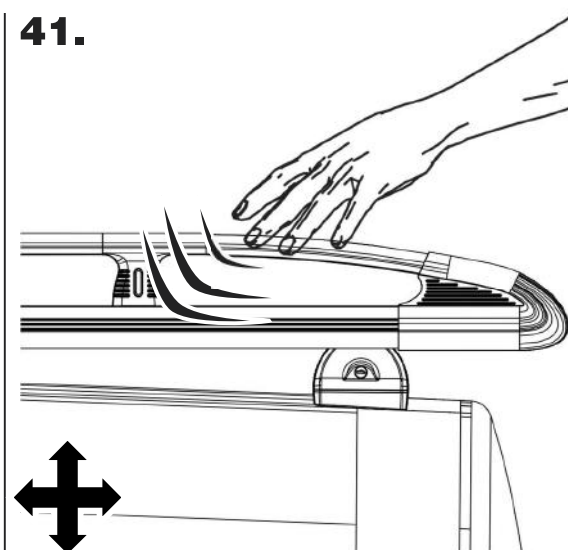
**39.**



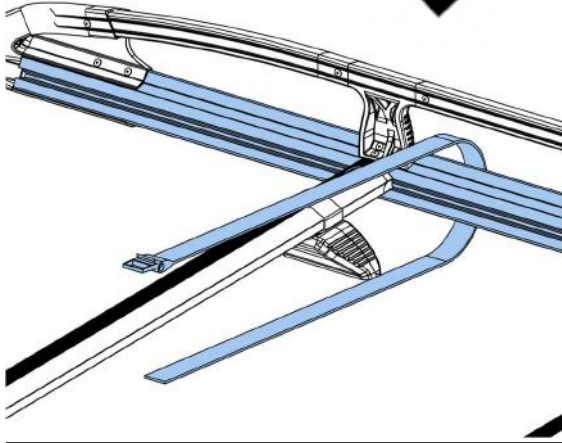
**40.**



**41.**



**42.**



**43.**

