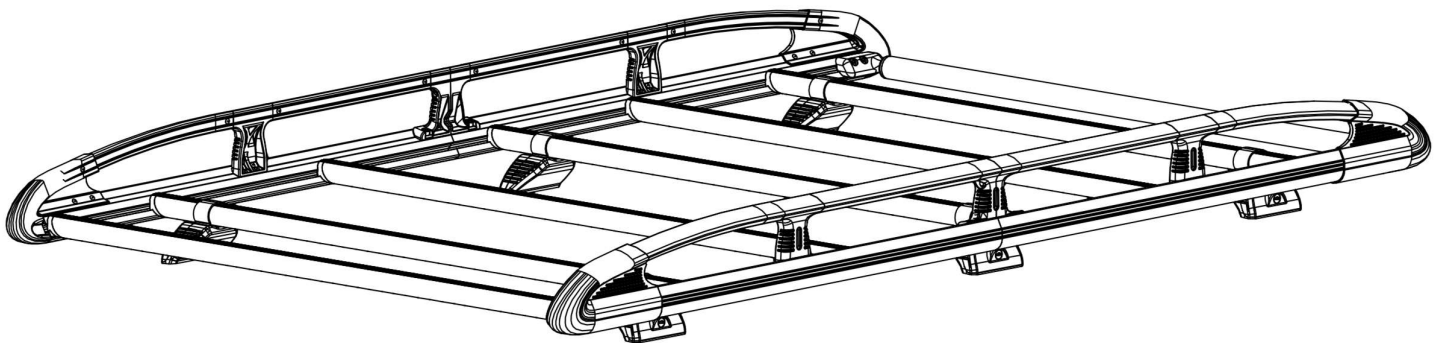


P2KR

KammRack

Instructions

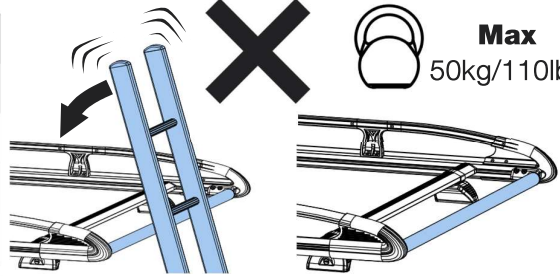
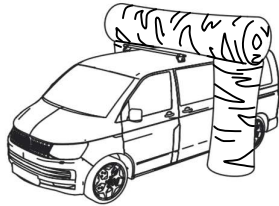
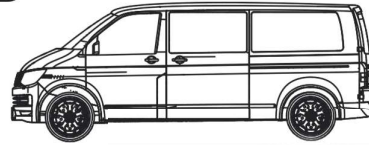


CITY CRASH (✓)

According to ISO/ PAS 11154:2006

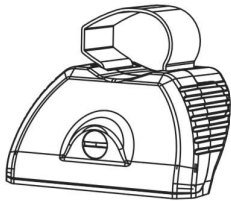
P2KR

RENAULT KANGOO 2008-

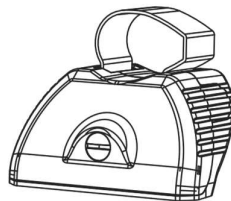


Max
50kg/110lbs

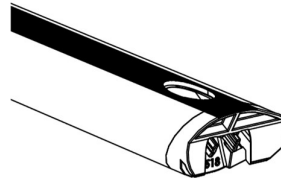
KammRack



SA397U x 2



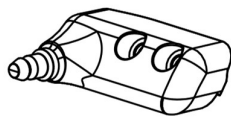
SA398U x 2



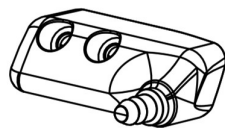
SA428



C04 x 4
optional upgrade



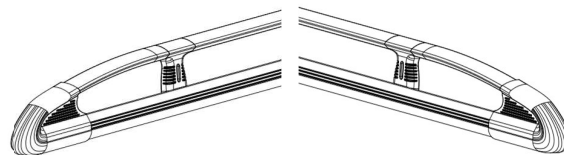
PS519 x 1



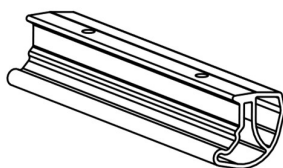
PS520 x 1

LHS x 2

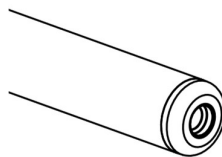
RHS x 2



ASF x 1

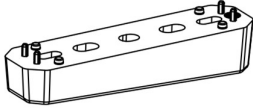


EXT15-02 x 2

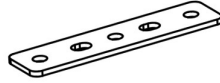


SA436 x 1

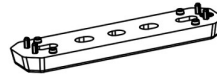
Fitting Kit



PS176 x 2



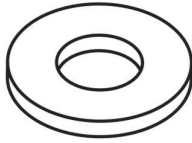
PS023 x 4



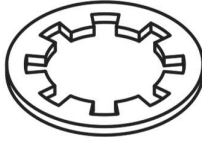
PS178 x 2



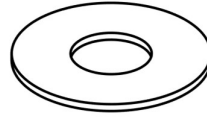
FT01 x 1



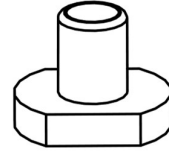
FW002 (M8) x 4



FW009 (M8) x 4



PS153 (M8) x 4



FN085 x 14



FS061
(M8 x 35) x 2



FS081
(M8 x 50) x 2

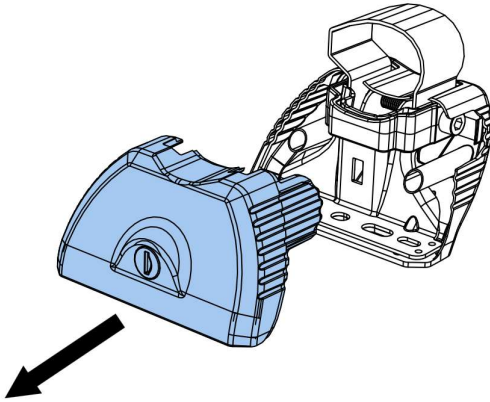


FS059
(M8 x 25) x 14

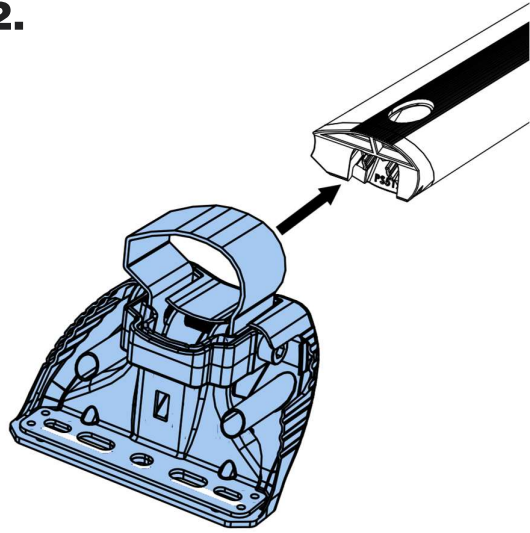


FT05 x 1

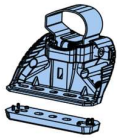
1.



2.

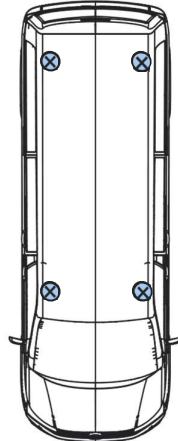


3.



SA397U
PS178

R



SA398U
PS178



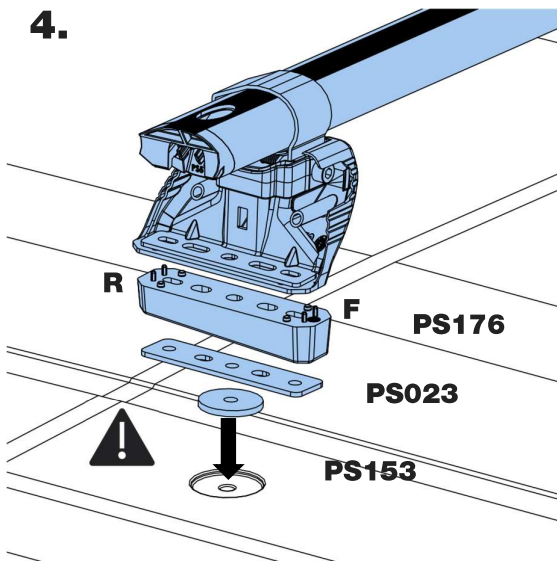
SA397U
PS176

SA398U
PS176

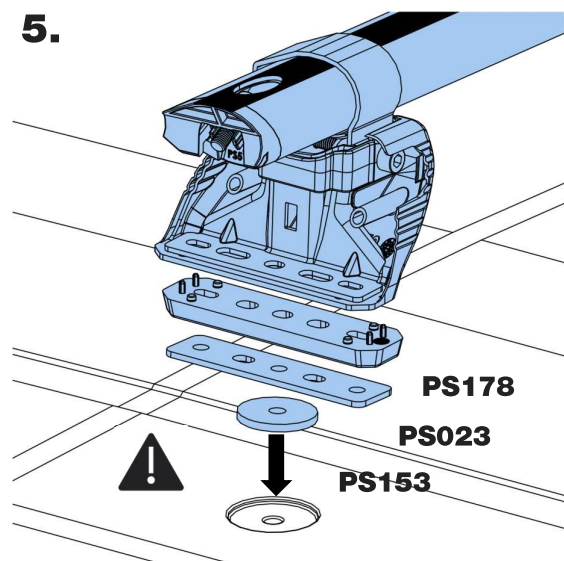


F

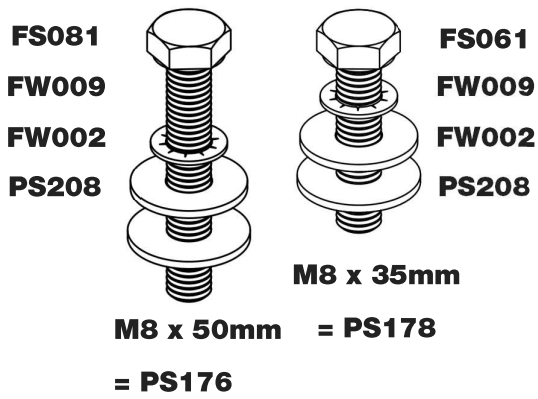
4.



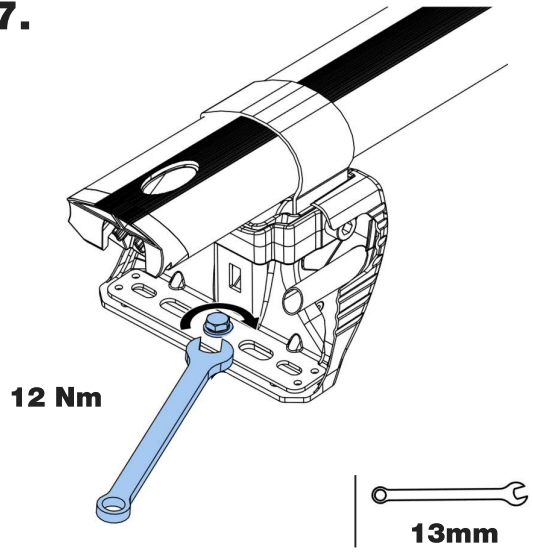
5.



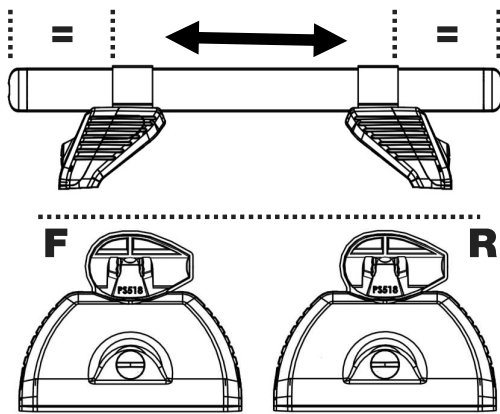
6.



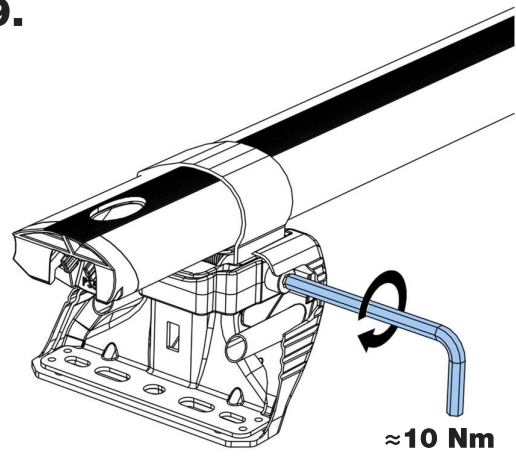
7.



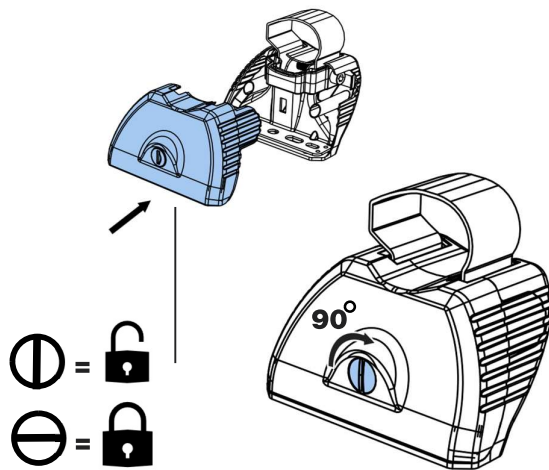
8.



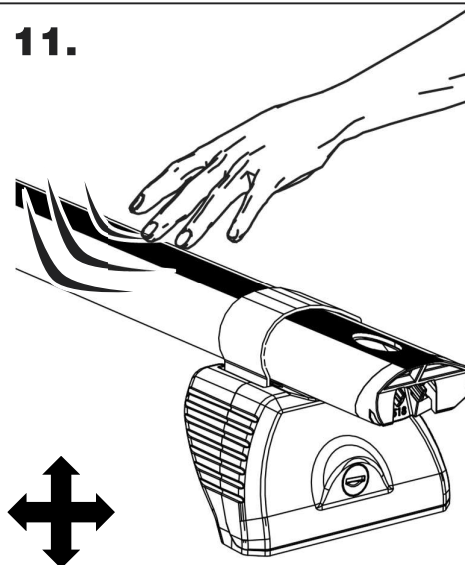
9.



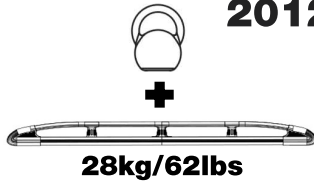
10.



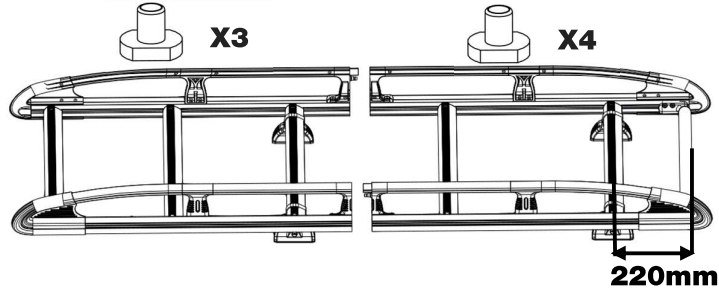
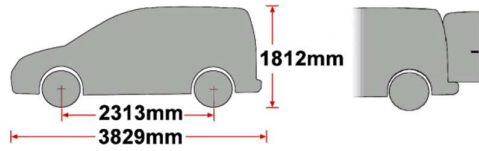
11.



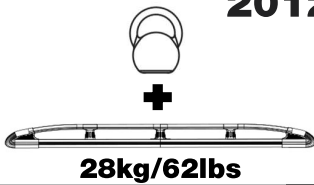
**K575- Renault Kangoo 2008-2021/ Mercedes Citan
2012-2022 L1, H1 Twin Doors**



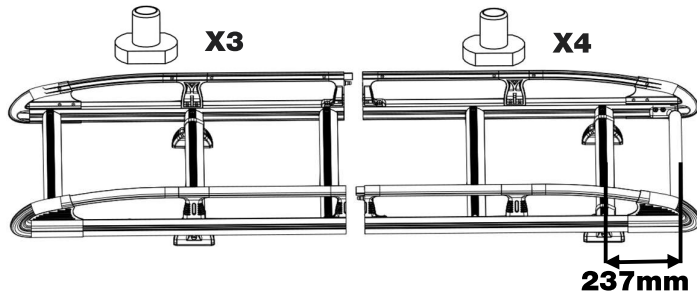
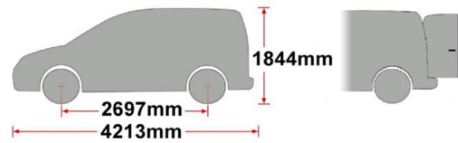
**100kg
Max**

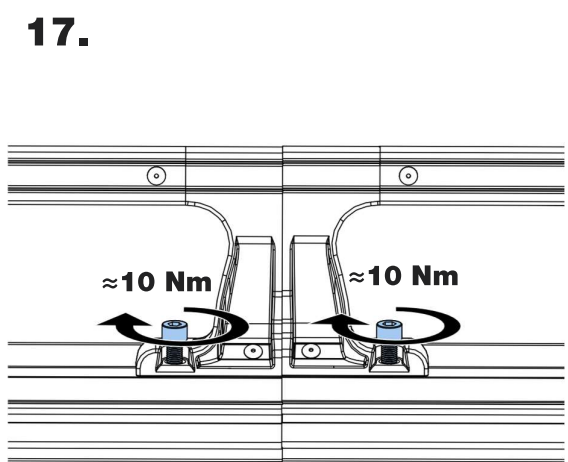
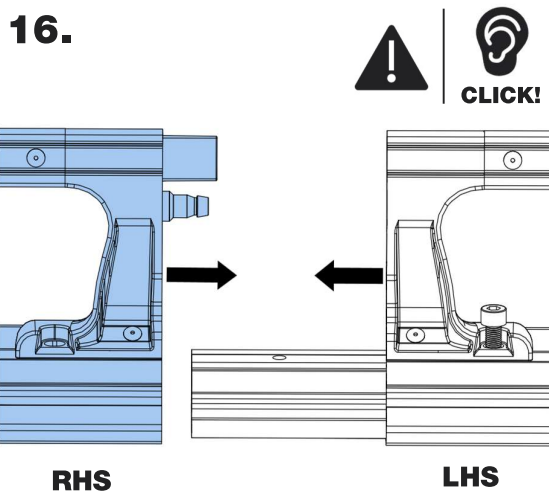
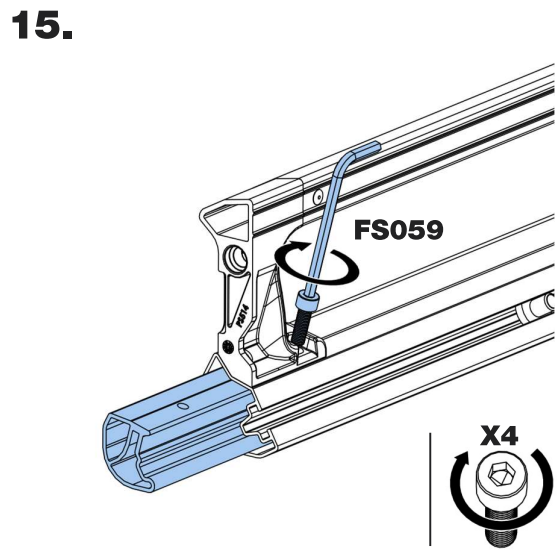
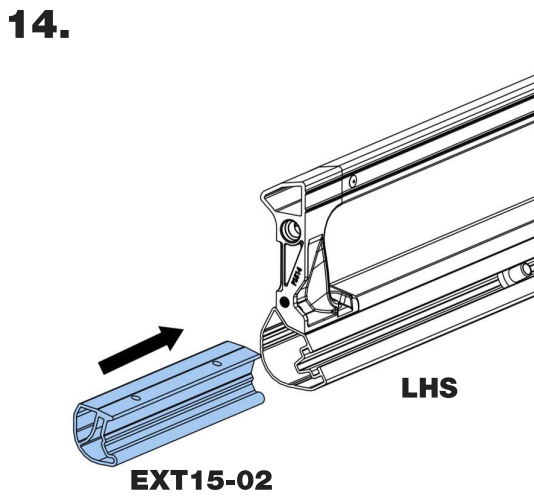
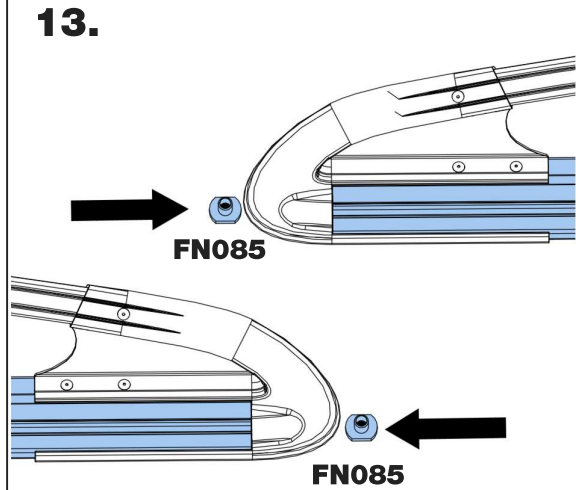
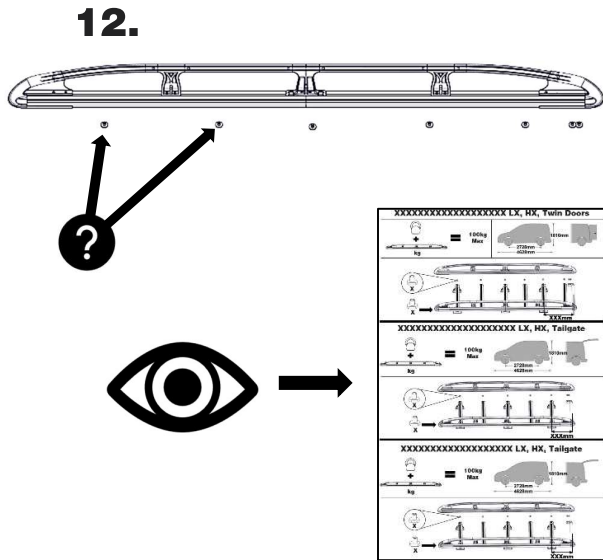


**K575- Renault Kangoo 2008-2021/ Mercedes Citan
2012-2022 L2, H1 Twin Doors**

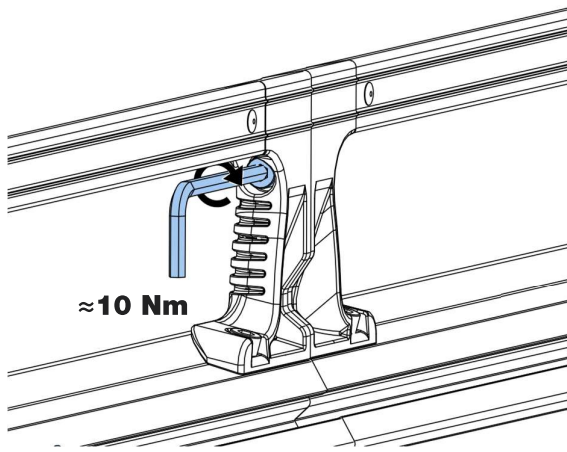


**100kg
Max**

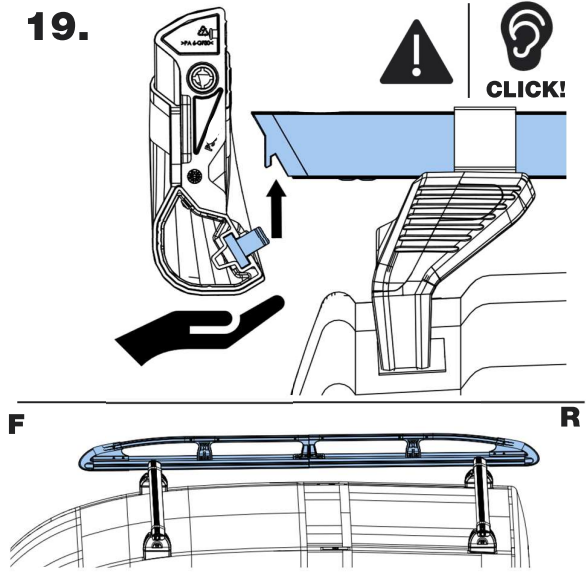




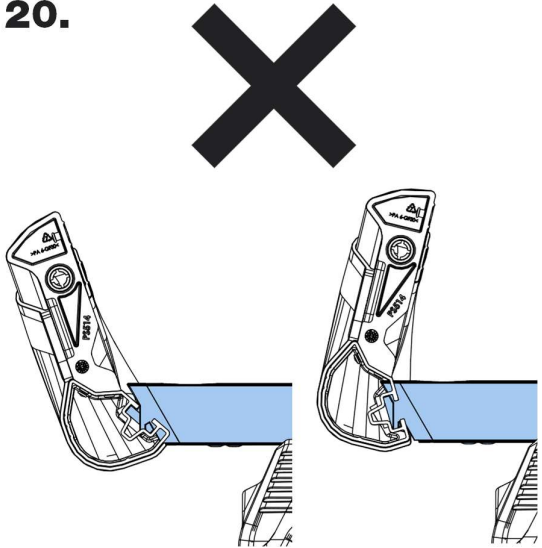
18.



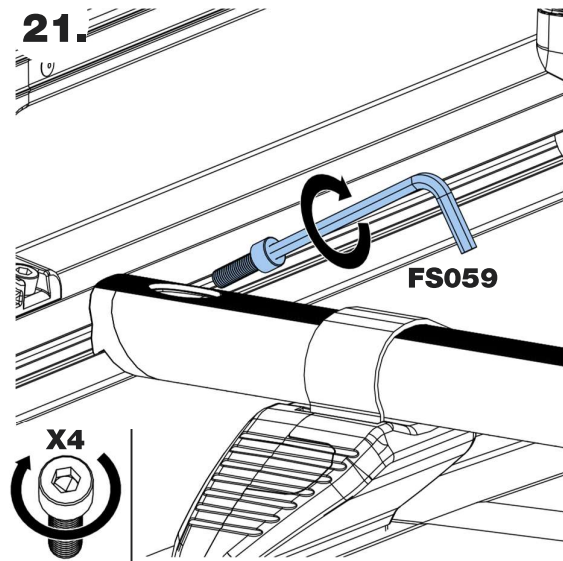
19.



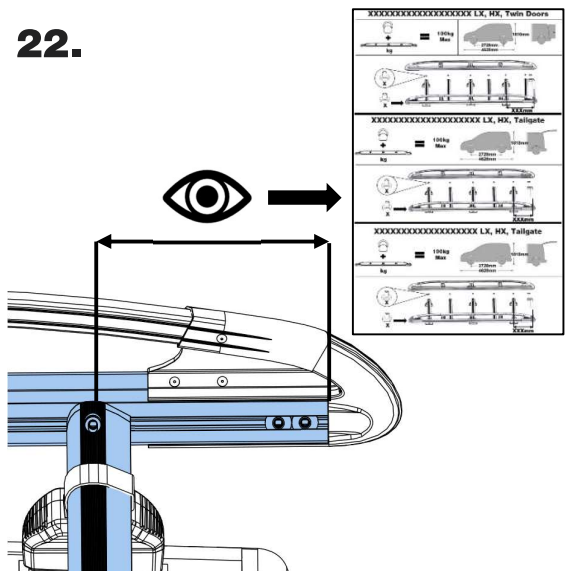
20.



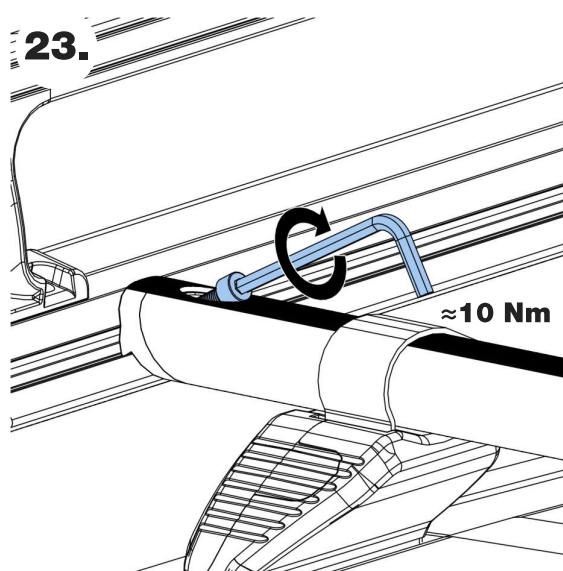
21.



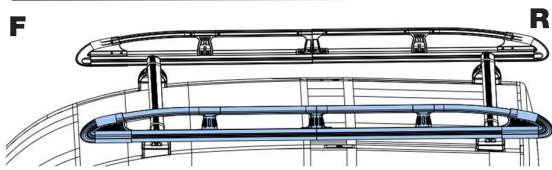
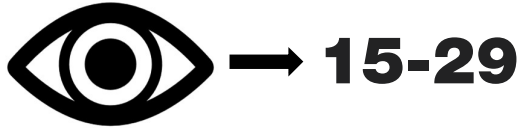
22.



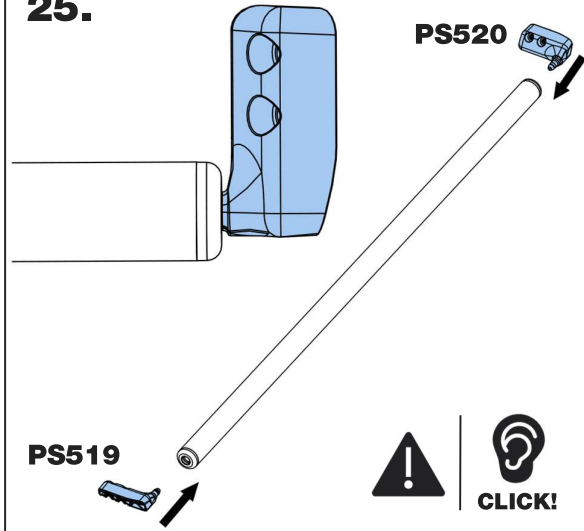
23.



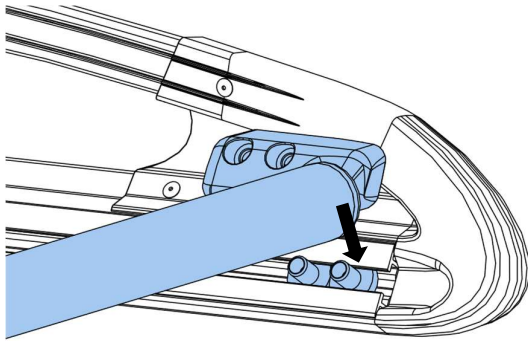
24.



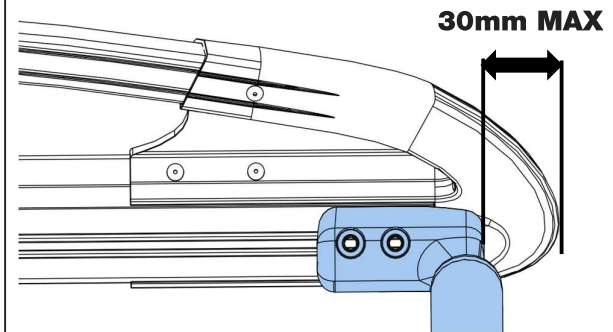
25.



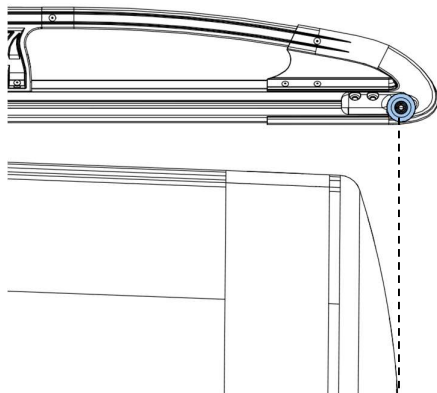
26.



27.



28.



29.

