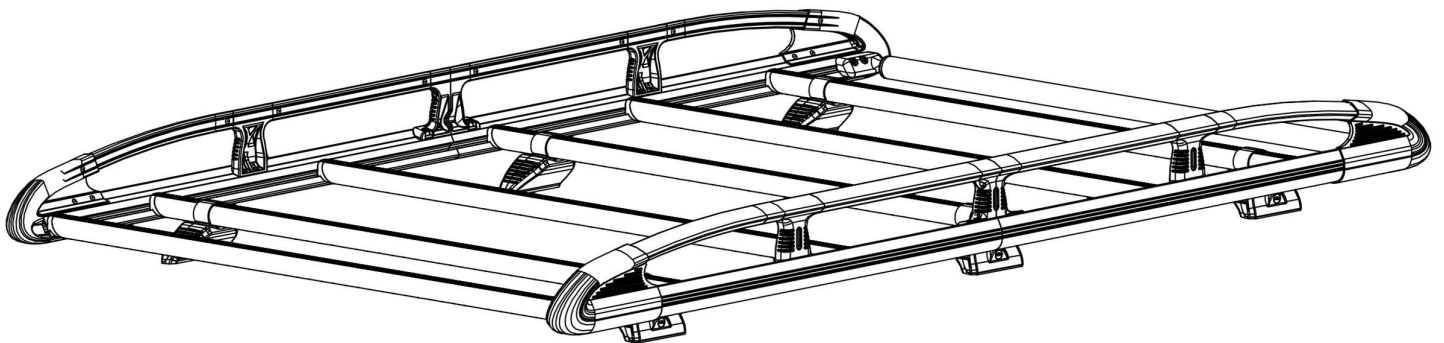


IA74KR

KammRack

Instructions

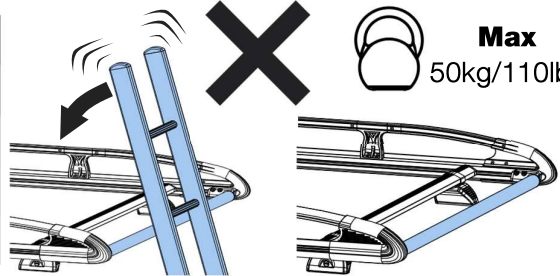
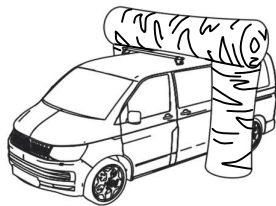
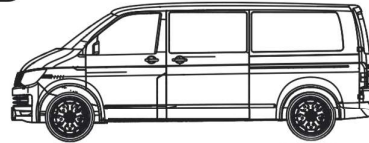


CITY CRASH (✓)

According to ISO/ PAS 11154:2006

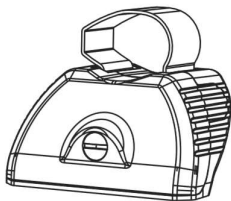
IA74KR:

CITROEN Relay, 2006 – Onwards
PEUGEOT Boxer, 2006 – Onwards
FIAT Ducato, 2006 – Onwards
VAUXHALL Movano 2020- Onwards

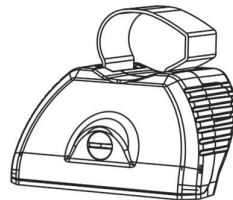


Max
50kg/110lbs

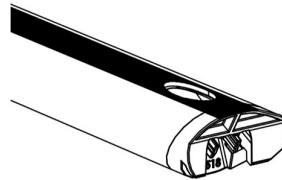
KammRack



SA397U x 4



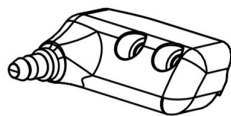
SA398U x 4



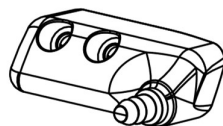
SA431



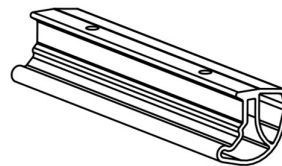
C04 x 8
optional upgrade



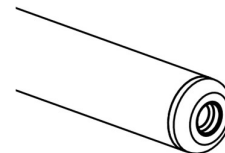
PS519 x 1



PS520 x 1



EXT15-02 x 4

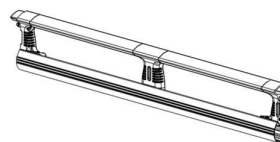
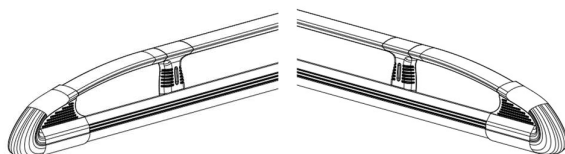


SA439 x 1

LHS x 2

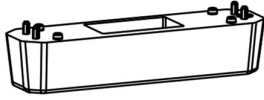
RHS x 2

Centre x 2

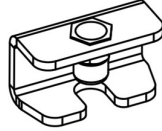


ASF x 1

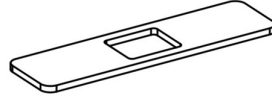
Fitting Kit



PS180 x 8



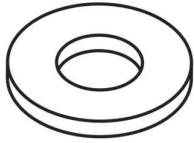
SA068 x 8



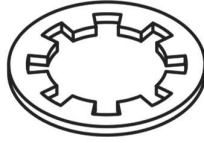
PS047 x 8



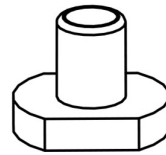
FT01 x 1



FW002 (M8) x 8



FW009 (M8) x 8



FN085 x 22



FS067
(M8 x 20) x 8

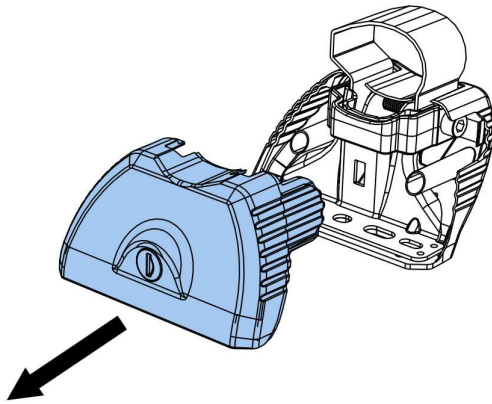


FS018
(M8 x 25) x 22

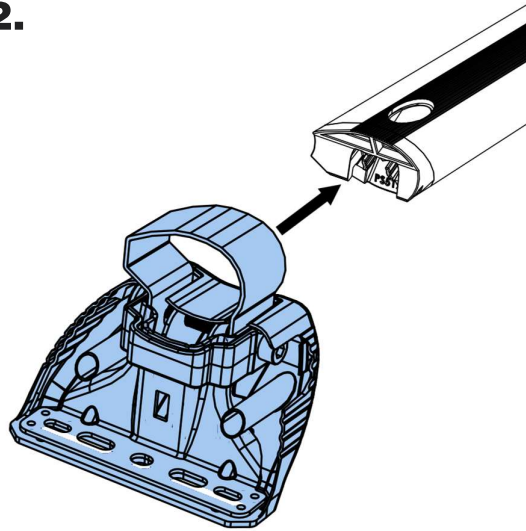


FT05 x 1

1.



2.



3.



SA397U
PS180



SA397U
PS180

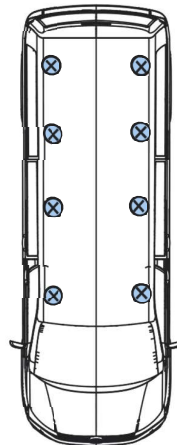


SA397U
PS180



SA397U
PS180

R



F

SA398U
PS180



SA398U
PS180



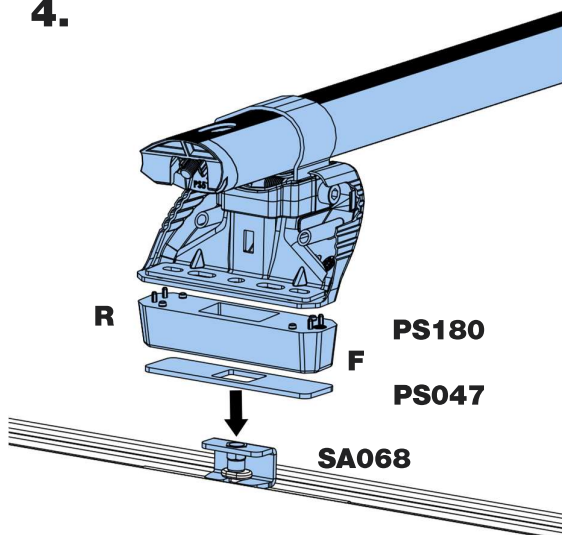
SA398U
PS180



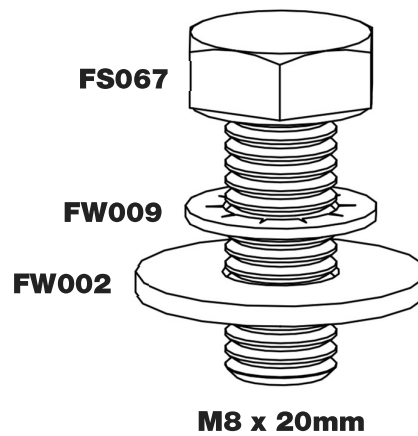
SA398U
PS180

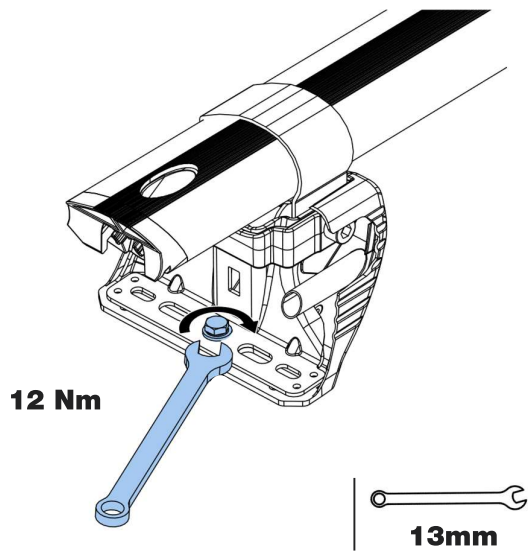


4.

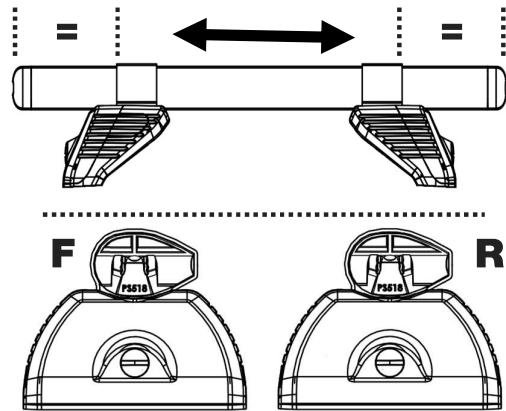


5.

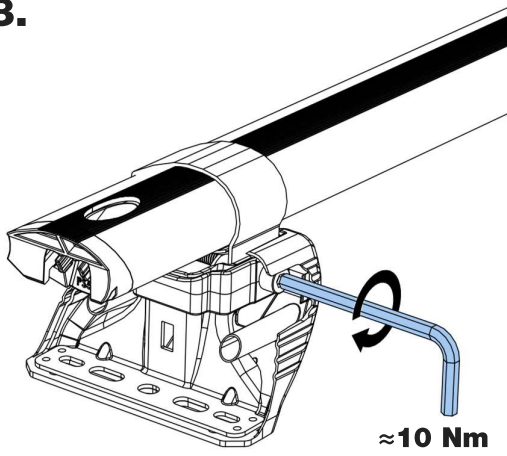




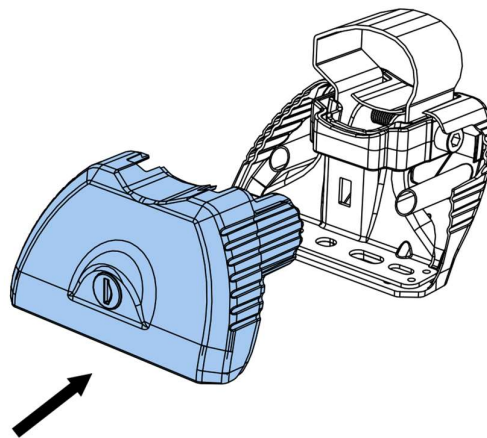
7.



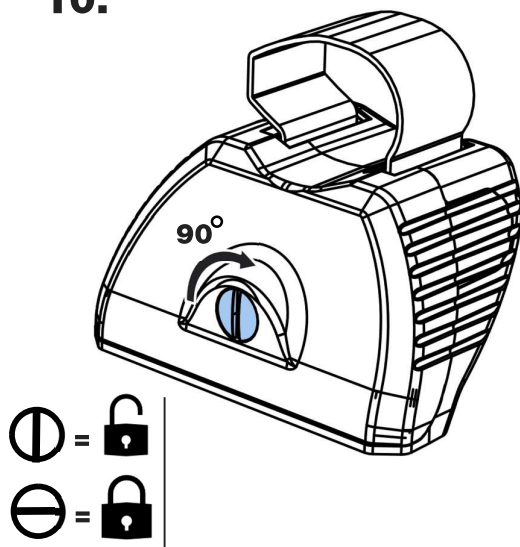
8.



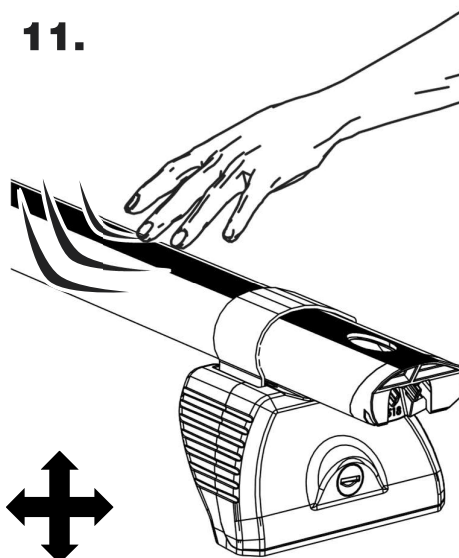
9.



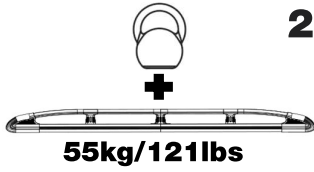
10.



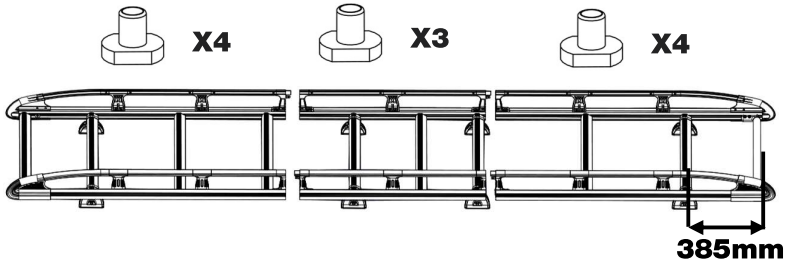
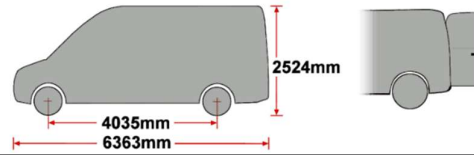
11.



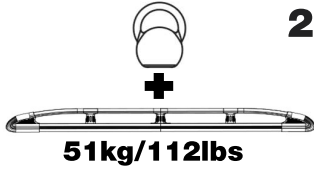
**K587- Jumper/Relay/Boxer/Ducato 2006-/Movano
2020- L4, H2, Twin Doors**



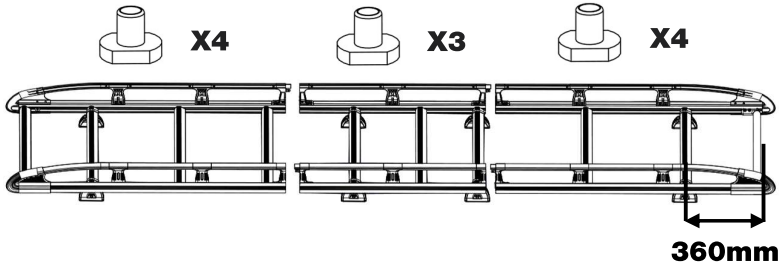
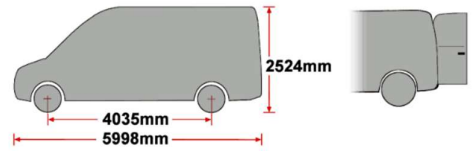
**150kg
Max**



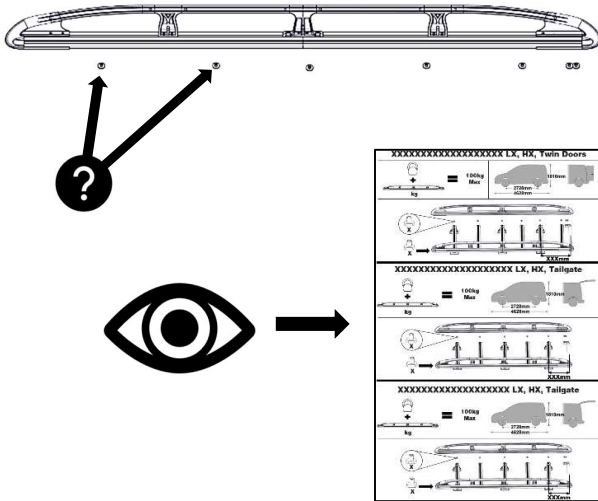
**K548- Jumper/Relay/Boxer/Ducato 2006-/Movano
2020- L3, H2, Twin Doors**



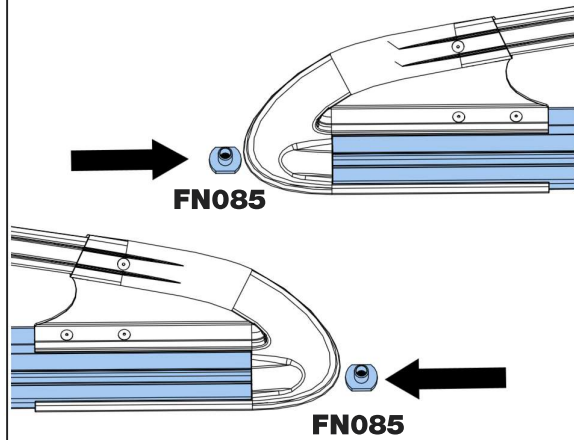
**150kg
Max**



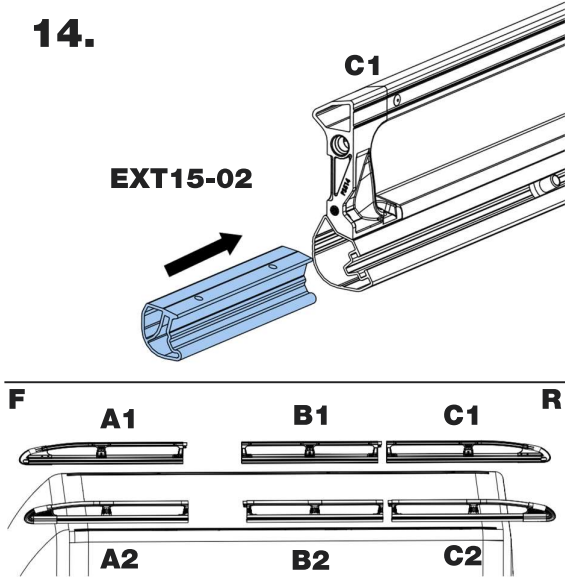
12.



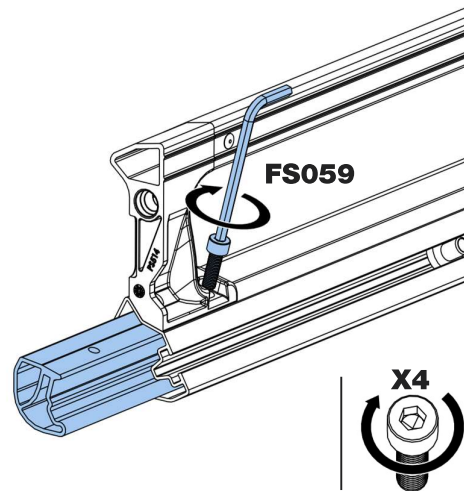
13.



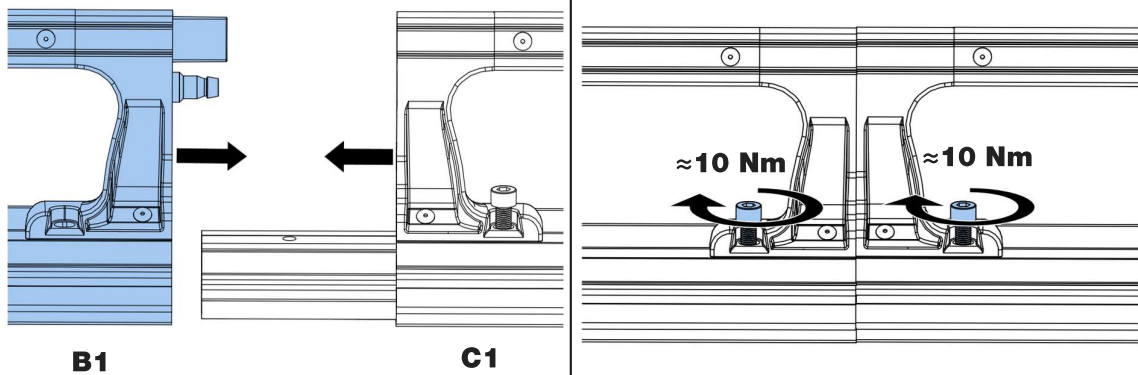
14.



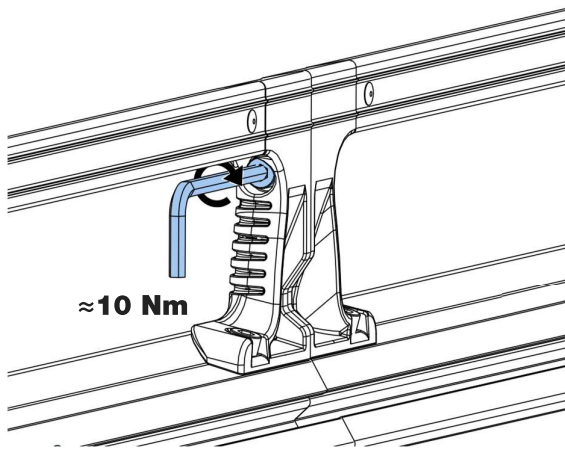
15.



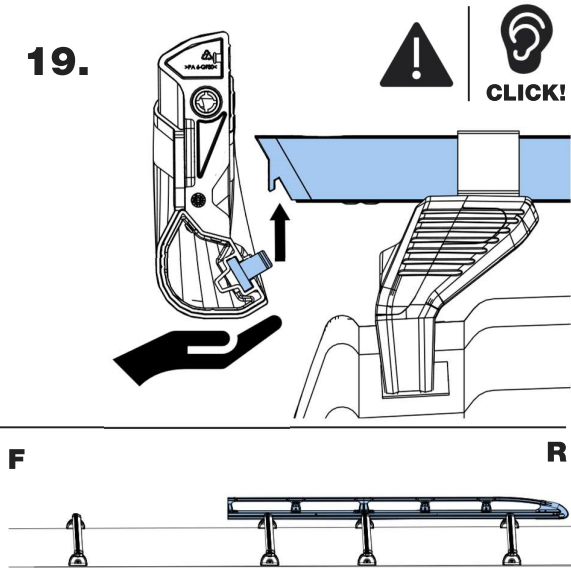
17.



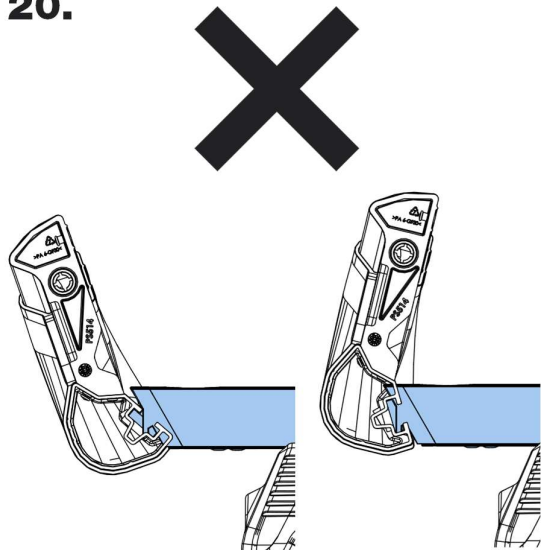
18.



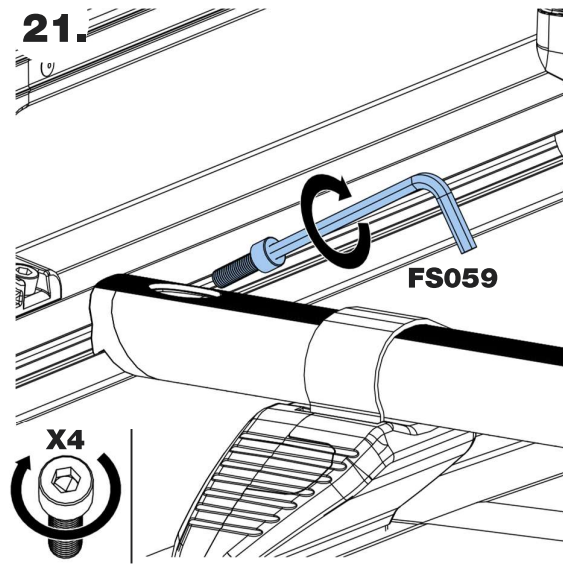
19.



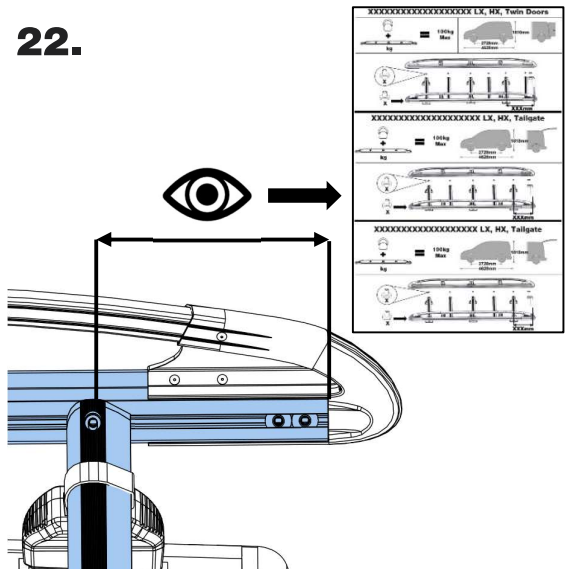
20.



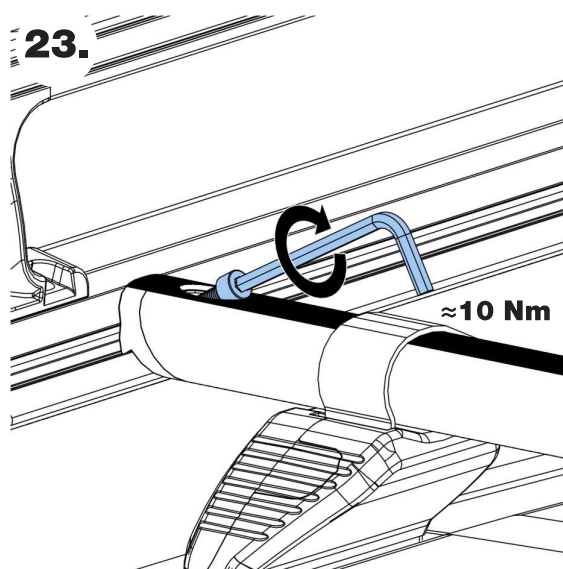
21.



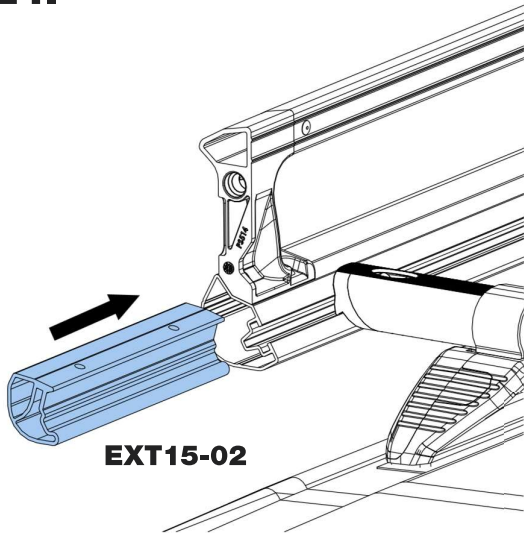
22.



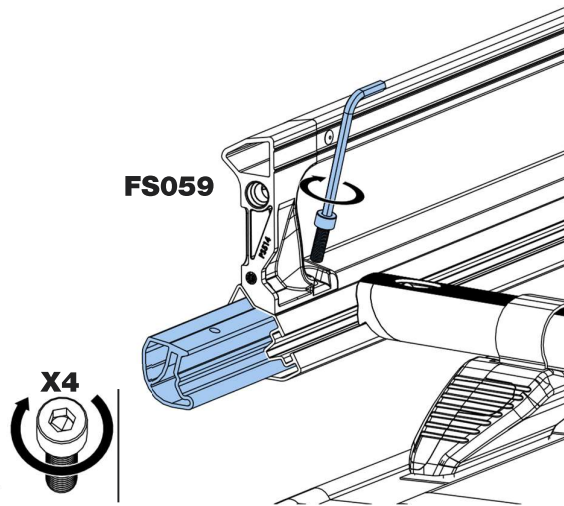
23.



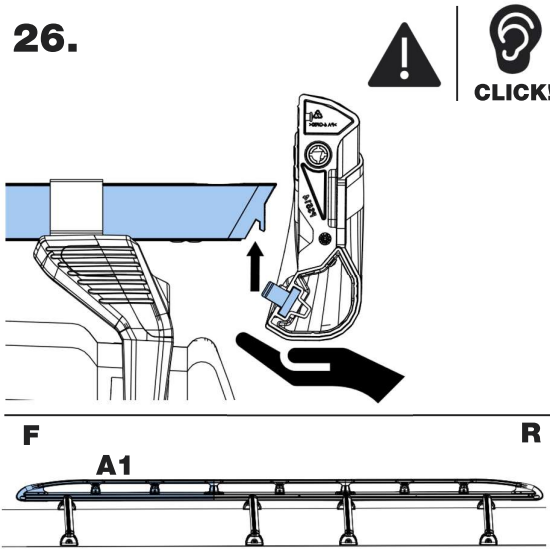
24.



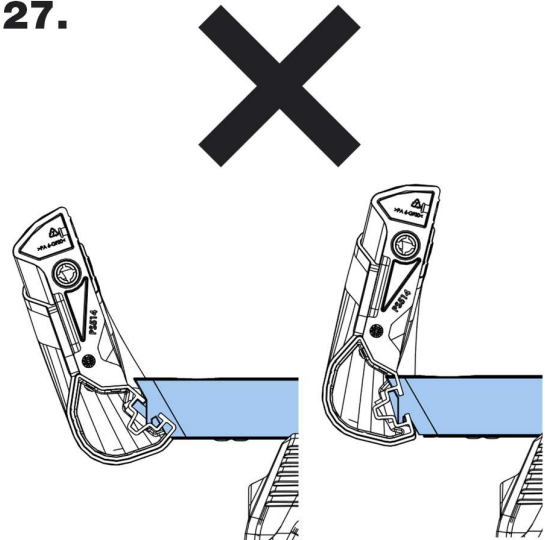
25.



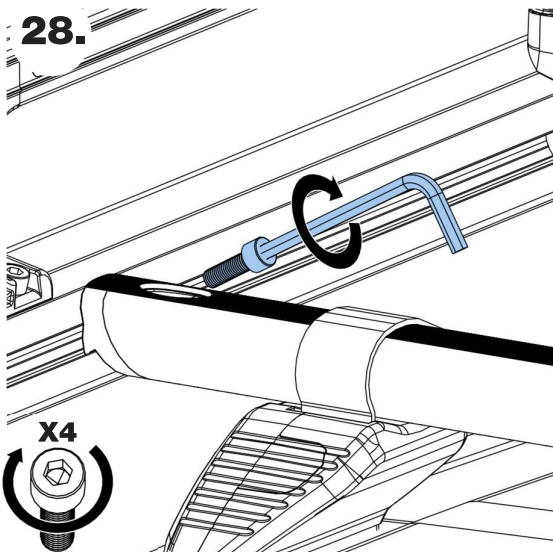
26.



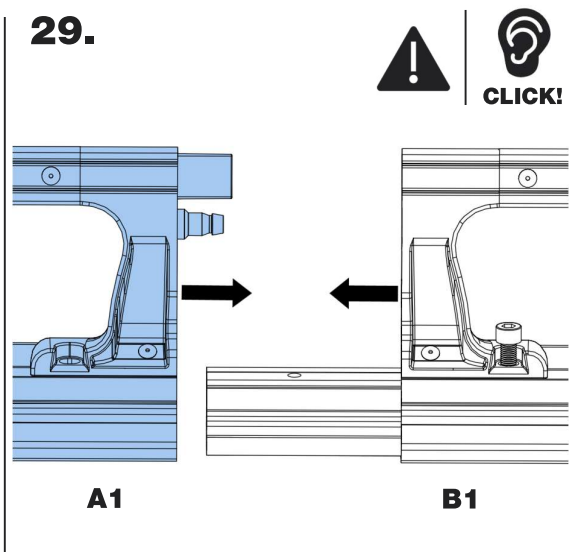
27.



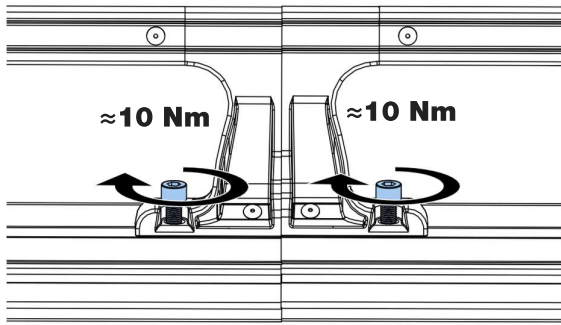
28.



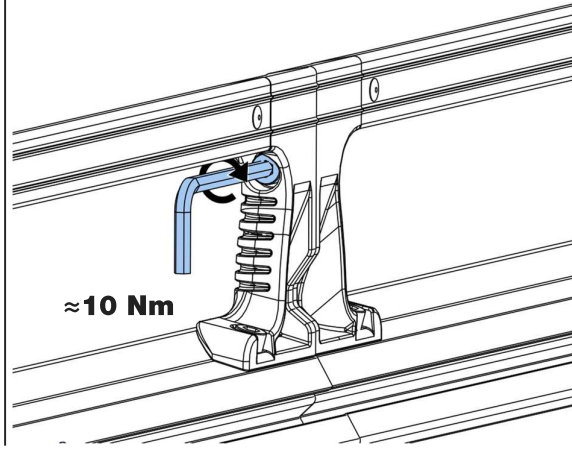
29.



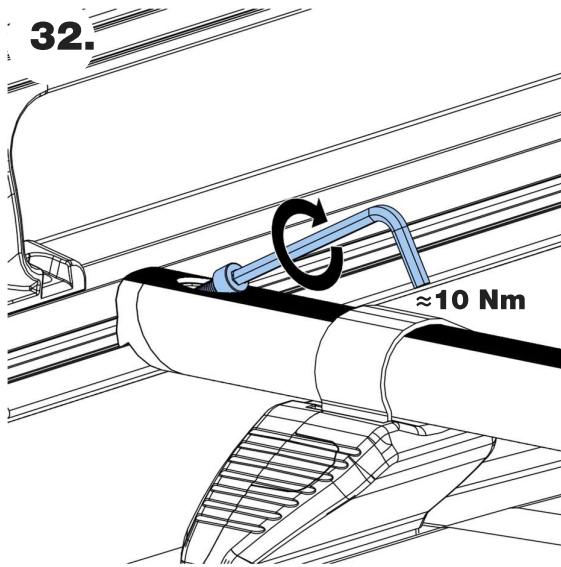
30.



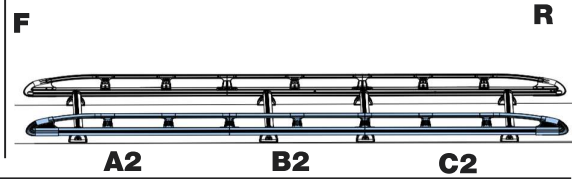
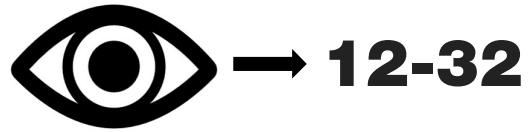
31.



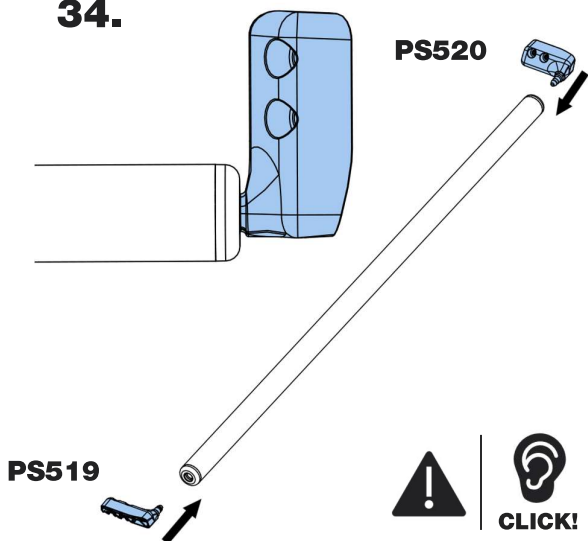
32.



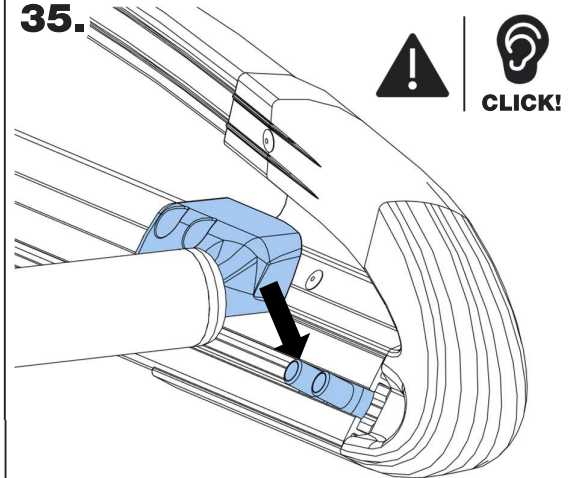
33.



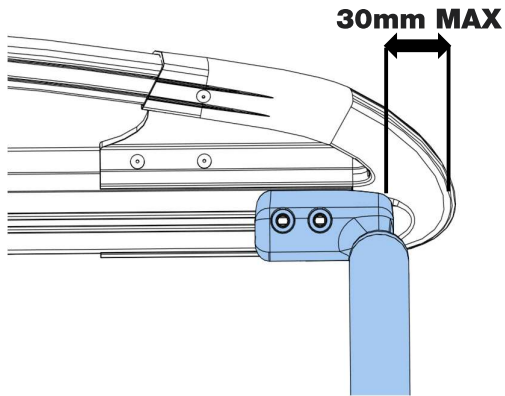
34.



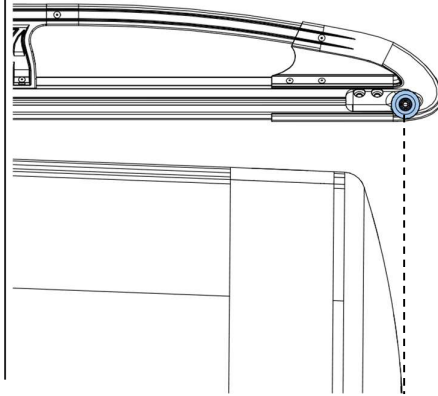
35.



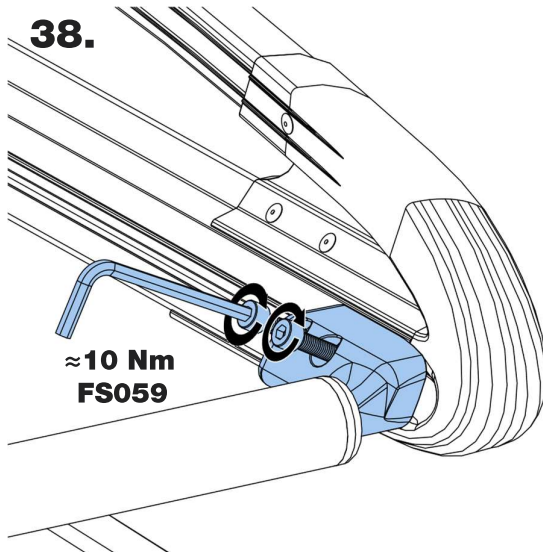
36.



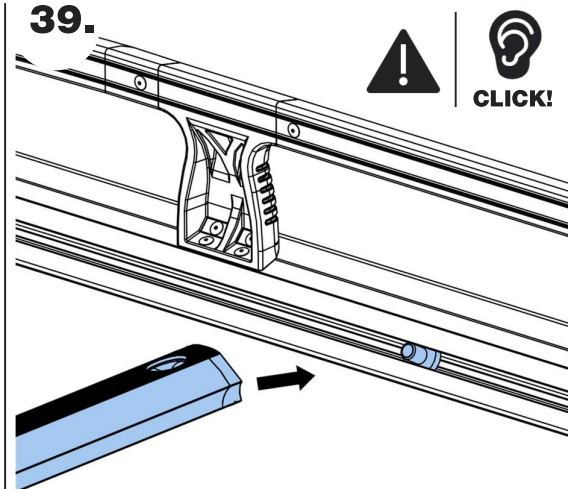
37.



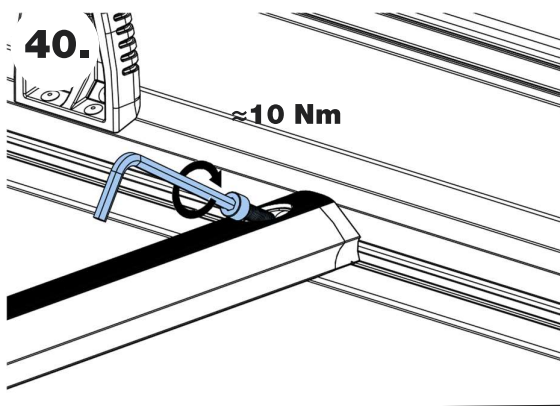
38.



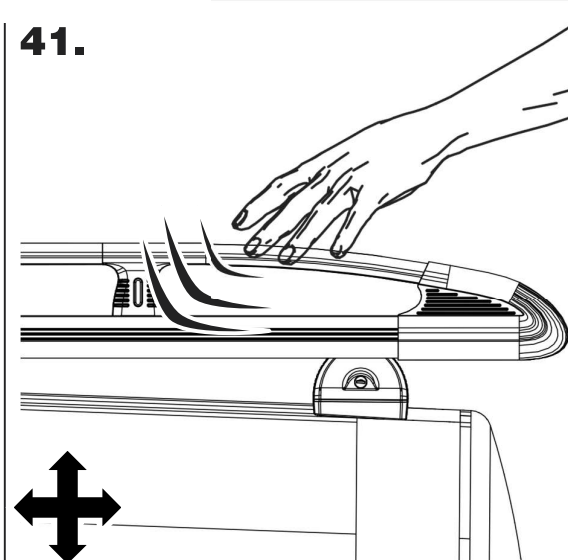
39.



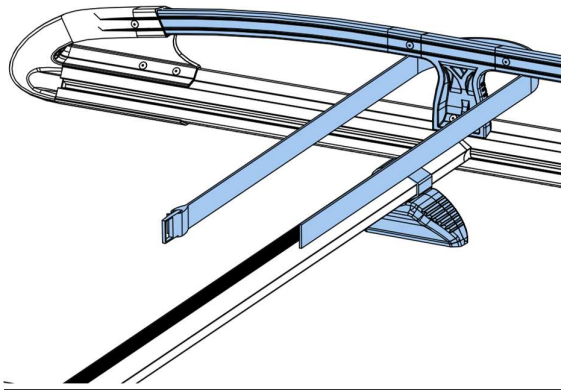
40.



41.



42.



43.

