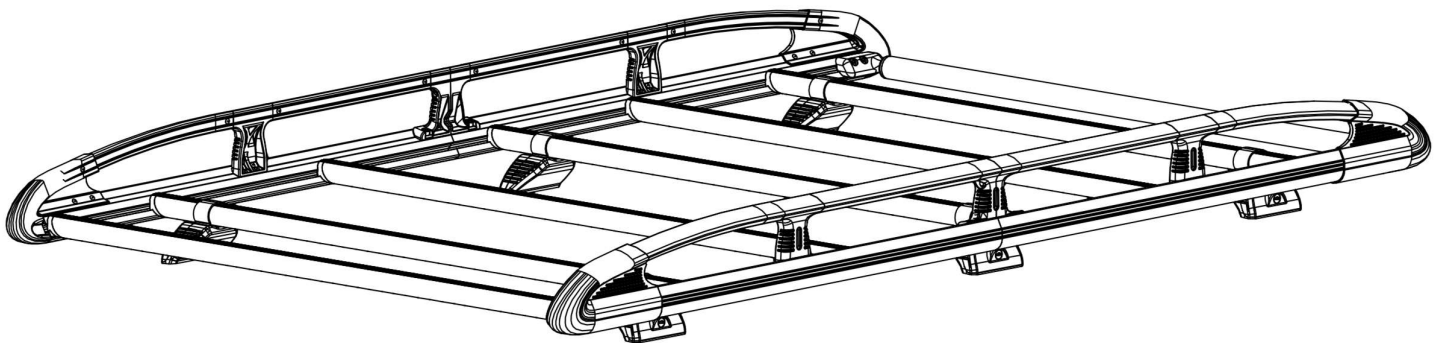


# KA3KR

# KammRack

## Instructions

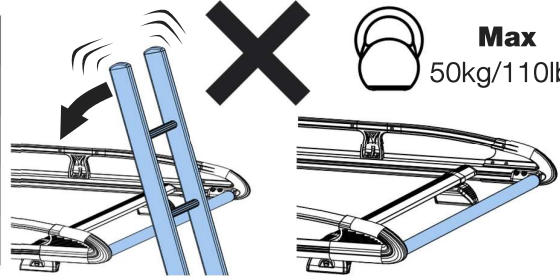
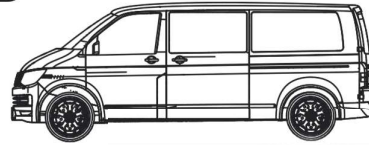


**CITY CRASH** (✓)

According to ISO/ PAS 11154:2006

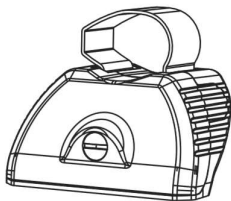
**KA3KR:**

VW Caddy, 2010–

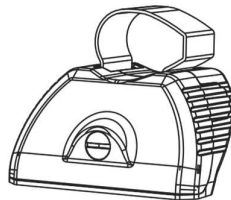


**Max**  
50kg/110lbs

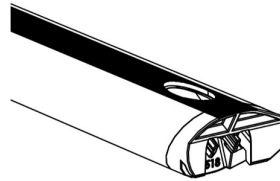
**KammRack**



**SA397U x 3**



**SA398U x 3**



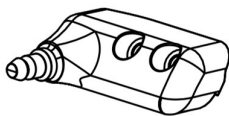
**SA428**



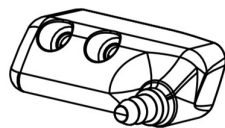
**C04 x 6**  
\*optional upgrade\*

**LHS x 2**

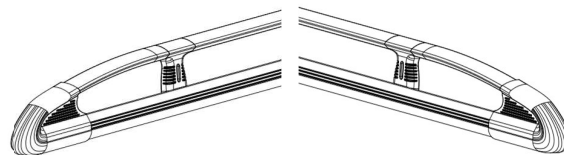
**RHS x 2**



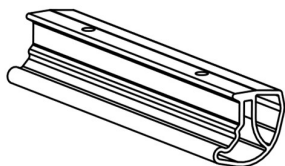
**PS519 x 1**



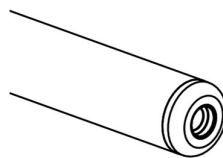
**PS520 x 1**



**ASF x 1**

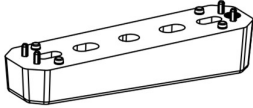


**EXT15-02 x 2**

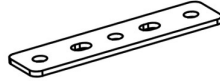


**SA436 x 1**

## Fitting Kit



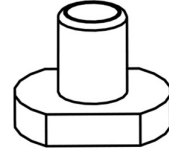
**PS176 x 4**



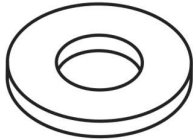
**PS023 x 6**



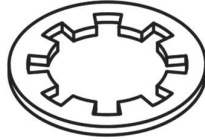
**FT01 x 1**



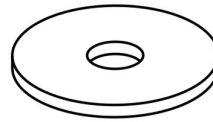
**FN085 x 14**



**FW002 (M8) x 6**



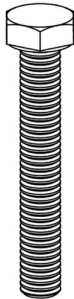
**FW009 (M8) x 6**



**PS260 (M8) x 6**



**FT05 x 1**



**FS081**   
**(M8 x 50) x 4**

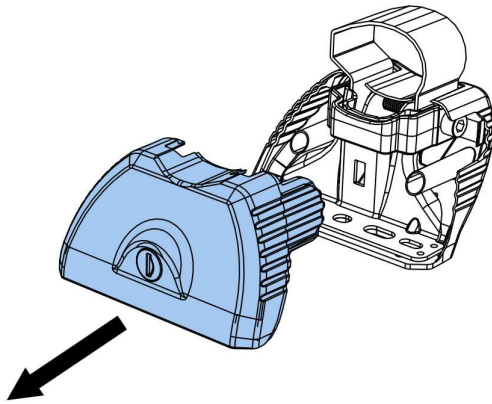


**FS062**   
**(M8 x 25) x 2**

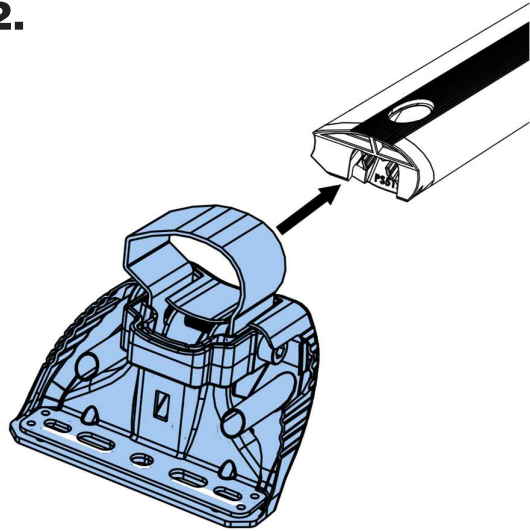


**FS059**   
**(M8 x 25) x 14**

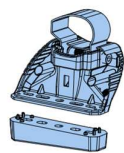
1.



2.



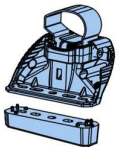
3.



SA397U  
PS176

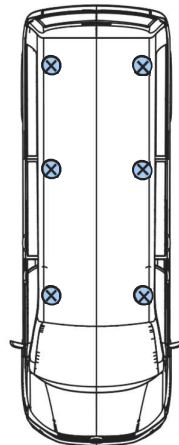


SA397U



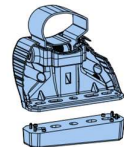
SA397U  
PS176

R



F

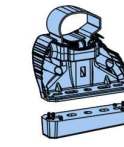
SA398U  
PS176



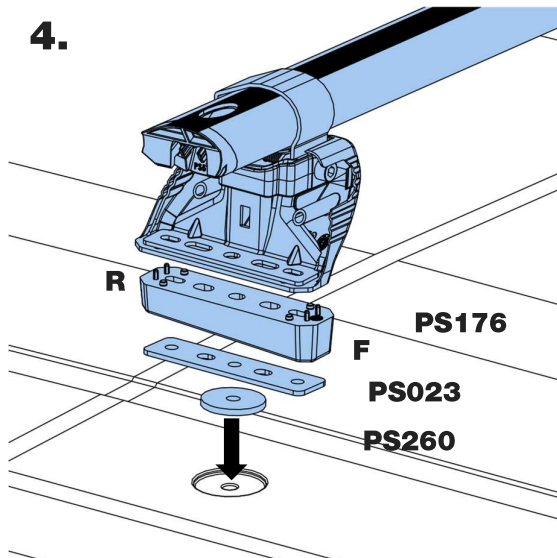
SA398U



SA398U  
PS176



4.

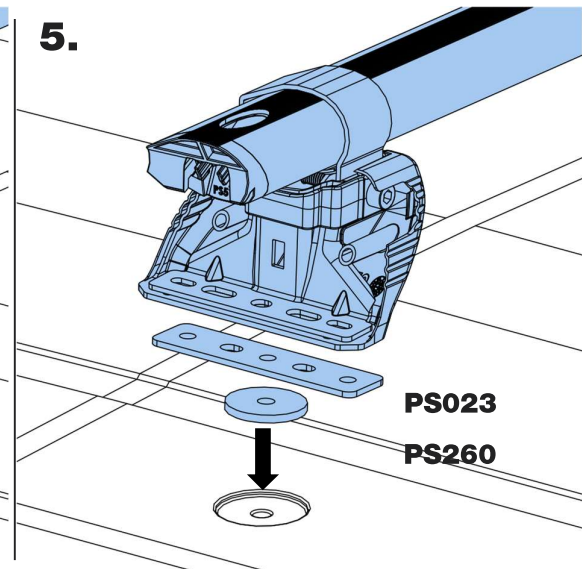


PS176

PS023

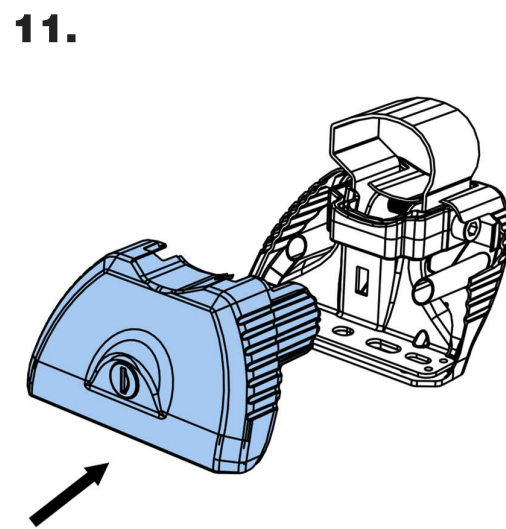
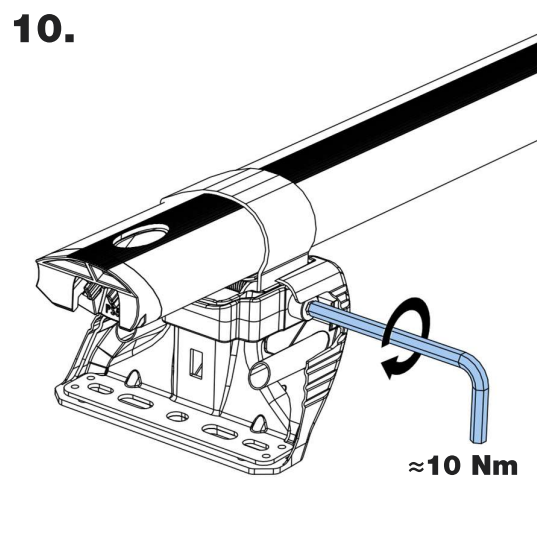
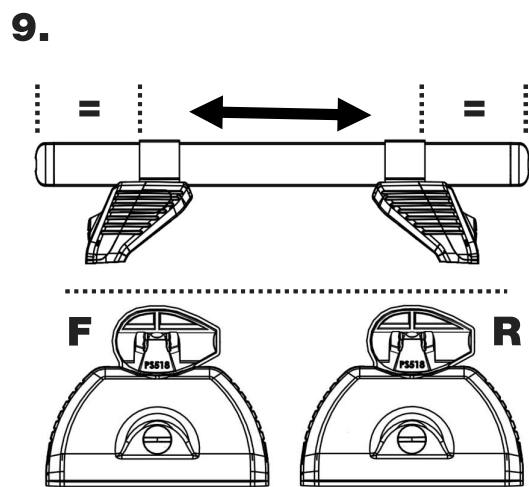
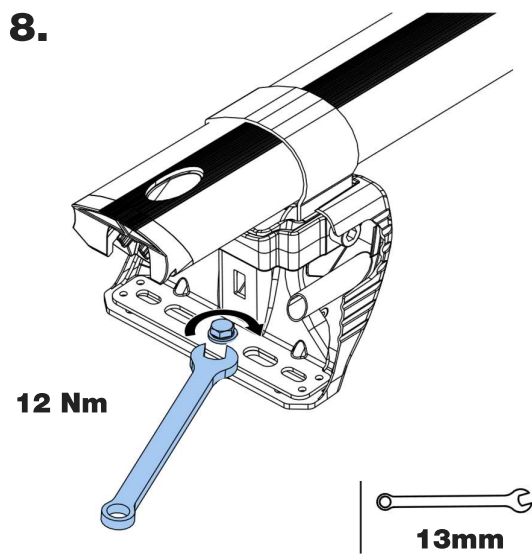
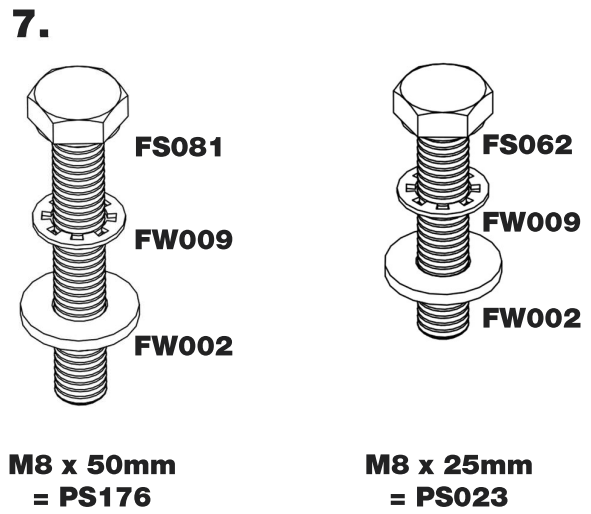
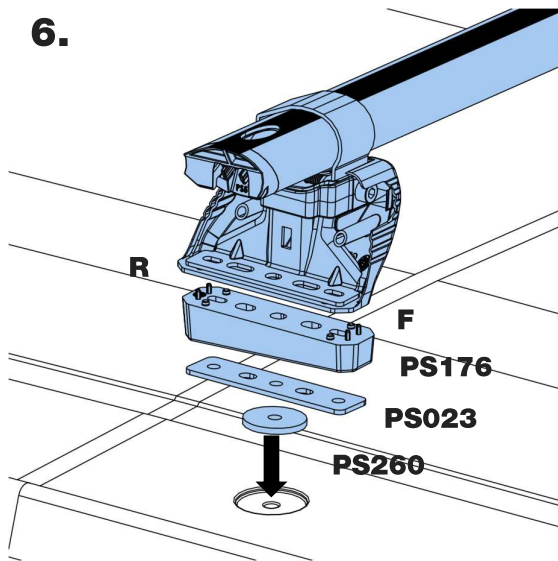
PS260

5.

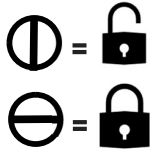
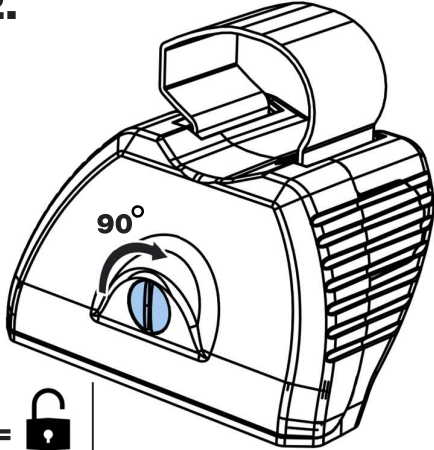


PS023

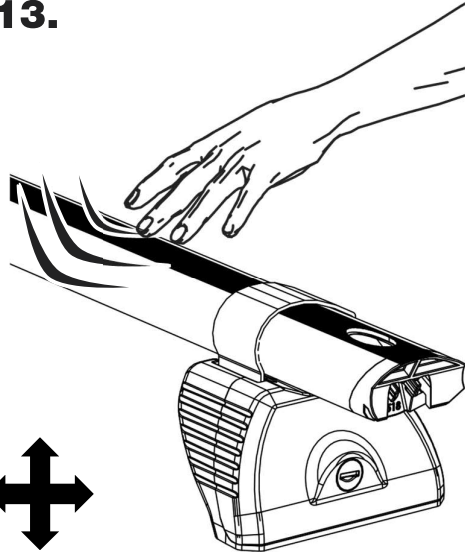
PS260



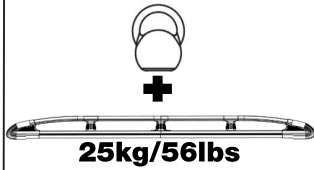
12.



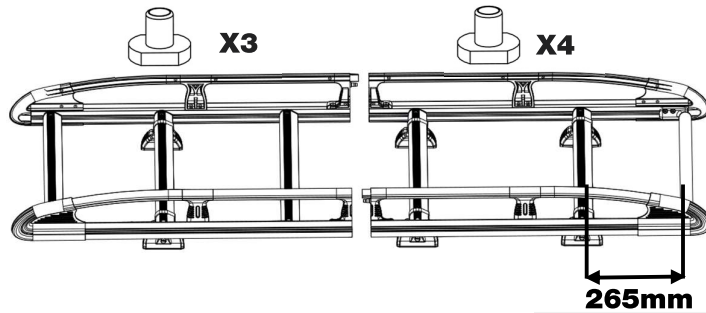
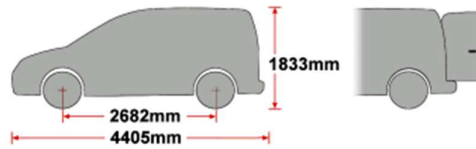
13.



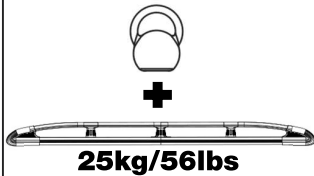
### K608- Caddy 2010- L1, H1, Twin Doors



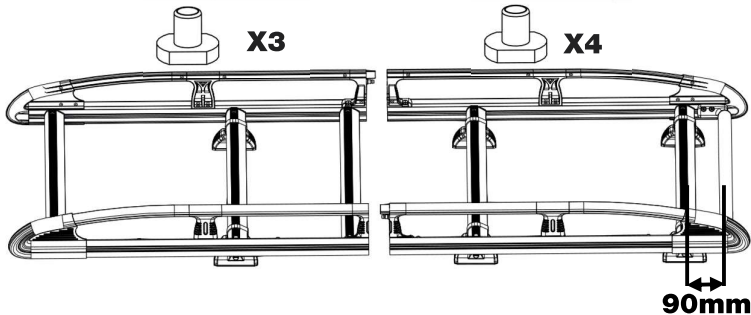
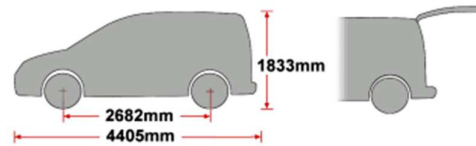
**= 100kg Max**



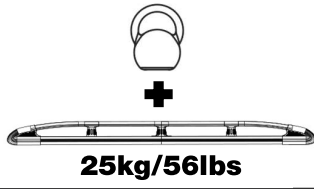
### K609- Caddy 2010-2015- L1, H1, Tailgate



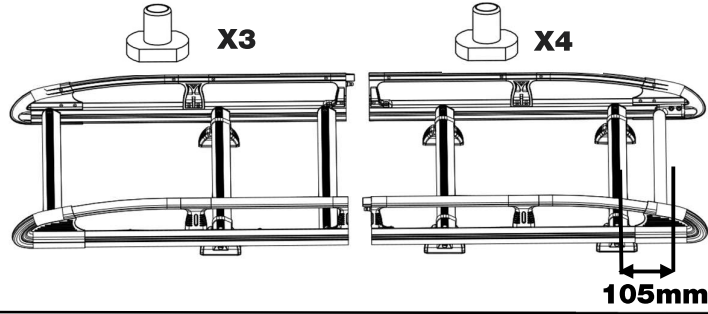
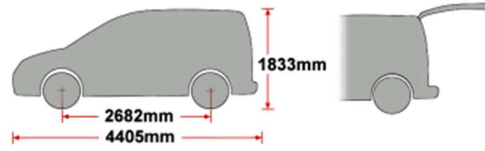
**= 100kg Max**



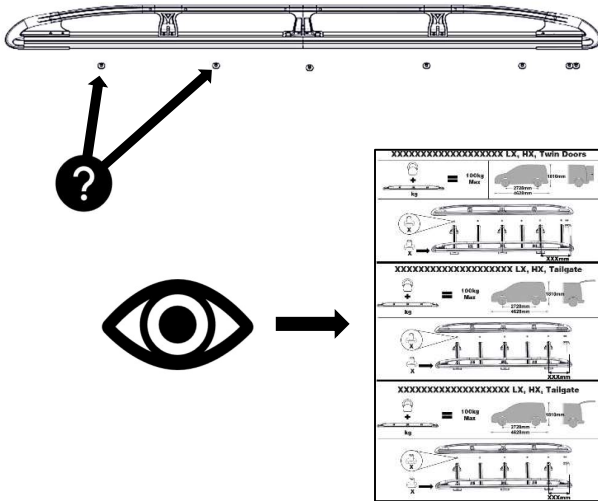
# K609- Caddy 2015- L1, H1, Tailgate



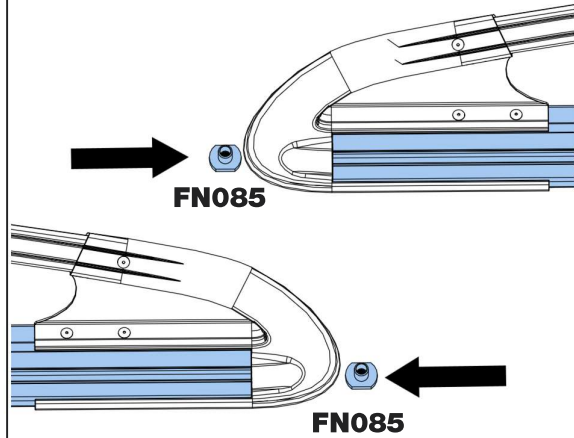
100kg  
Max



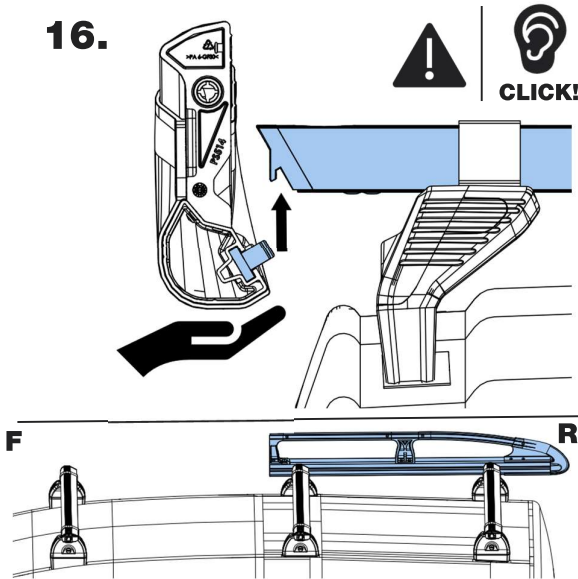
14.



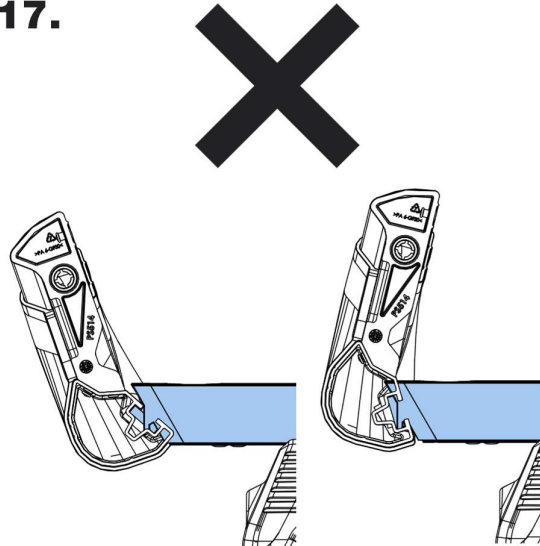
15.



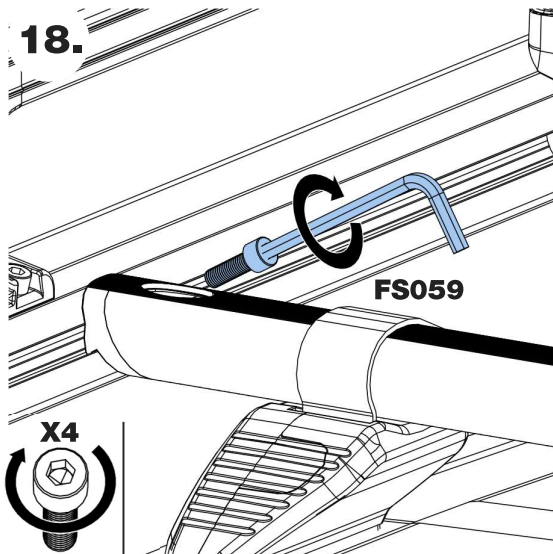
16.



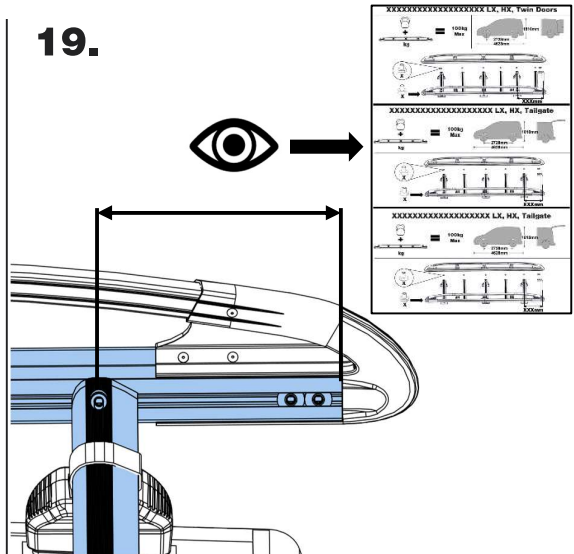
17.



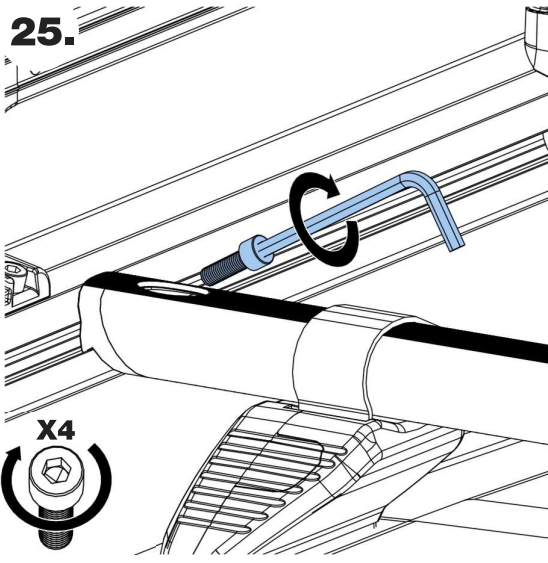
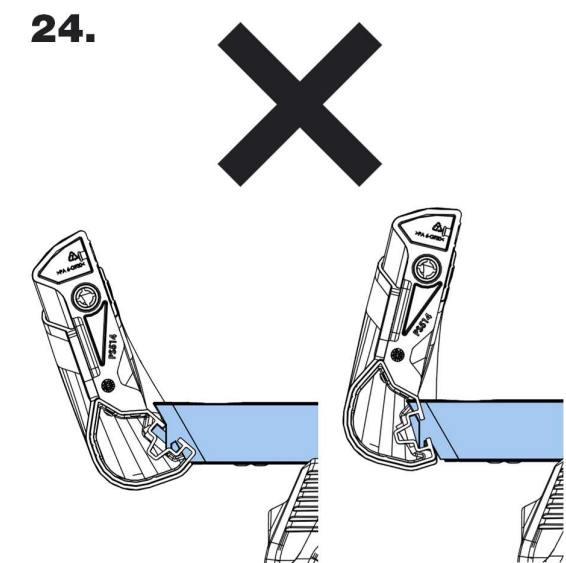
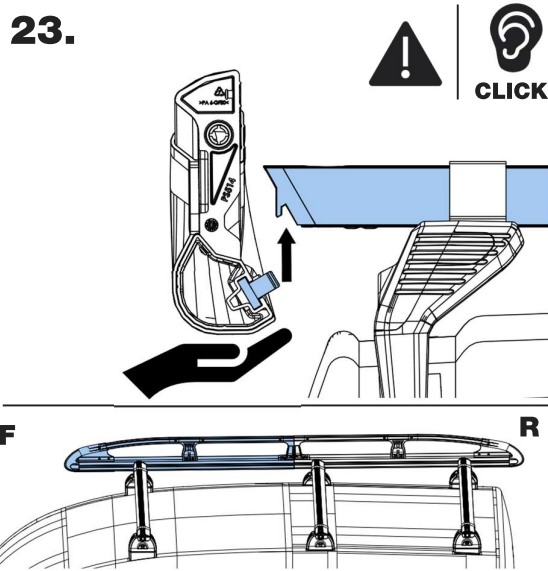
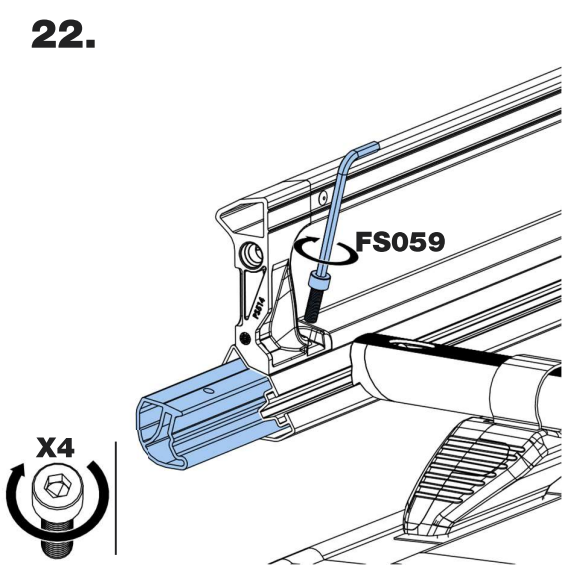
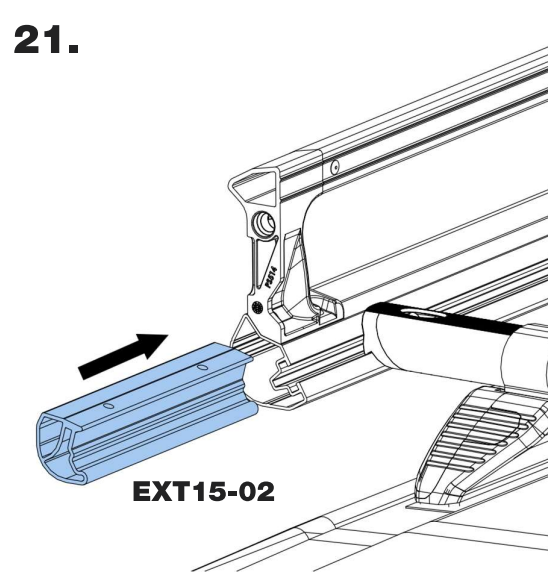
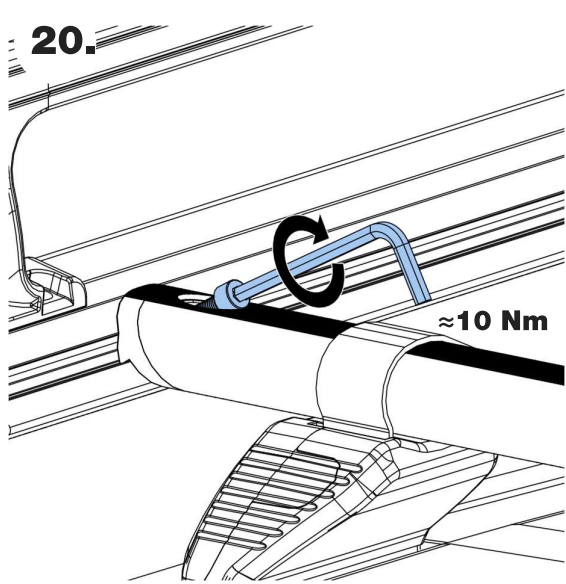
18.



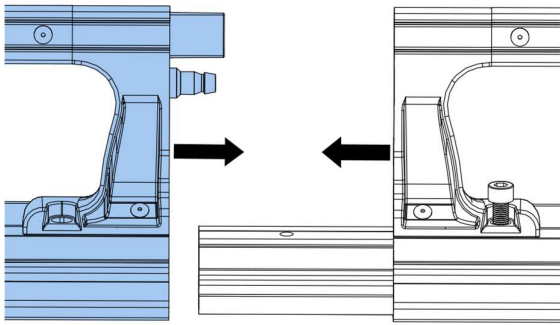
19.



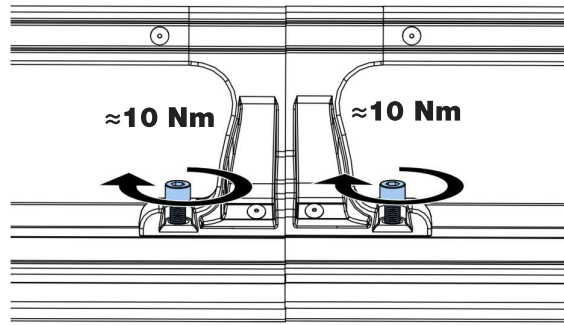




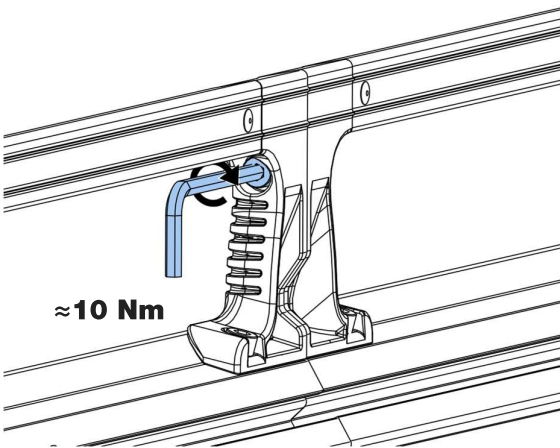
26.



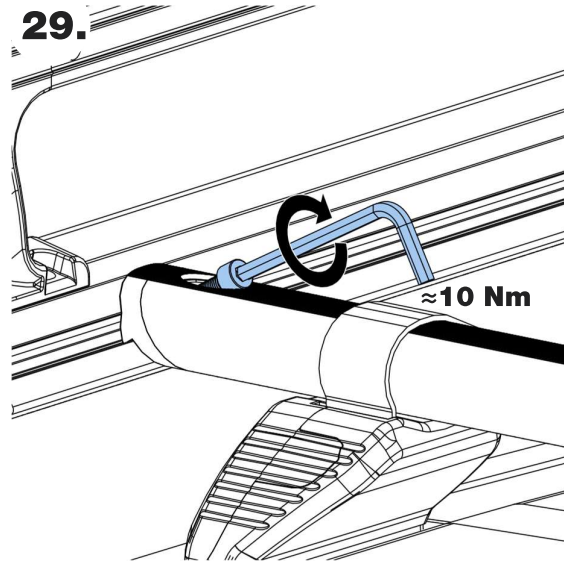
27.



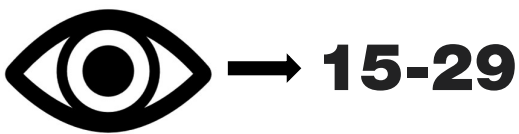
28.



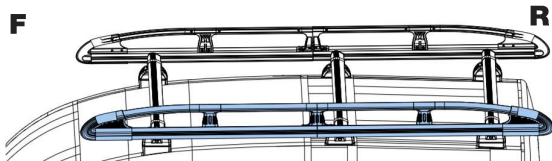
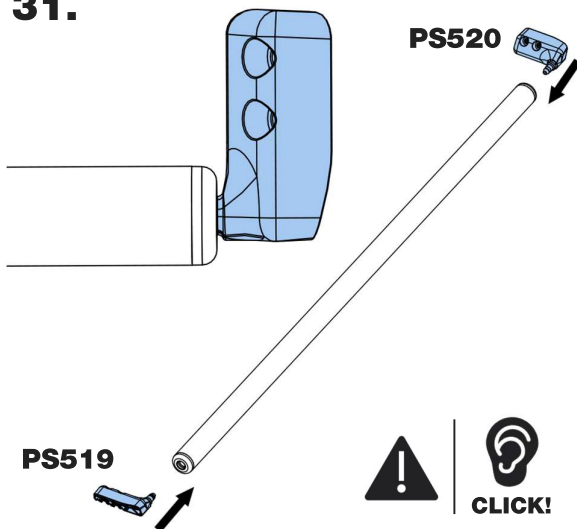
29.

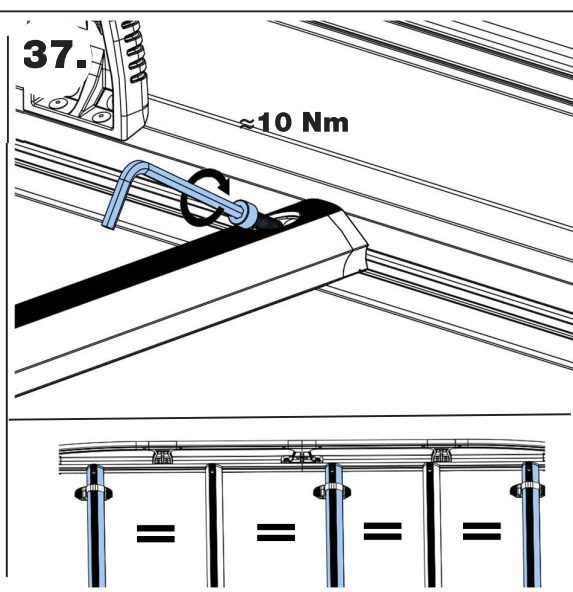
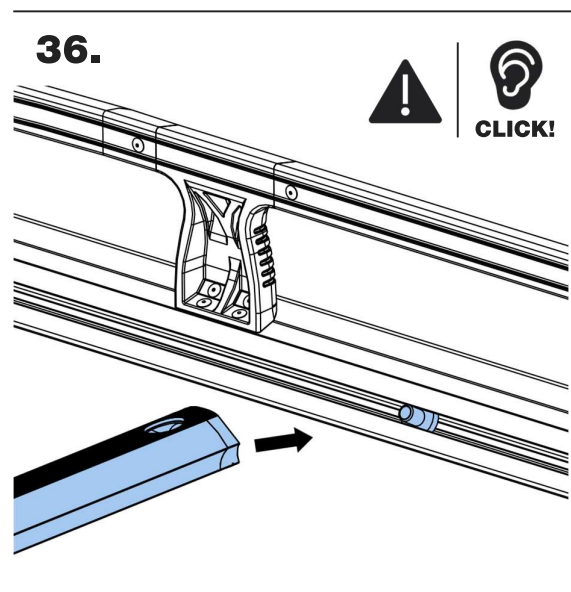
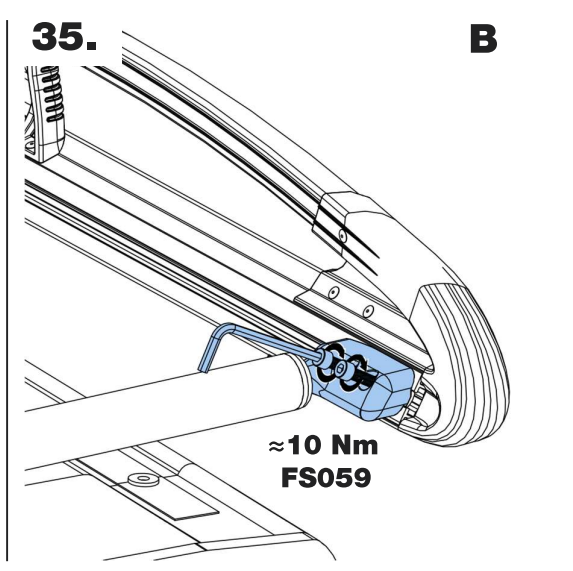
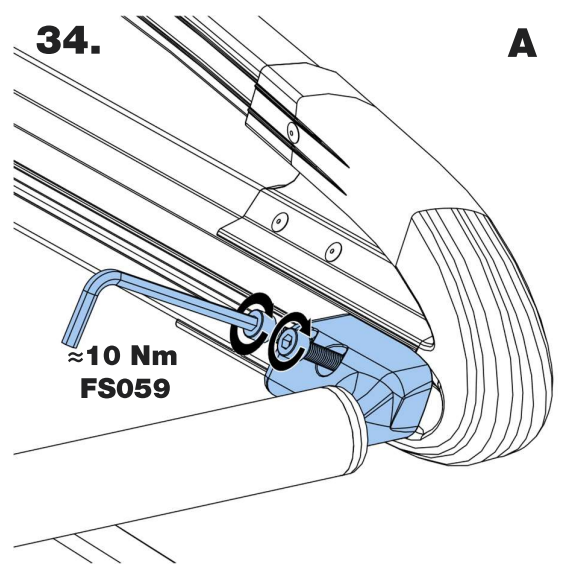
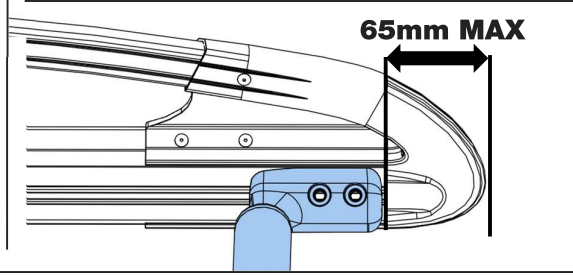
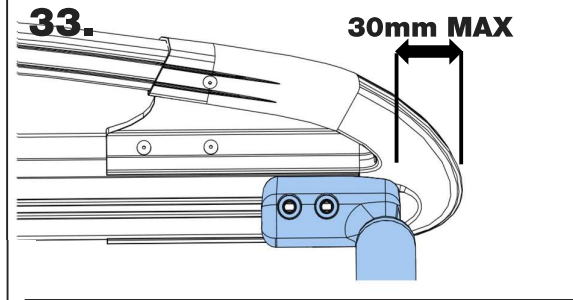
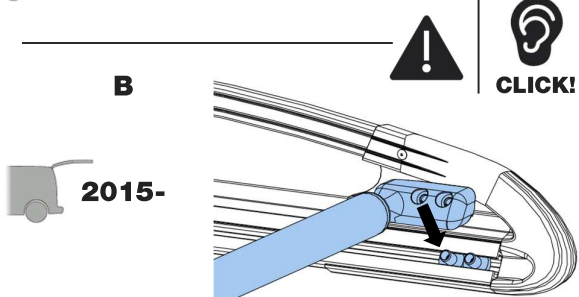
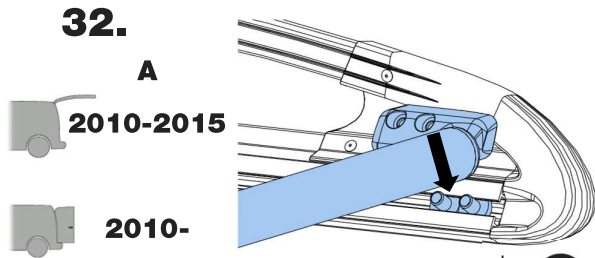


30.

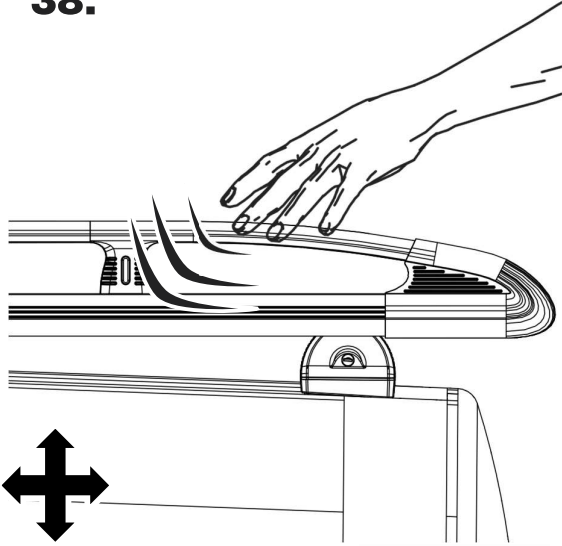


31.

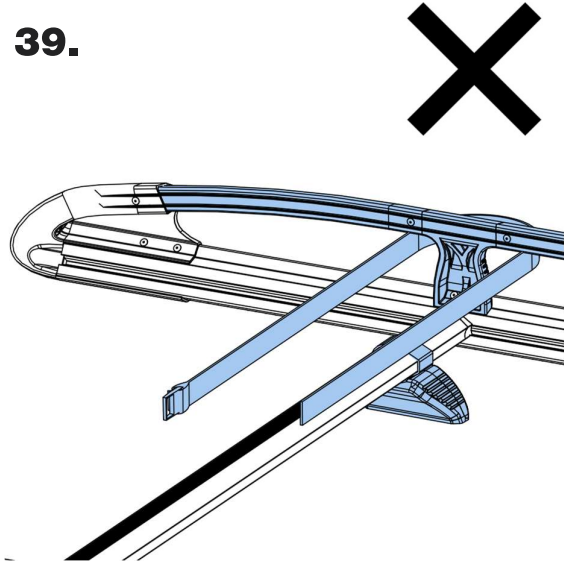




38.



39.



40.

