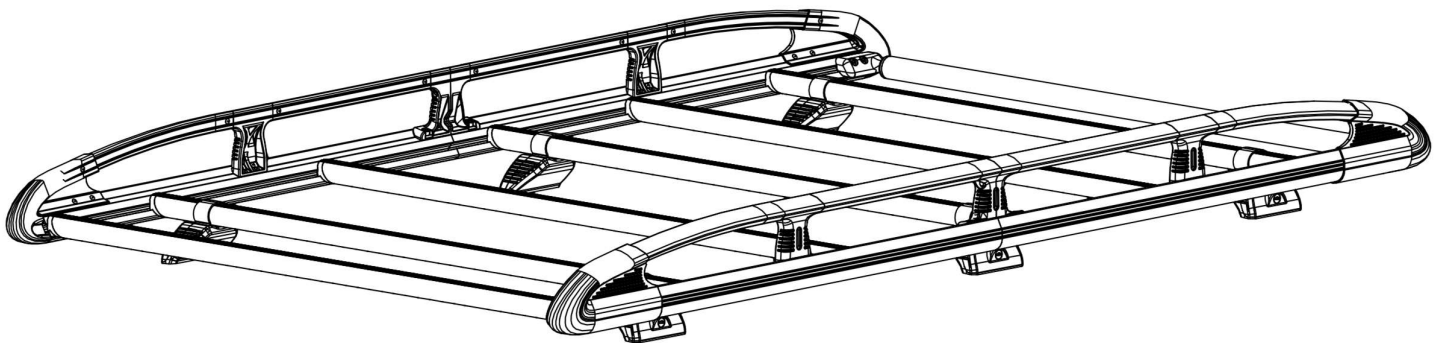


KB3KR

KammRack

Instructions

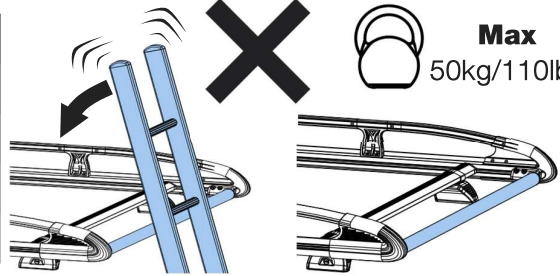
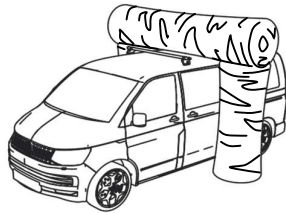
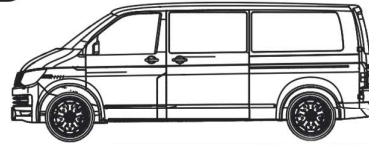


CITY CRASH (✓)

According to ISO/ PAS 11154:2006

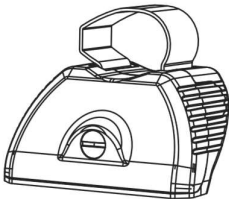
KB3KR:

MERCEDES CITAN 2012-
NISSAN NV200 2009-
RENAULT KANGOO 2008-

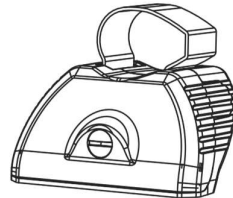


Max
50kg/110lbs

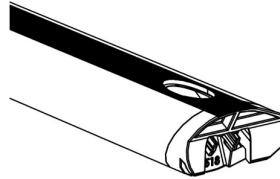
KammRack



SA397U x 3



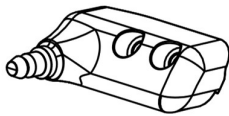
SA398U x 3



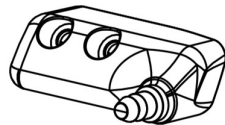
SA428



C04 x 6
optional upgrade



PS519 x 1



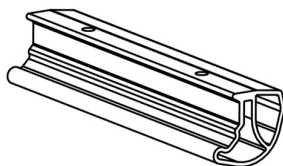
PS520 x 1

LHS x 2

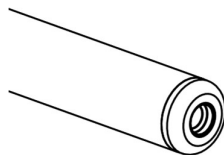
RHS x 2



ASF x 1

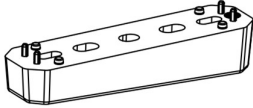


EXT15-02 x 2

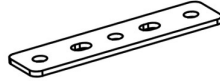


SA436 x 1

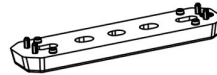
Fitting Kit



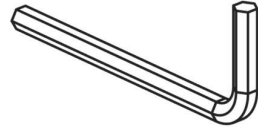
PS176 x 4



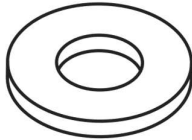
PS023 x 6



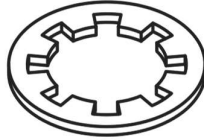
PS178 x 2



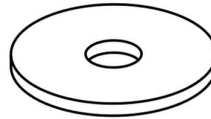
FT01 x 1



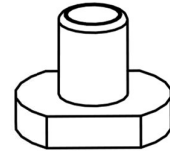
FW002 (M8) x 6



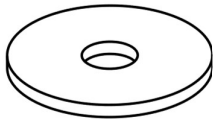
FW009 (M8) x 6



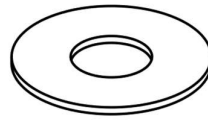
PS260 (M8) x 6



FN085 x 16



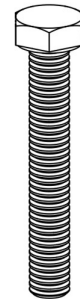
PS208 (M8) x 6



PS153 (M8) x 6



FS061
(M8 x 35) x 2



FS081
(M8 x 50) x 4

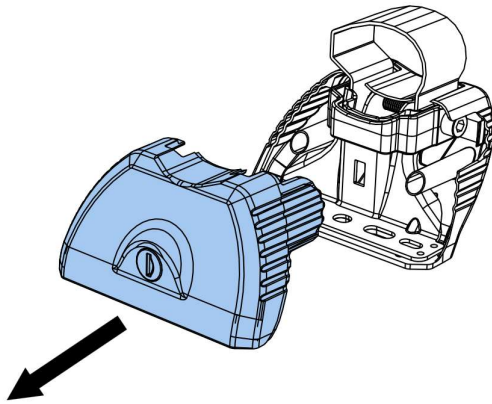


FS059
(M8 x 25) x 16

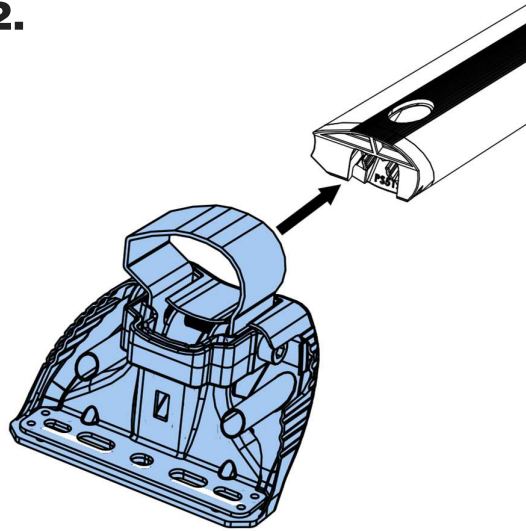


FT05 x 1

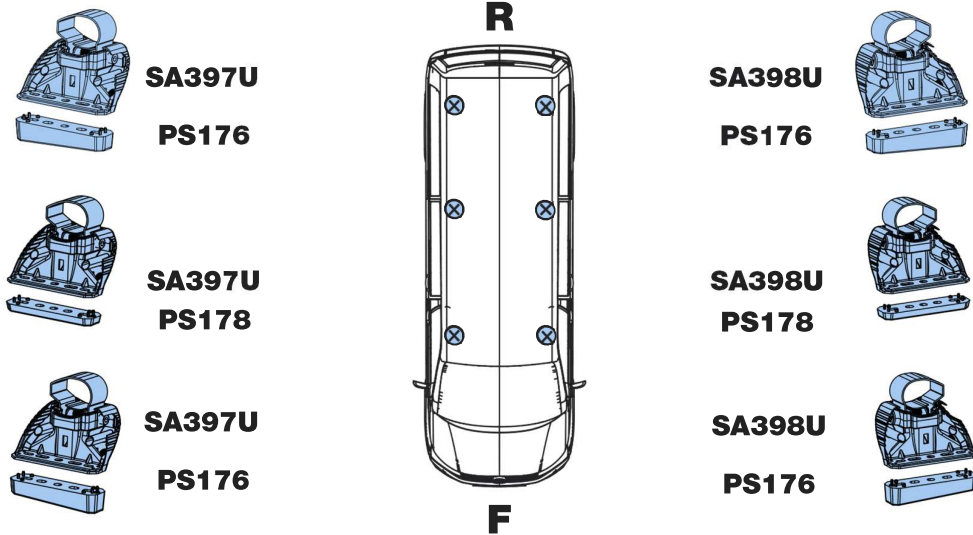
1.



2.



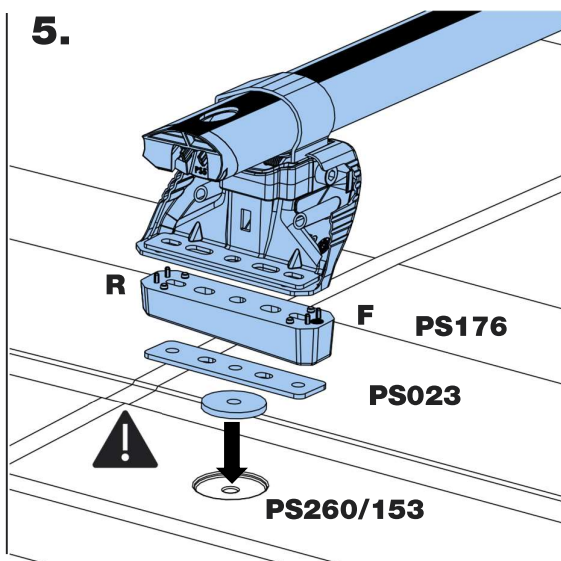
3.

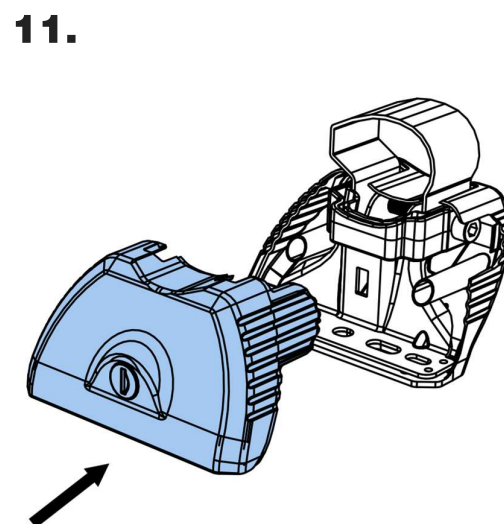
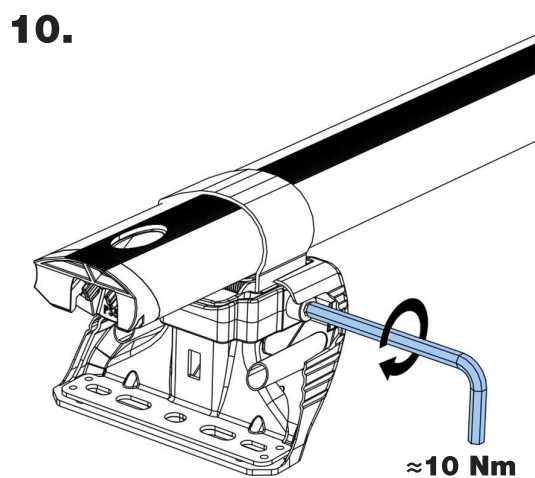
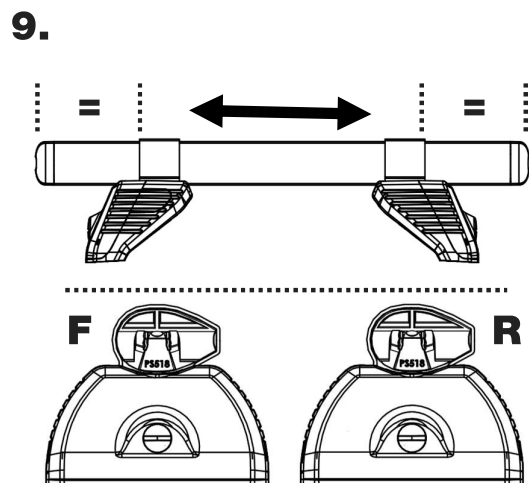
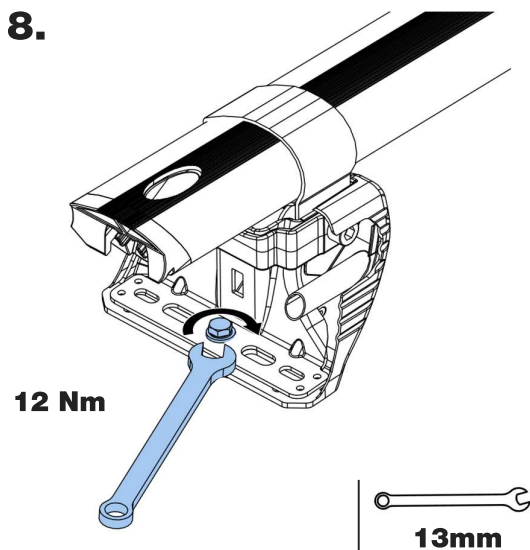
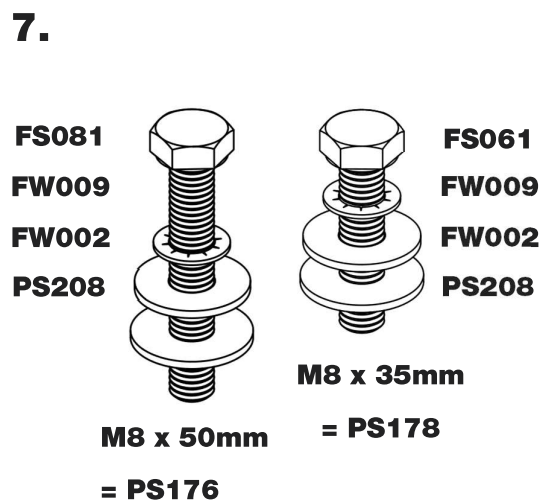
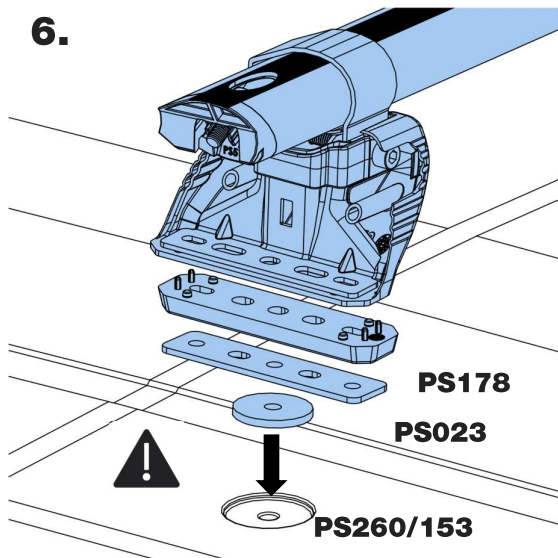


4.

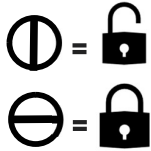
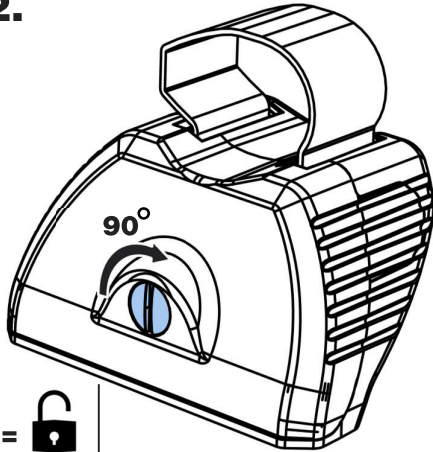
MODEL	PS153	PS260
Kangoo	✓	✗
NV200	✗	✗
Citan	✓	✗
Caddy Maxi	✗	✓

5.

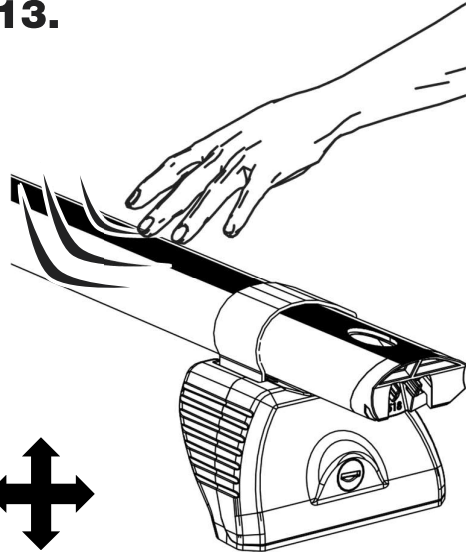




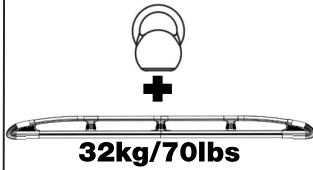
12.



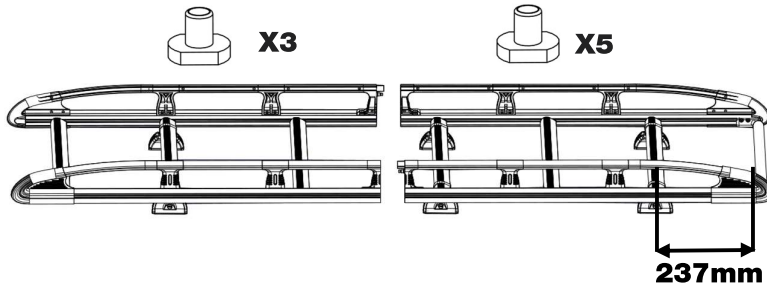
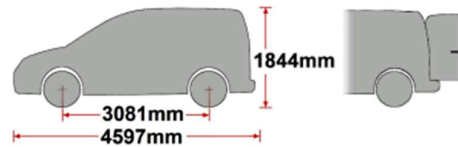
13.



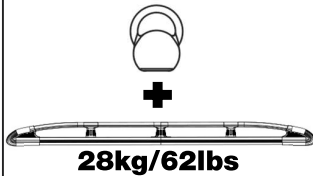
K598- Renault Kangoo Maxi 2008-, Mercedes Citan L3 2012-, Twin Doors



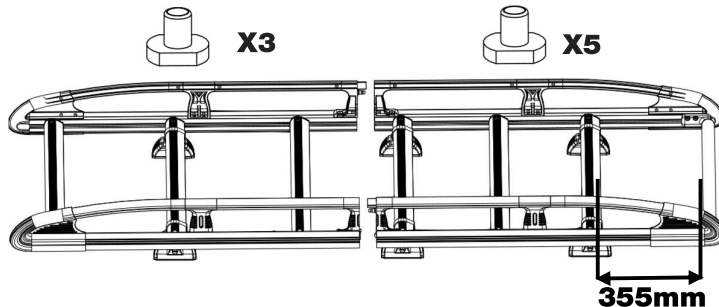
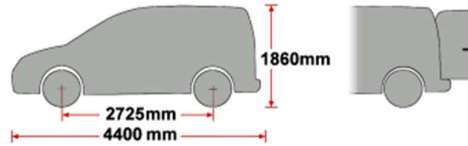
100kg Max



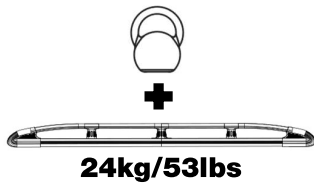
K599- Nissan NV200 Twin Doors



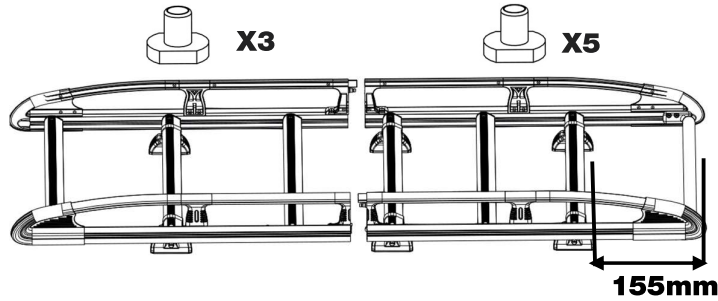
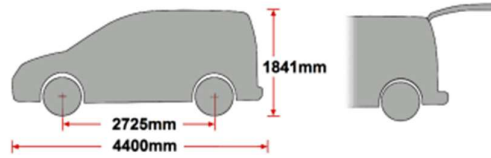
100kg Max



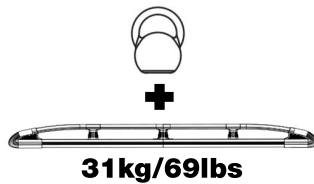
K617- Nissan NV200 Tailgate



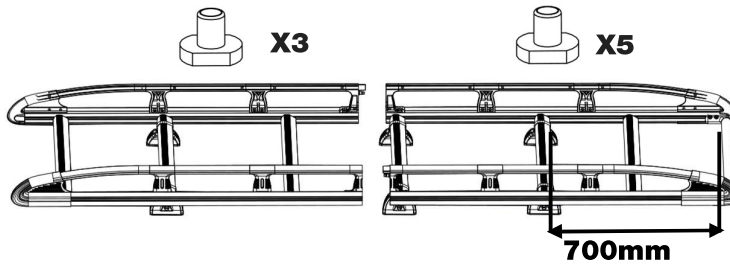
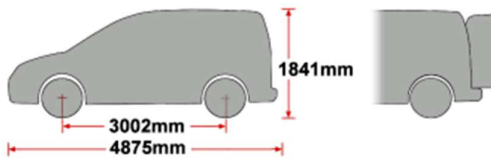
100kg Max



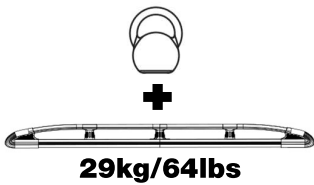
K586- VW Caddy Maxi 2007-2010 Standard Roof, Twin Doors



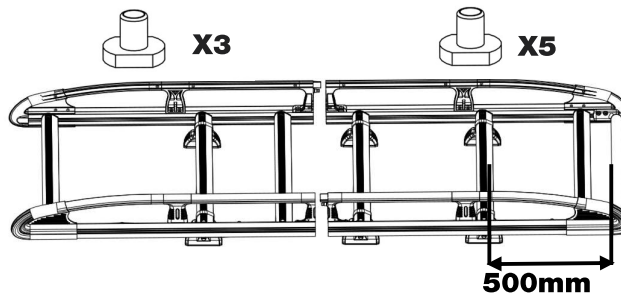
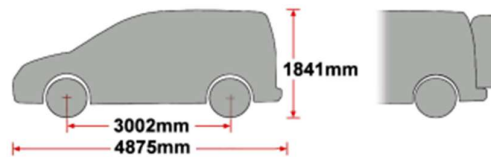
100kg Max



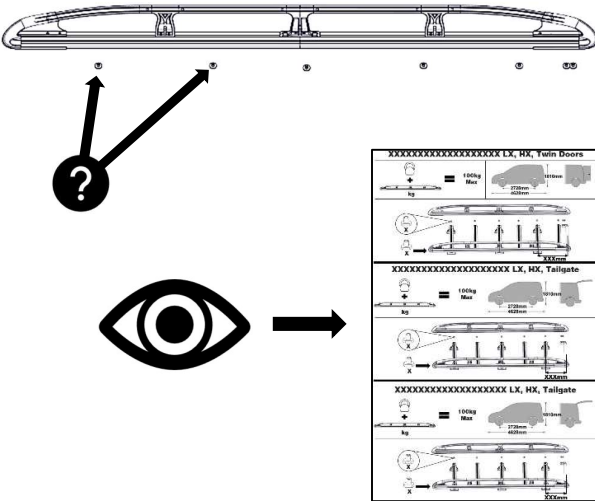
K595- VW Caddy Maxi 2007-2010 Standard Roof, Tailgate



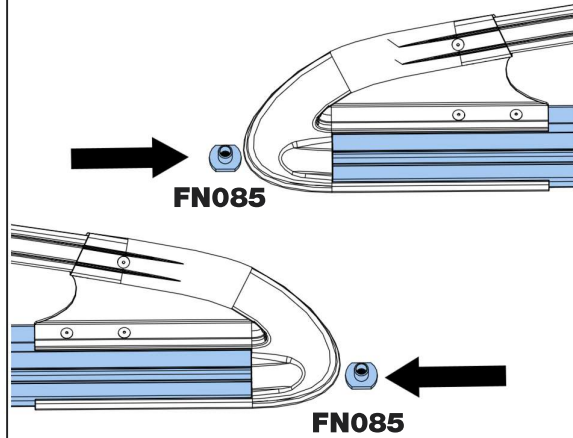
100kg Max



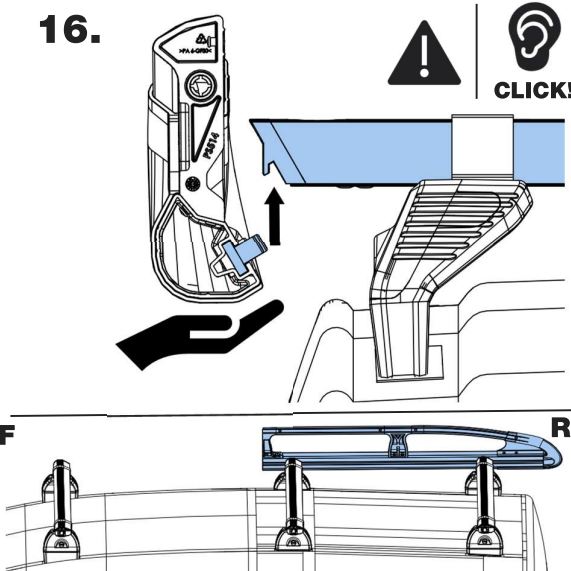
14.



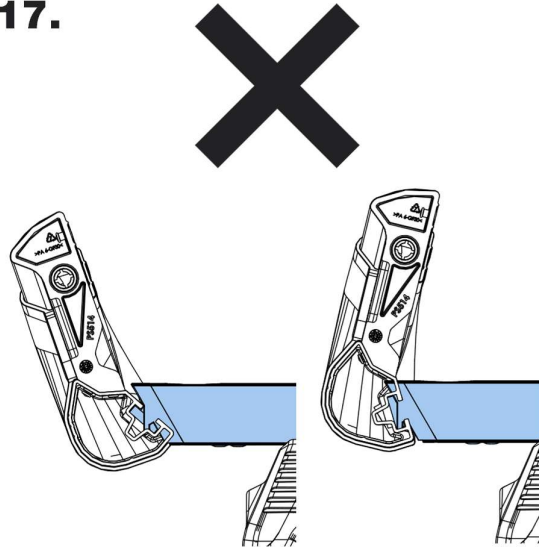
15.



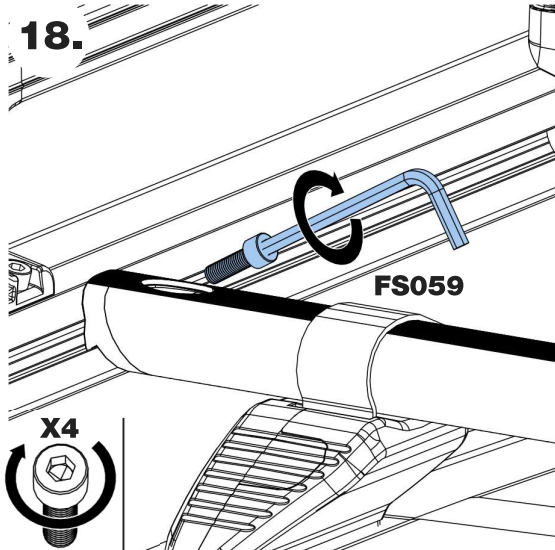
16.



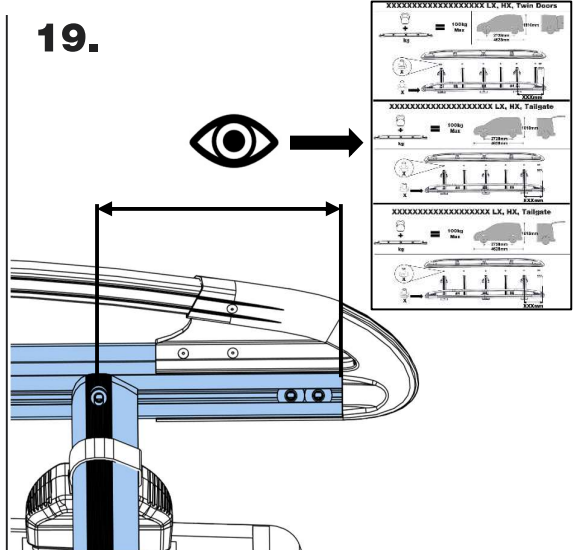
17.

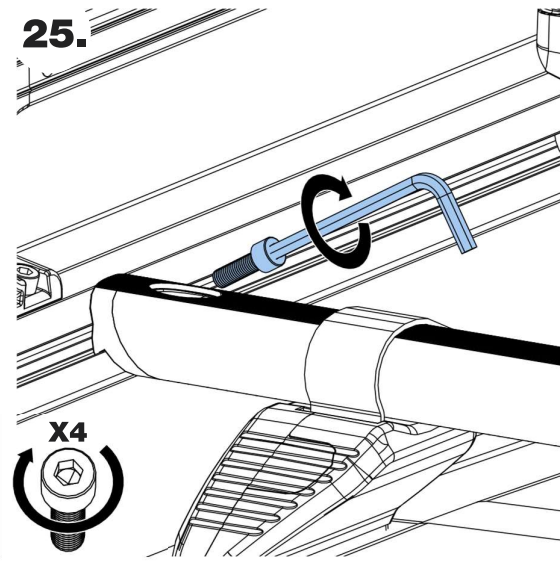
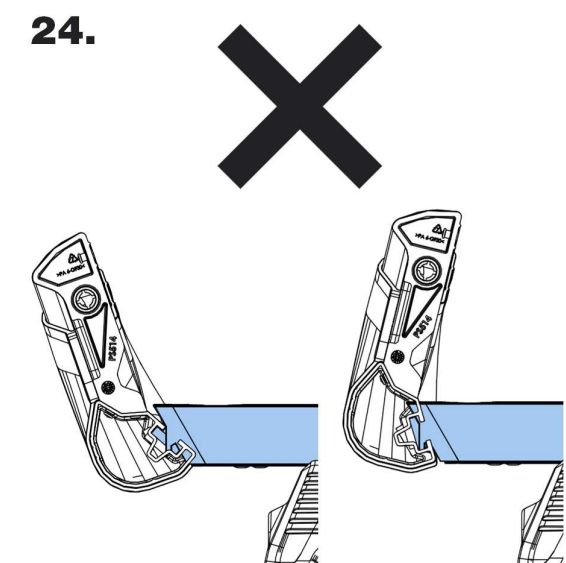
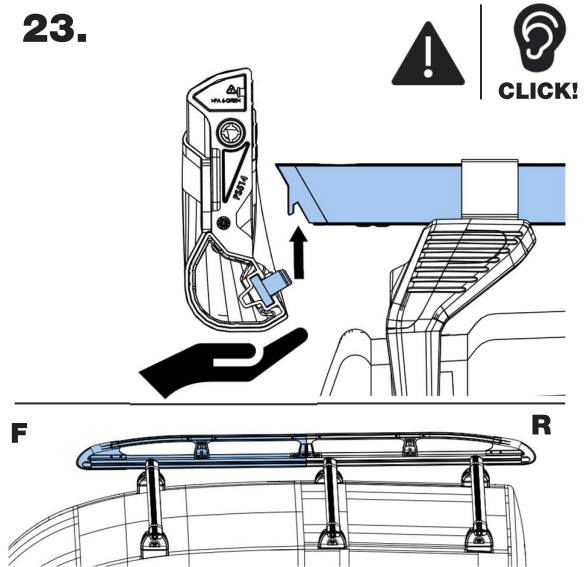
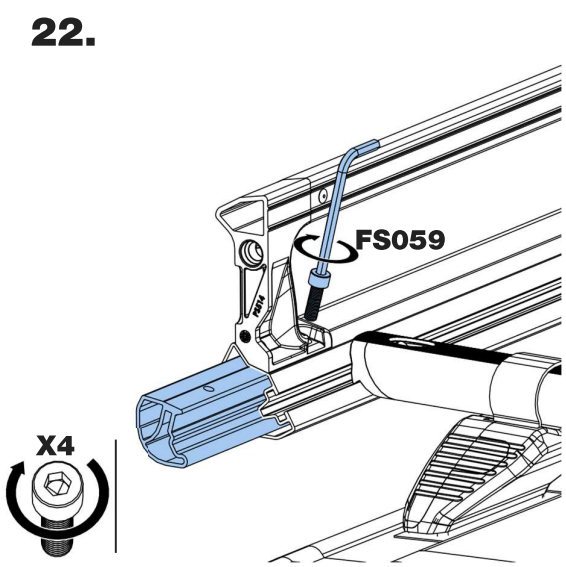
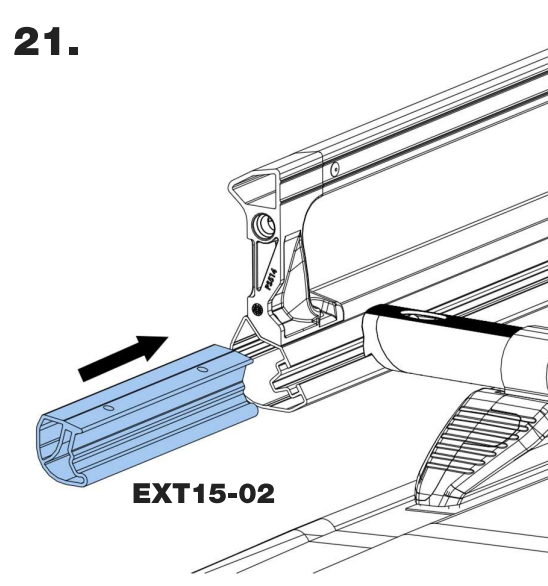
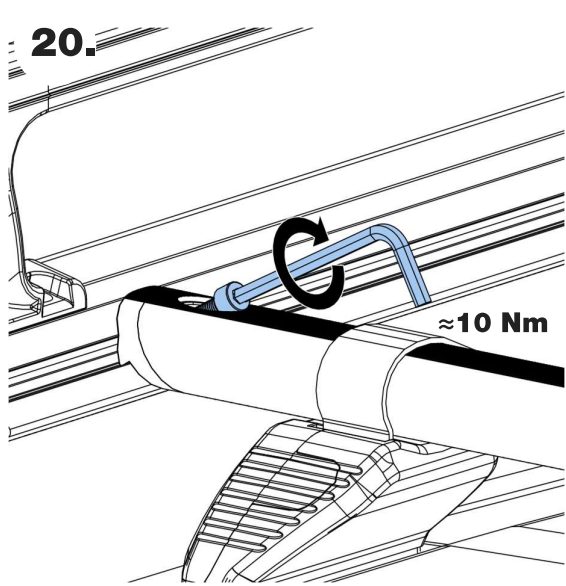


18.

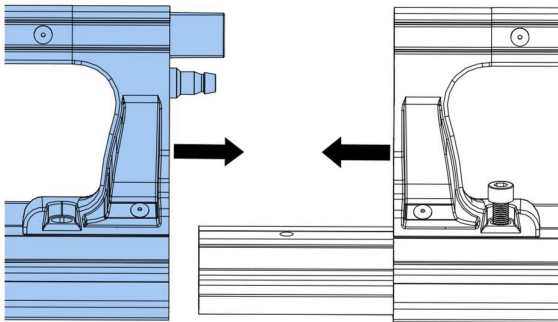


19.

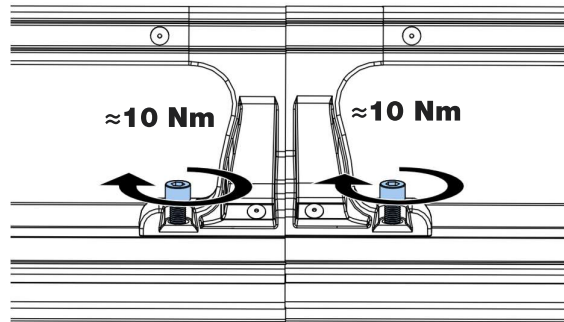




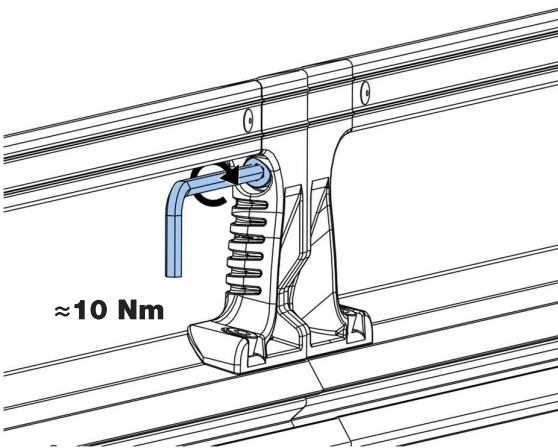
26.



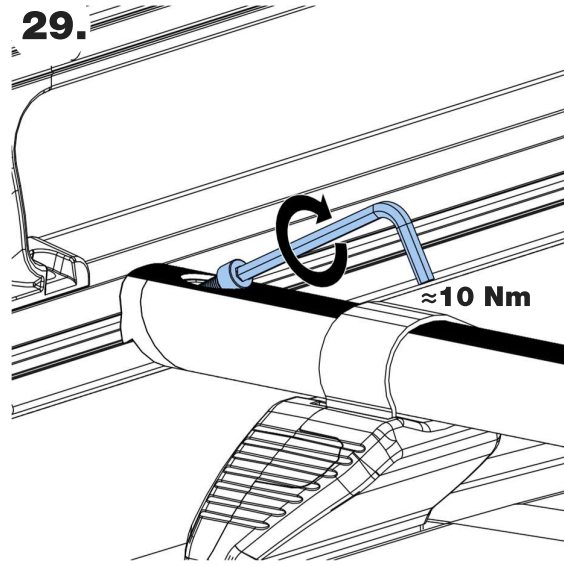
27.



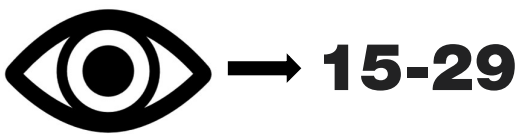
28.



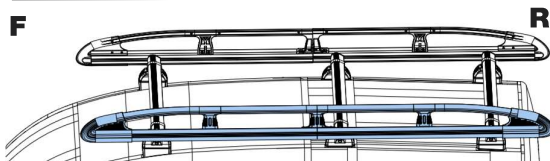
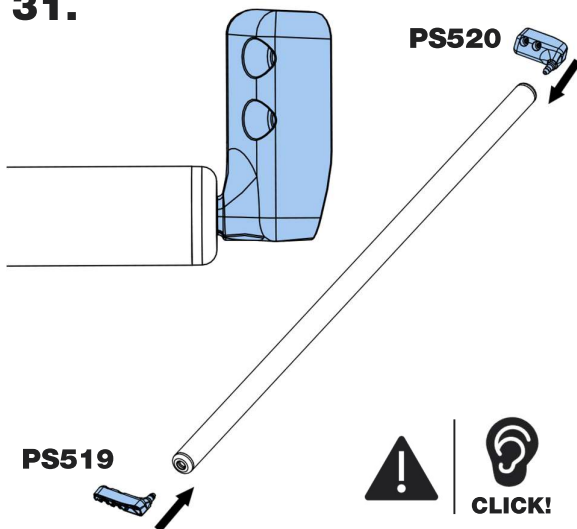
29.



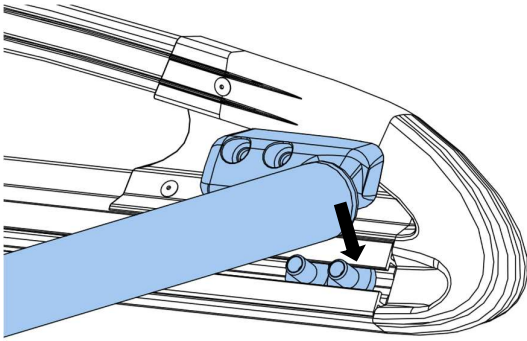
30.



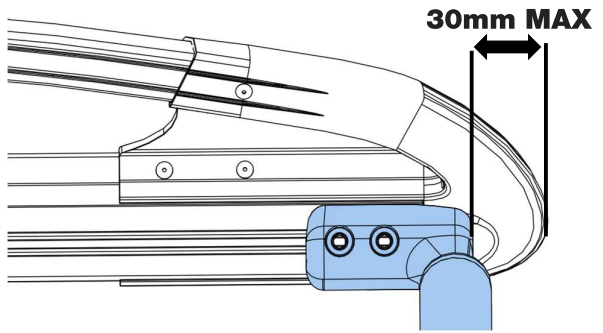
31.



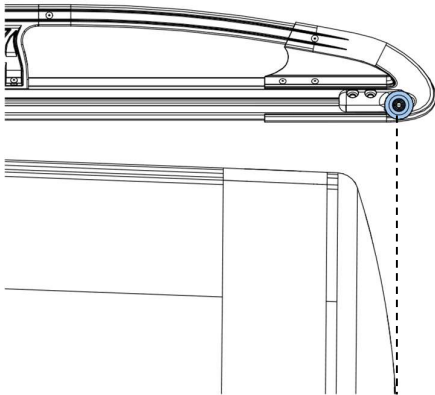
32.



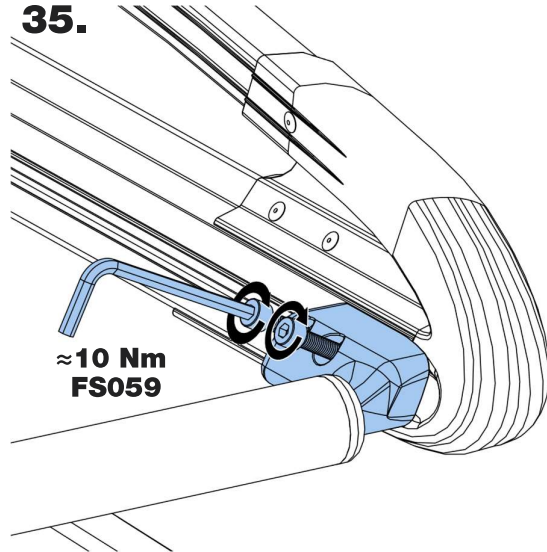
33.



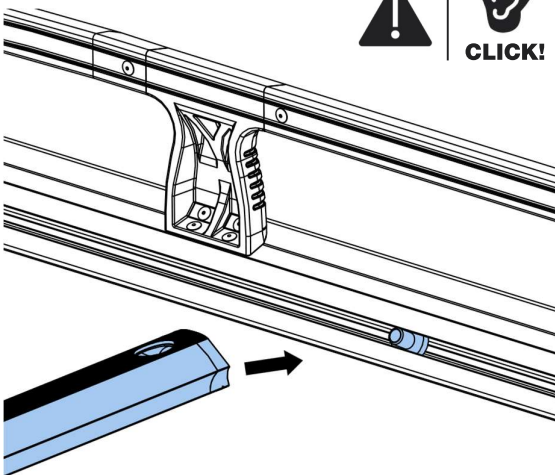
34.



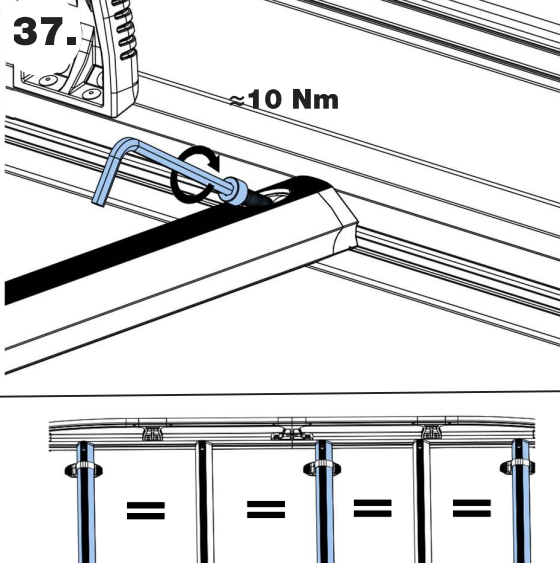
35.



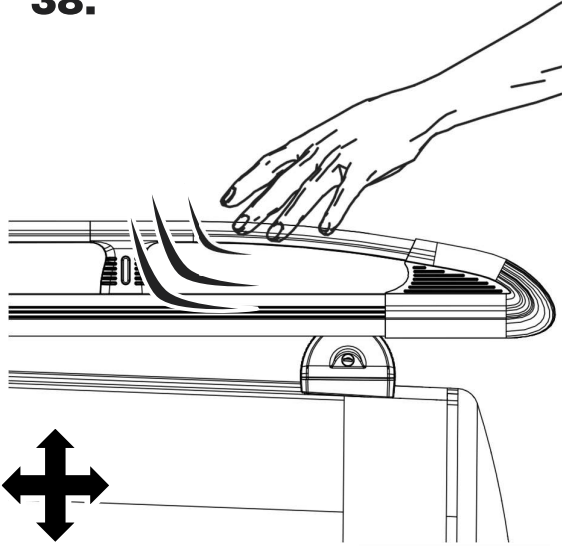
36.



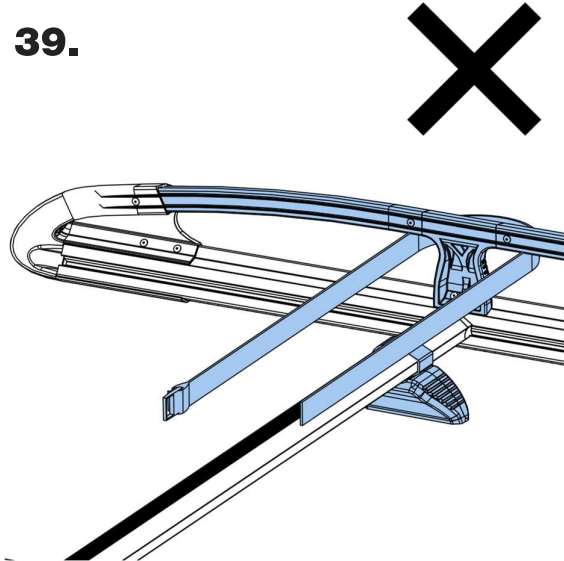
37.



38.



39.



40.

