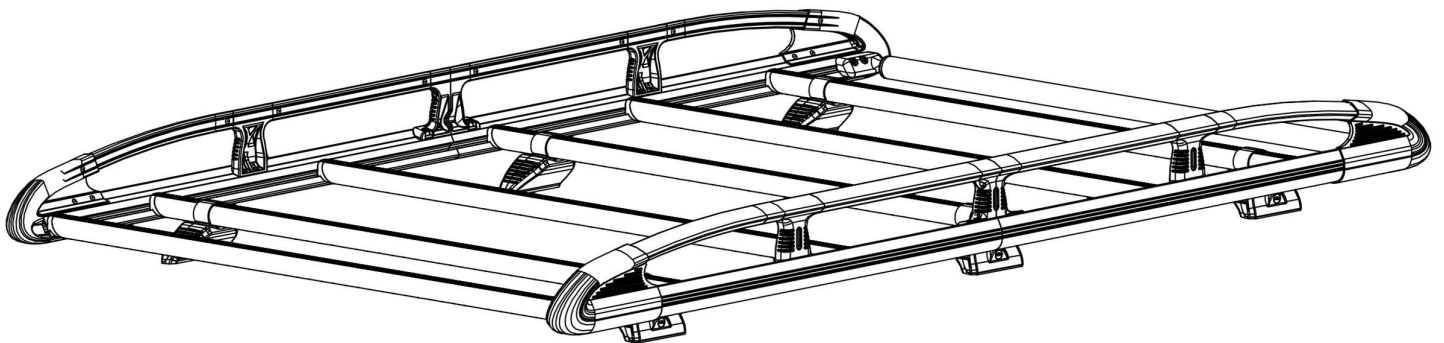


# TC3KR

# KammRack

## Instructions

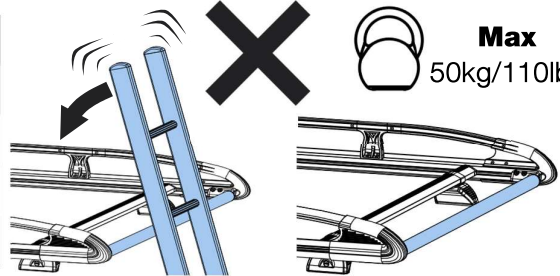
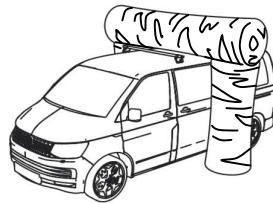
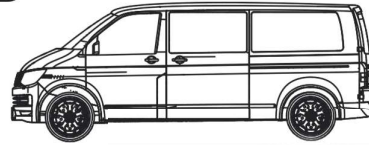


**CITY CRASH** (✓)

According to ISO/ PAS 11154:2006

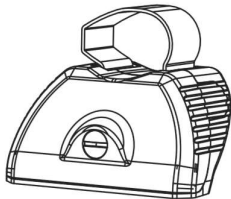
**TC3KR:**

**Ford** Transit 2014-

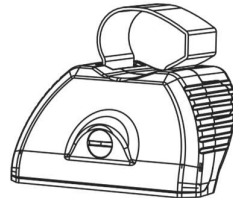


**Max**  
50kg/110lbs

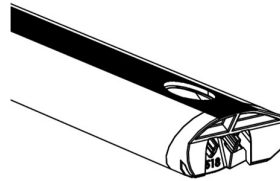
**KammRack**



**SA397U x 3**



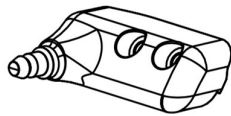
**SA398U x 3**



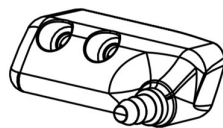
**SA430**



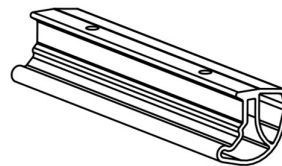
**C04 x 6**  
\*optional upgrade\*



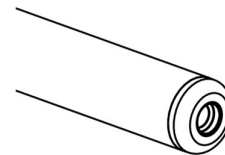
**PS519 x 1**



**PS520 x 1**



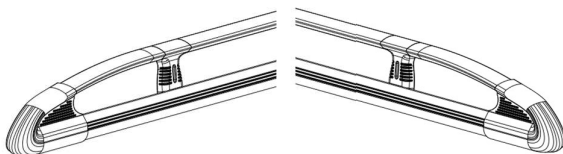
**EXT15-02**



**SA438 x 1**

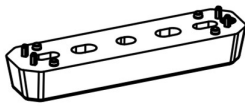
**LHS x 2**

**RHS x 2**

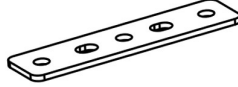


**ASF x 1**

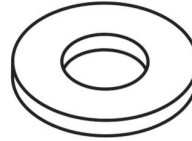
## Fitting Kit



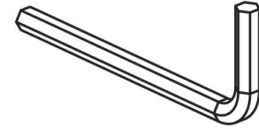
PS183 x 6



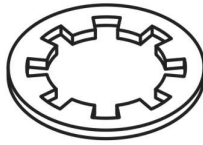
PS023 x 6



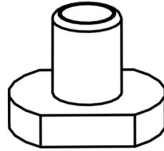
FW002 (M8) x 6



FT01 x 1



FW009 (M8) x 6



FN085 x 20



FS018   
(M8 x 25) x 20



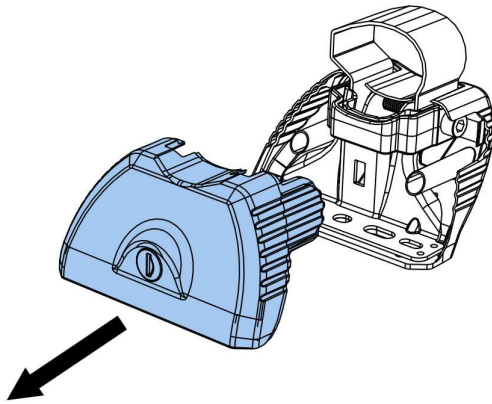
FS081   
(M8 x 50) x 6



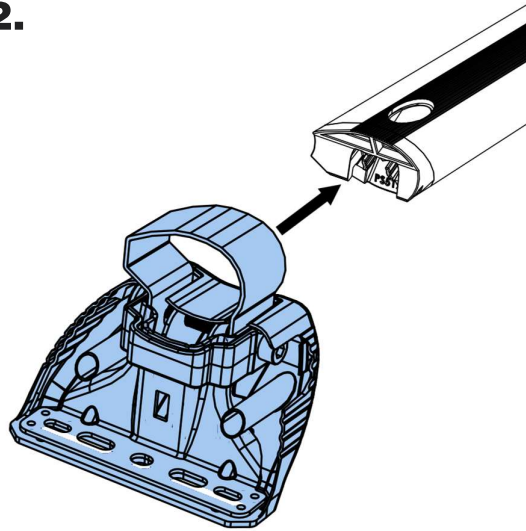
FT05 x 1

---

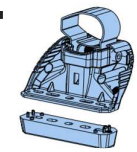
1.



2.

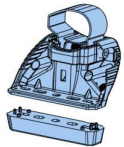


3.



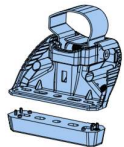
**SA397U**

**PS183**



**SA397U**

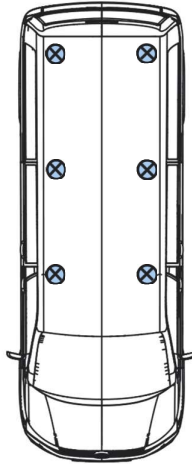
**PS183**



**SA397U**

**PS183**

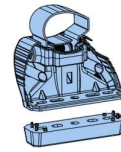
**R**



**F**

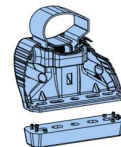
**SA398U**

**PS183**



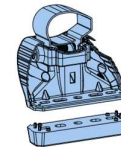
**SA398U**

**PS183**

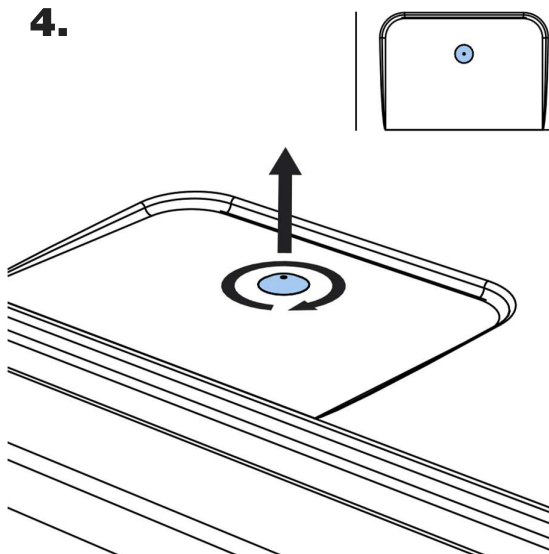


**SA398U**

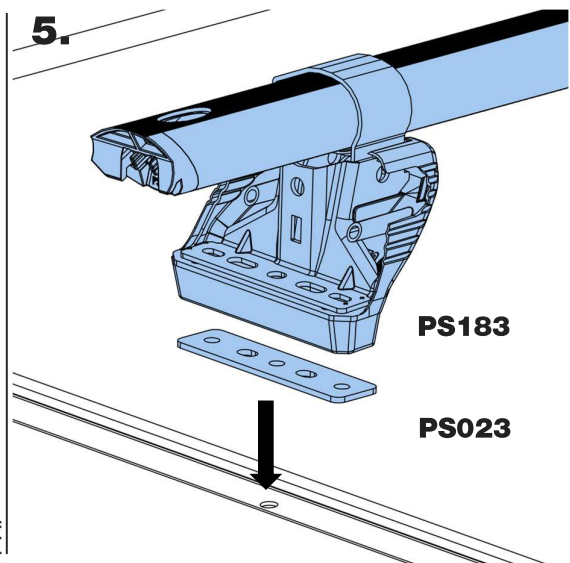
**PS183**



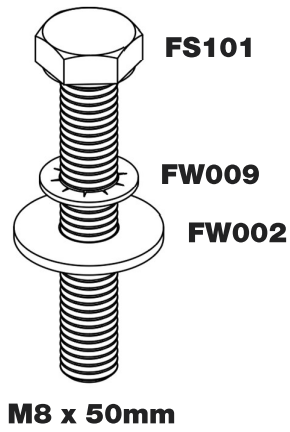
4.



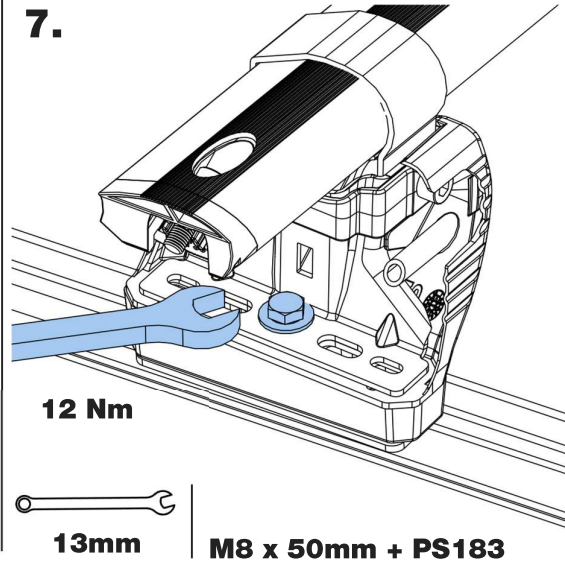
5.



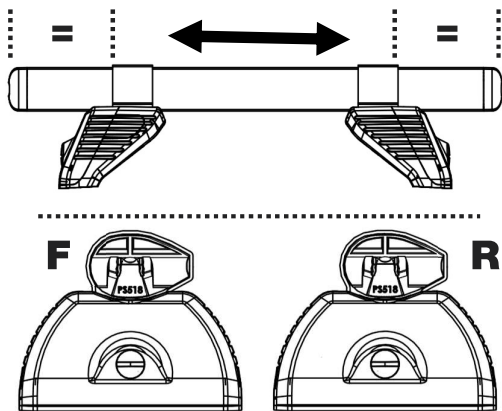
6.



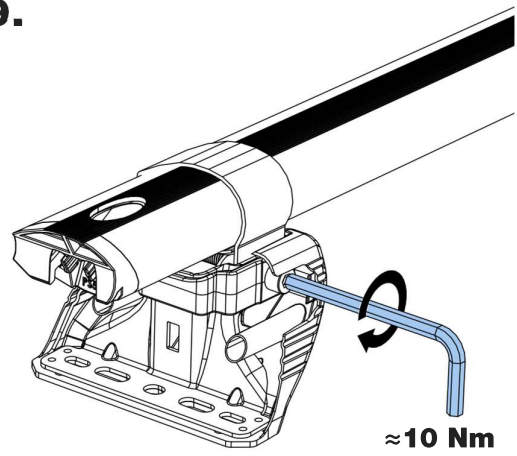
7.



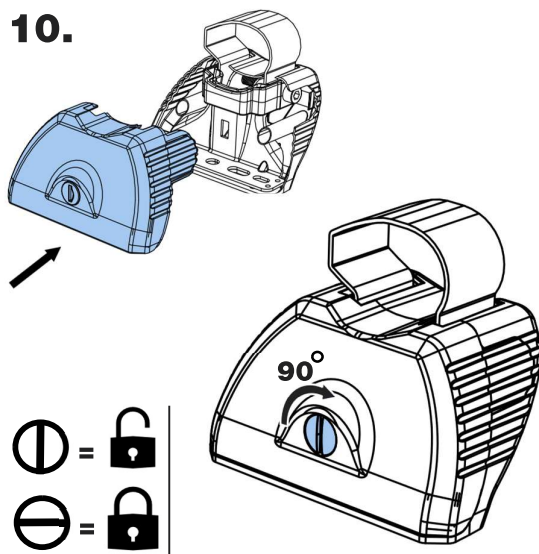
8.



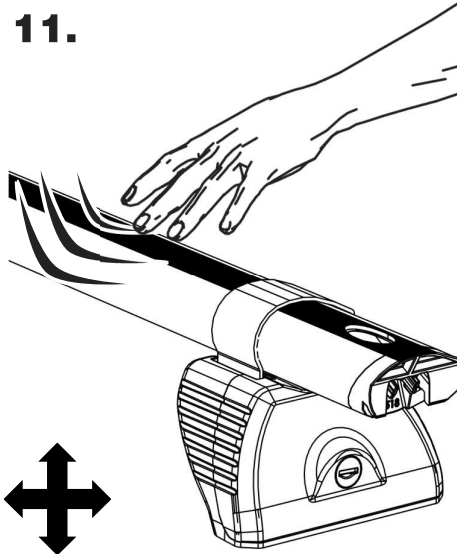
9.



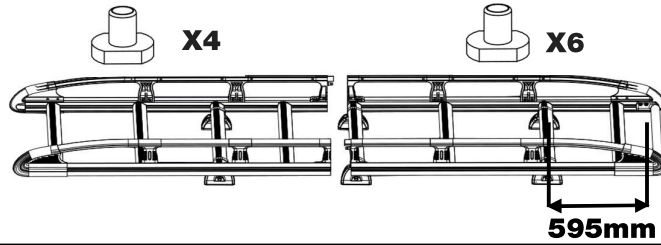
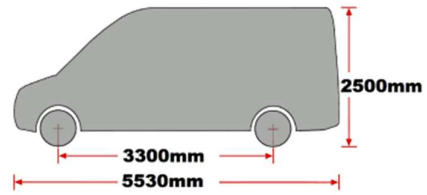
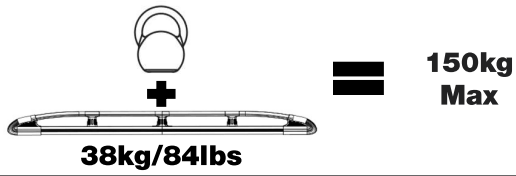
10.



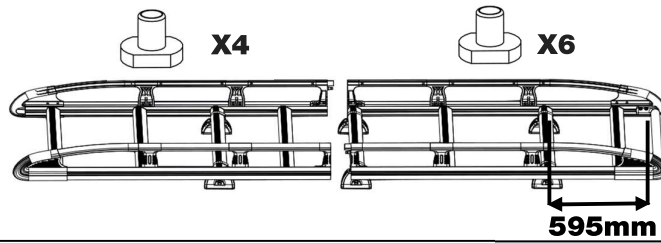
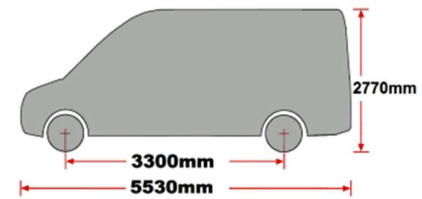
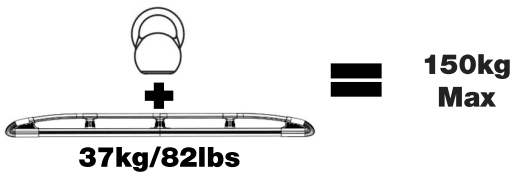
11.



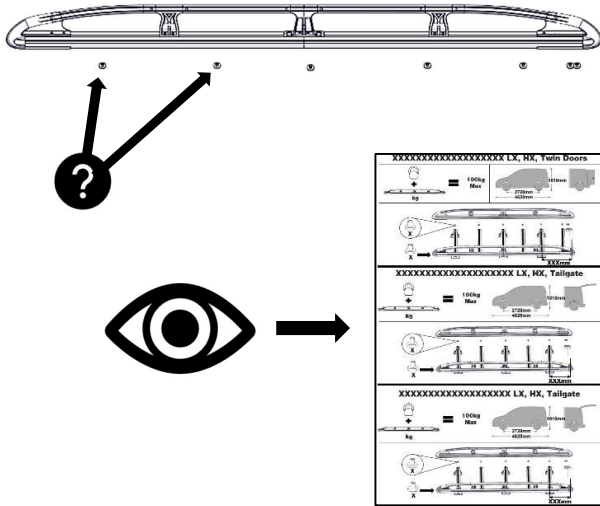
### K625- Transit 2014- L2, H2, Twin Doors



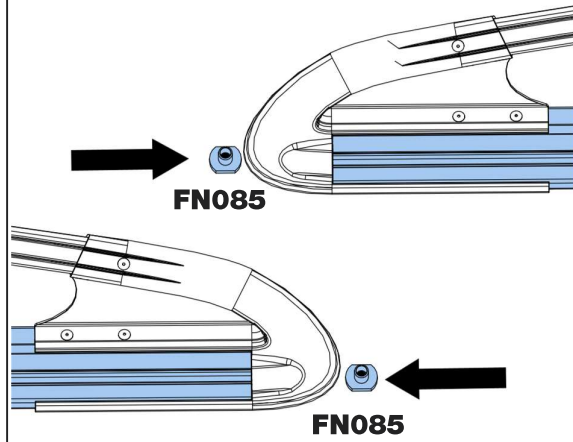
### K649- Transit 2014- L2, H3, Twin Doors



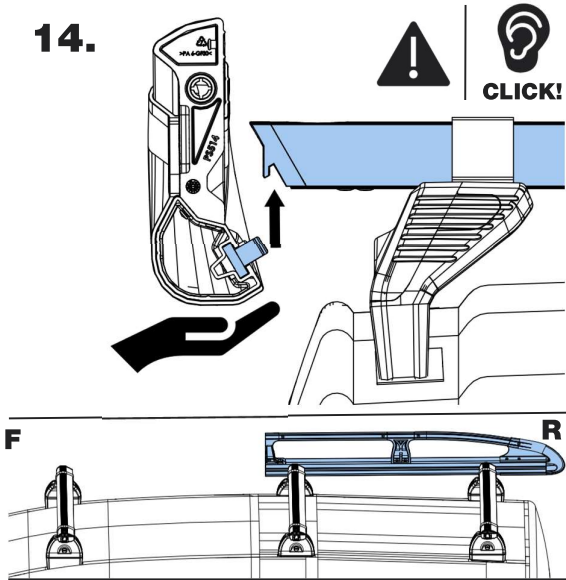
12.



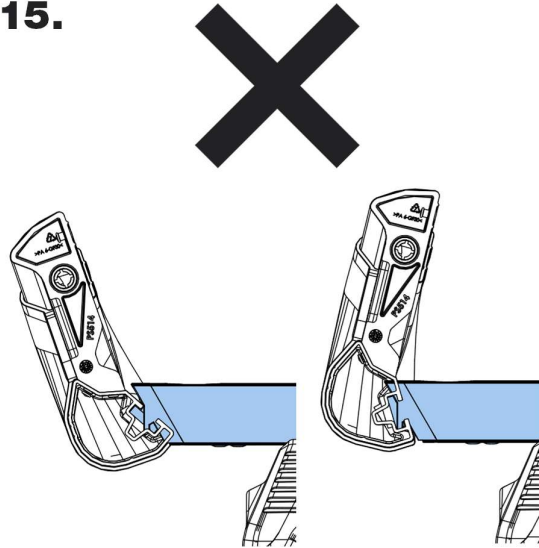
13.



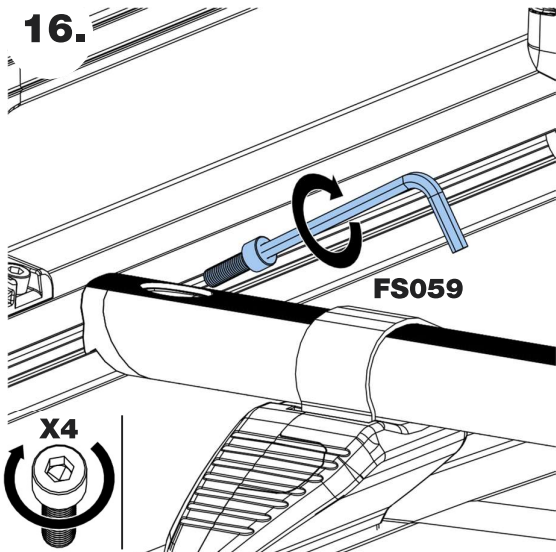
14.



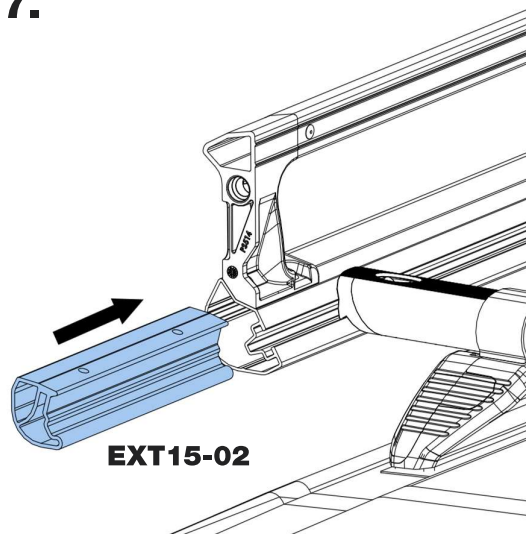
15.



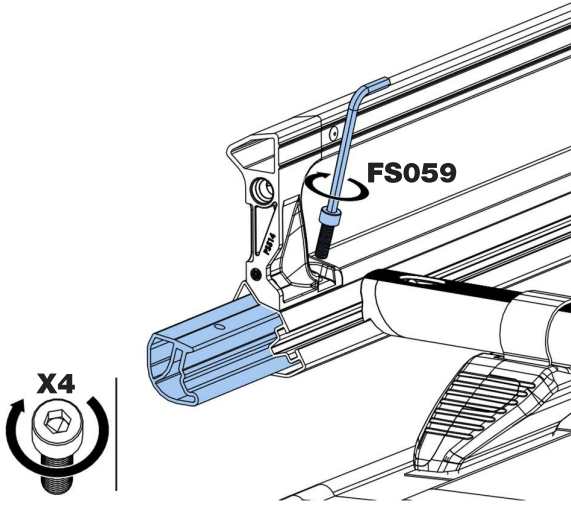
16.



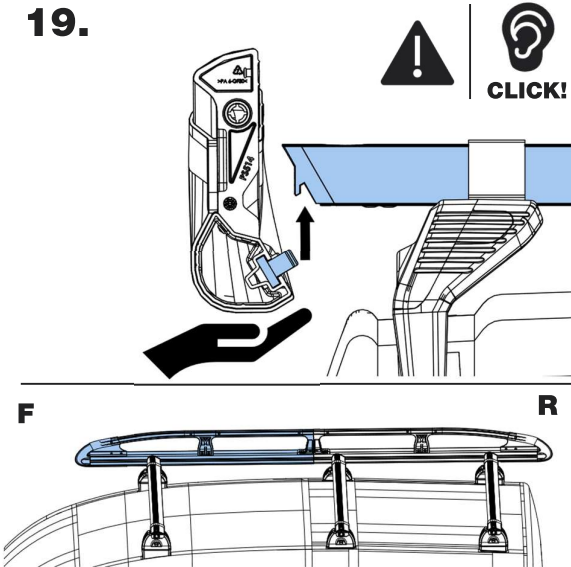
17.



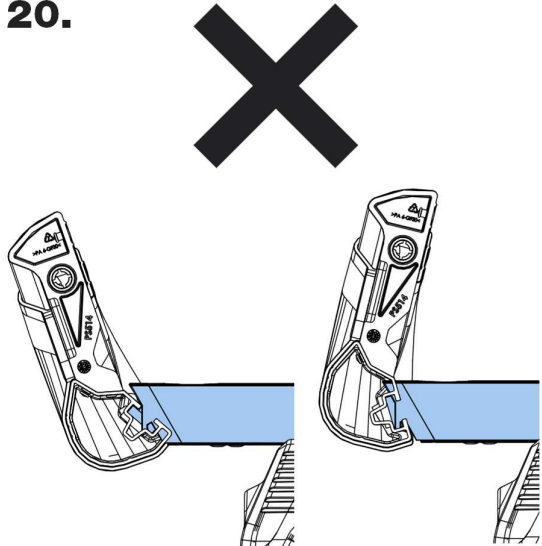
18.



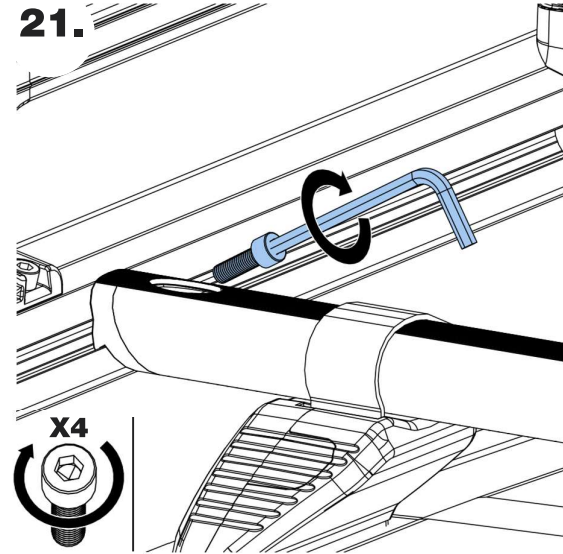
19.



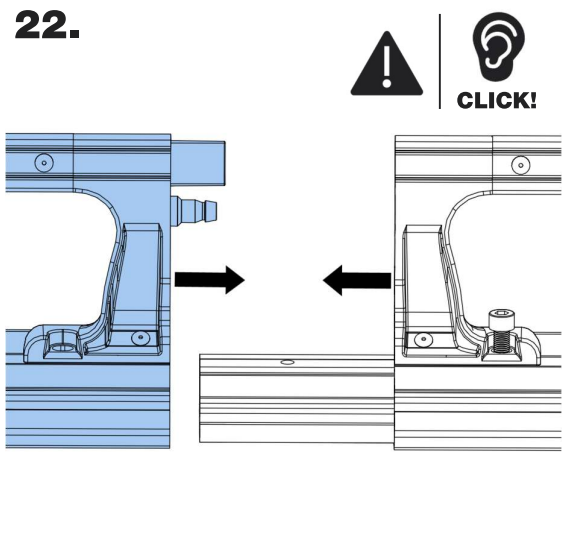
20.



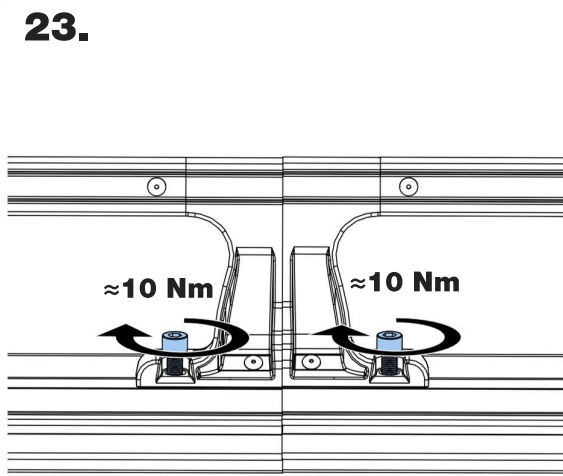
21.



22.

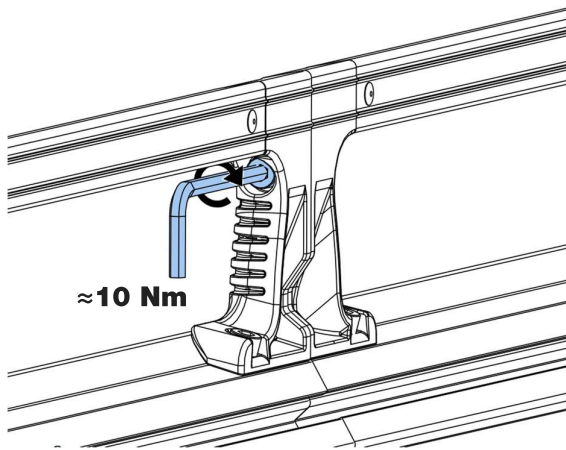


23.

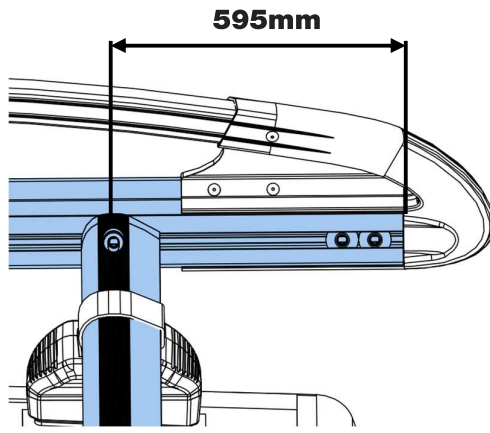




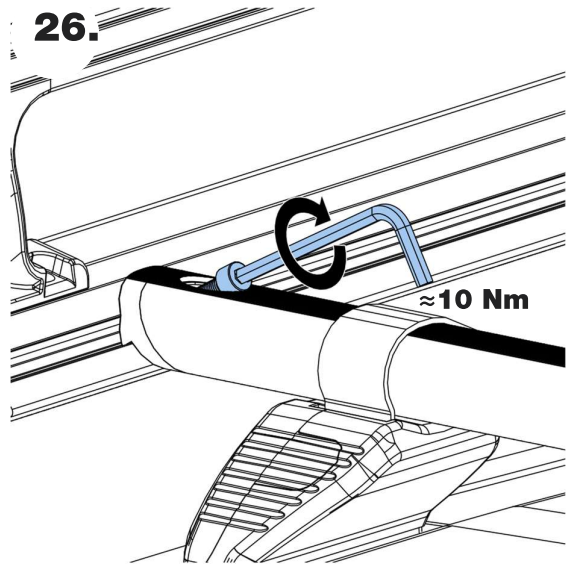
24.



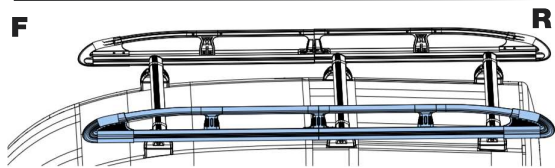
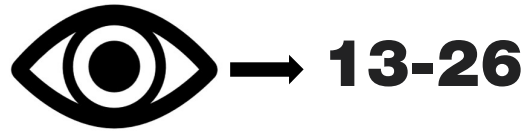
25.



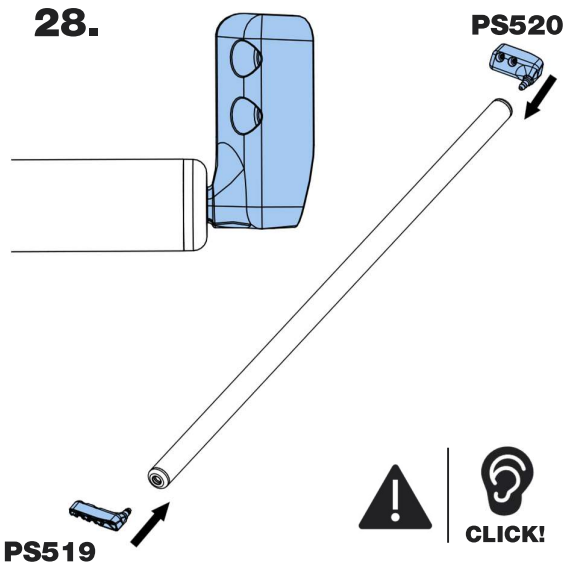
26.



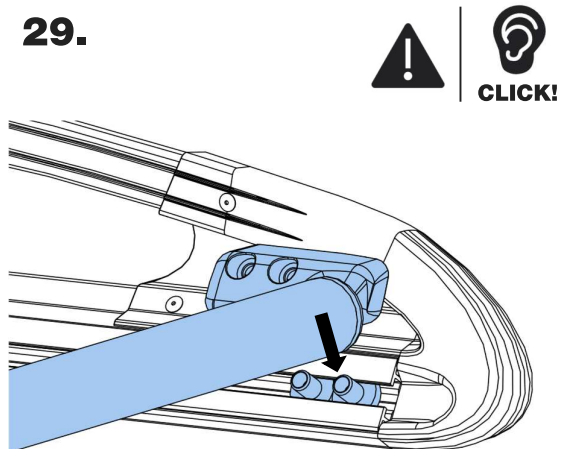
27.



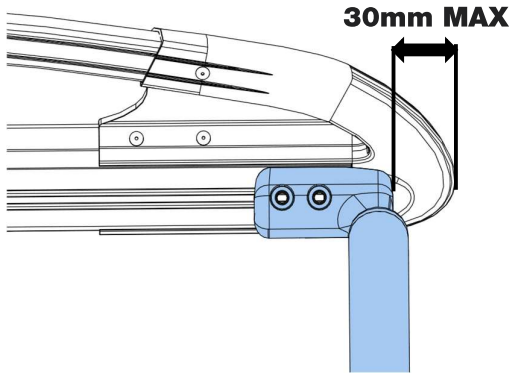
28.



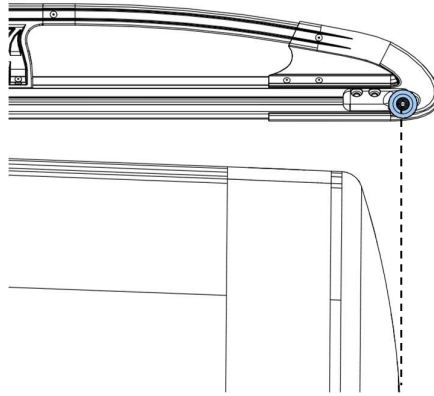
29.



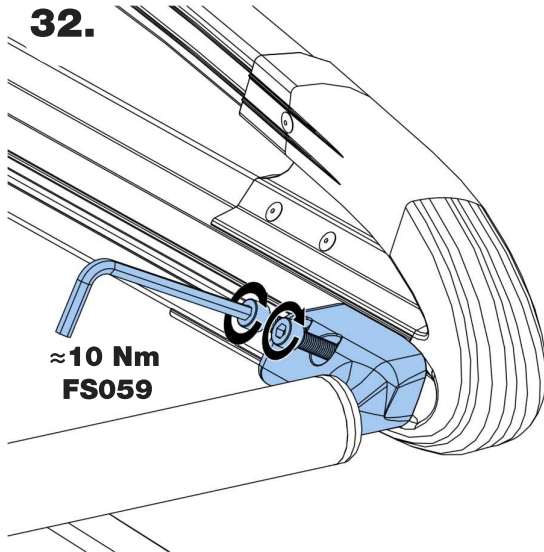
30.



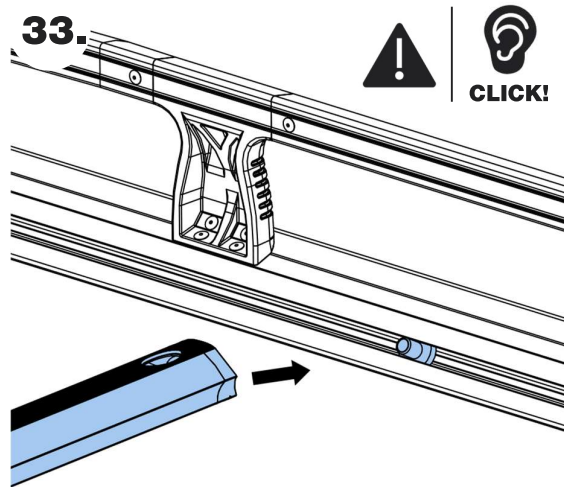
31.



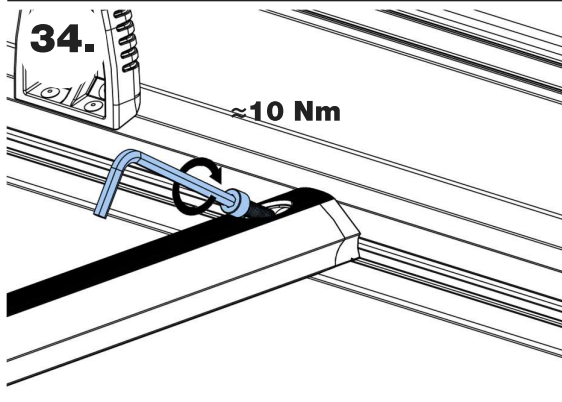
32.



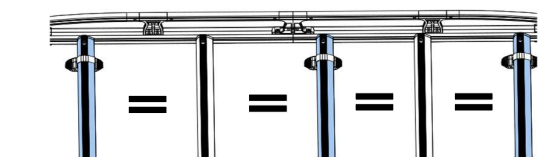
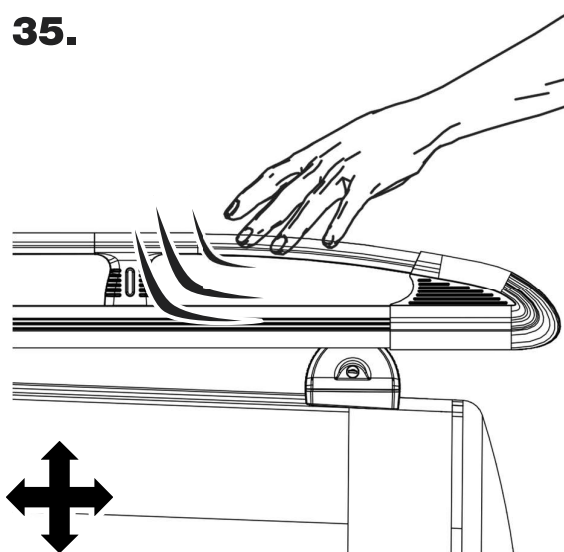
33.



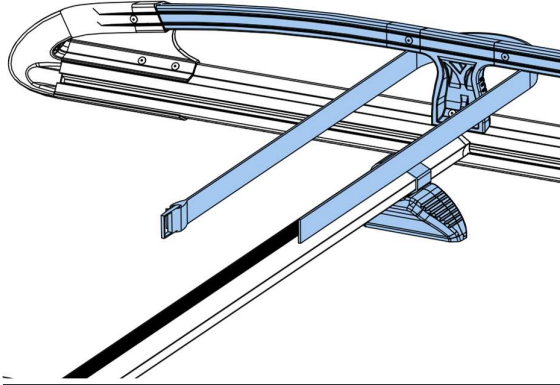
34.



35.



36.



37.

