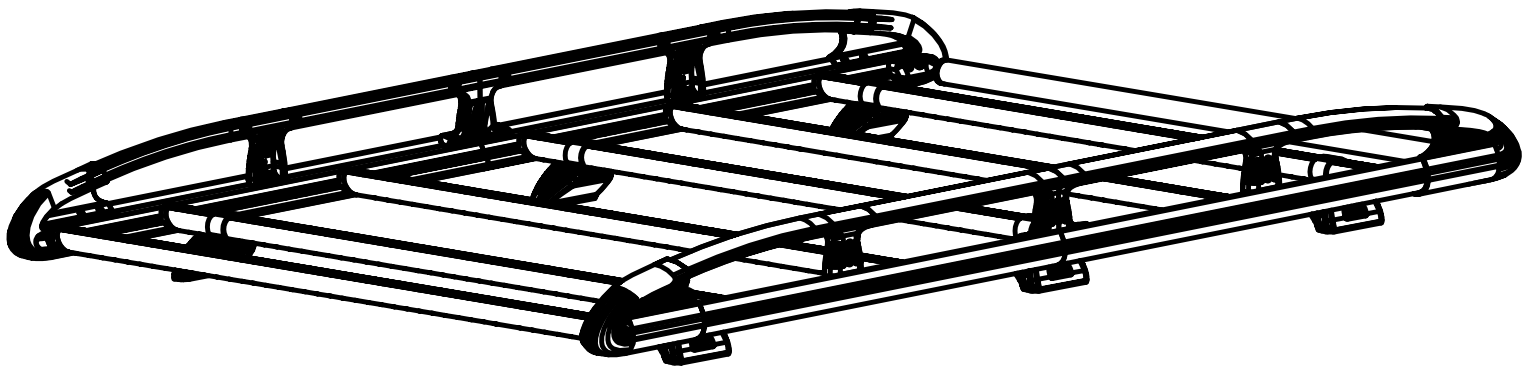


# VA4KR

# KammRack

## Instructions



**CITY CRASH** (✓)

According to ISO/ PAS 11154:2006

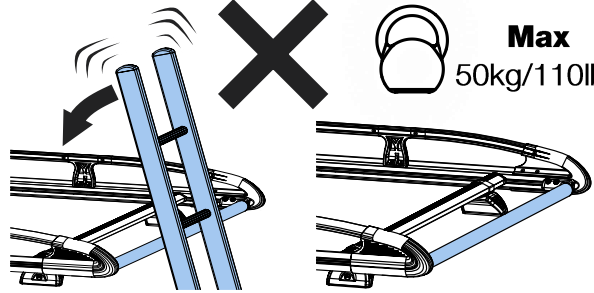
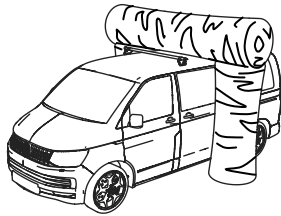
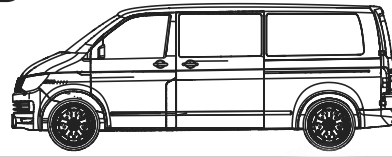
**VA4KR:**

**VAUXHALL** Vivaro 2014- 2019

**RENAULT** Traffic 2014-

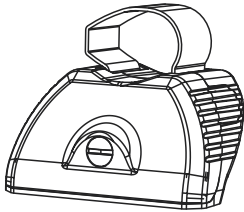
**NISSAN** NV300 2016-

**FIAT** Talento 2016-

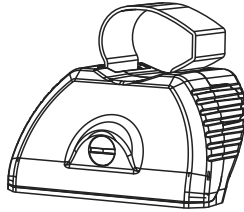


**Max**  
50kg/110lbs

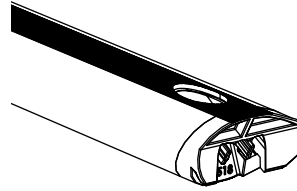
**KammRack**



**SA397U x 4**



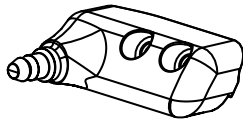
**SA398U x 4**



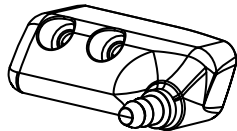
**SA430**



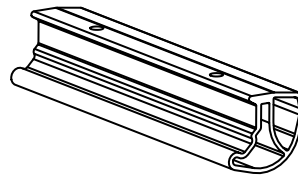
**C04 x 8**  
\*optional upgrade\*



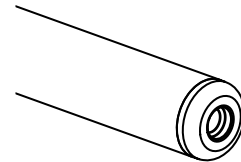
**PS519 x 1**



**PS520 x 1**

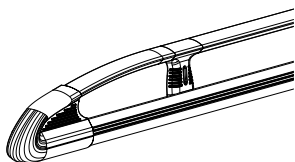


**EXT15-02**

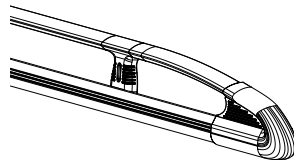


**SA438 x 1**

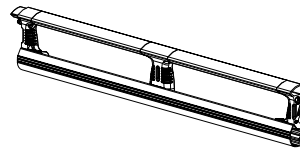
**LHS x 2**



**RHS x 2**

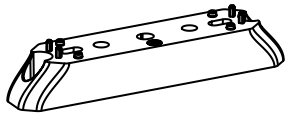


**Centre x 2**

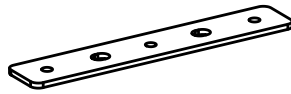


**ASF x 1**

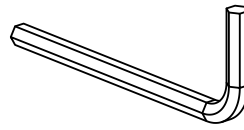
# Fitting Kit



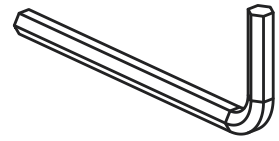
**PS186 x 8**



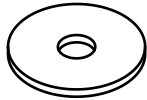
**PS210 x 8**



**FT02 x 1**



**FT01 x 1**



**PS208 (M6) x 2**



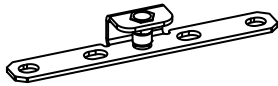
**FW036 (M6) x 2**



**PS209 (M6) x 12**



**FW001 (M6) x 12**



**SA069 x 6**



**FW002 (M8) x 6**



**TP030 (M6) x 2**



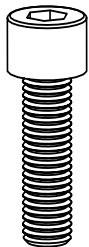
**FB001 (M6 x 55) x 2**



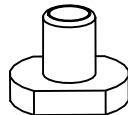
**FS103 (M6 x 25) x 12**



**FS062 (M8 x 25) x 6**



**FS018 (M8 x 25) x 18**

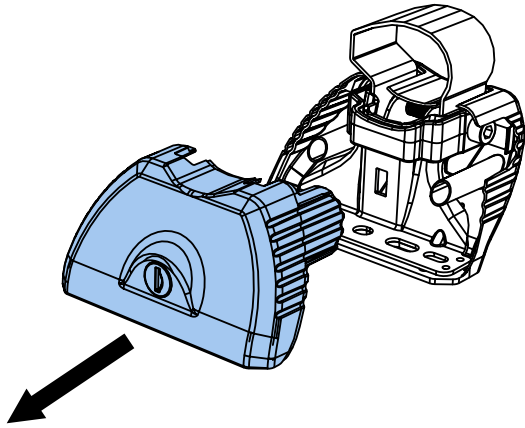


**FN085 x 18**

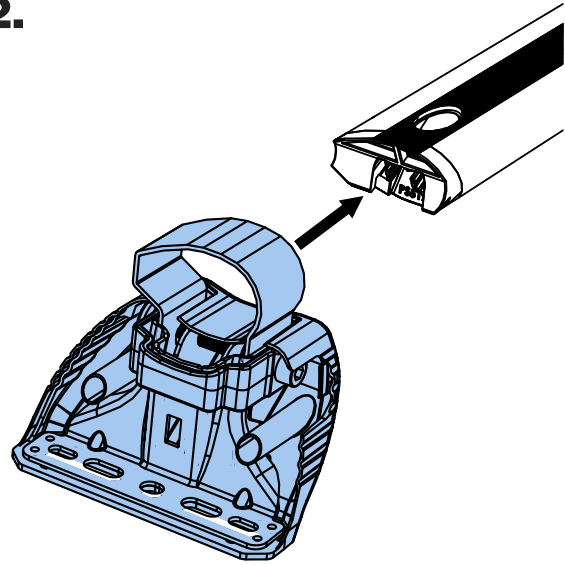


**FT05 x 1**

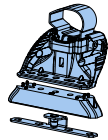
1.



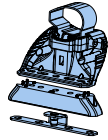
2.



3.



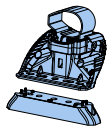
SA397U  
PS186  
SA069



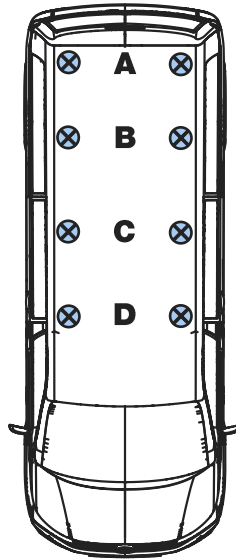
SA397U  
PS186  
SA069



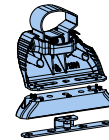
SA397U  
PS186  
SA069



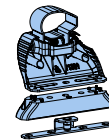
SA397U  
PS186



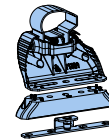
SA398U  
PS186  
SA069



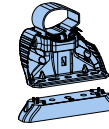
SA398U  
PS186  
SA069



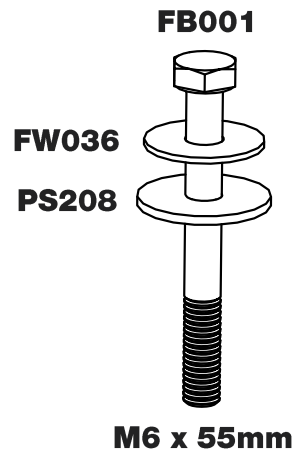
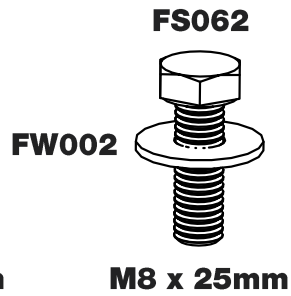
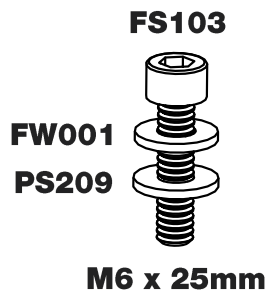
SA398U  
PS186  
SA069



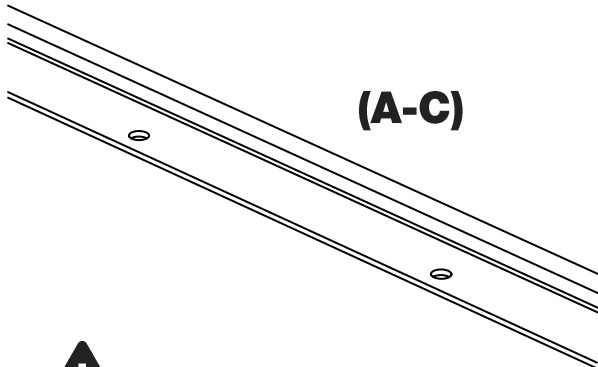
SA398U  
PS186



4.

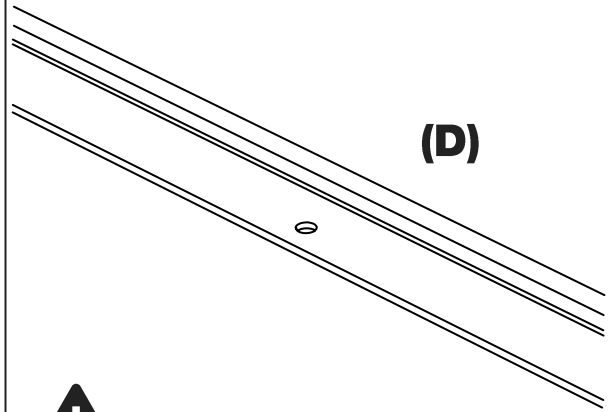


5.



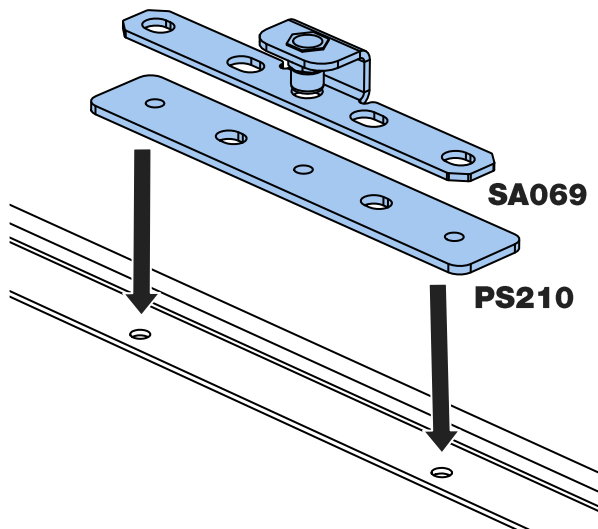
7-13, 17-20.

6.

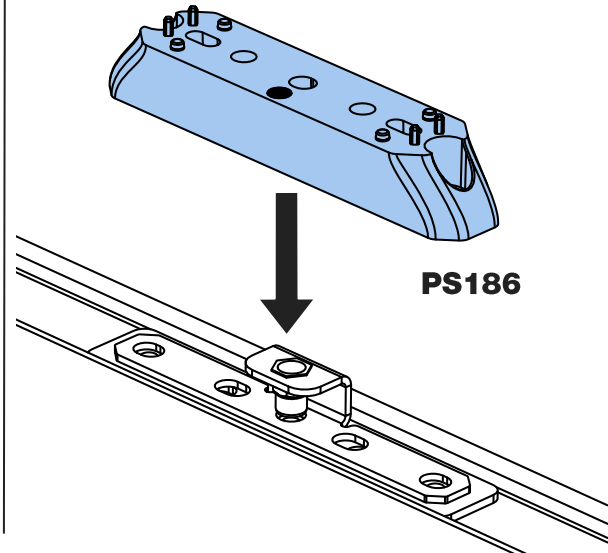


14-20.

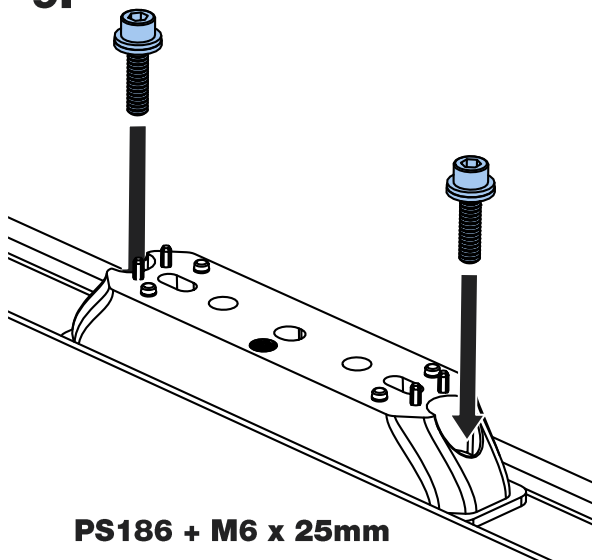
7.



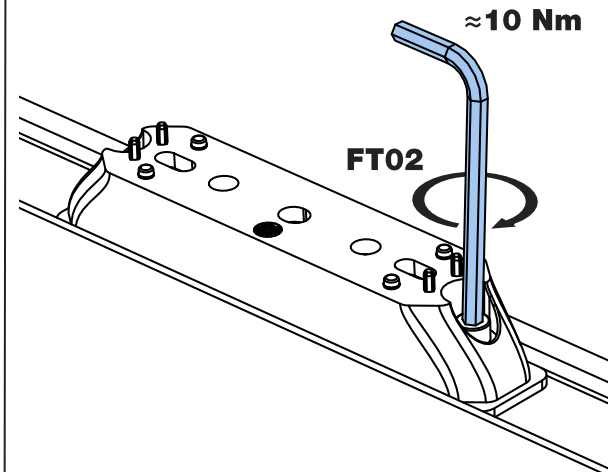
8.



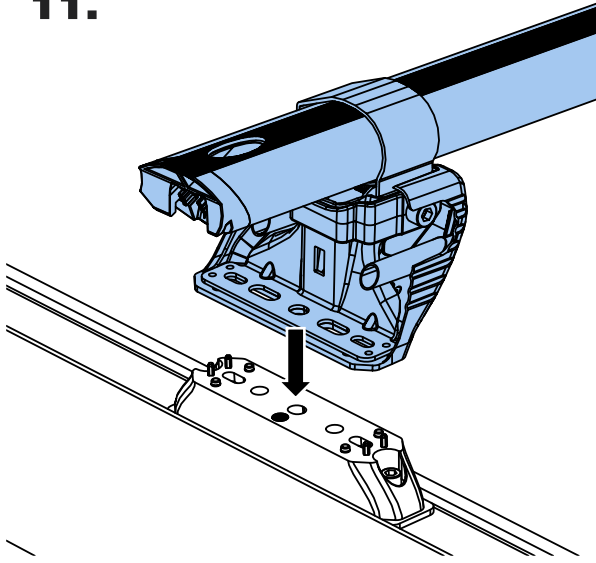
9.



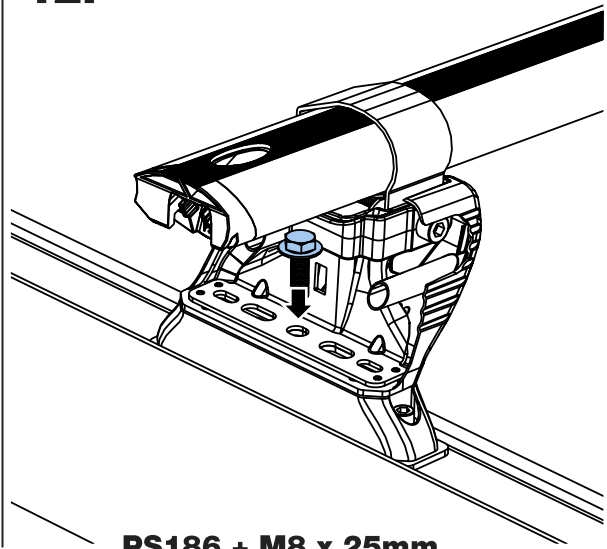
10.



11.

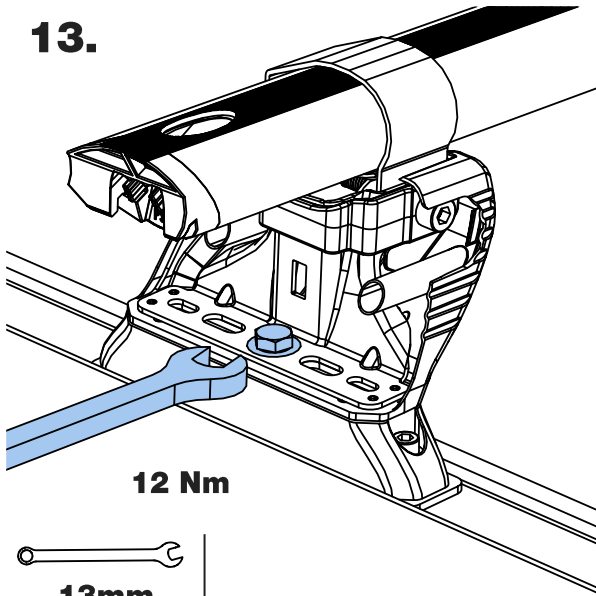


12.



PS186 + M8 x 25mm

13.

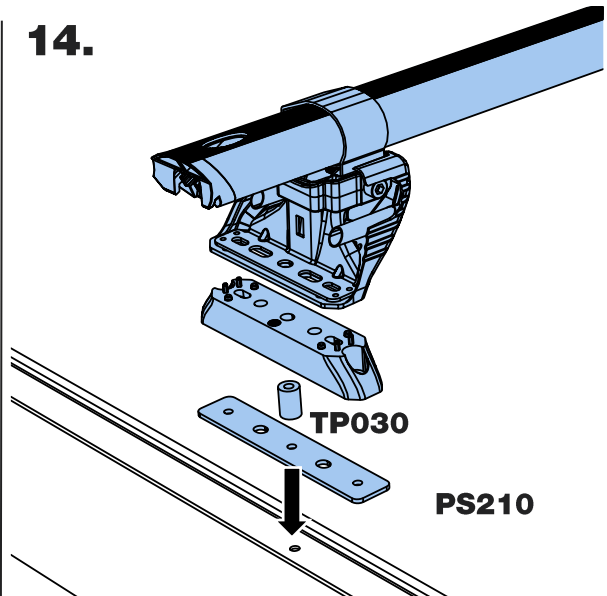


12 Nm



13mm

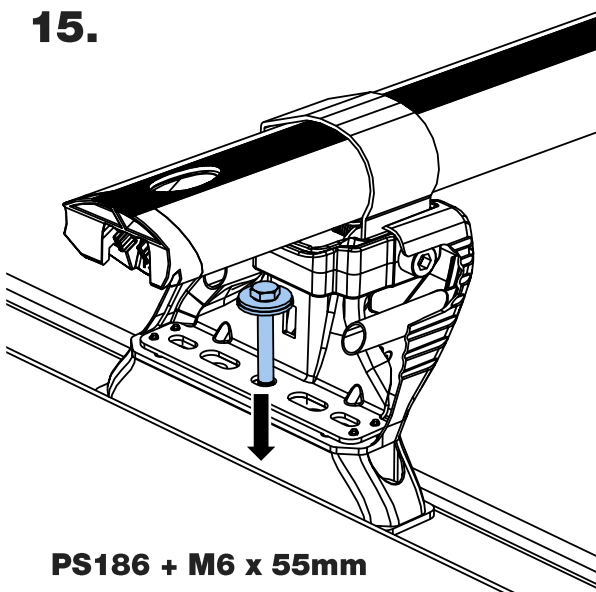
14.



TP030

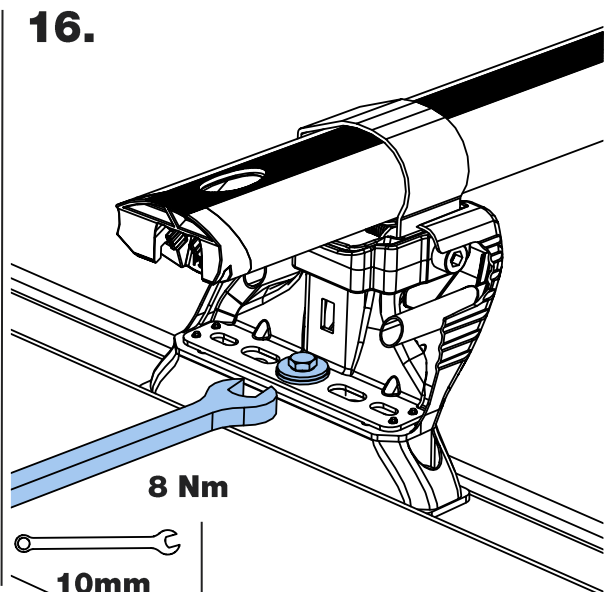
PS210

15.



PS186 + M6 x 55mm

16.

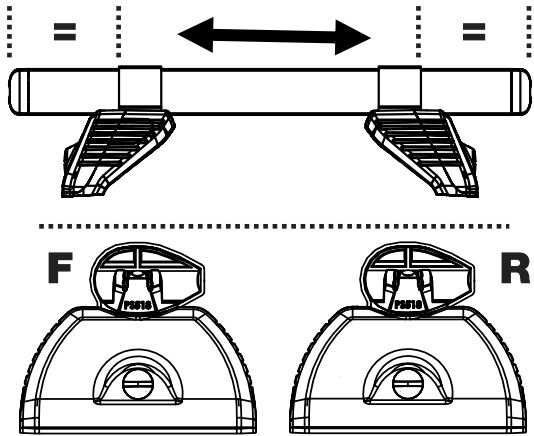


8 Nm

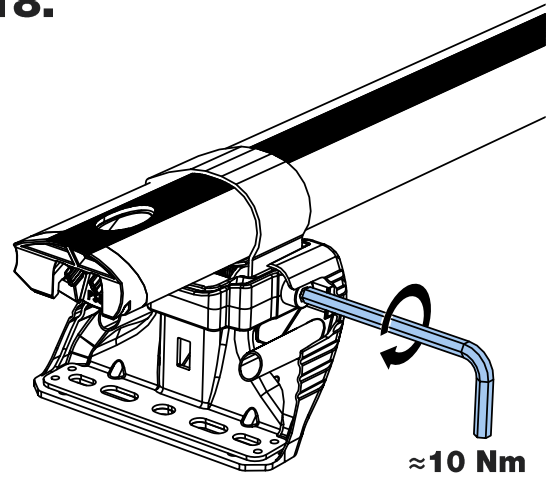


10mm

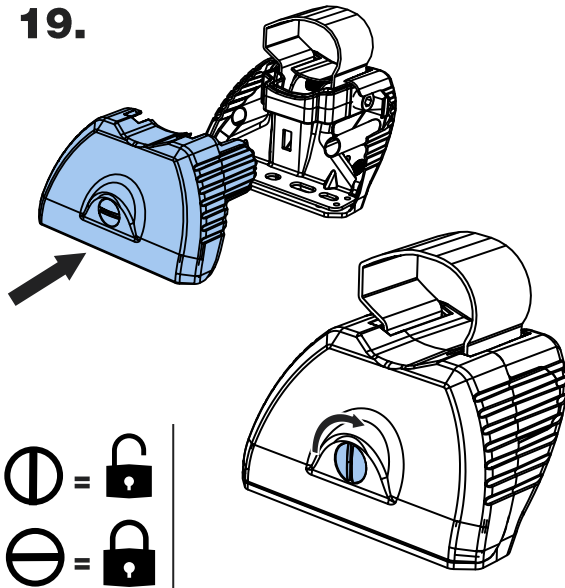
17.



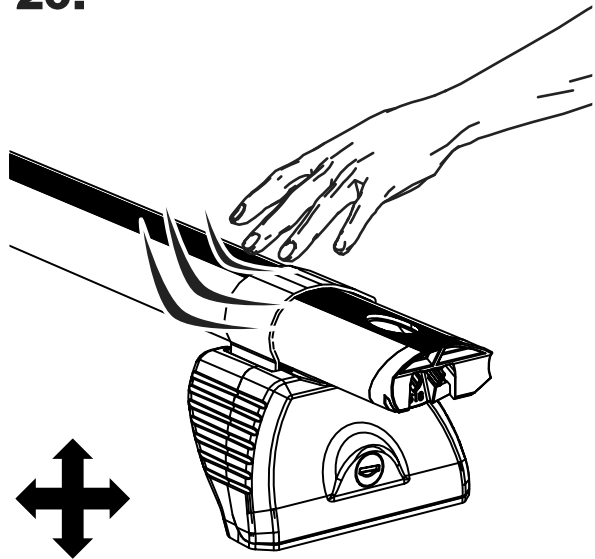
18.



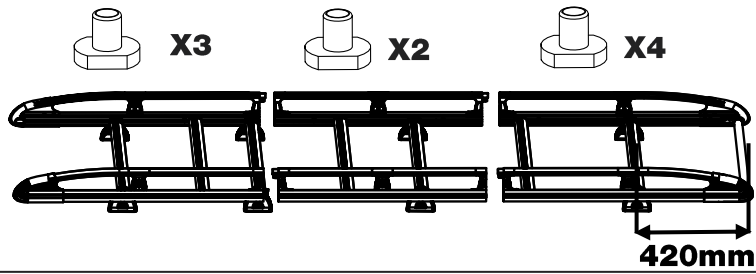
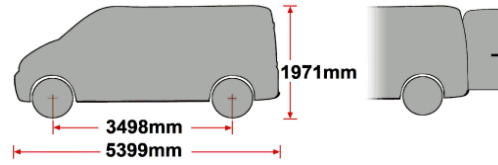
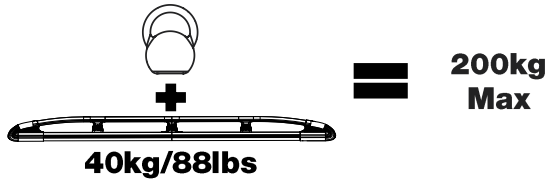
19.



20.

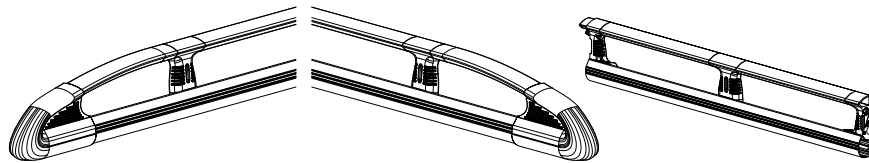


**K631- Renault Traffic 2014- Nissan NV300/Fiat Talento 2016-/Vauxhall Vivaro 2014-2019 L2, H1,**

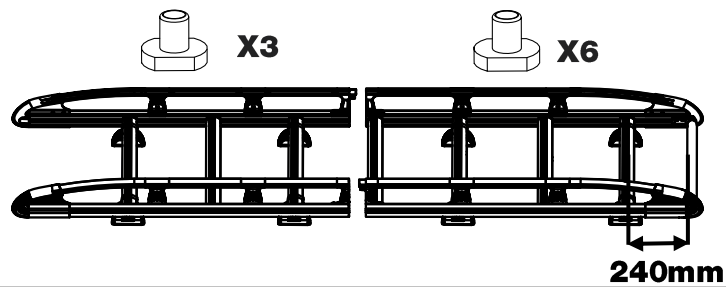
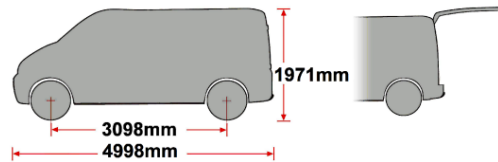
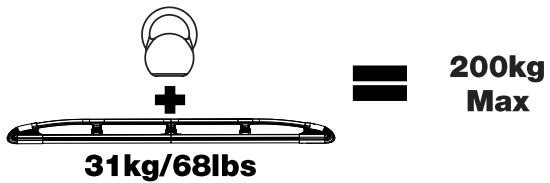


Pages 21-42, 59-68  

**A**

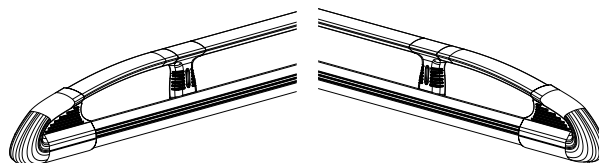


**K630- Renault Traffic 2014- Nissan NV300/Fiat Talento 2016-/Vauxhall Vivaro 2014-2019 L1, H1,**



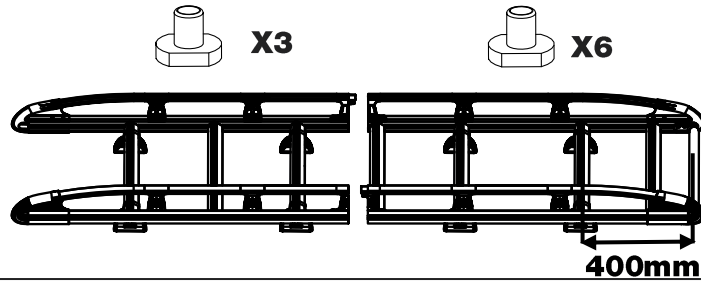
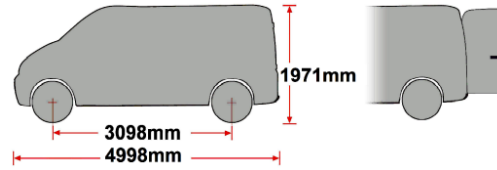
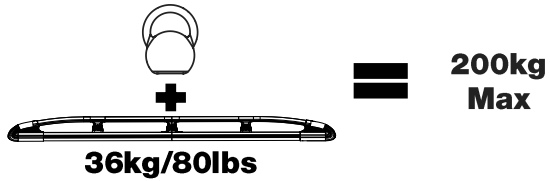
Page 43-68  

**B**





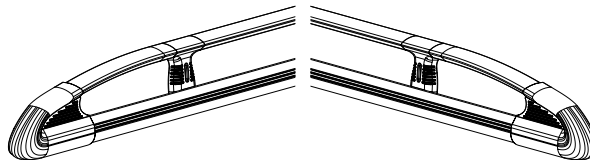
**K629- Renault Traffic 2014- Nissan NV300/Fiat Talento 2016-/Vauxhall Vivaro 2014-2019 L1, H1,**



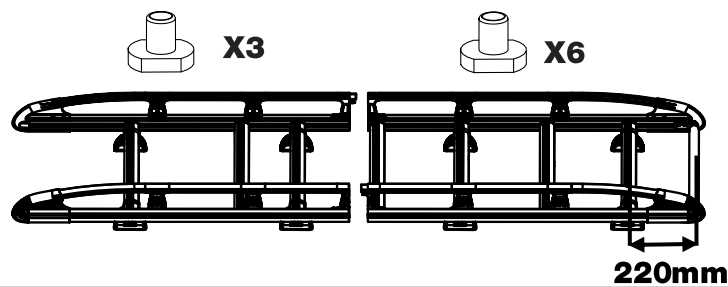
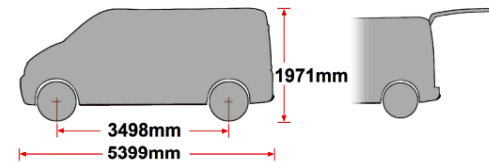
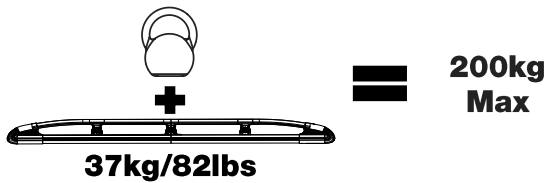
Pages 43-68



**B**



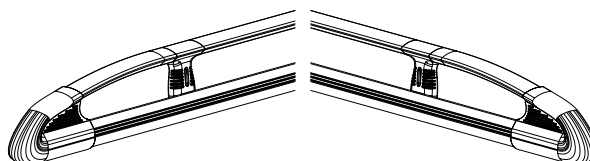
**K632- Renault Traffic 2014- Nissan NV300/Fiat Talento 2016-/Vauxhall Vivaro 2014-2019 L2, H1,**



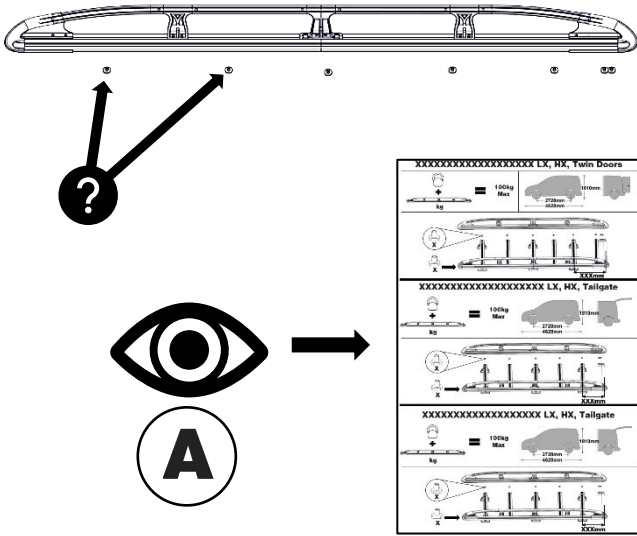
Pages 43-68



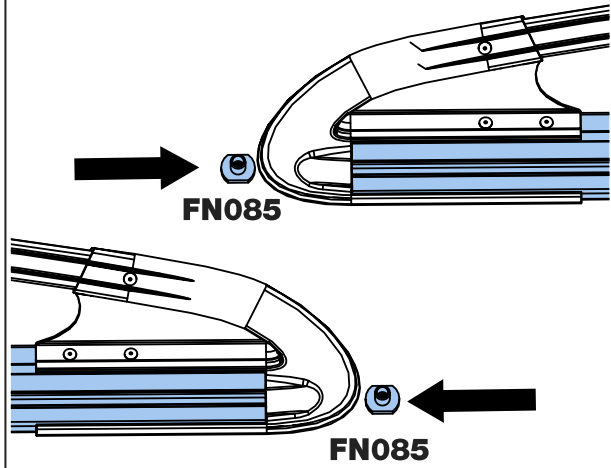
**B**



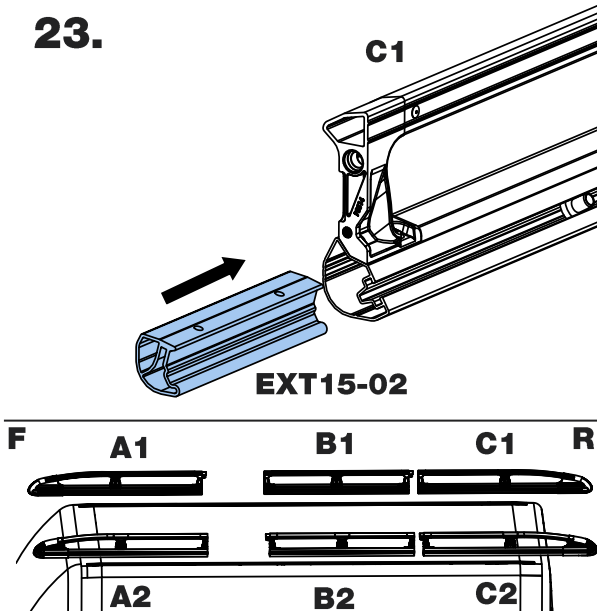
21.



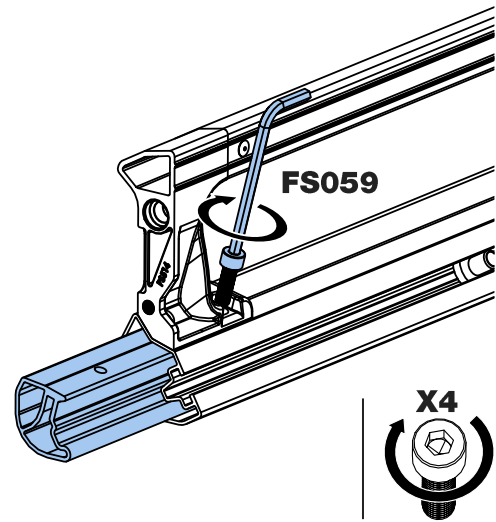
22.



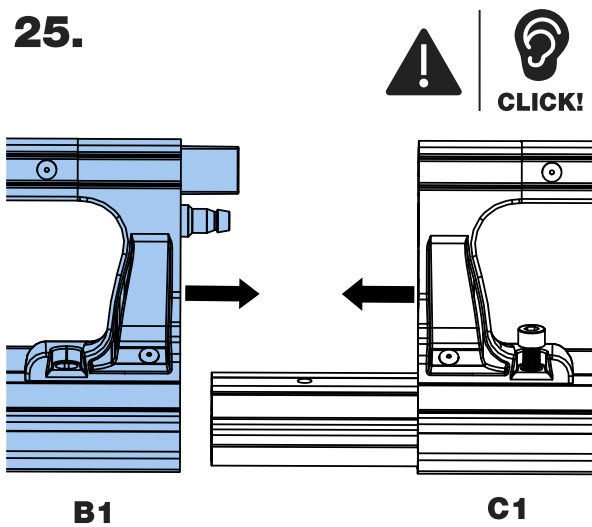
23.



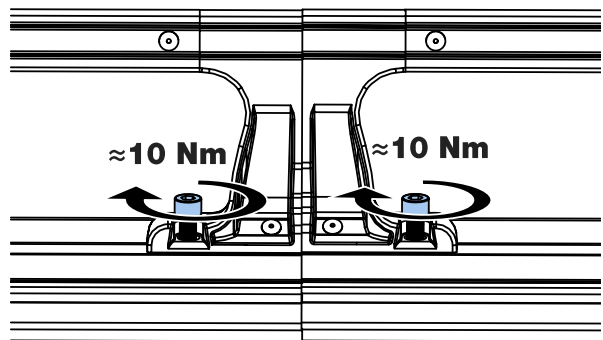
24.



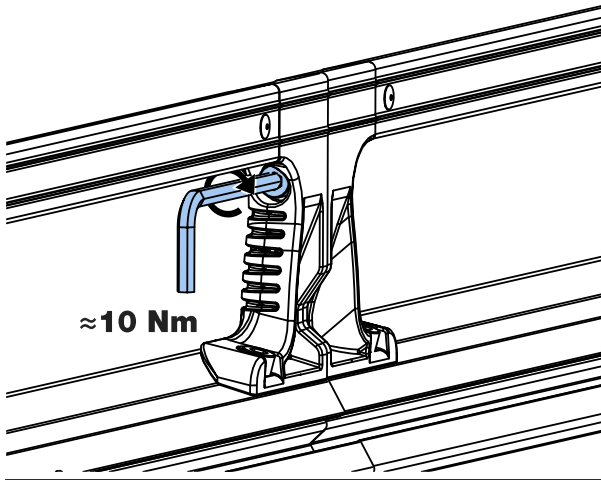
25.



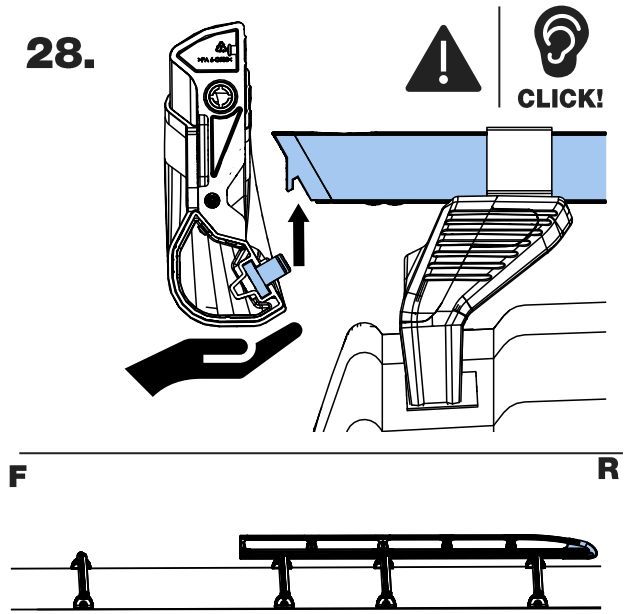
26.



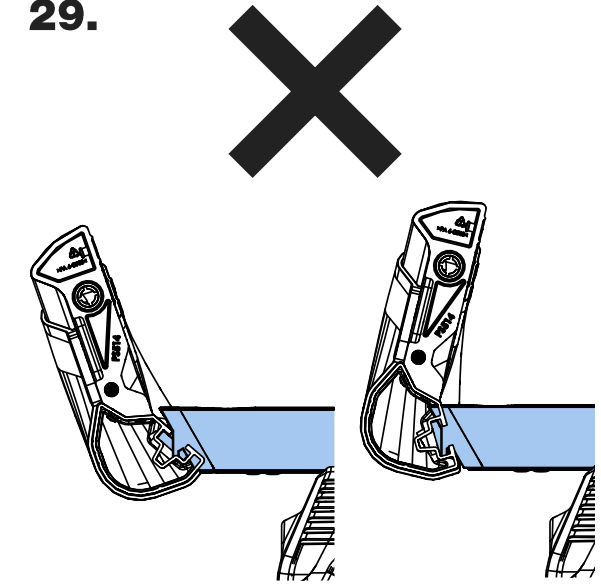
27.



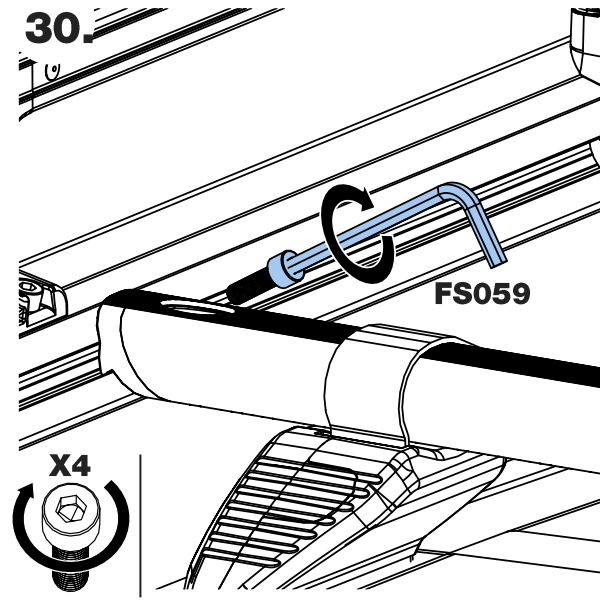
28.



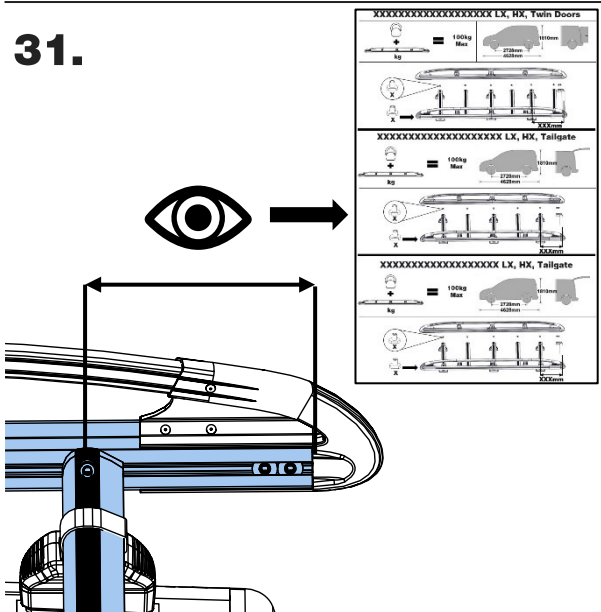
29.



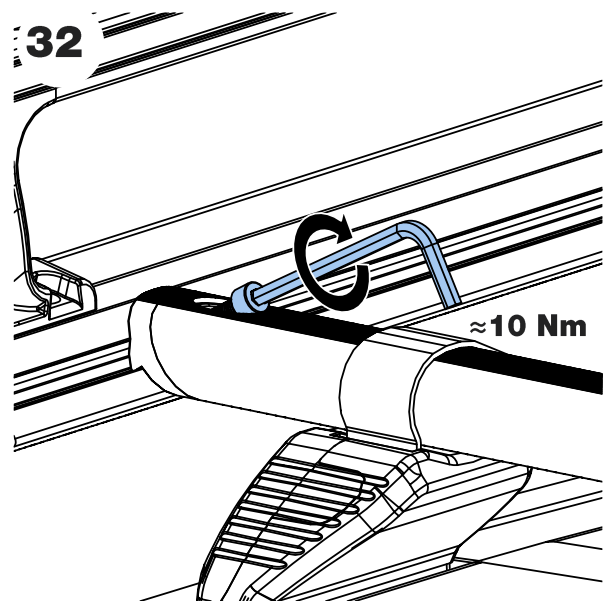
30.



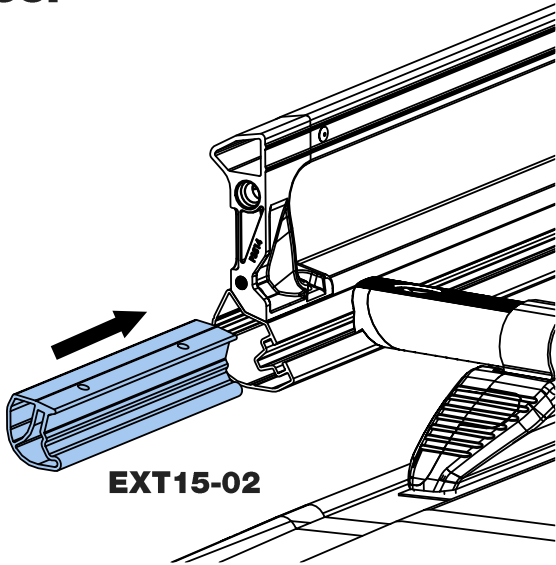
31.



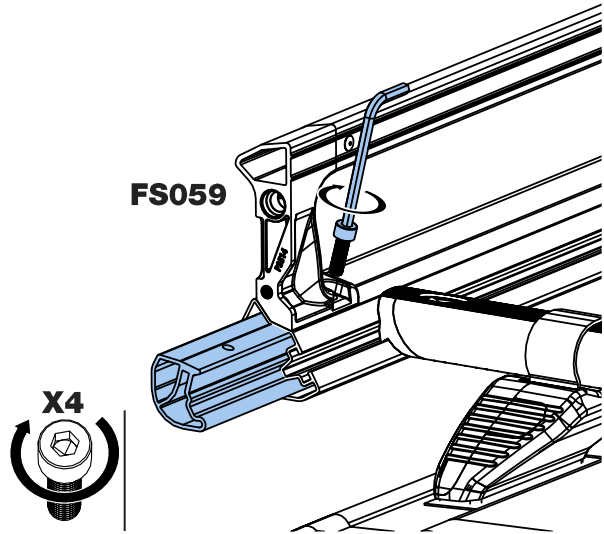
32.



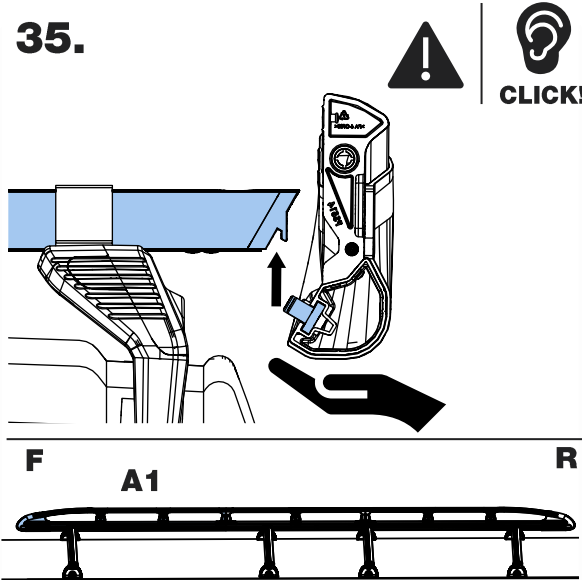
33.



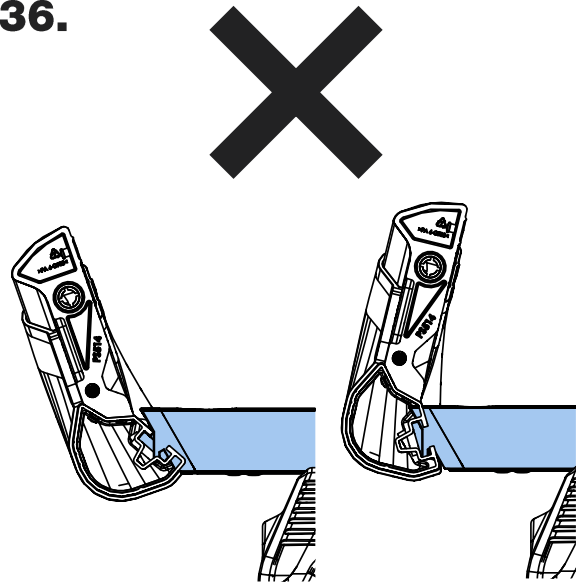
34.



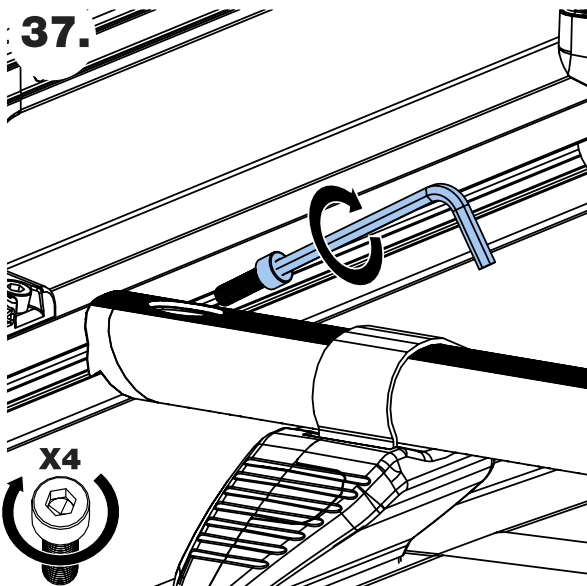
35.



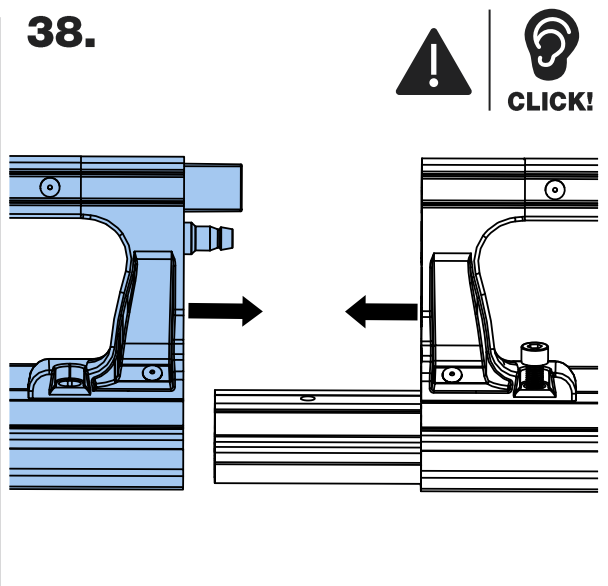
36.



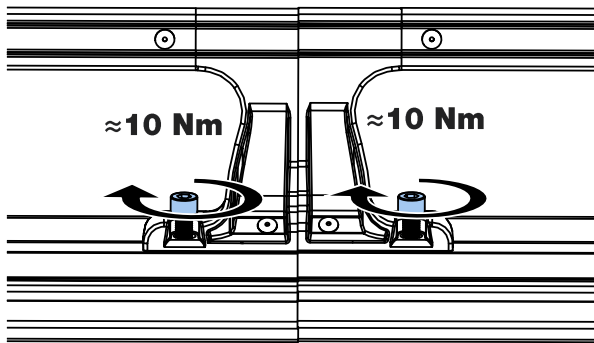
37.



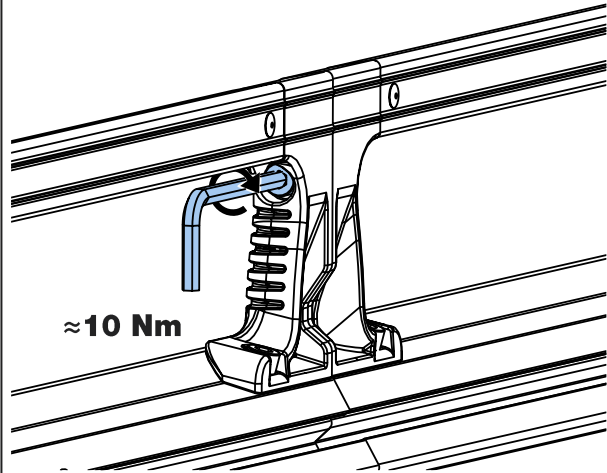
38.



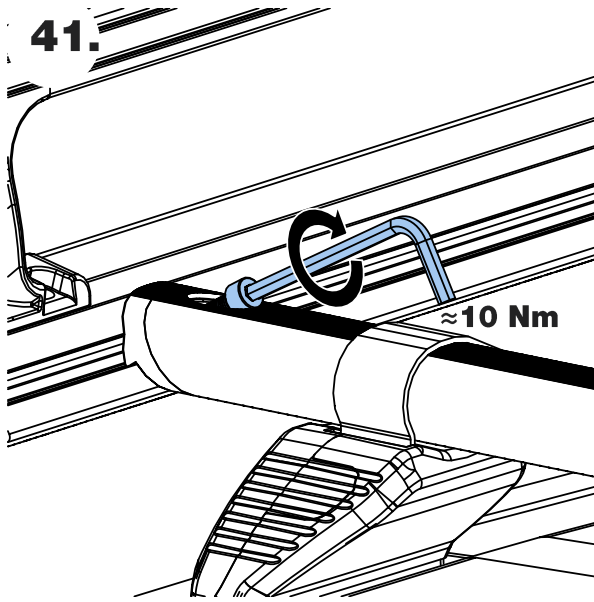
39.



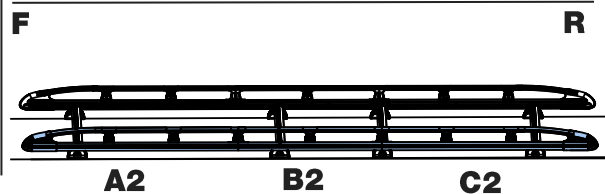
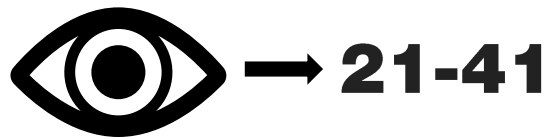
40.



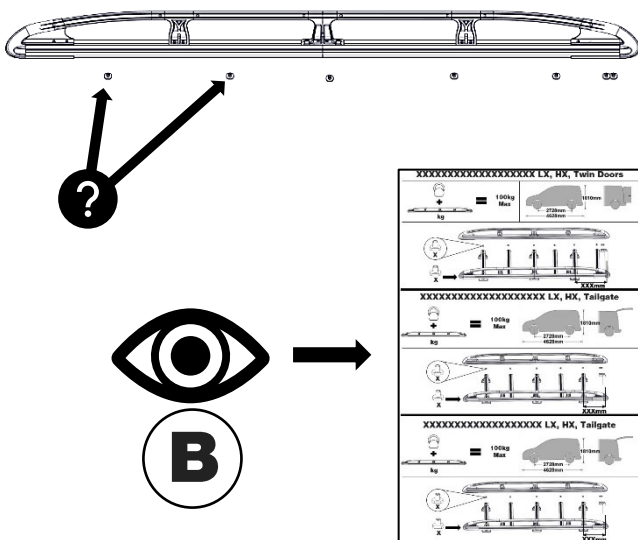
41.



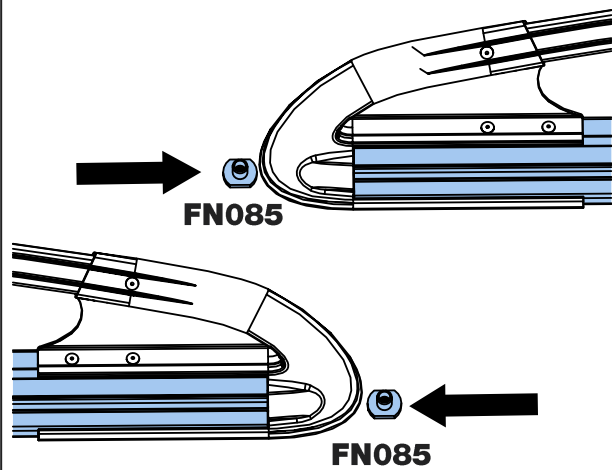
42.

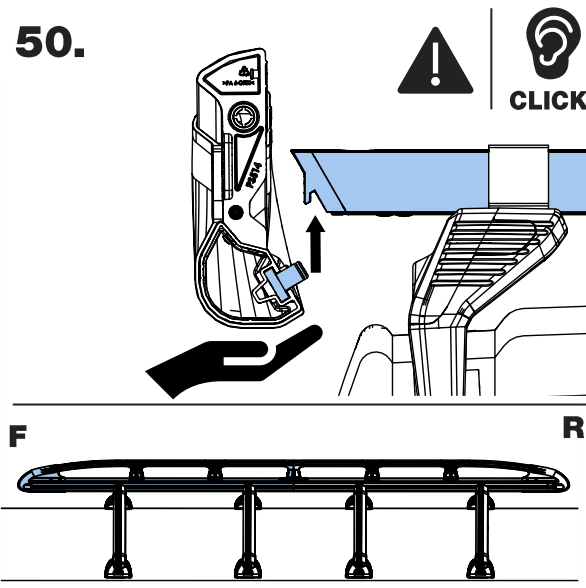
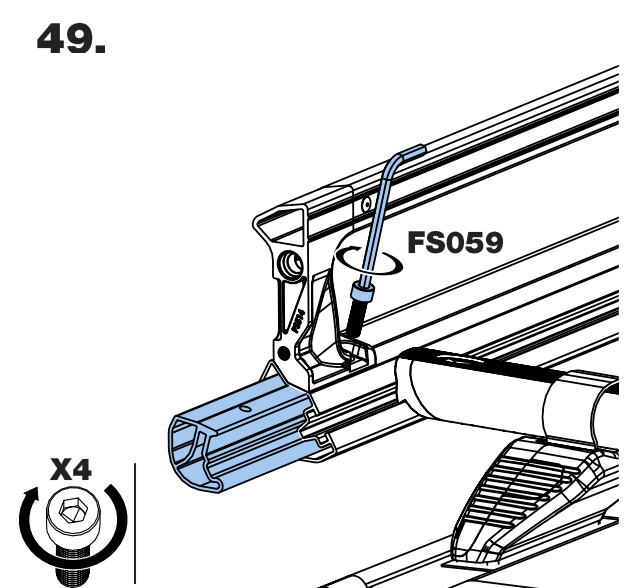
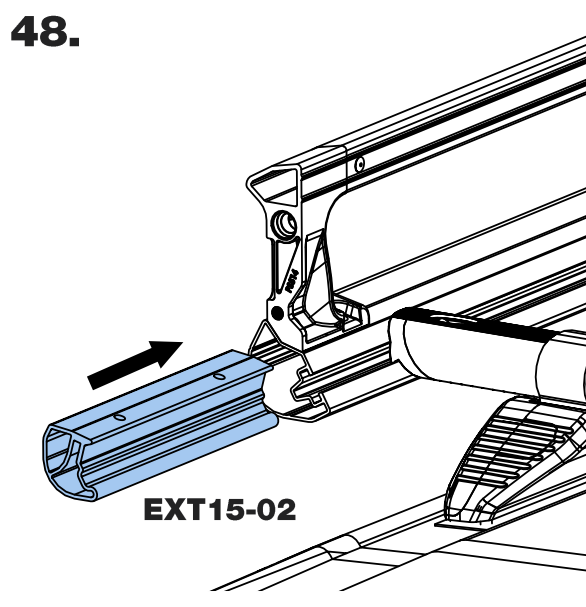
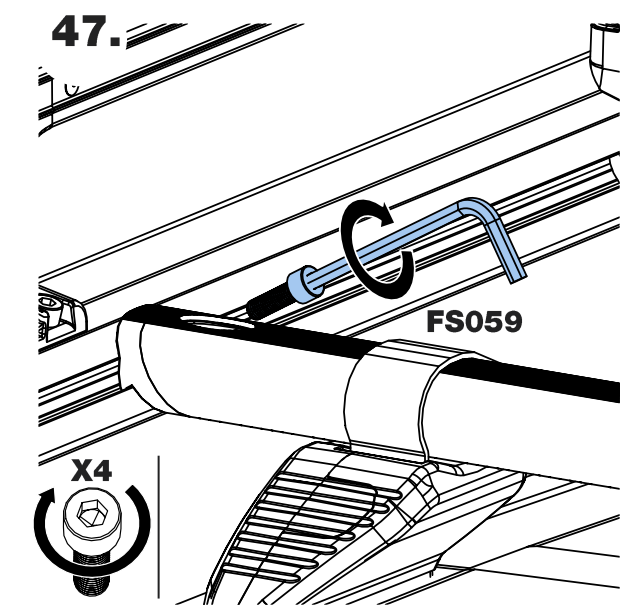
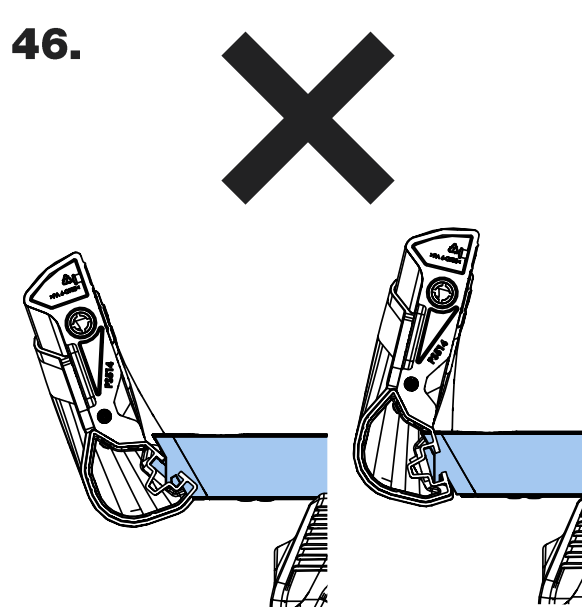
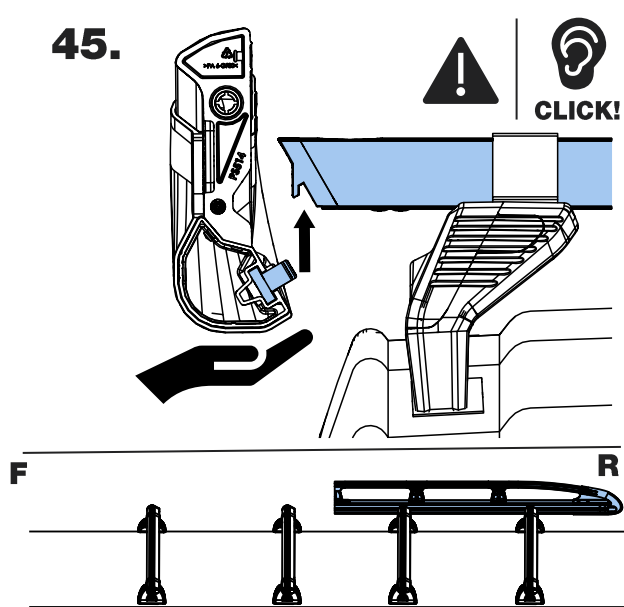


43.

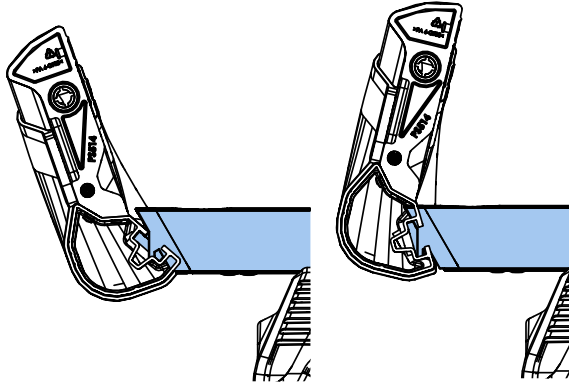


44.

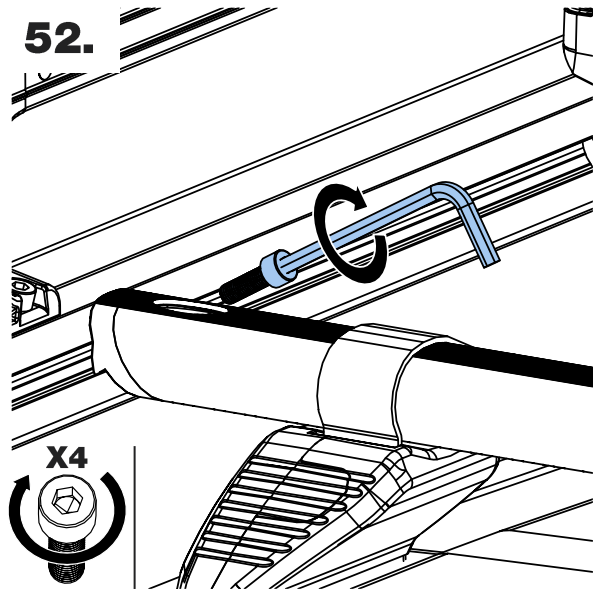




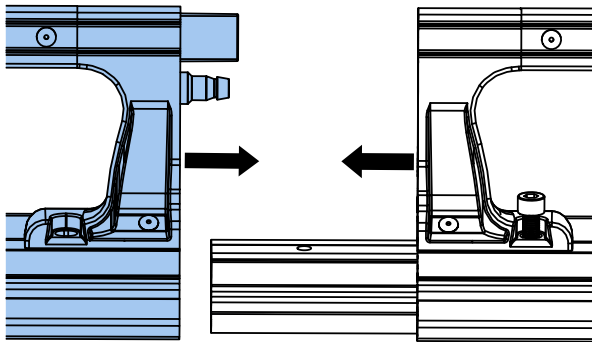
51.



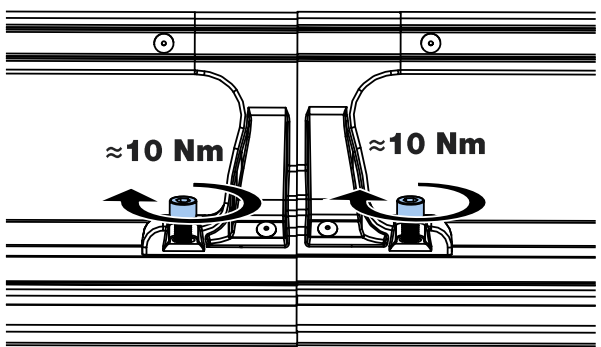
52.



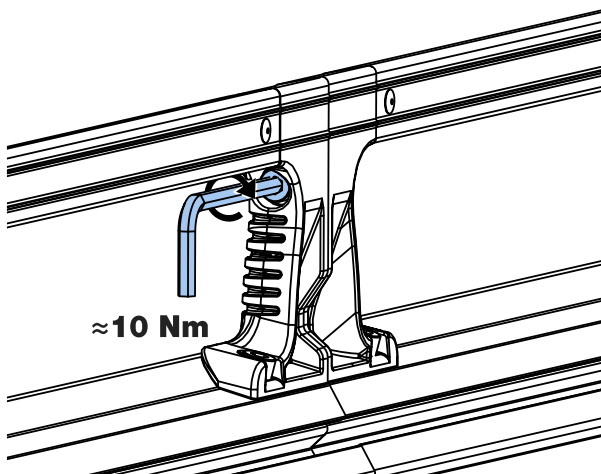
53.



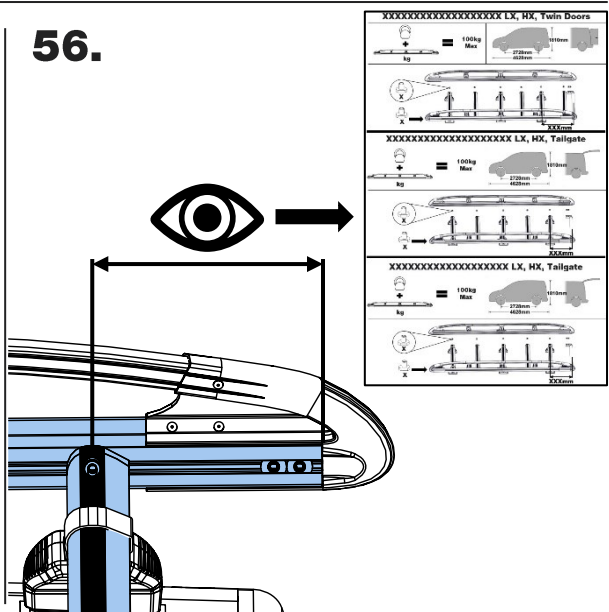
54.

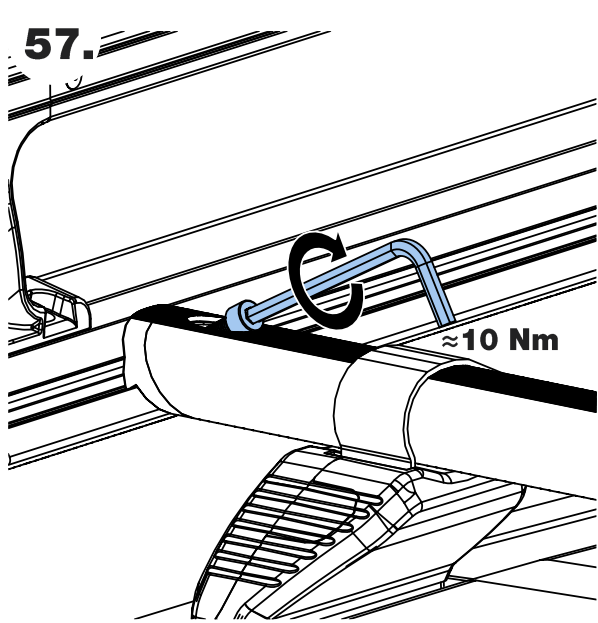


55.

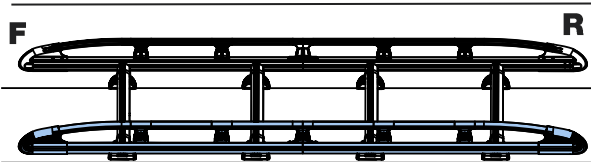
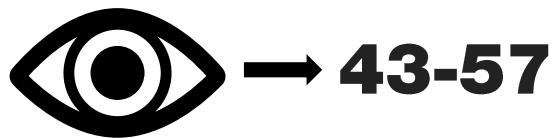


56.

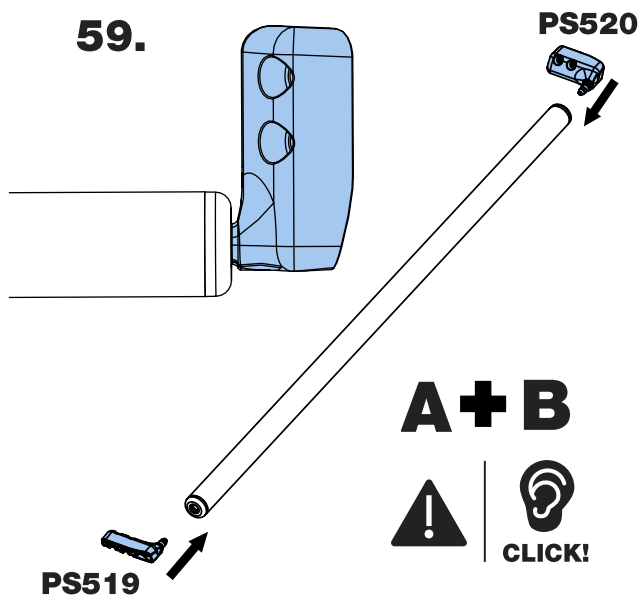




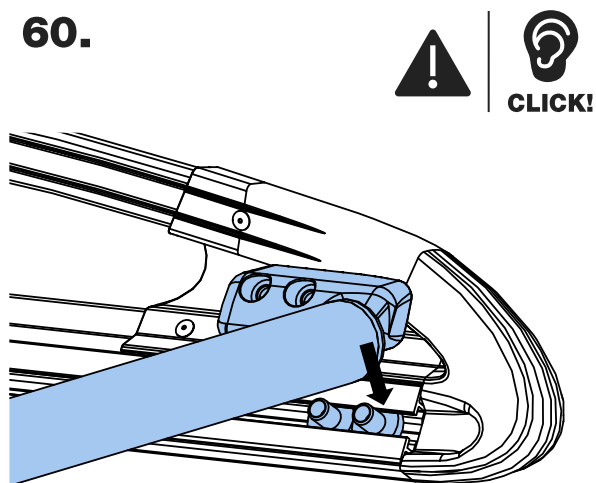
**58.**



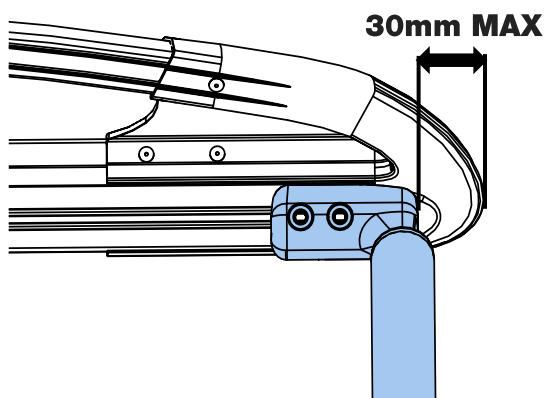
**59.**



**60.**



**61.**



**62.**

