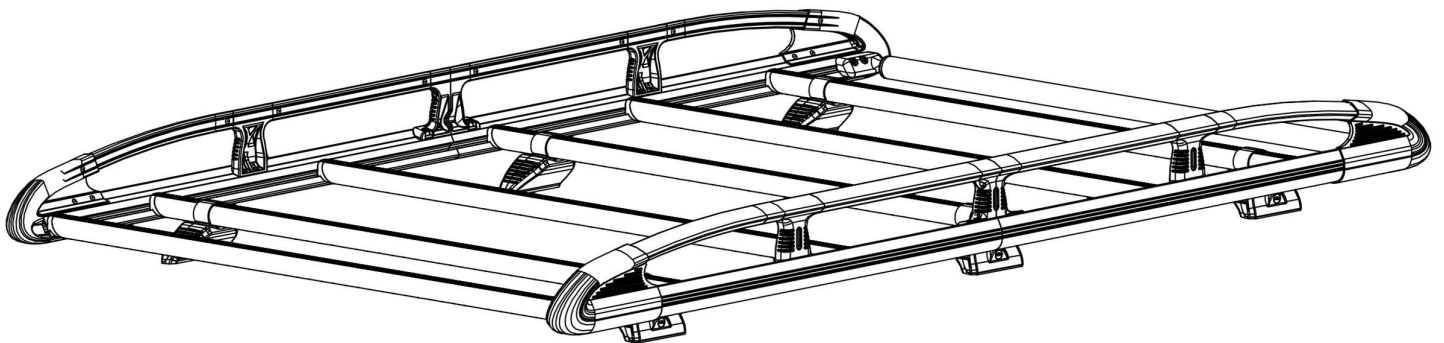


# VE4KR

# KammRack

## Instructions

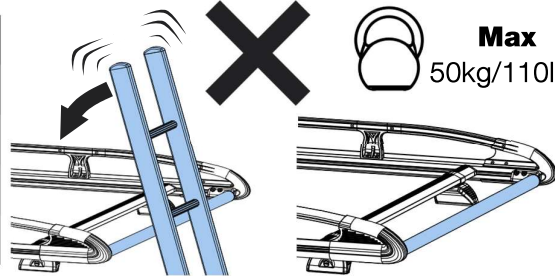
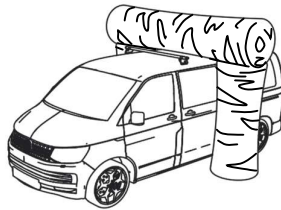
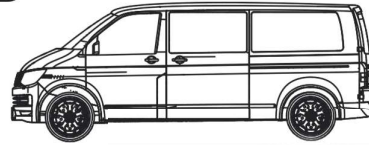


**CITY CRASH** (✓)

According to ISO/ PAS 11154:2006

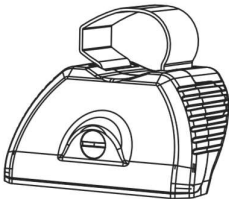
**VE4KR:**

**VW** Crafter 2017-

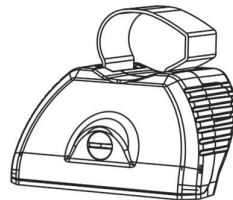


**Max**  
50kg/110lbs

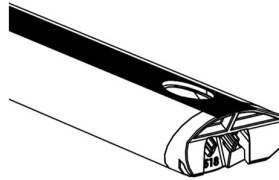
### KammRack



**SA397U x 4**



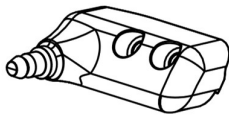
**SA398U x 4**



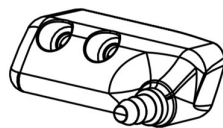
**SA430**



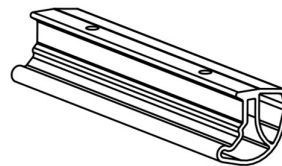
**C04 x 8**  
\*optional upgrade\*



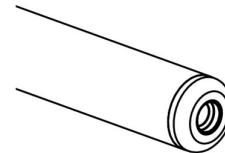
**PS519 x 1**



**PS520 x 1**



**EXT15-02**

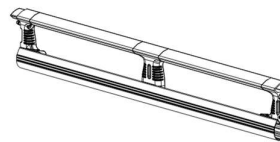
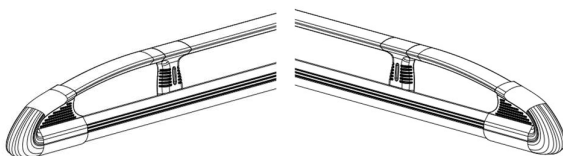


**SA438 x 1**

**LHS x 2**

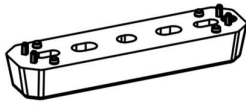
**RHS x 2**

**Centre**

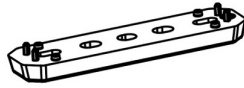


**ASF x 1**

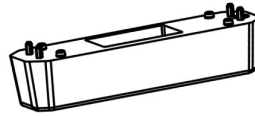
## Fitting Kit



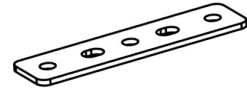
**PS183 x 8**



**PS178 x 6**



**PS180 x 2**



**PS023 x 8**



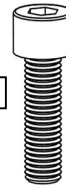
**FS066  
(M8 x 40)  
x 6**



**FS105  
(M8 x 55)  
x 2**



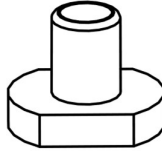
**FS134  
(M8 x 45)  
x 16**



**FS018  
(M8 x 25)  
x 22**



**FN006 (M8) x 16**



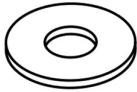
**FN085 x 22**



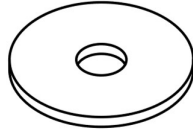
**FT01 x 1**



**FT05 x 1**



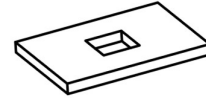
**FW002 (M8) x 16**



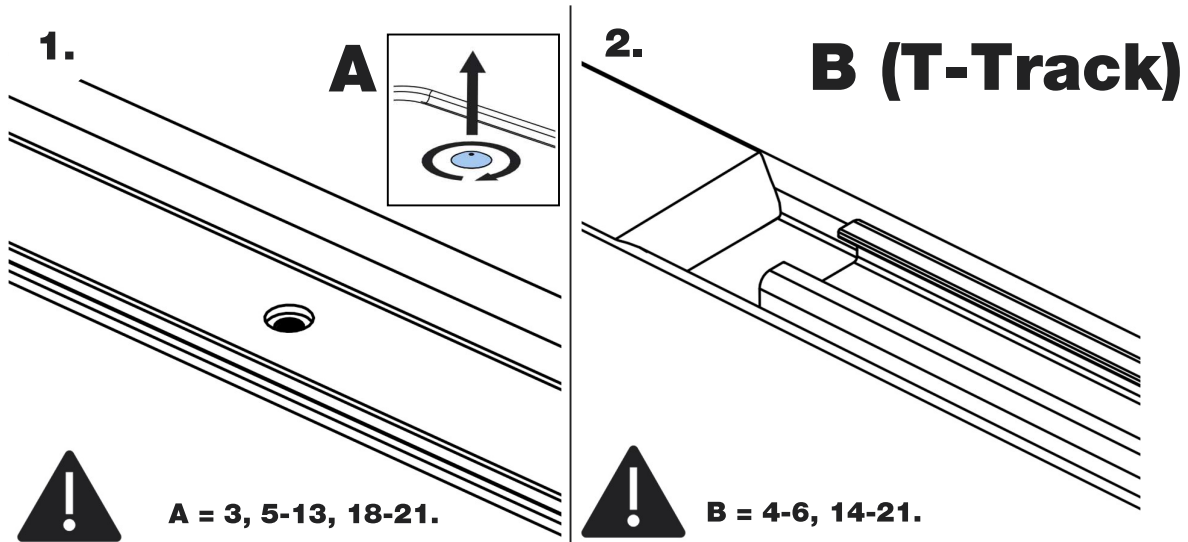
**PS208 (M8) x 8**







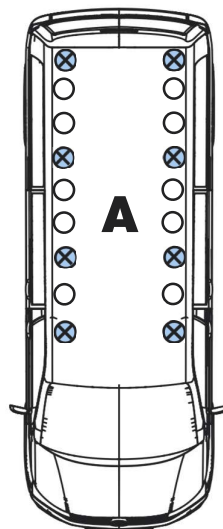
**PS020 (M8) x 8**











**MS209 (M8) x 16**

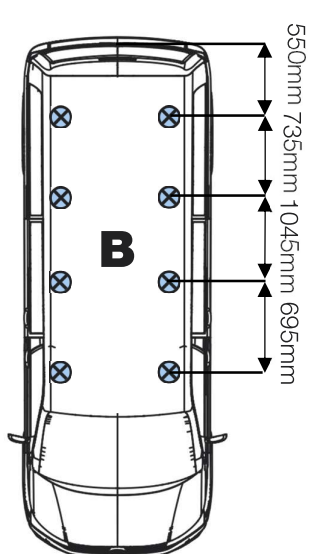




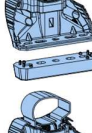

- 3.**
-  **SA397U**  
**PS180**
  -  **SA397U**  
**PS178**
  -  **SA397U**  
**PS178**
  -  **SA397U**  
**PS178**



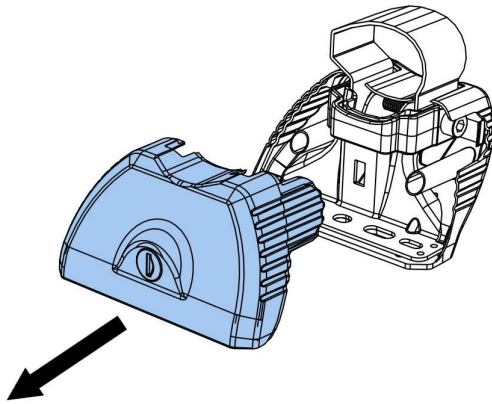
-  **SA398U**  
**PS180**
-  **SA398U**  
**PS178**
-  **SA398U**  
**PS178**
-  **SA398U**  
**PS178**

- 4.**
-  **SA397U**  
**PS183**
  -  **SA397U**  
**PS183**
  -  **SA397U**  
**PS183**
  -  **SA397U**  
**PS183**

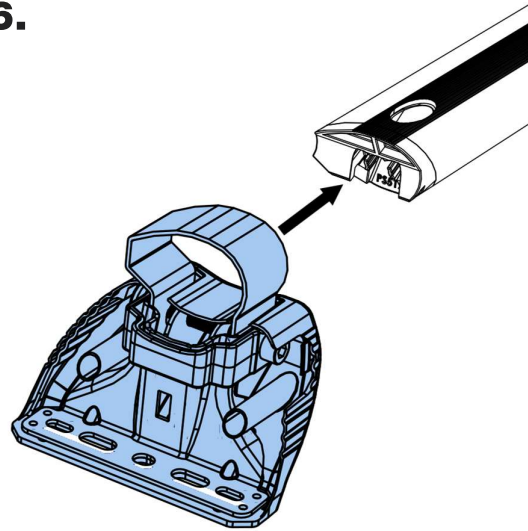


-  **SA398U**  
**PS183**
-  **SA398U**  
**PS183**
-  **SA398U**  
**PS183**
-  **SA398U**  
**PS183**

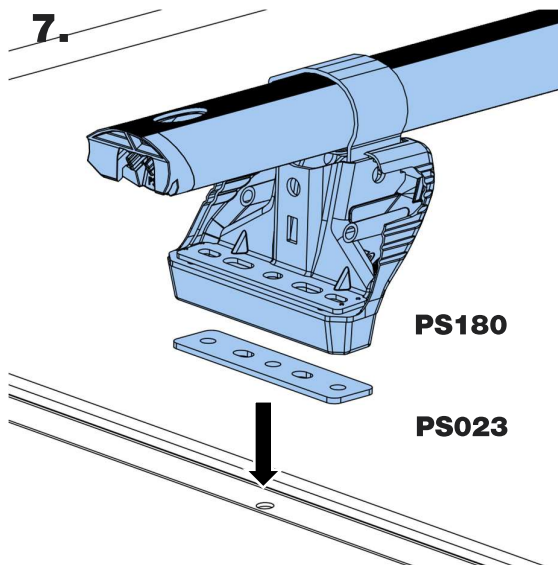
5.



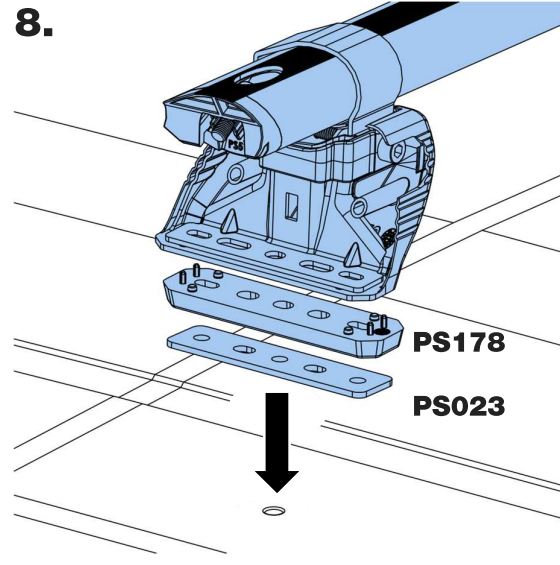
6.



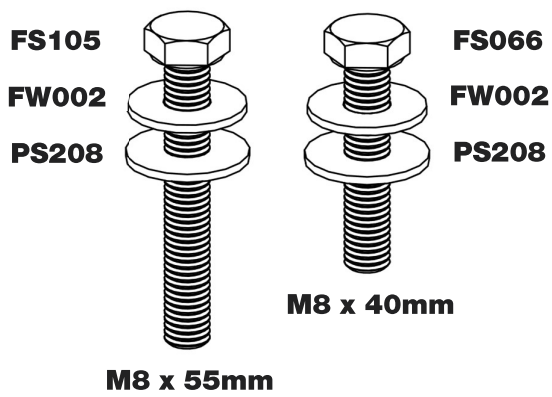
7.



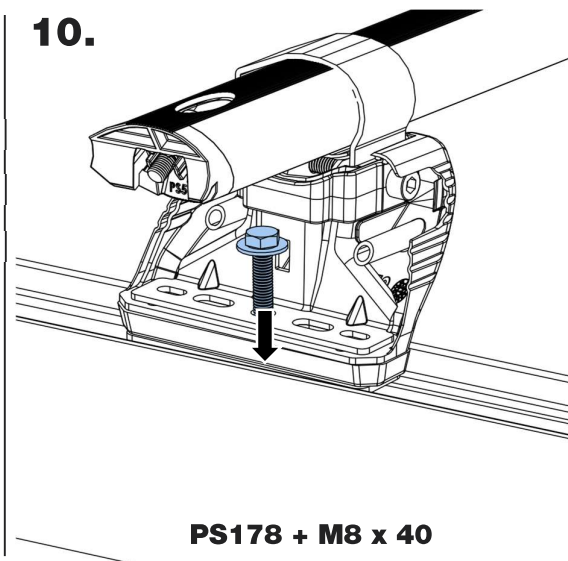
8.



9.

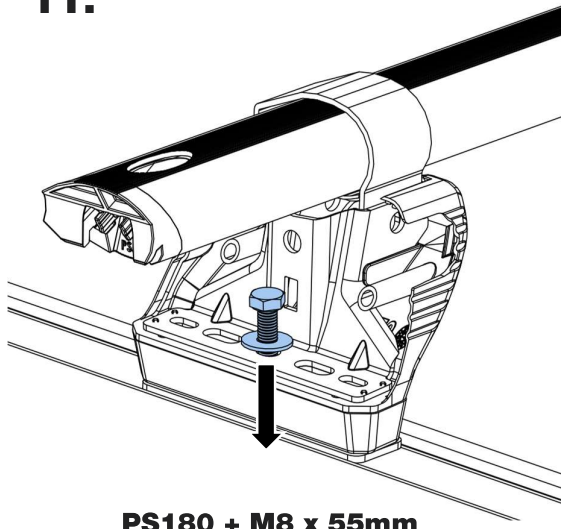


10.





11.



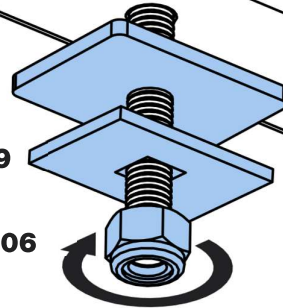
PS180 + M8 x 55mm

12.

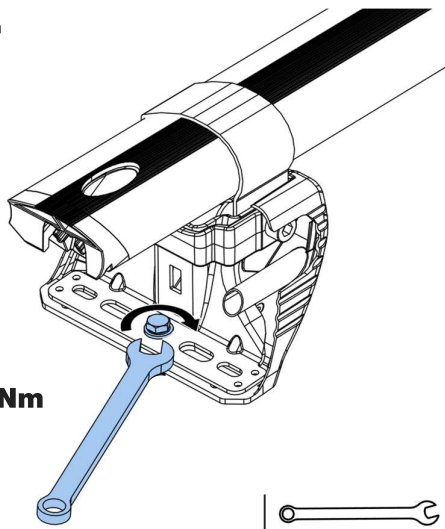
PS020

MS209

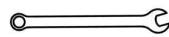
FN006



13.



12 Nm



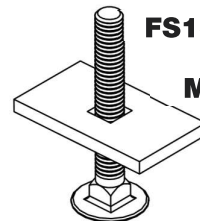
13mm x 2

14.

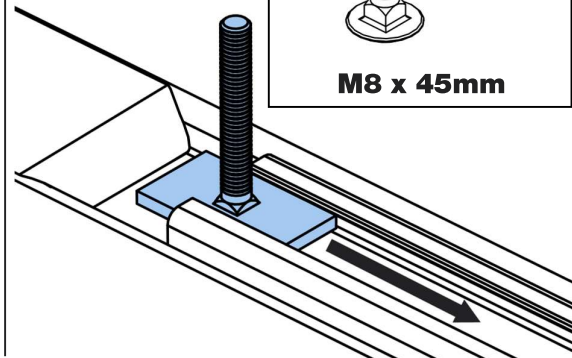
**B**

FS134

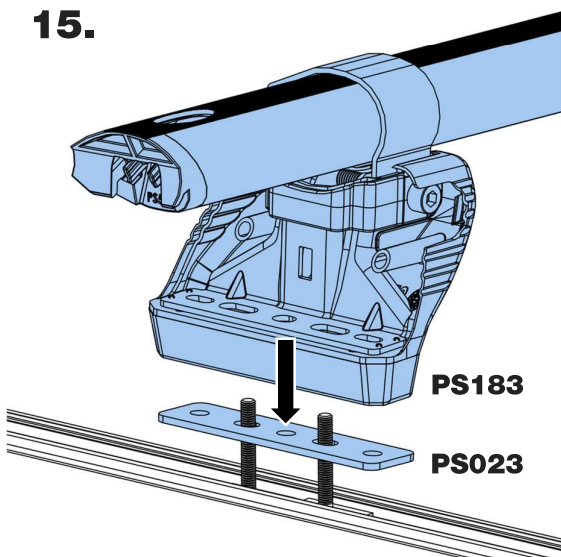
MS209



M8 x 45mm



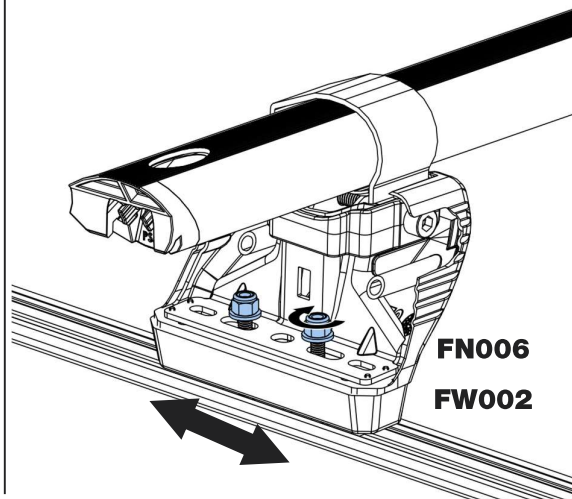
15.



PS183

PS023

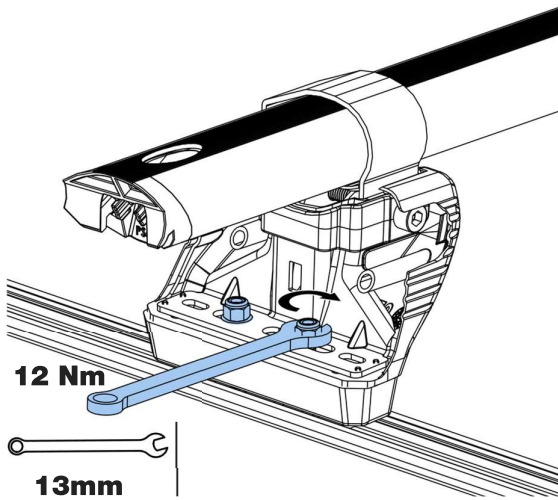
16.



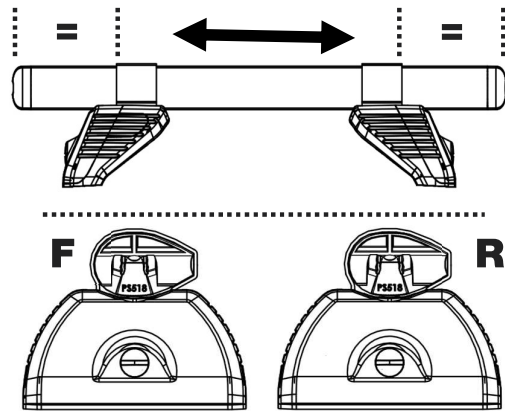
FN006

FW002

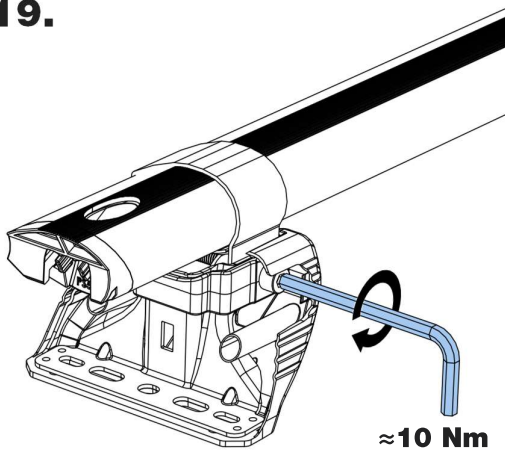
17.



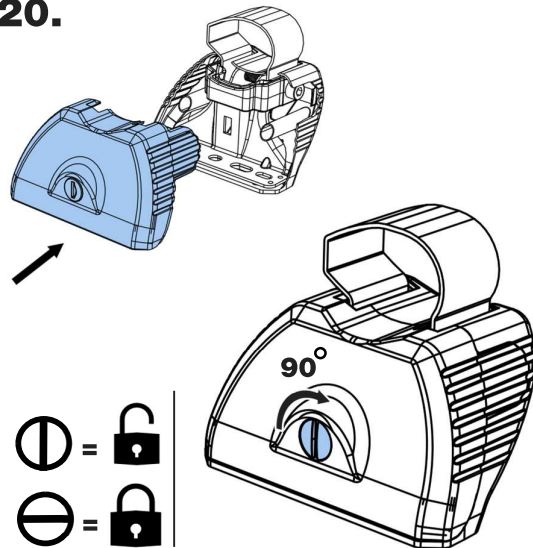
18.



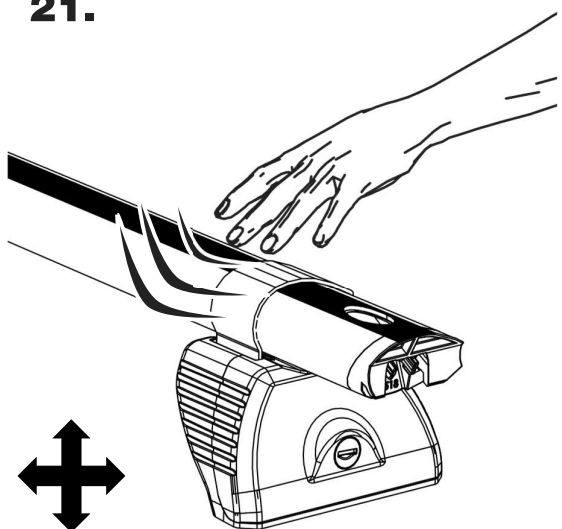
19.



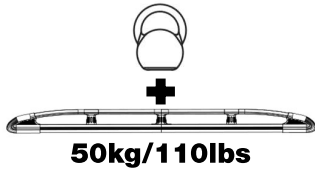
20.



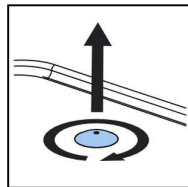
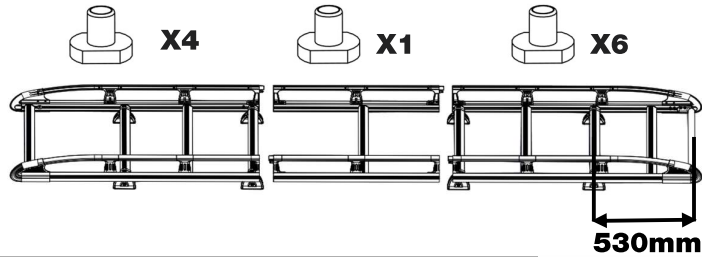
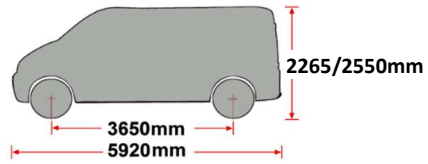
21.



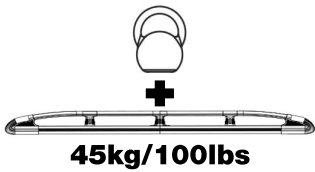
**K666- Crafter/TGE 2017- L3, H2, Twin Doors**  
**K666- Crafter/TGE 2017- L3, H3, Twin Doors**



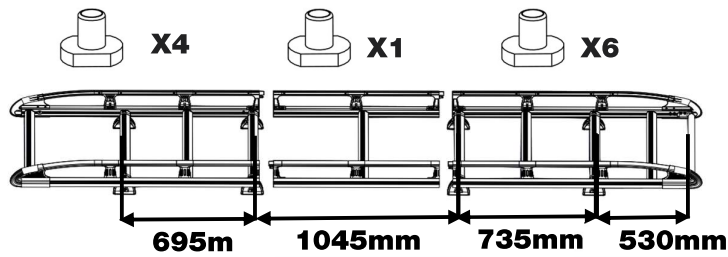
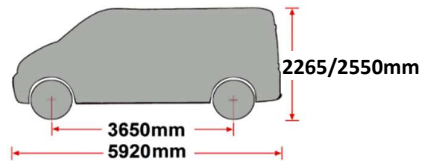
**150kg Max**



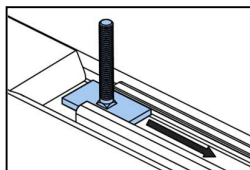
**K666- Crafter/TGE 2017- L3, H2, Twin Doors**  
**K666- Crafter/TGE 2017- L3, H3, Twin Doors**



**150kg Max**

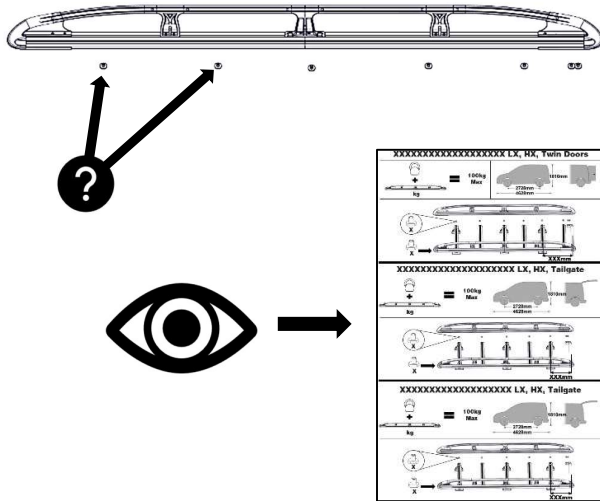


**T-Track Only!**

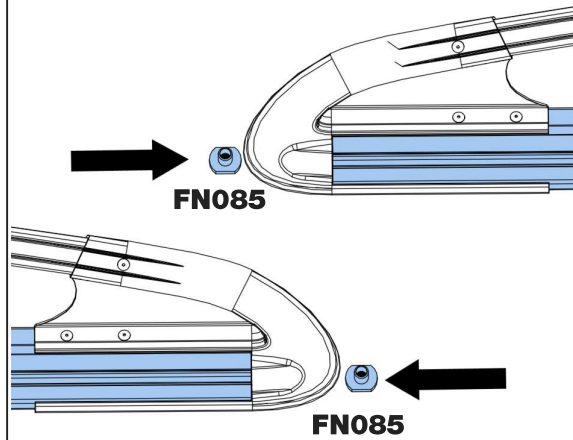




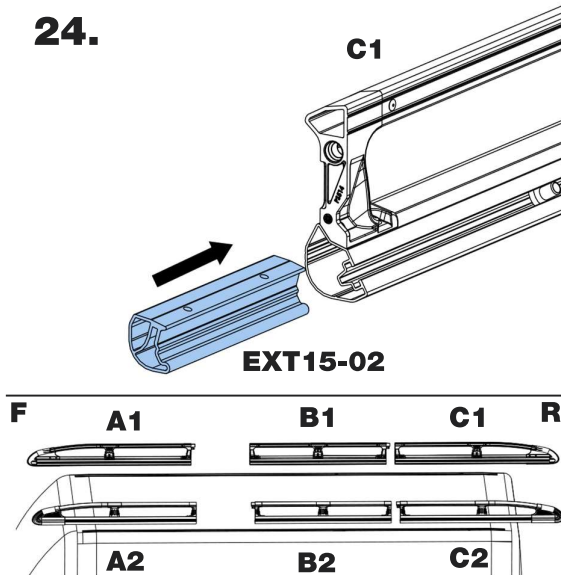
22.



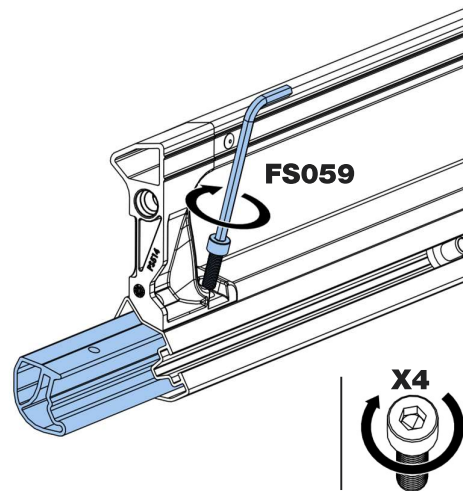
23.



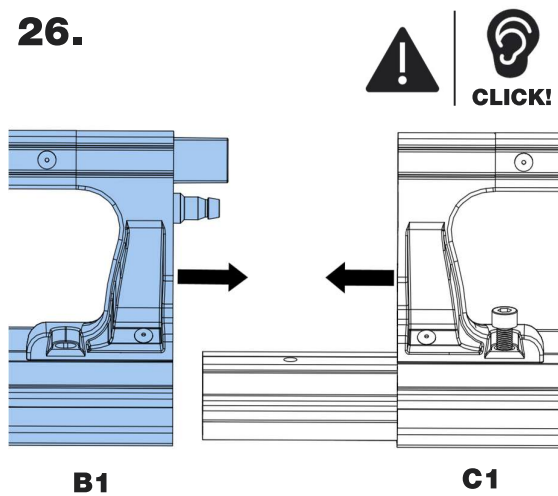
24.



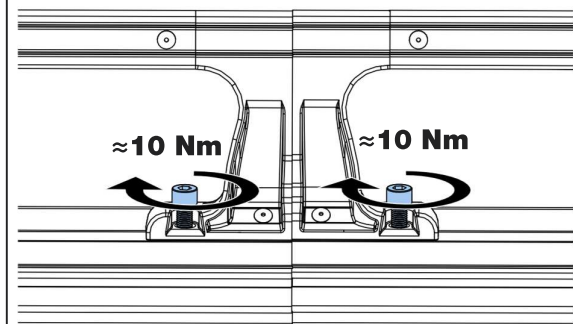
25.



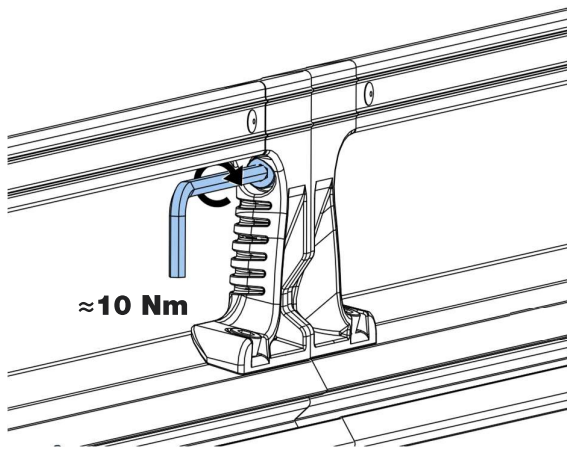
26.



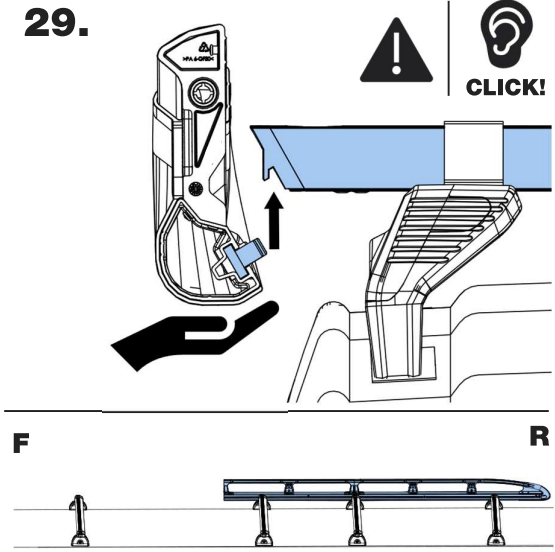
27.



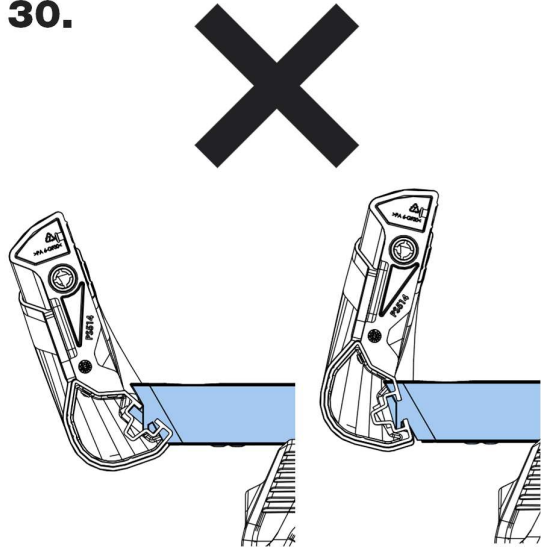
28.



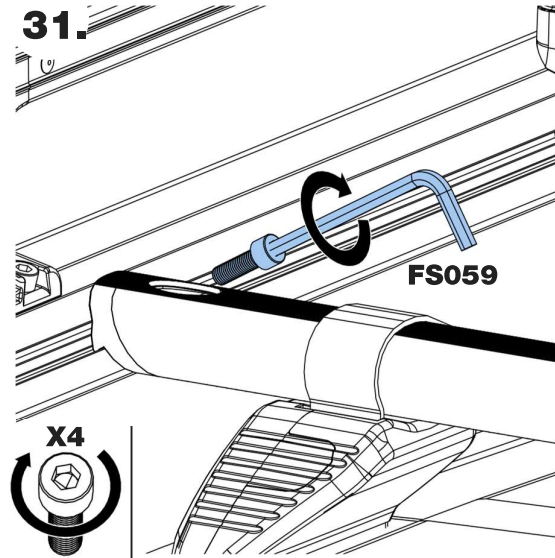
29.



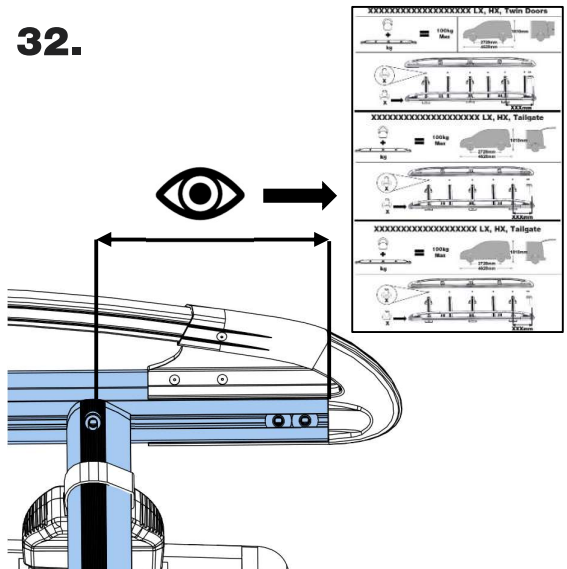
30.



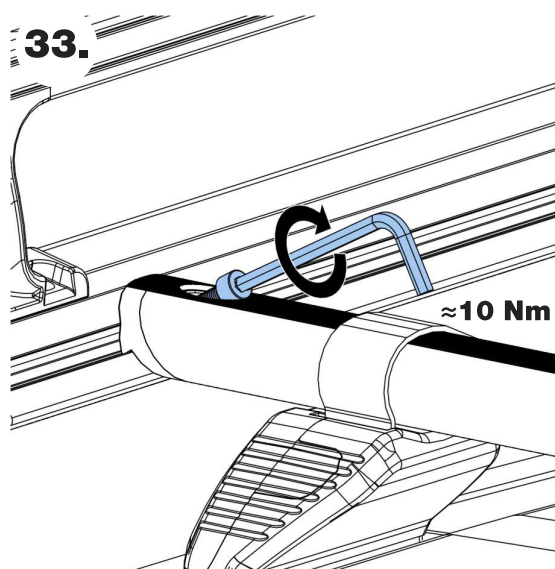
31.



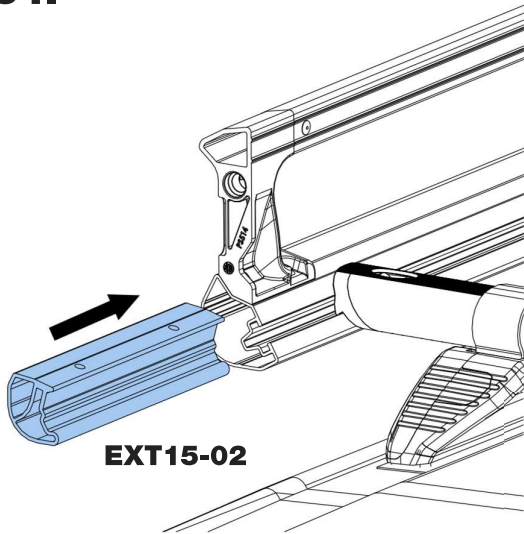
32.



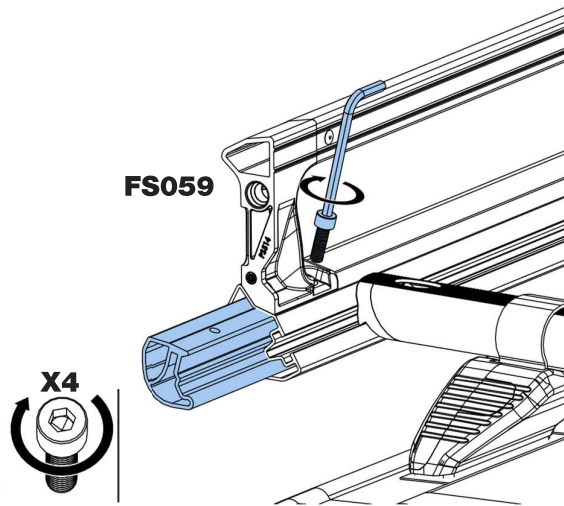
33.



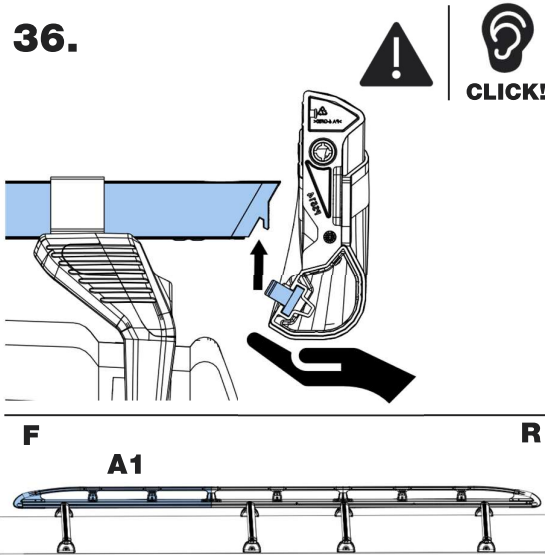
34.



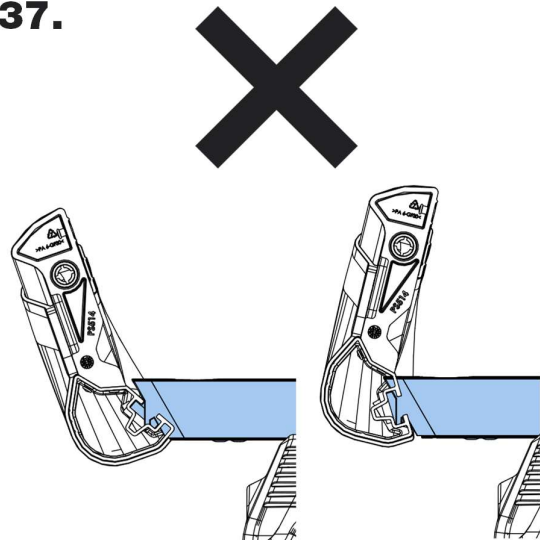
35.



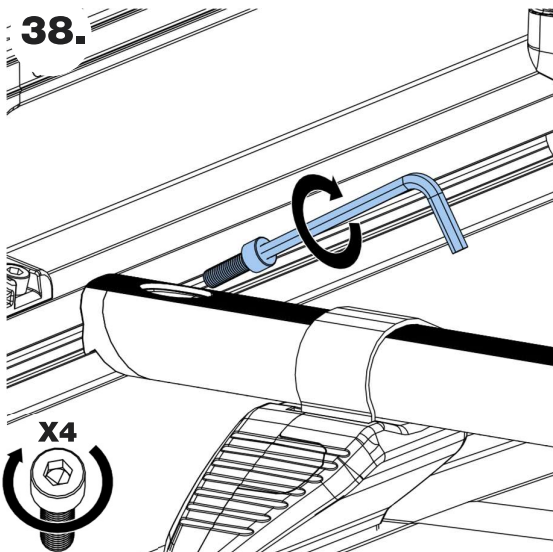
36.



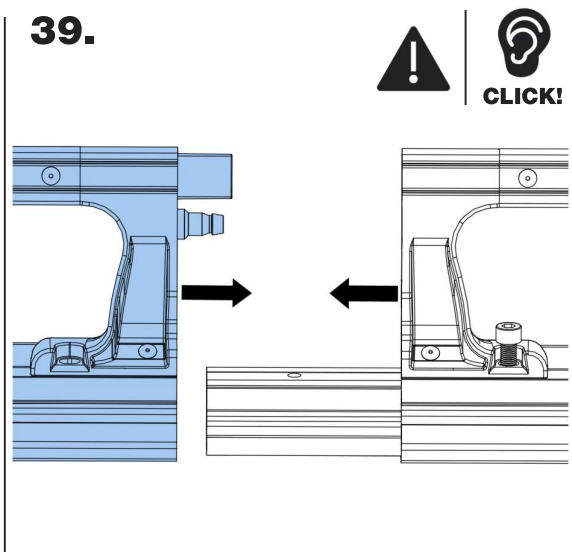
37.



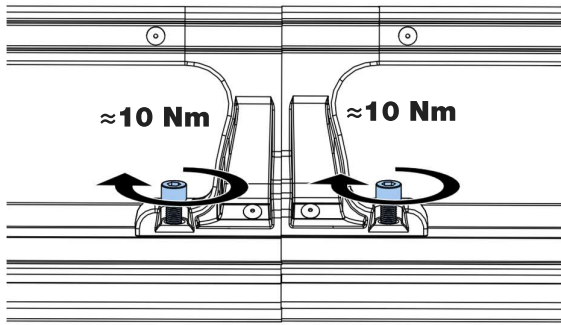
38.



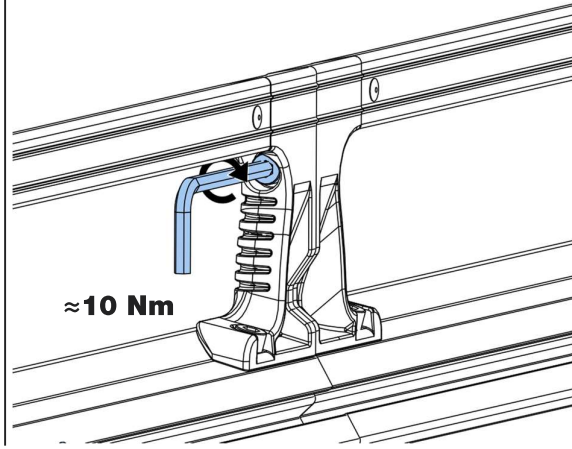
39.



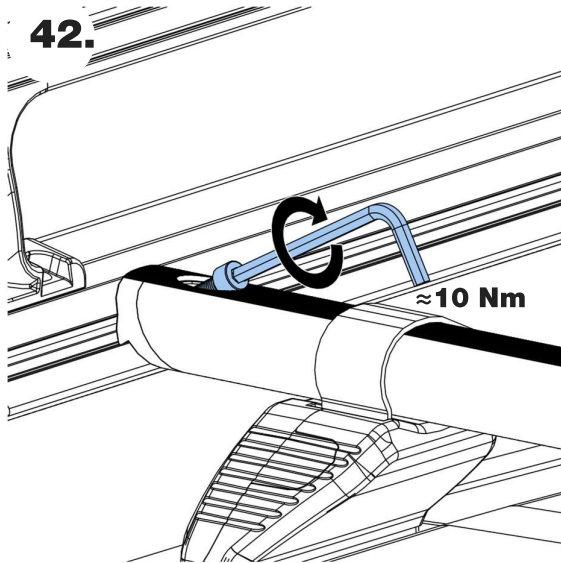
40.



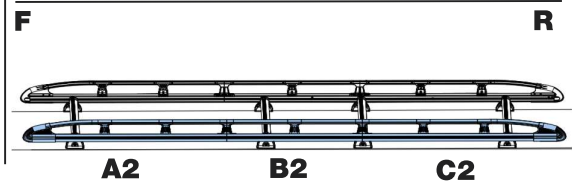
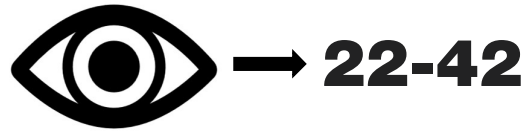
41.



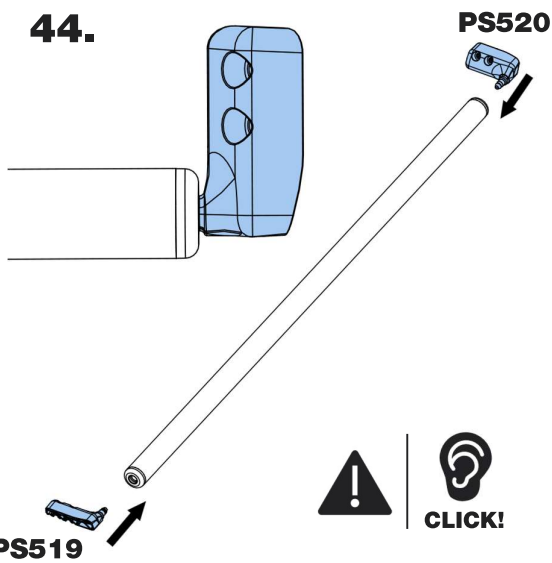
42.



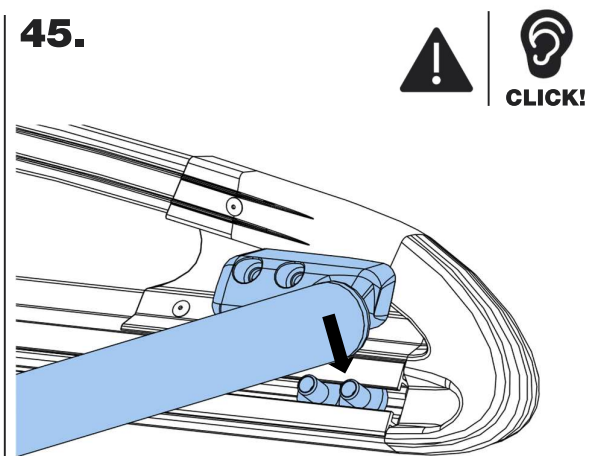
43.



44.

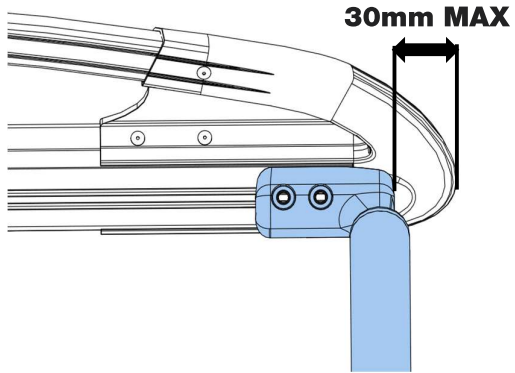


45.

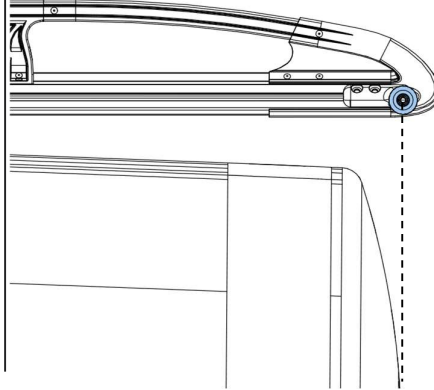




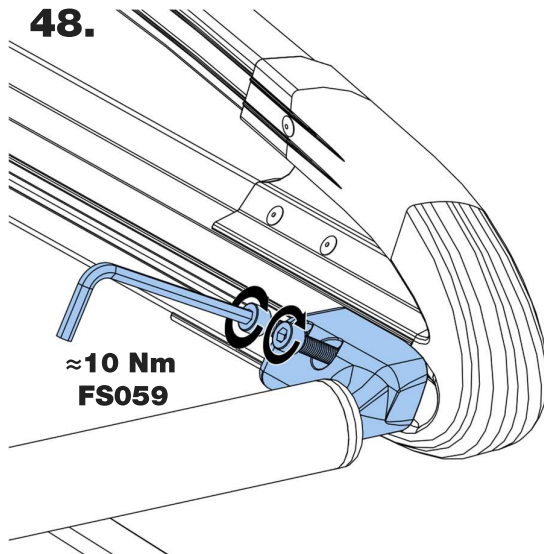
46.



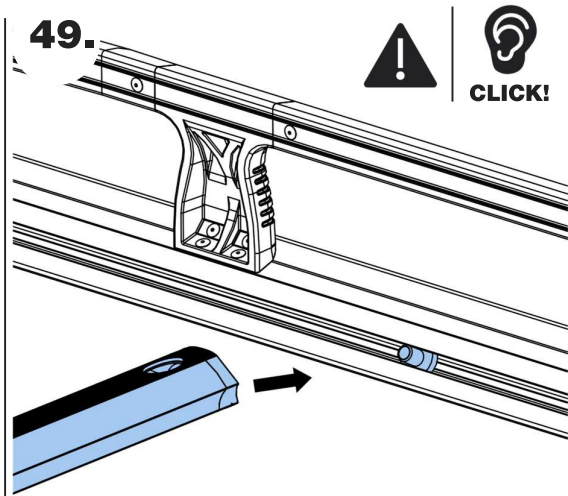
47.



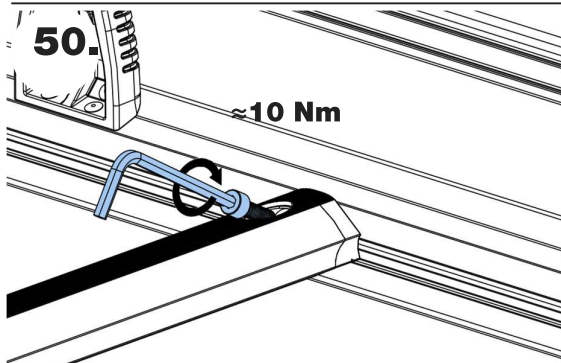
48.



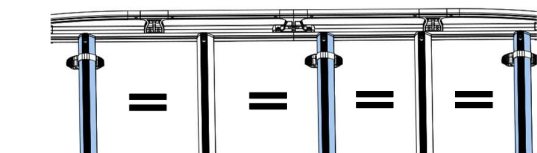
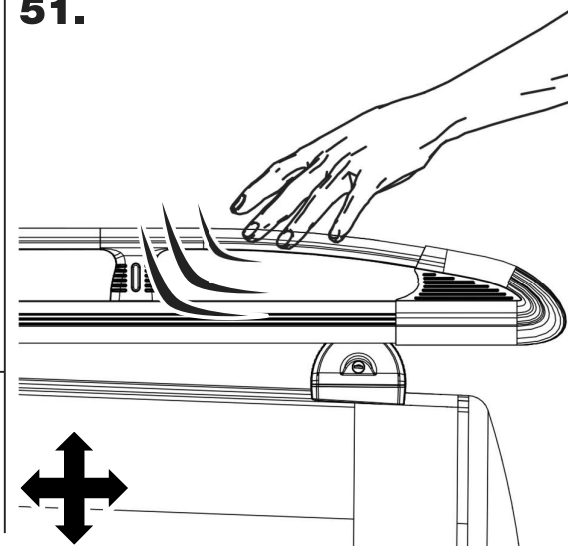
49.



50.

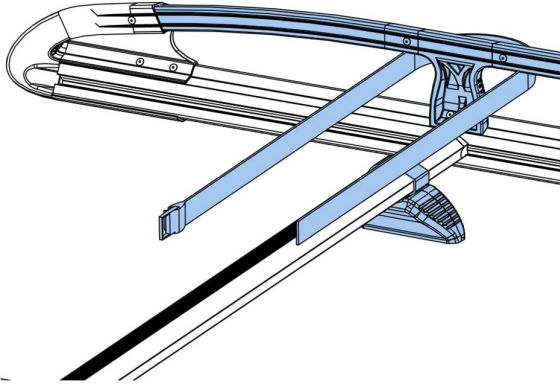


51.





**52.**



**53.**

