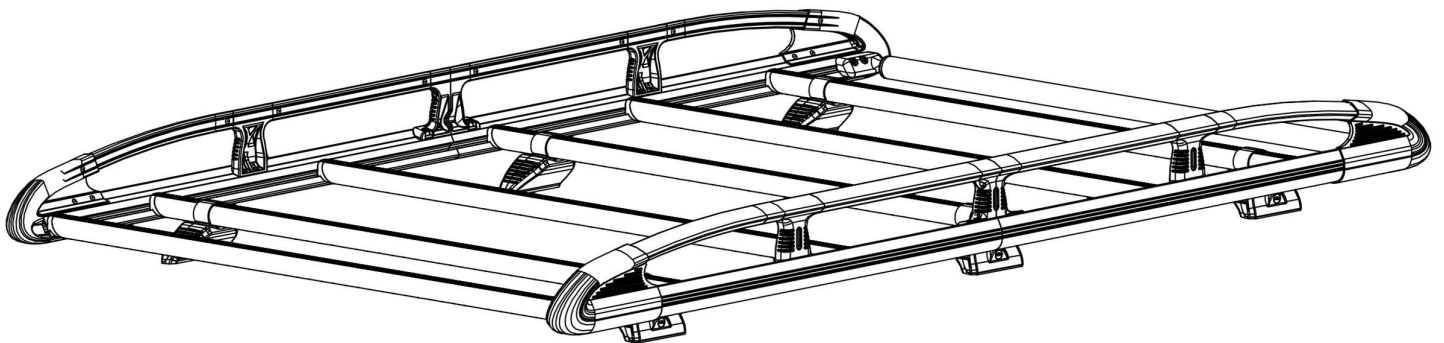


VF4KR

KammRack

Instructions

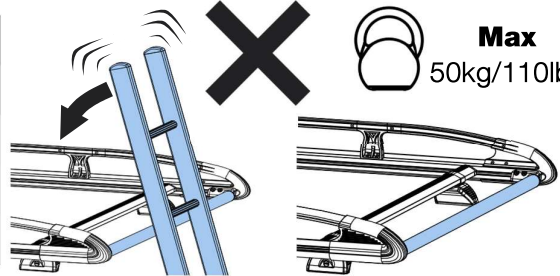
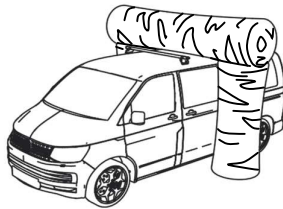
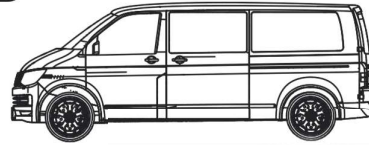


CITY CRASH (✓)

According to ISO/ PAS 11154:2006

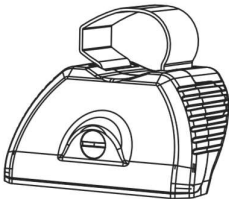
VF4KR:

VW Crafter 2017-

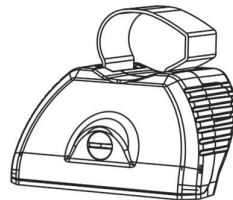


Max
50kg/110lbs

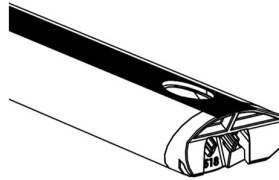
KammRack



SA397U x 4



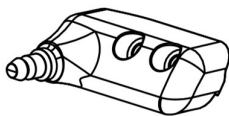
SA398U x 4



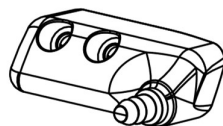
SA430



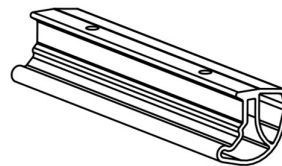
C04 x 8
optional upgrade



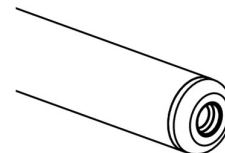
PS519 x 1



PS520 x 1



EXT15-02

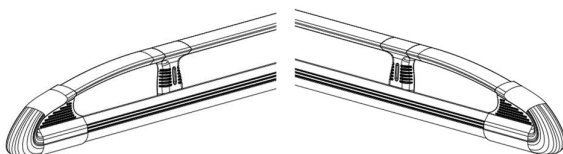


SA438 x 1

LHS x 2

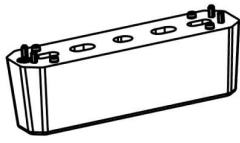
RHS x 2

Centre

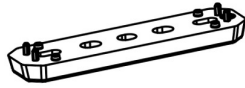


ASF

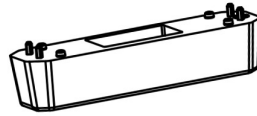
Fitting Kit



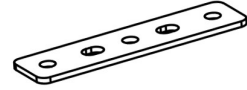
PS325 x 2



PS178 x 6



PS180 x 2



PS023 x 8



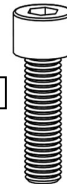
**FS107
(M8 x 75)
x 2**



**FS081
(M8 x 50)
x 6**



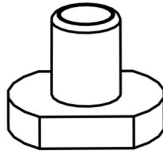
**FS134
(M8 x 45)
x 16**



**FS018
(M8 x 25)
x 24**



FN006 (M8) x 16



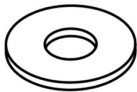
FN085 x 24



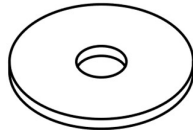
FT01 x 1



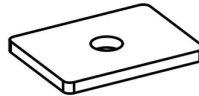
FT05 x 1



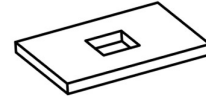
FW002 (M8) x 16



PS208 (M8) x 8

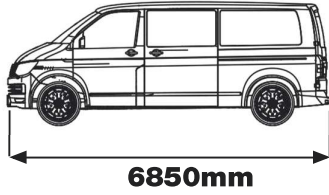


PS020 (M8) x 8

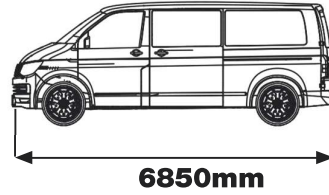


MS209 (M8) x 16

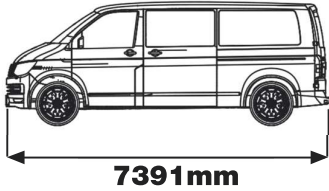
L4 = A



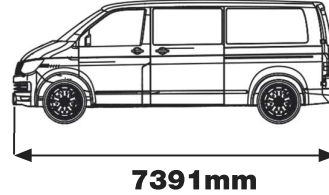
L4 (T-Track) = C



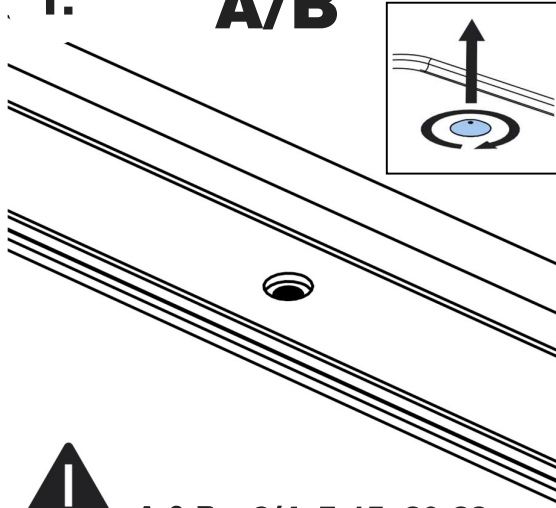
L5 = B



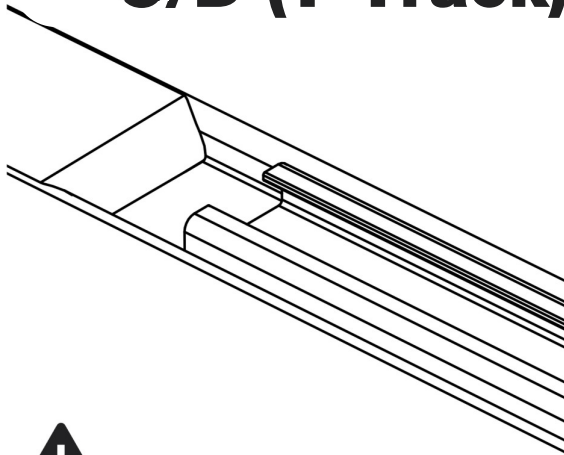
L5 (T-Track) = D



1. A/B



2. C/D (T-Track)



A & B = 3/4, 7-15, 20-23



C & D = 5/6, 7-8, 16-23.

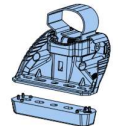
3.



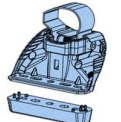
**SA397U
PS325**



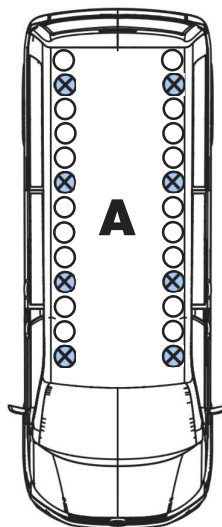
**SA397U
PS183**



**SA397U
PS183**



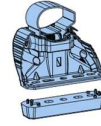
**SA397U
PS183**



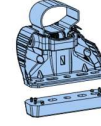
**SA398U
PS325**



**SA398U
PS183**



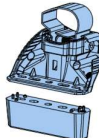
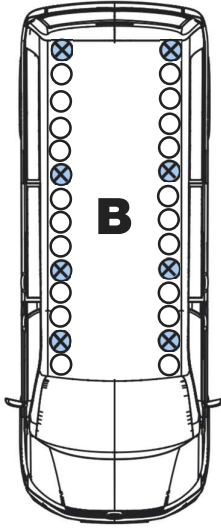





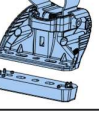

**SA398U
PS183**




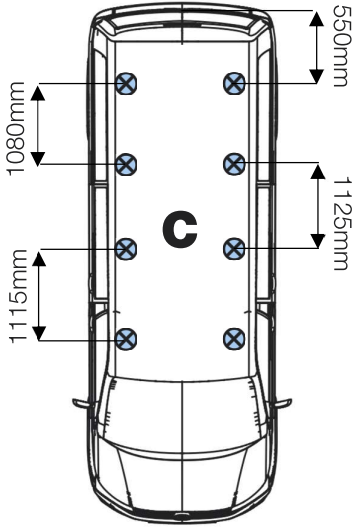

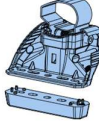





**SA398U
PS183**




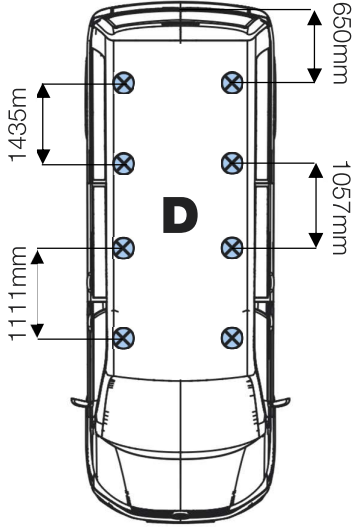



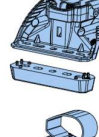



4.

	SA397U PS325		SA398U PS325	
	SA397U PS183		SA398U PS183	
	SA397U PS183		SA398U PS183	
	SA397U PS183		SA398U PS183	

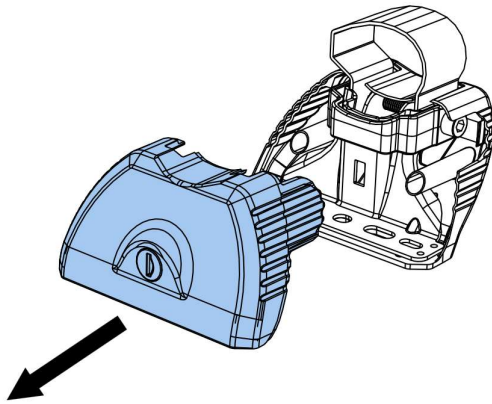
5.

	SA397U PS325		SA398U PS325	
	SA397U PS183		SA398U PS183	
	SA397U PS183		SA398U PS183	
	SA397U PS183		SA398U PS183	

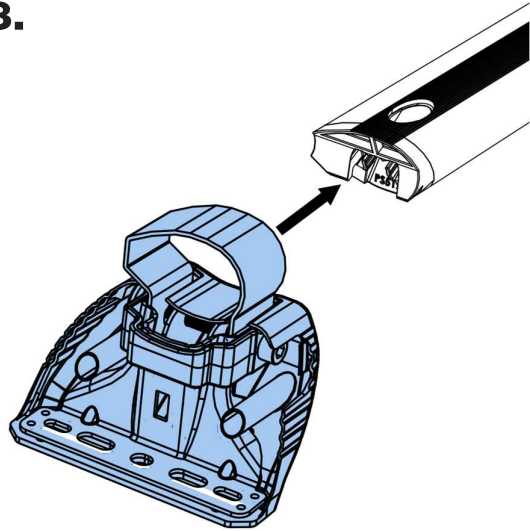
6.

	SA397U PS183		SA398U PS183	
	SA397U PS183		SA398U PS183	
	SA397U PS183		SA398U PS183	
	SA397U PS183		SA398U PS183	

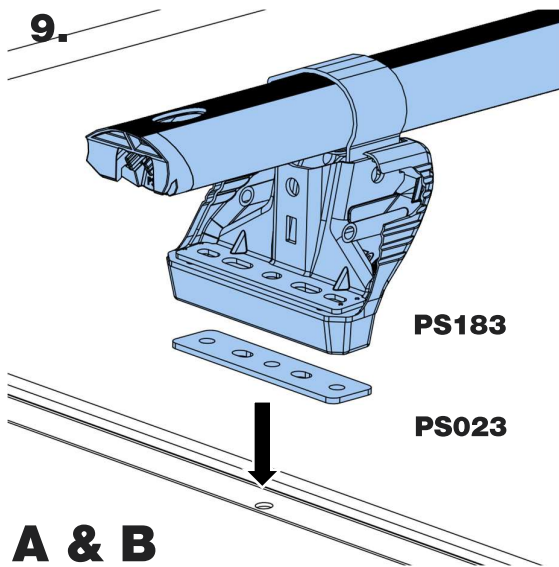
7.



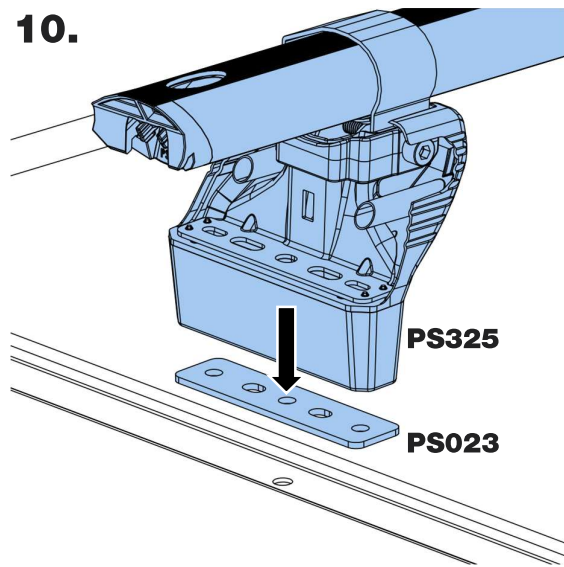
8.



9.

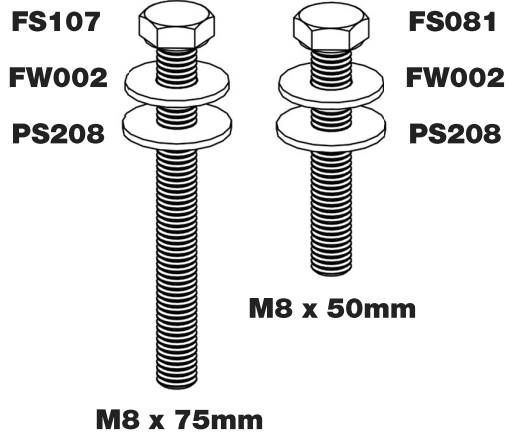


10.

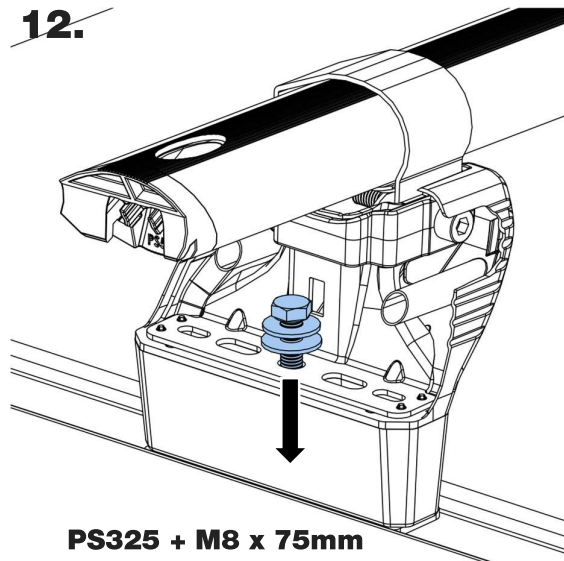


A & B

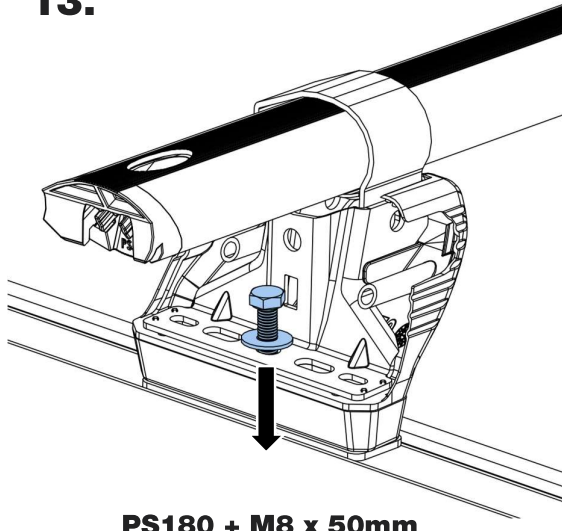
11.



12.



13.



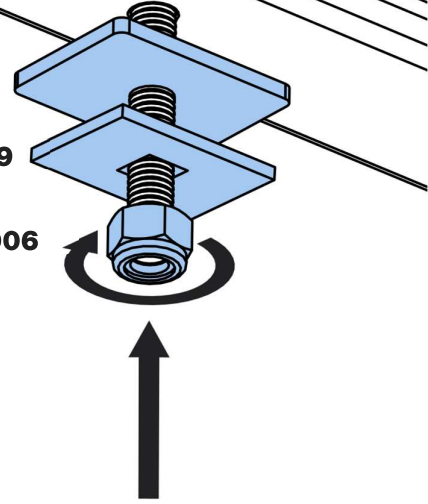
PS180 + M8 x 50mm

14.

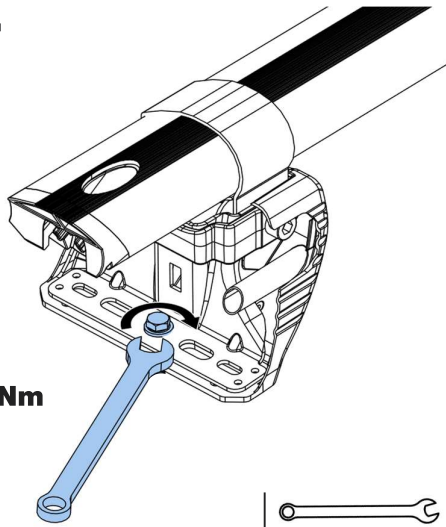
PS020

MS209

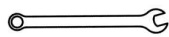
FN006



15.



12 Nm



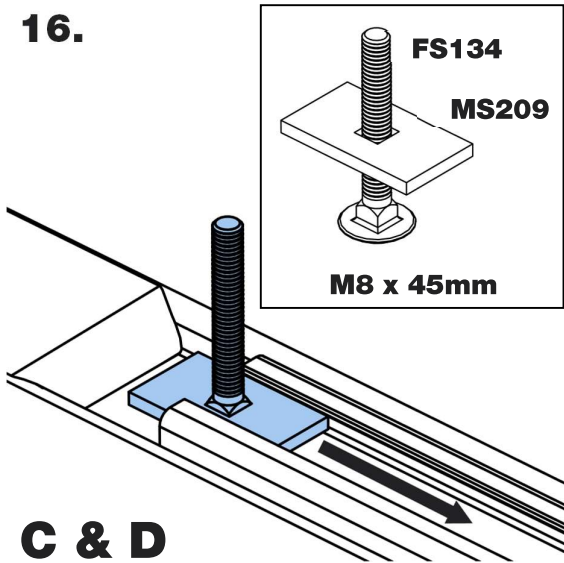
13mm x 2

16.

FS134

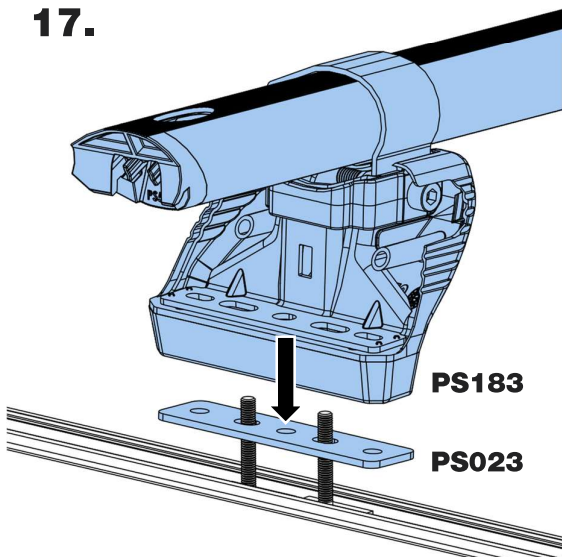
MS209

M8 x 45mm



C & D

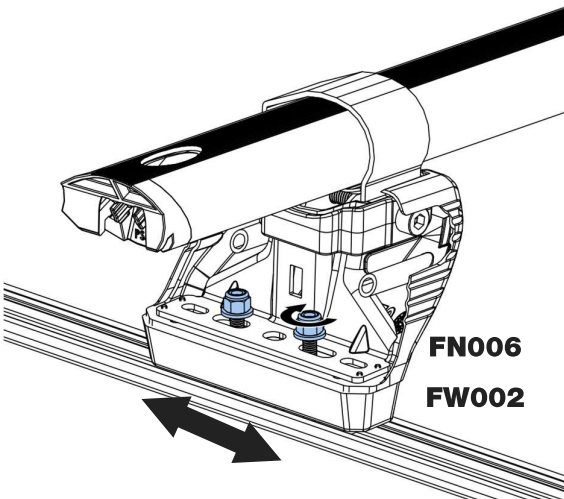
17.



PS183

PS023

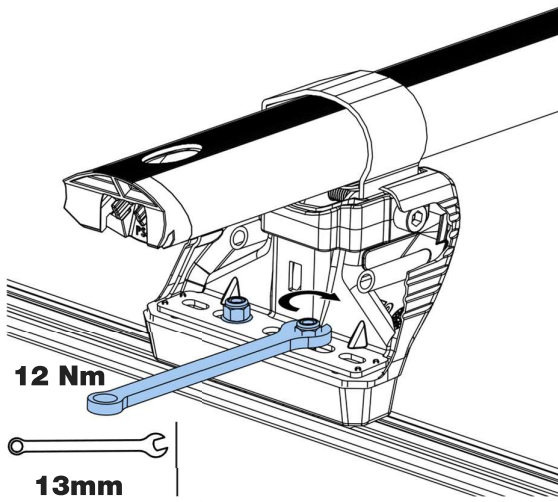
18.



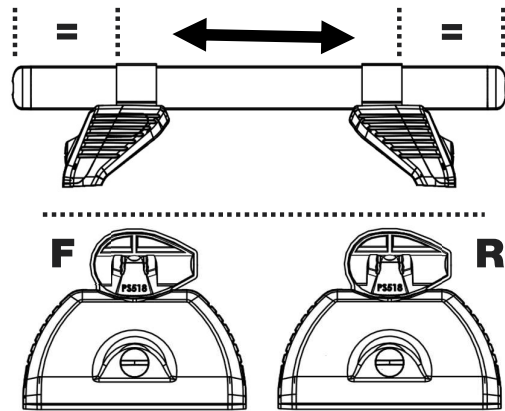
FN006

FW002

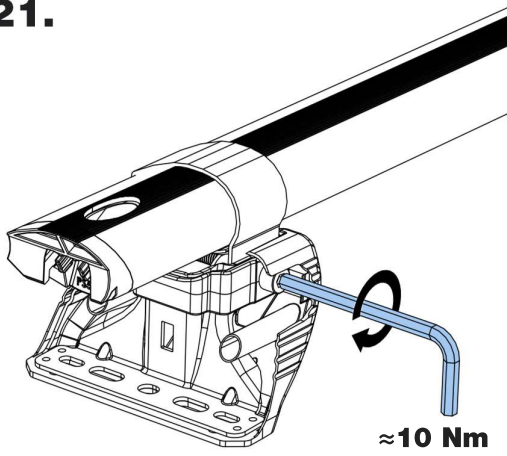
19.



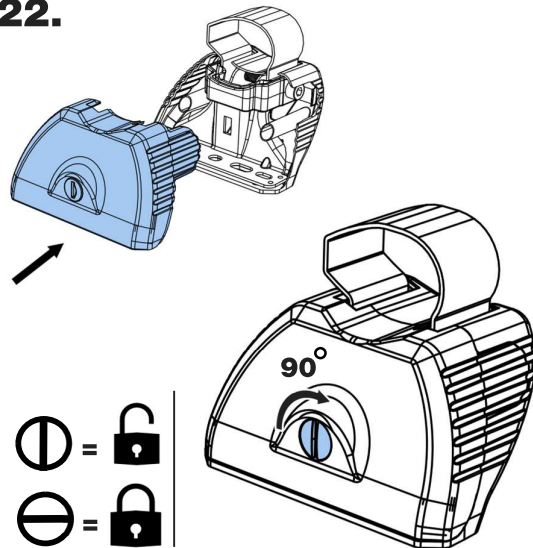
20.



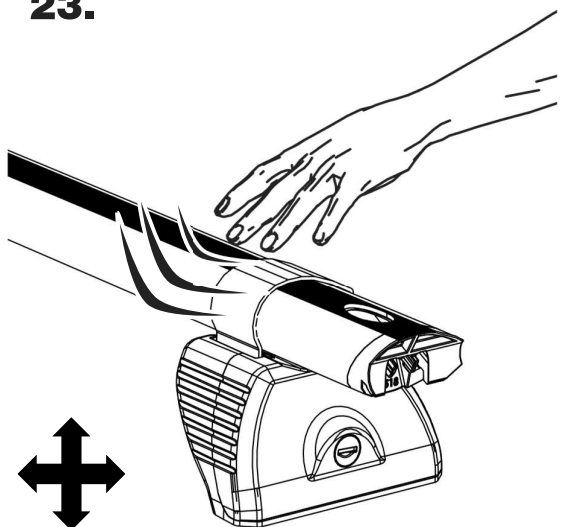
21.



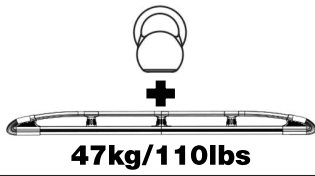
22.



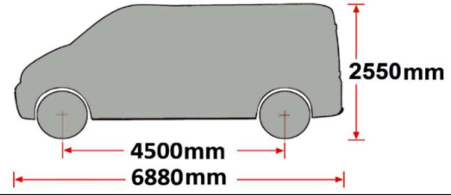
23.



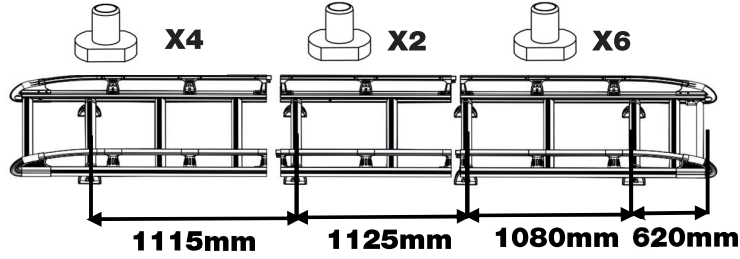
K667- Crafter/TGE 2017- L4, H3, Twin Doors



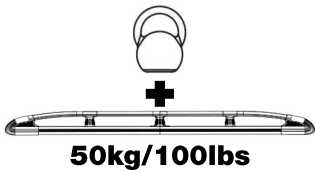
= 150kg Max



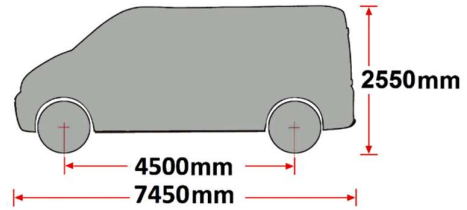
A



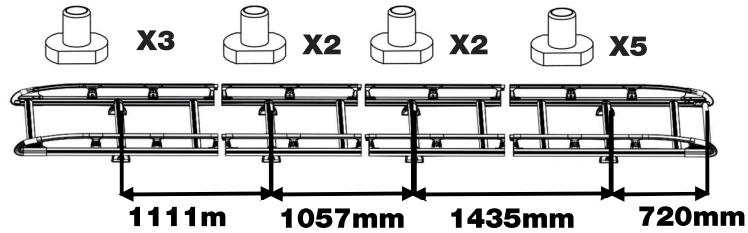
K670- Crafter/TGE 2017- L5, H3, Twin Doors



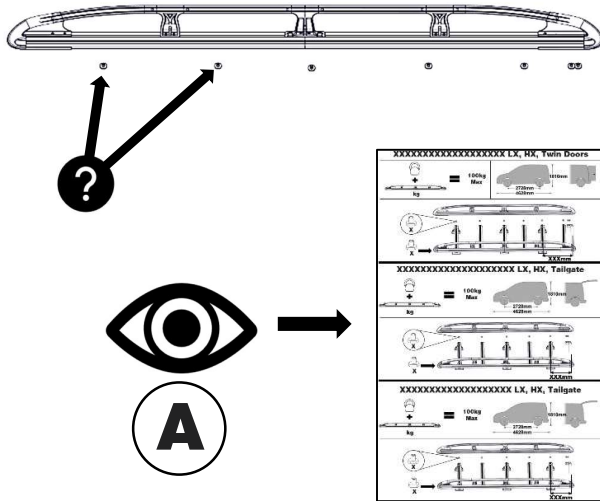
= 150kg Max



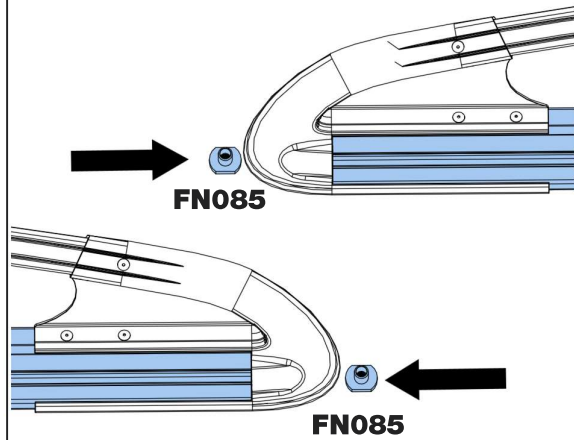
B



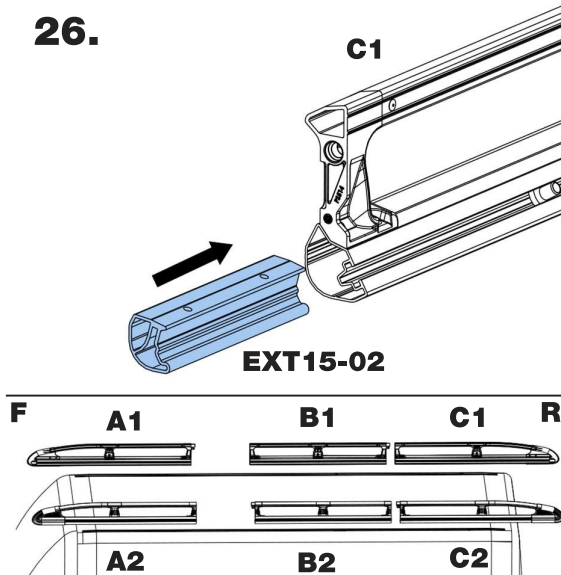
24.



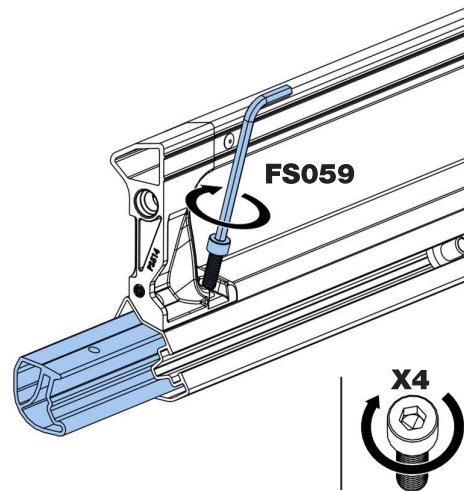
25.



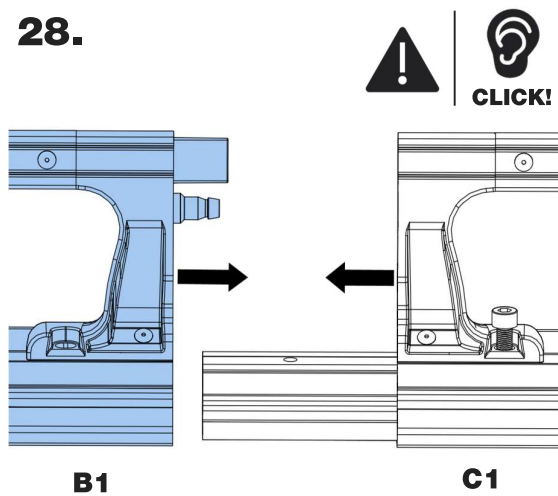
26.



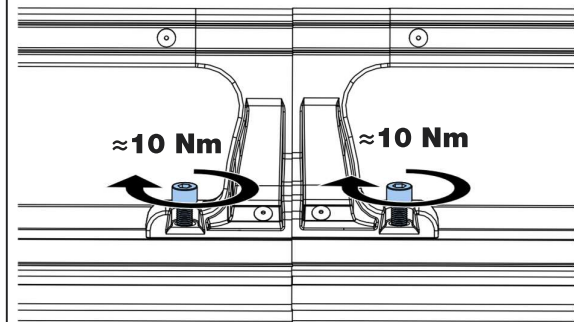
27.



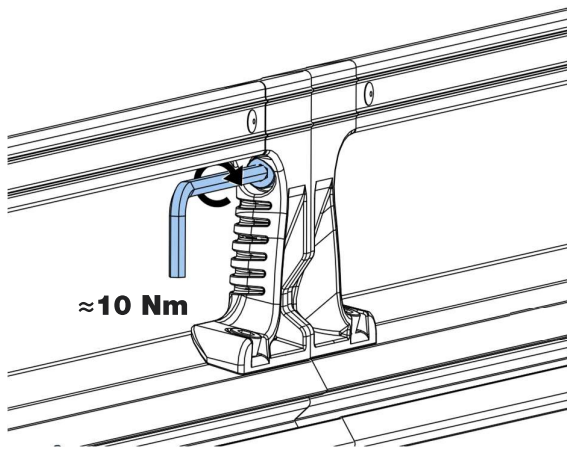
28.



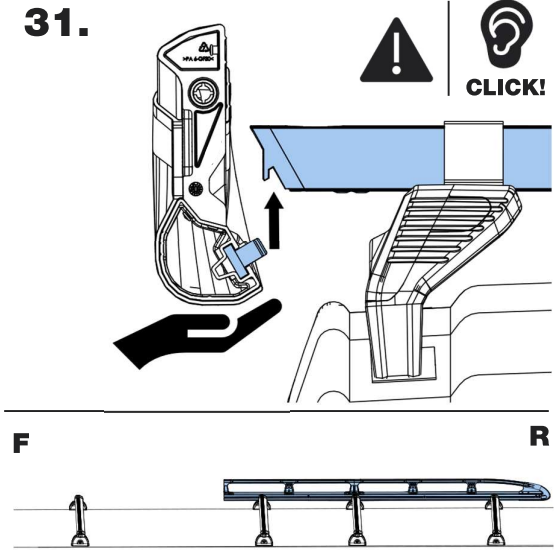
29.



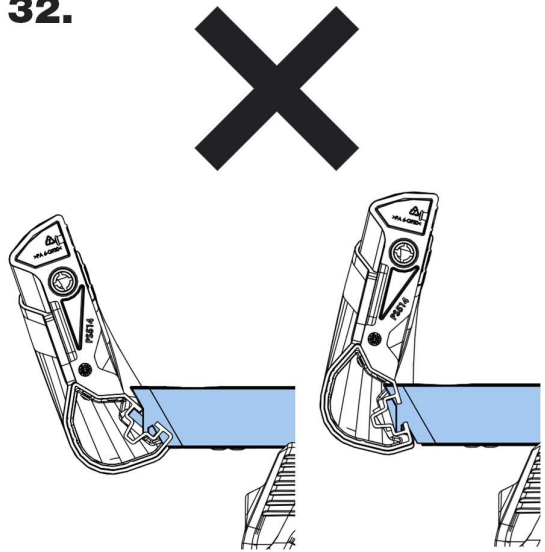
30.



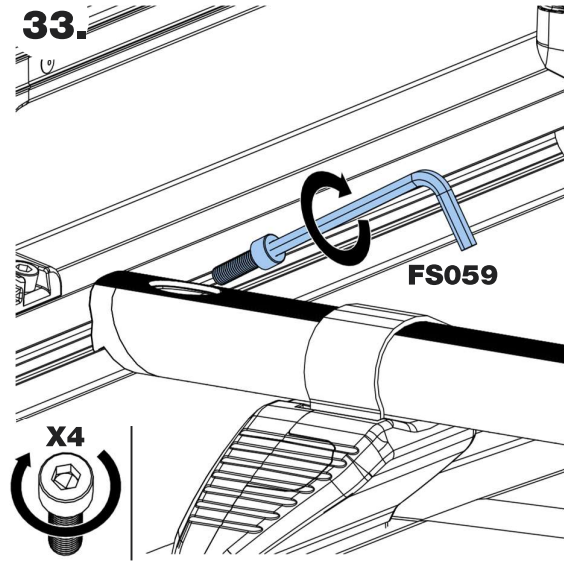
31.



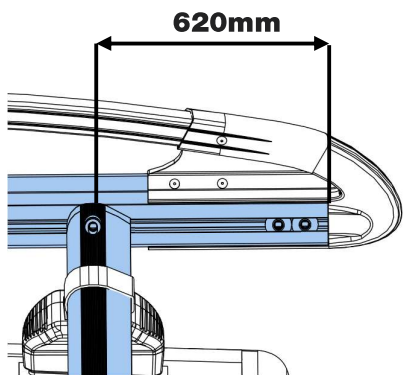
32.



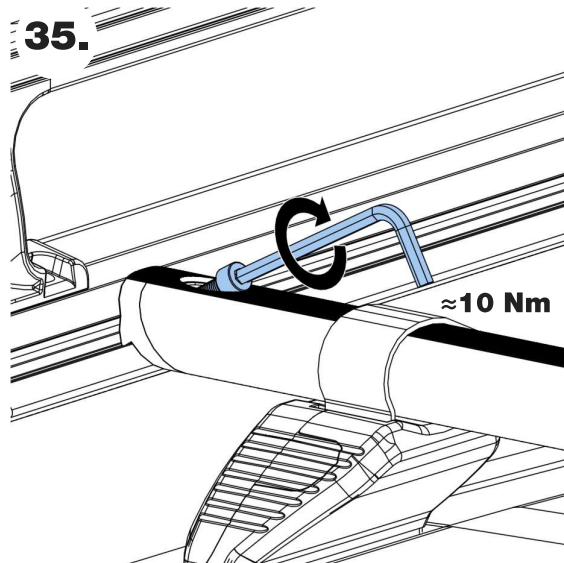
33.



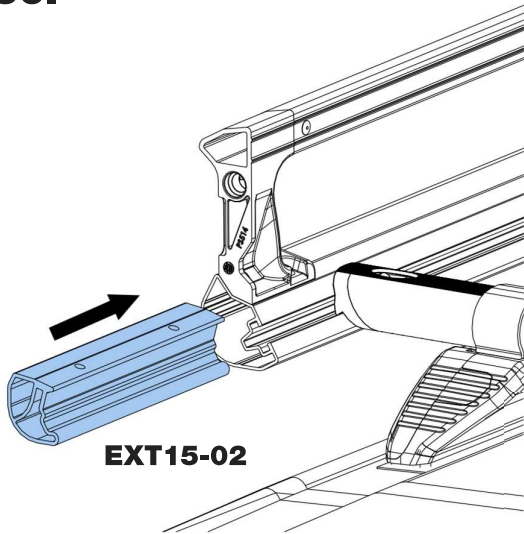
34.



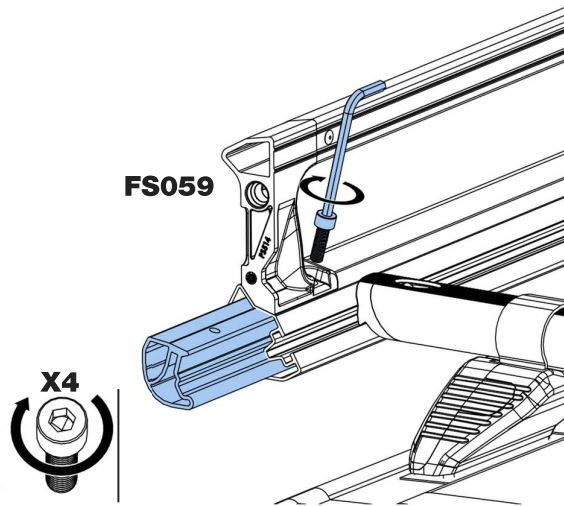
35.



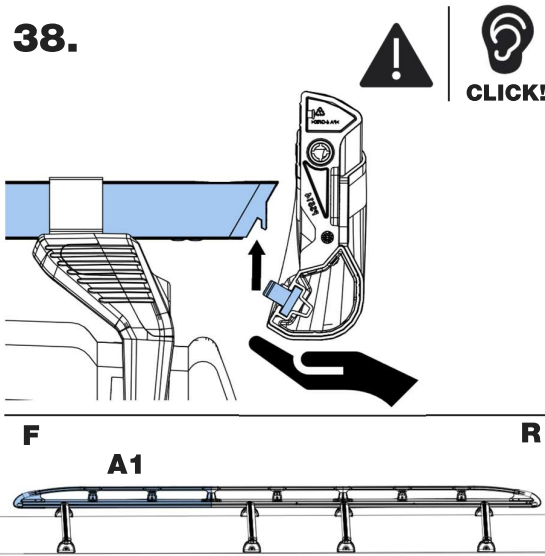
36.



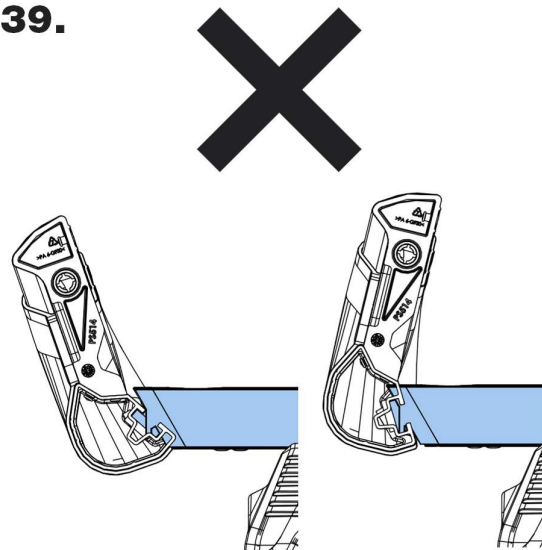
37.



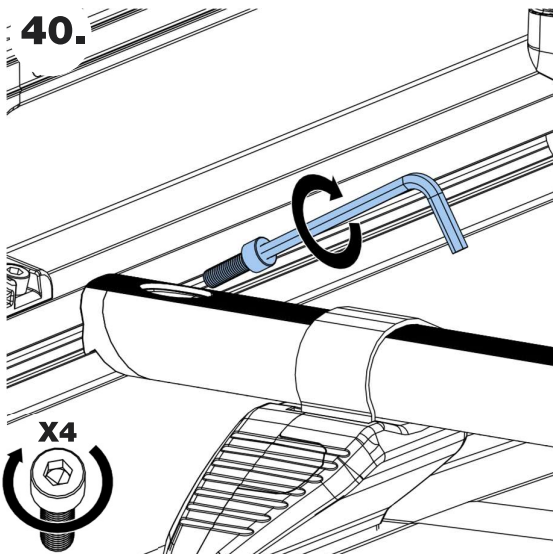
38.



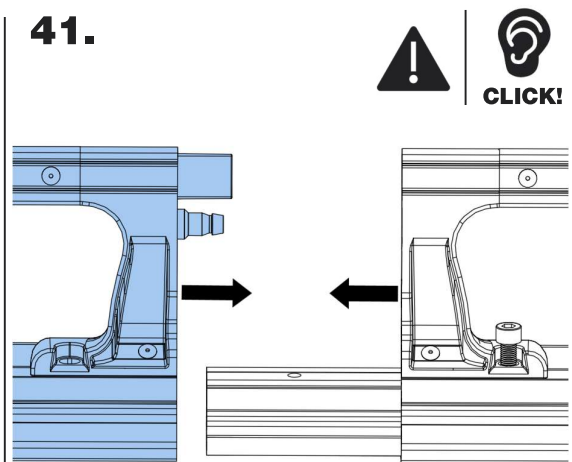
39.



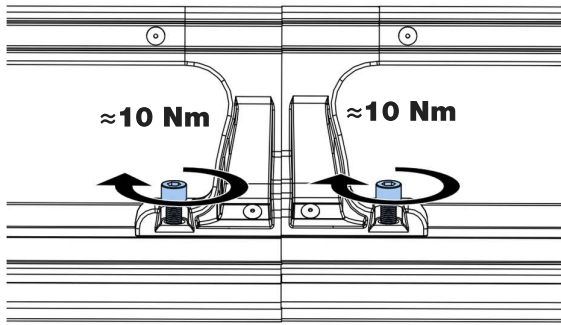
40.



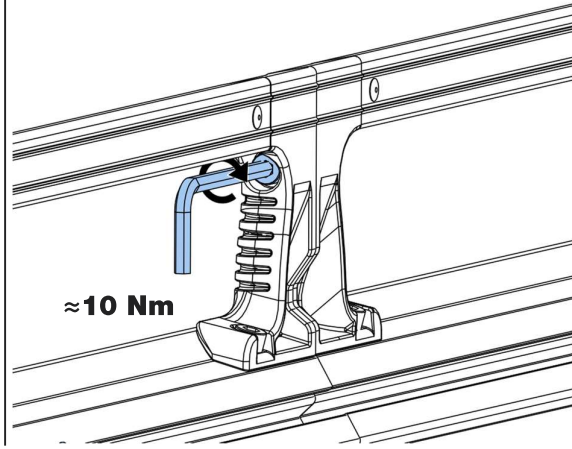
41.



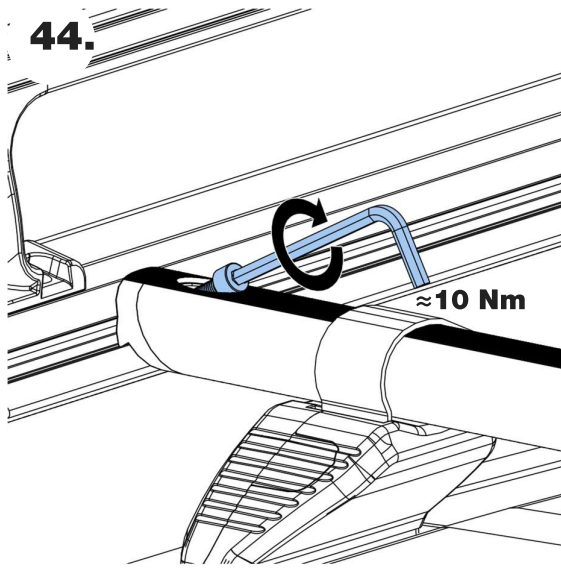
42.



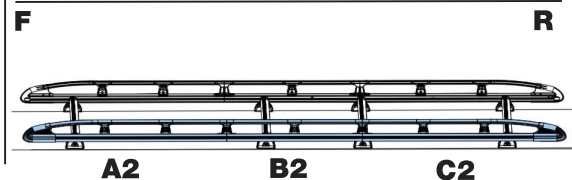
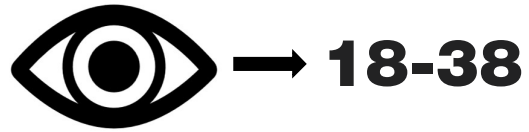
43.



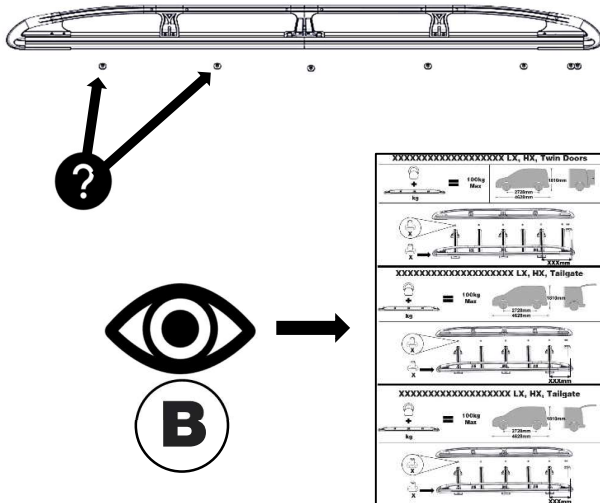
44.



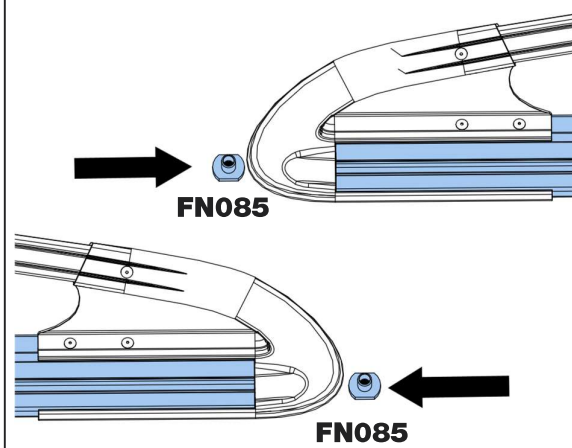
45.



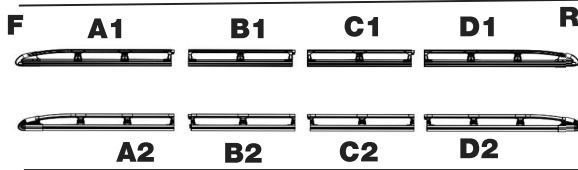
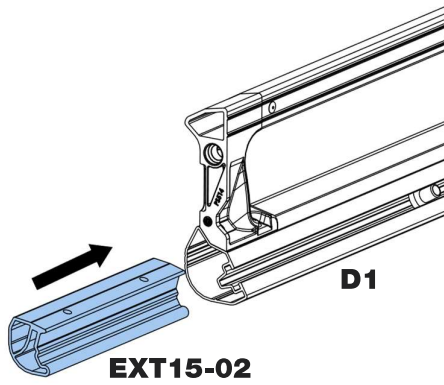
46.



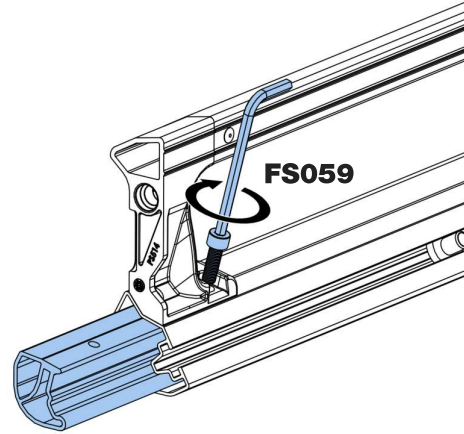
47.



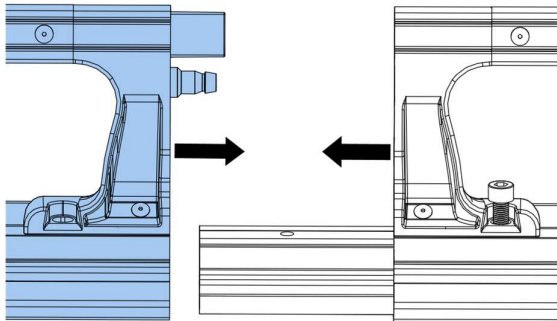
48.



49.



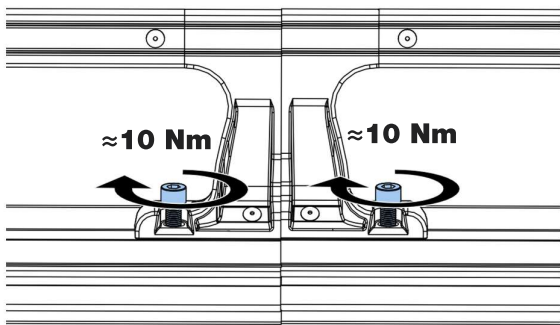
50.



C1

D1

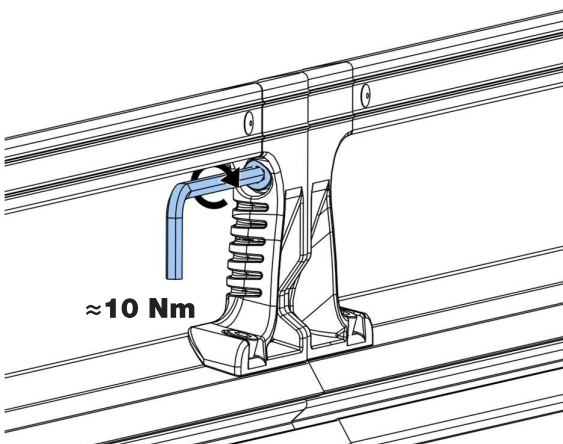
51.



≈10 Nm

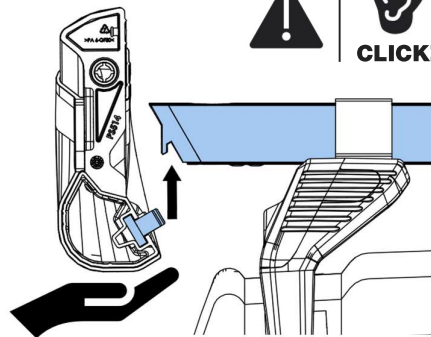
≈10 Nm

52



≈10 Nm

53.

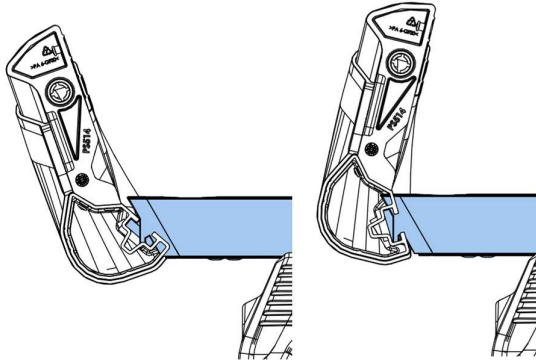


F

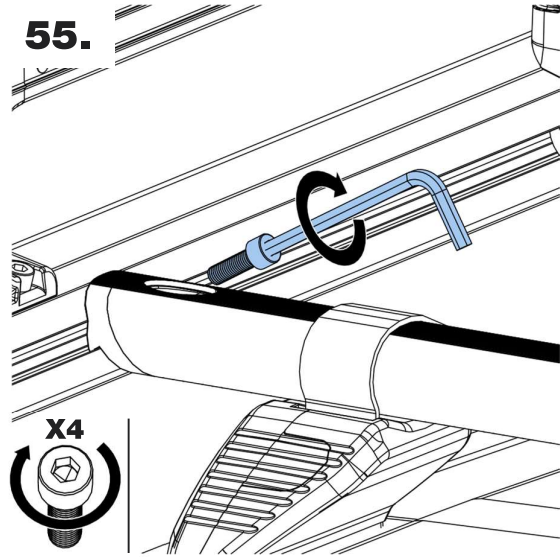
R



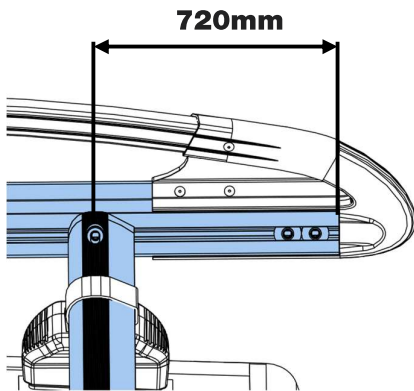
54.



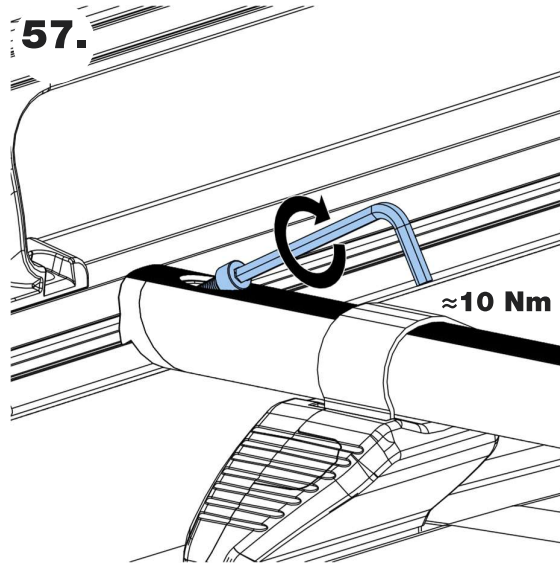
55.



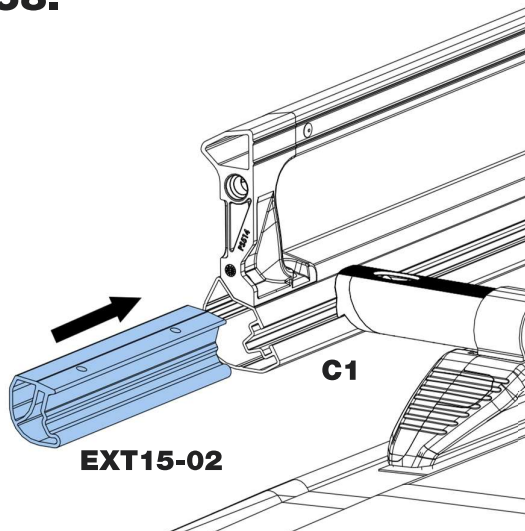
56.



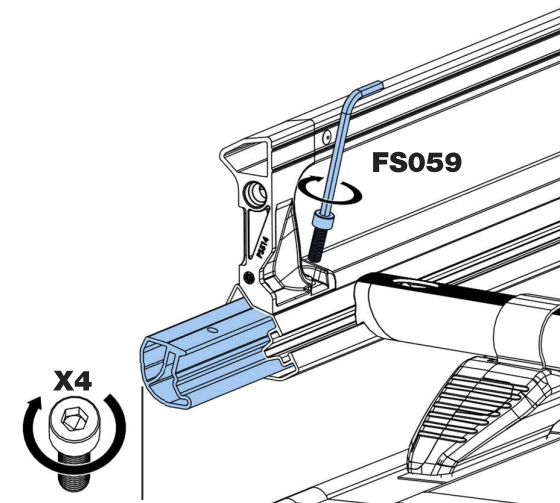
57.



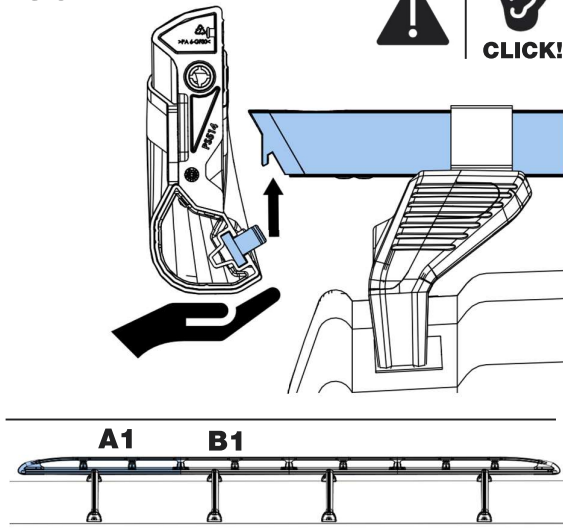
58.



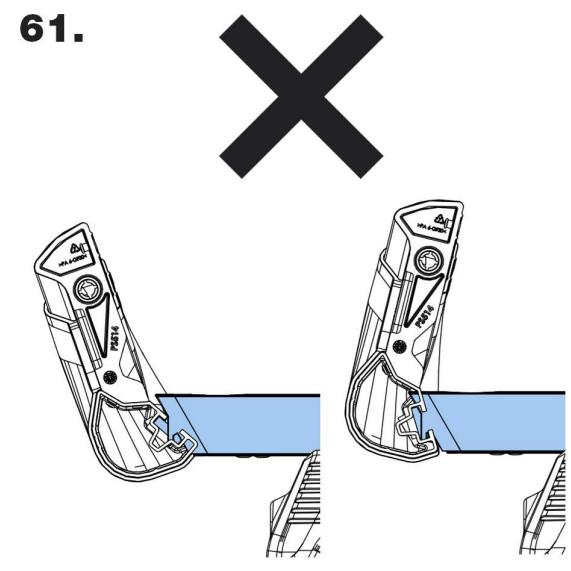
59.



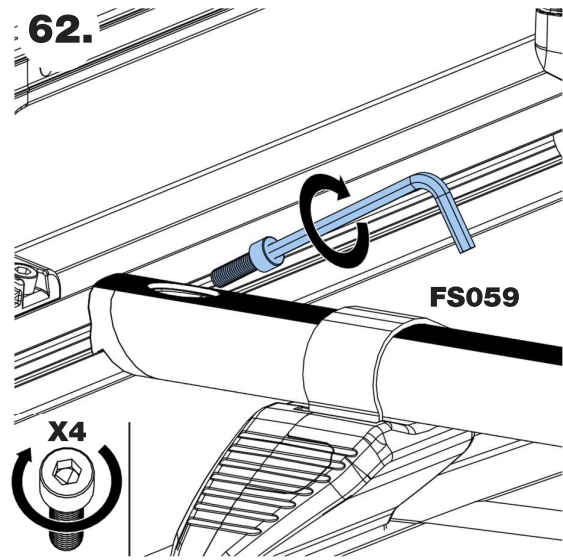
60.



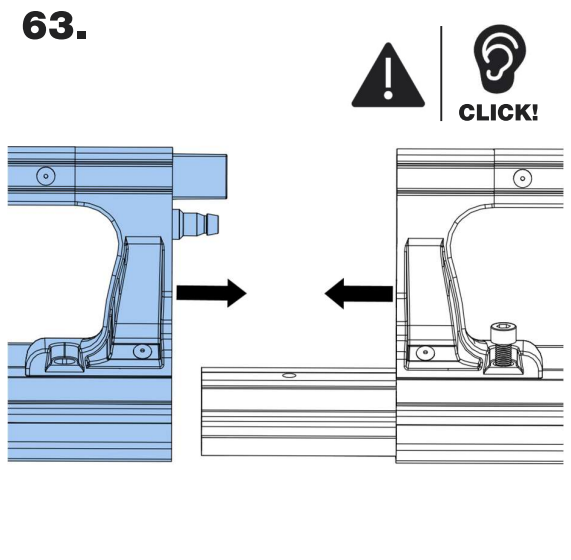
61.



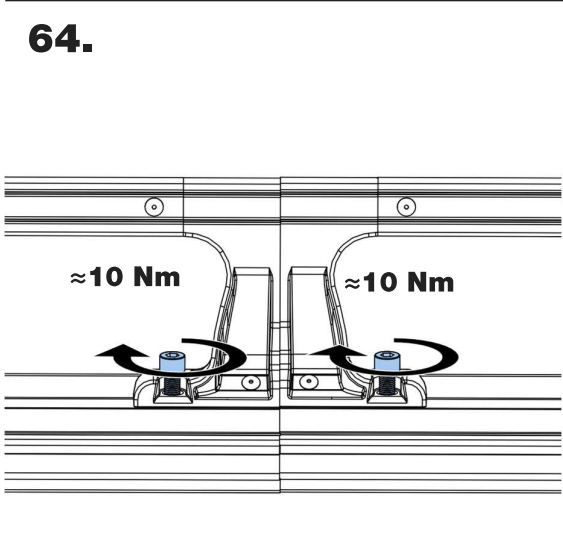
62.



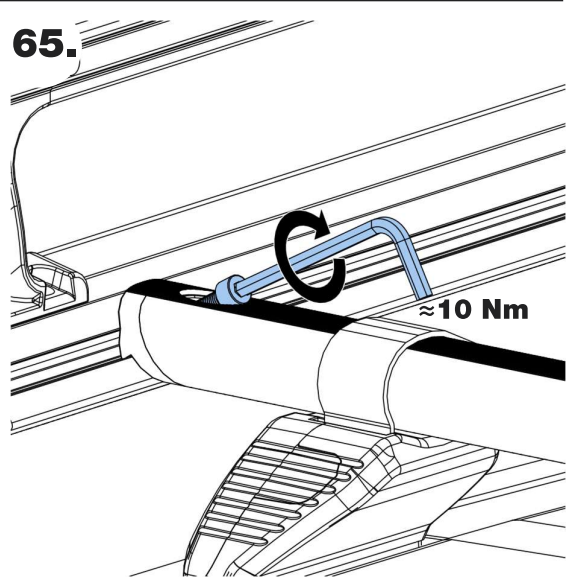
63.



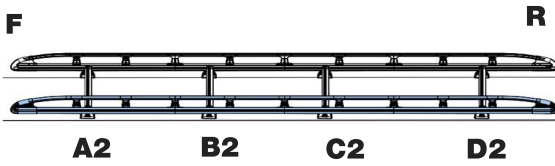
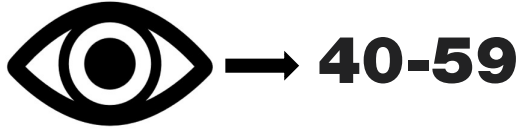
64.



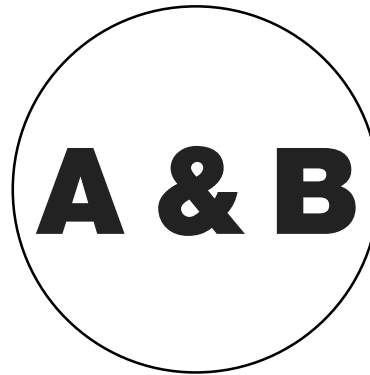
65.



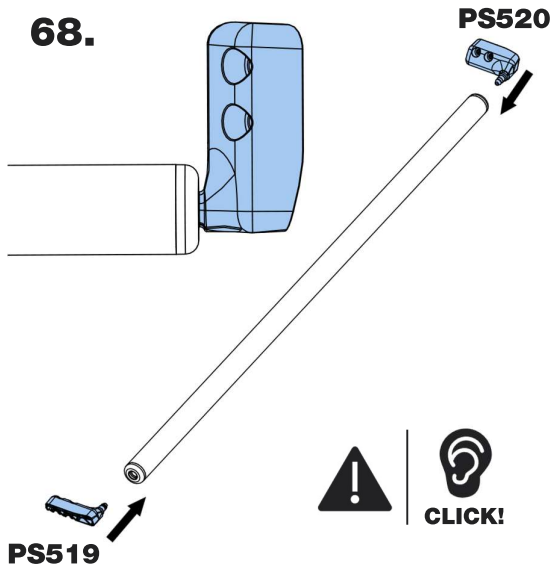
66.



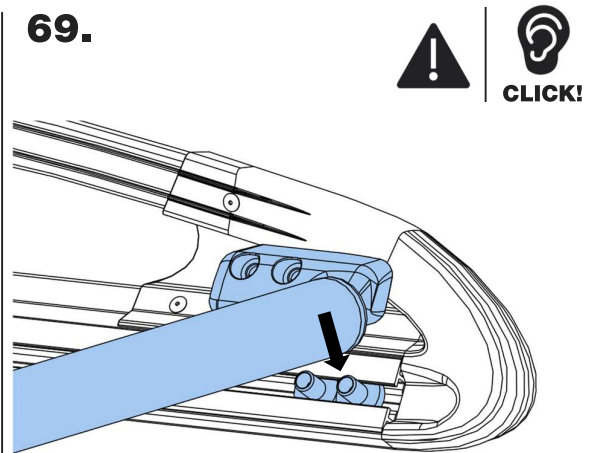
67.



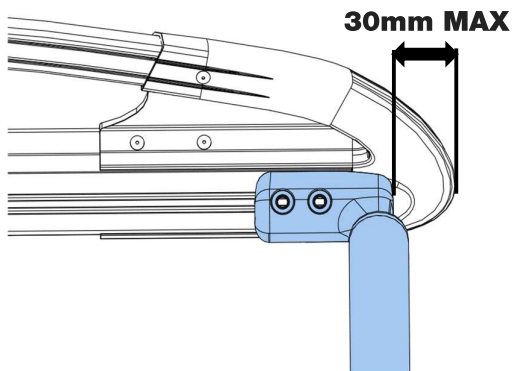
68.



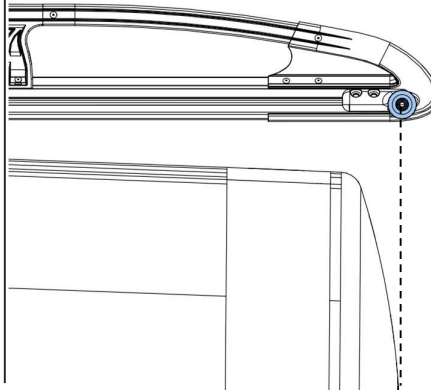
69.



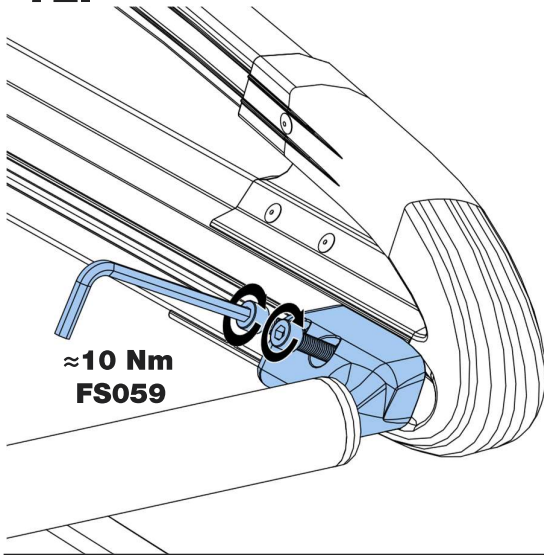
70.



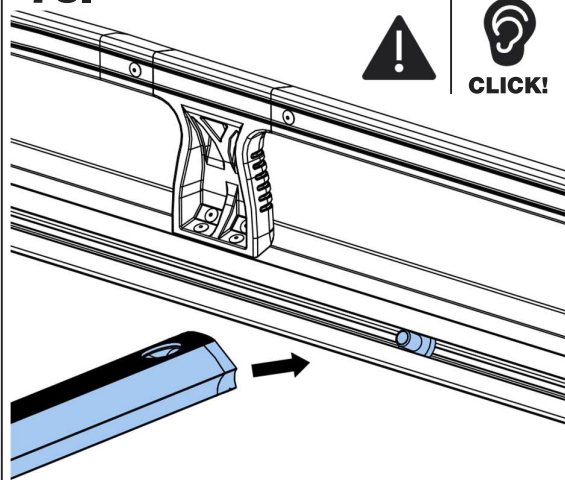
71.



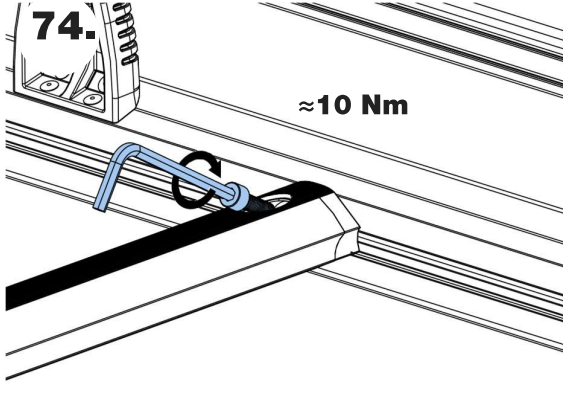
72.



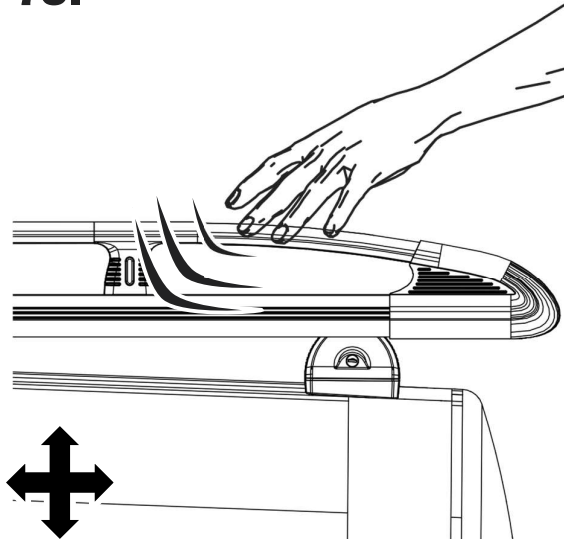
73.



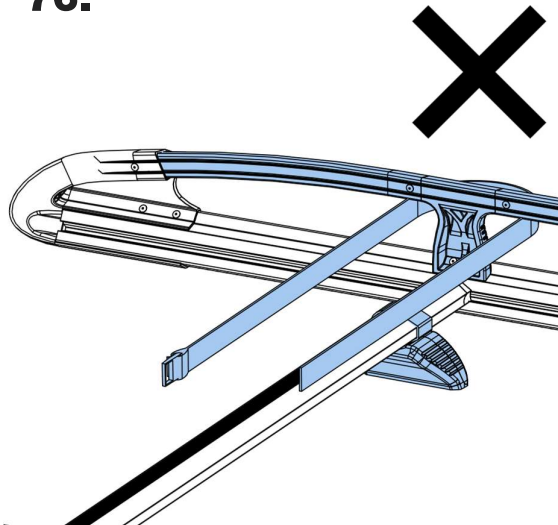
74.



75.



76.



77.

