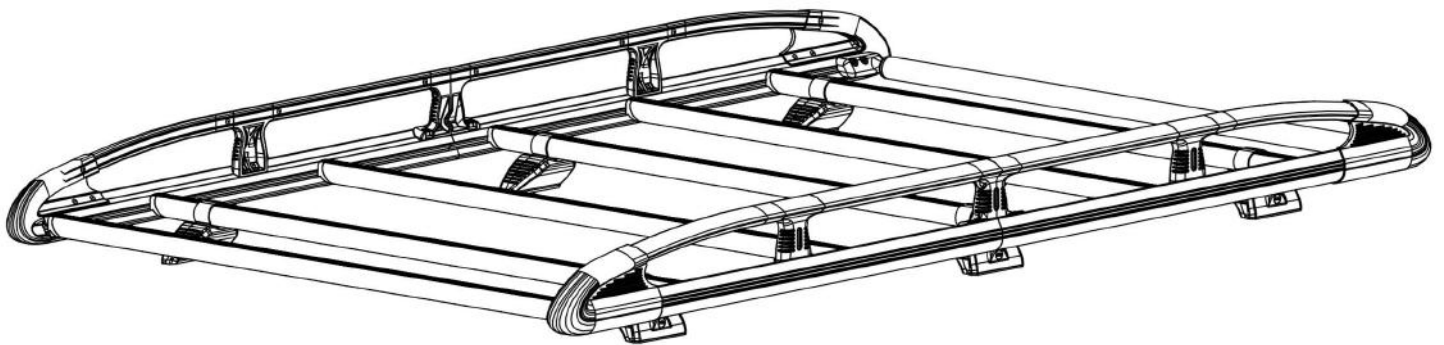


GB3KR

KammRack

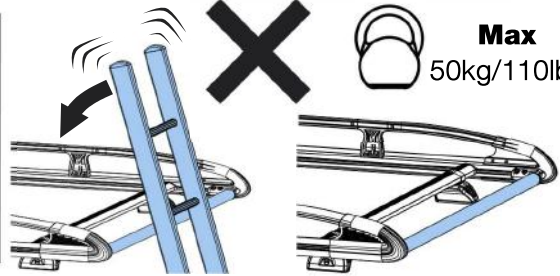
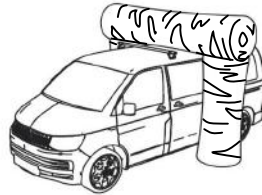
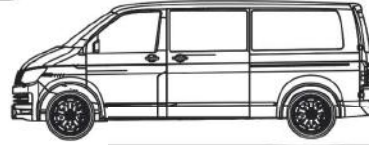
Instructions



CITY CRASH (✓)
According to ISO/ PAS 11154:2006

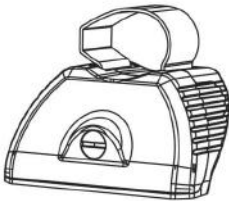
GB3KR:

CITROEN Berlingo, 2018 – Onwards
PEUGEOT Partner, 2018 – Onwards
VAUXHALL Combo, 2018 – Onwards
TOYOTA ProAce City, 2020-Onwards

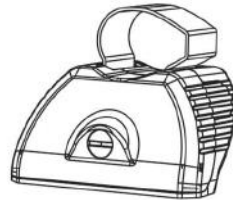


Max
50kg/110lbs

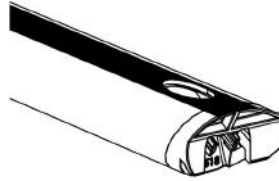
KammRack



SA397U x 3



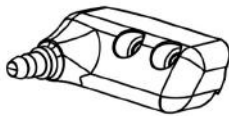
SA398U x 3



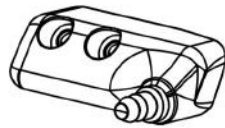
SA428



C04 x 8
optional upgrade



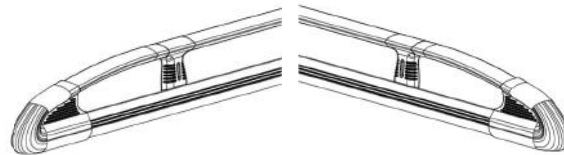
PS519 x 1



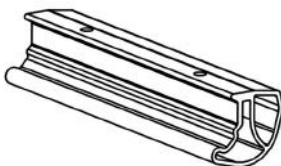
PS520 x 1

LHS x 2

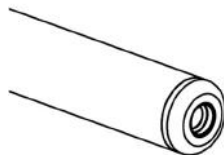
RHS x 2



ASF x 1

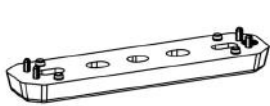


EXT15-02 x 2

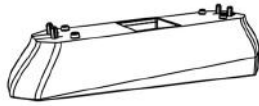


SA436 x 1

Fitting Kit



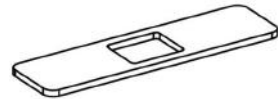
PS178 x 2



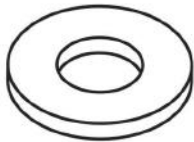
PS254L x 1



PS254R x 1



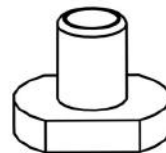
PS047 x 4



FW002 (M8) x 6



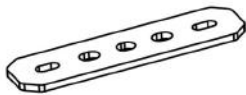
FW009 (M8) x 6



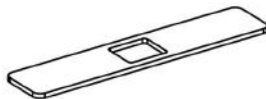
FN085 x 16



FT01 x 1



PS404 x 2



PS412 x 2



FT05 x 1



FS105
(M8 x 55) x 2



FS061
(M8 x 35) x 2

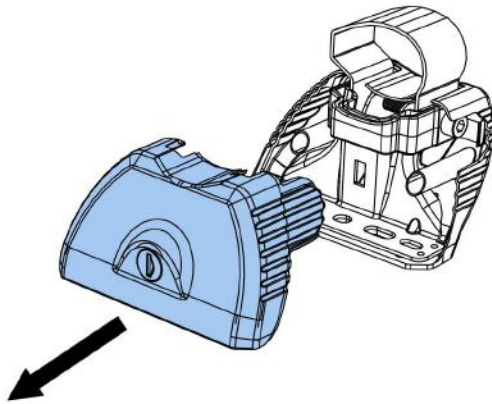


FS062
(M8 x 25) x 2

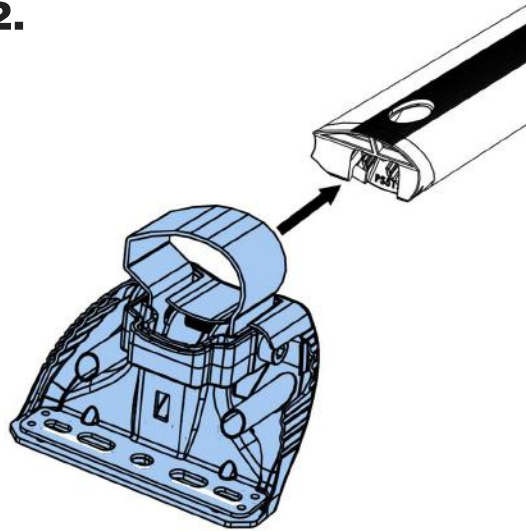


FS059
(M8 x 25) x 16

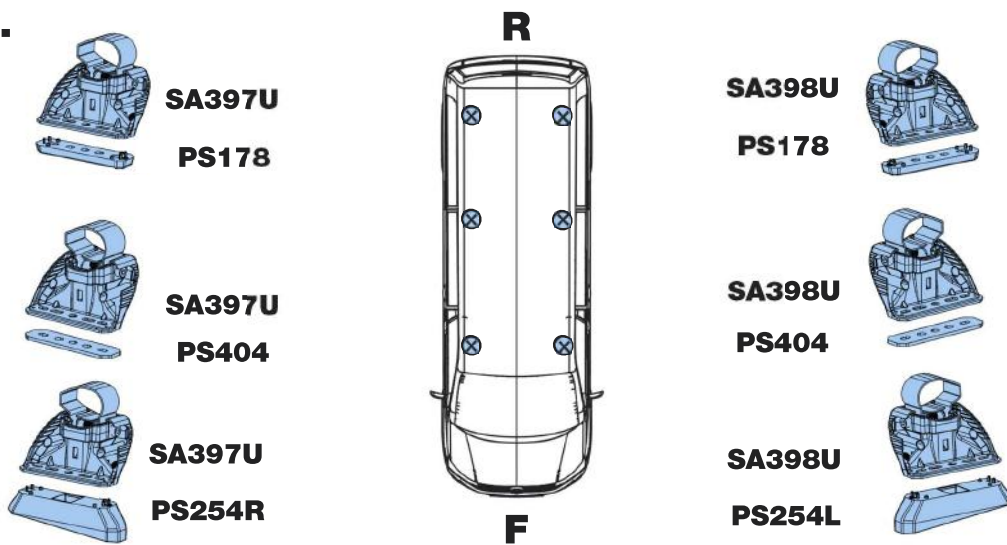
1.



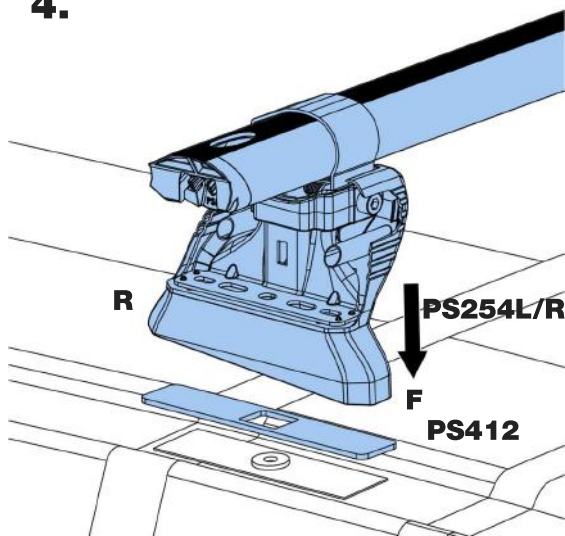
2.



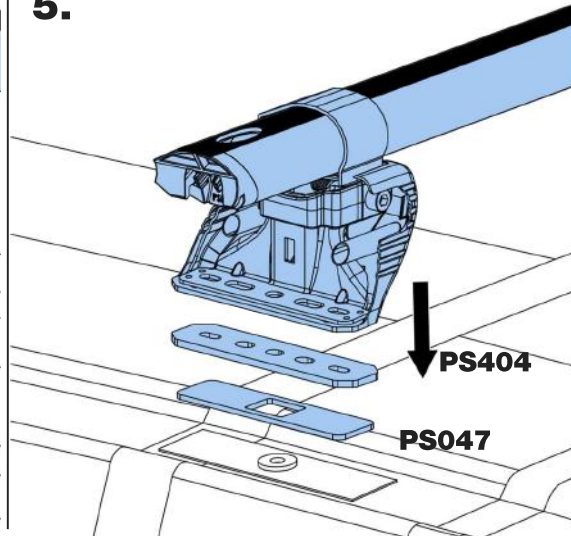
3.

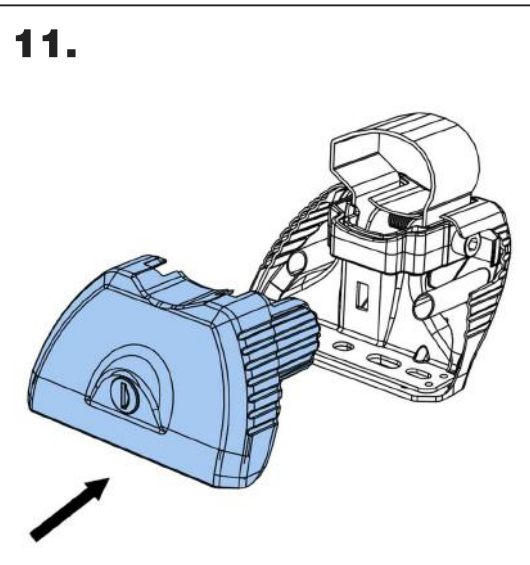
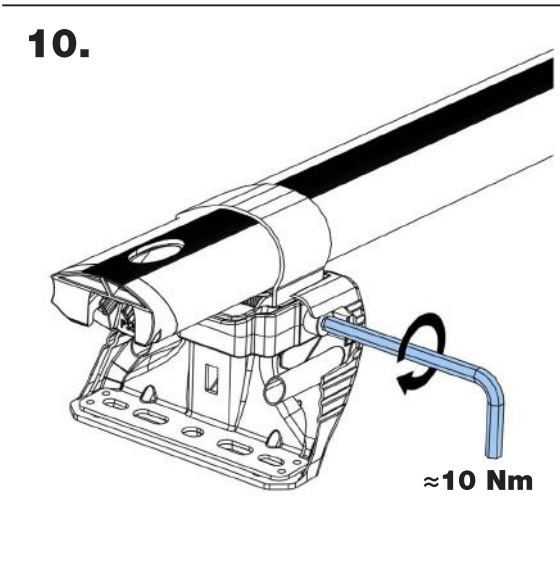
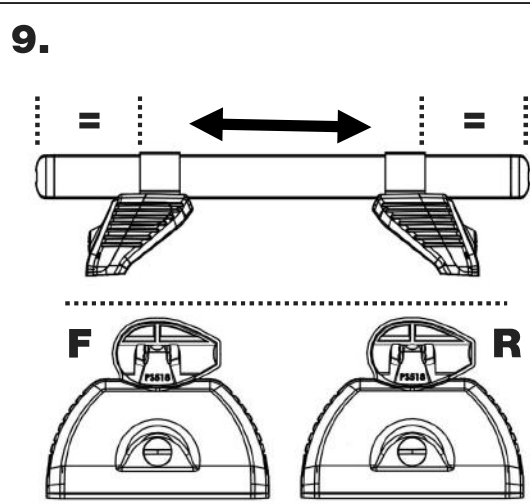
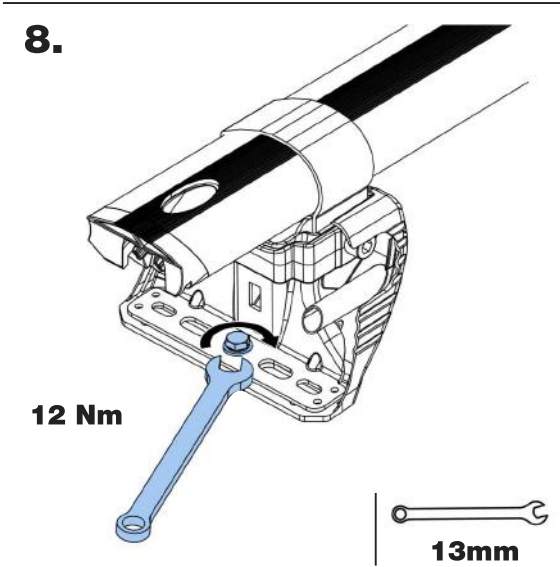
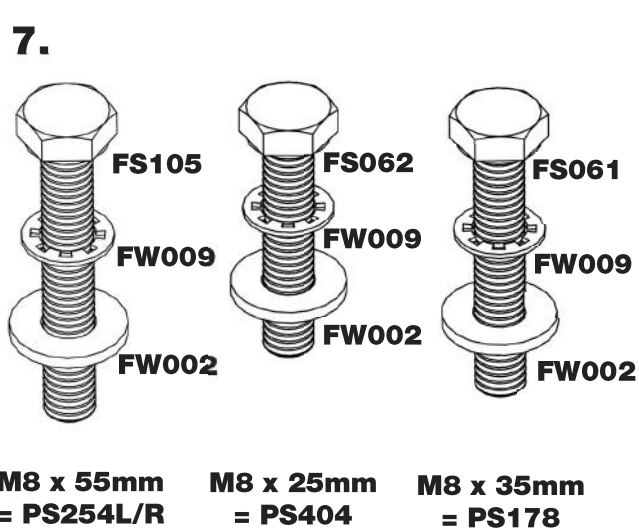
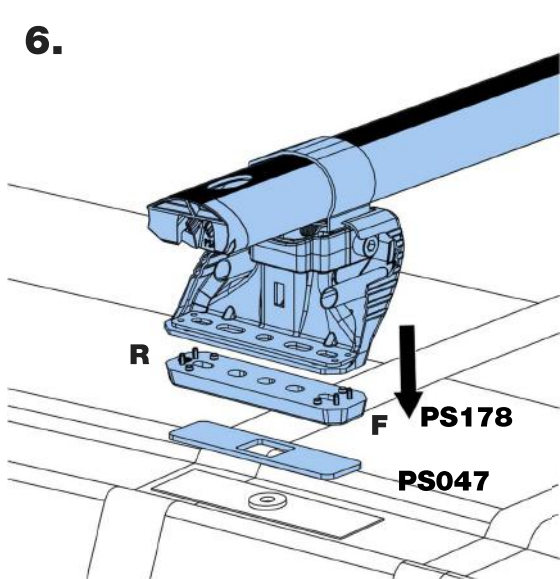


4.

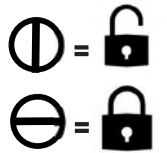
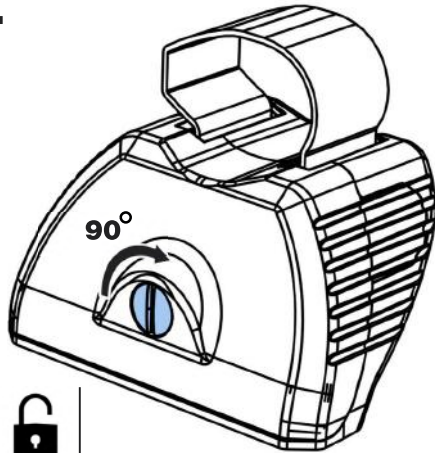


5.

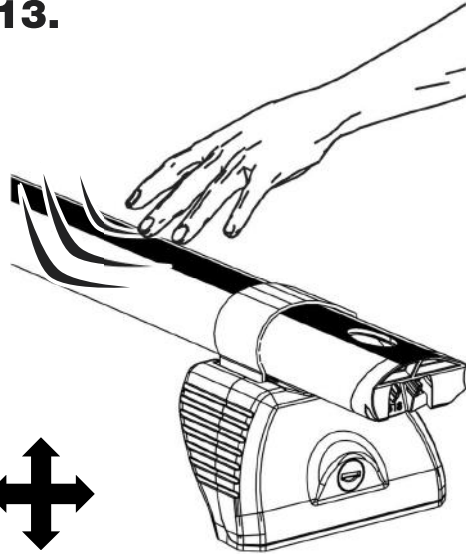




12.



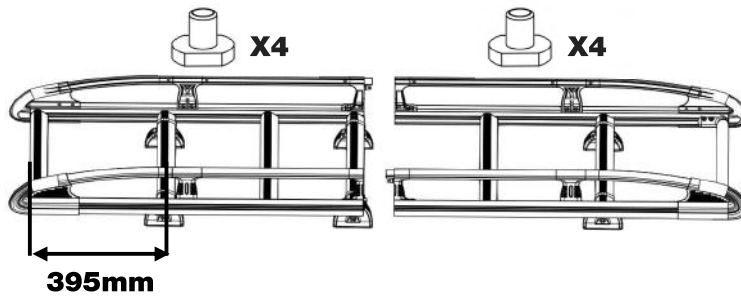
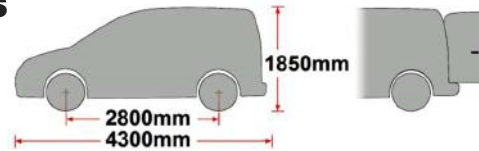
13.



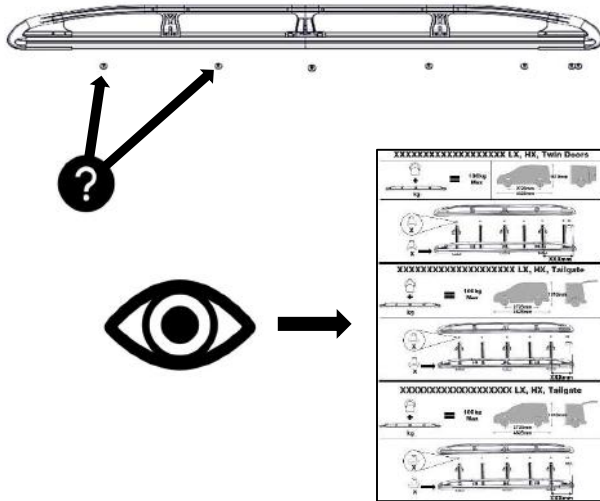
K672- Berlingo/Partner/Combo 2018- L1, H1, Twin Doors



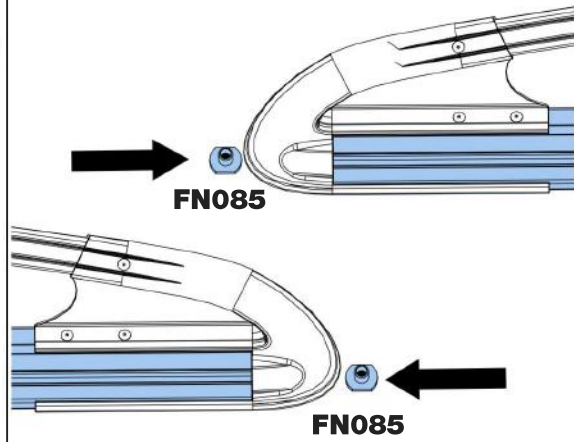
= 100kg Max



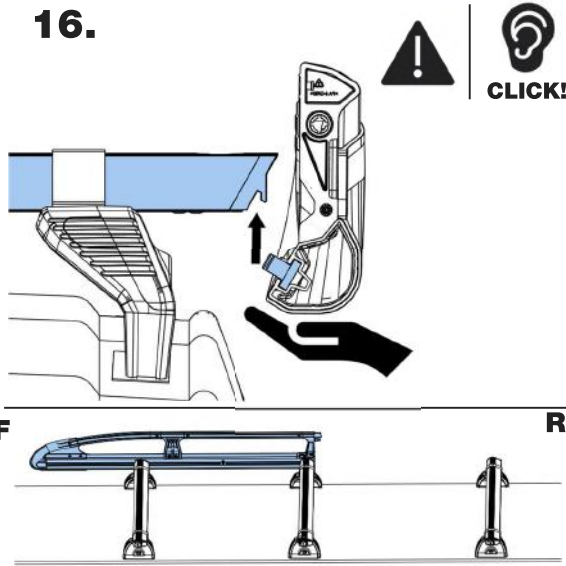
14.



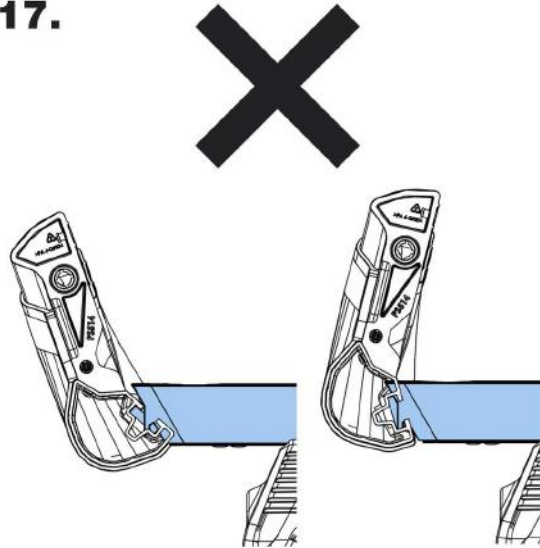
15.



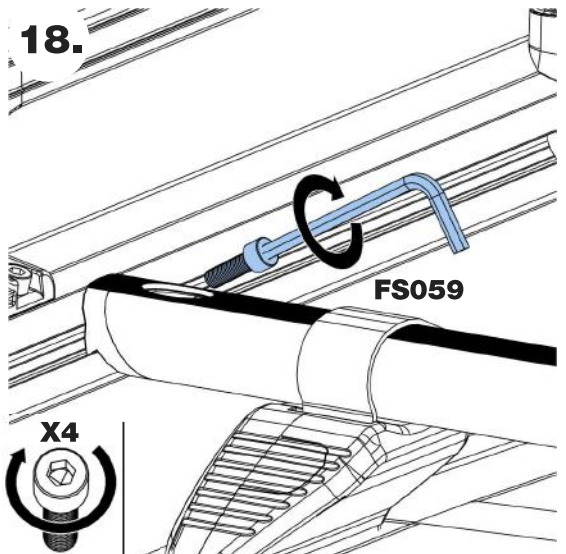
16.



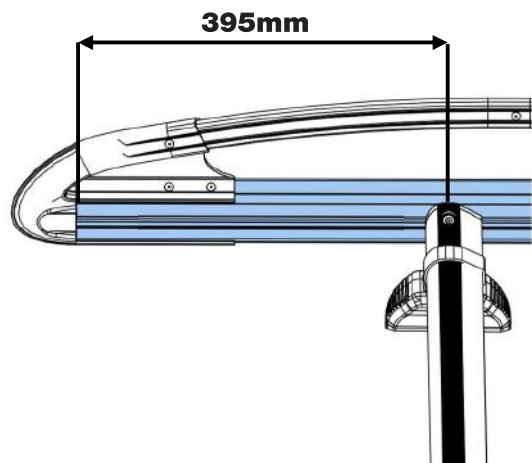
17.

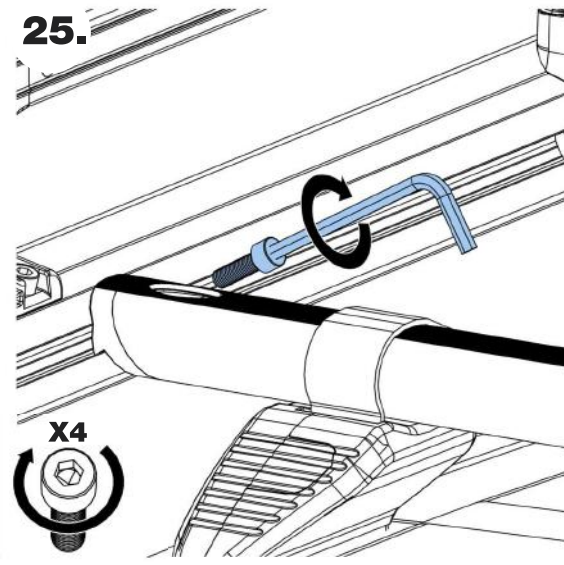
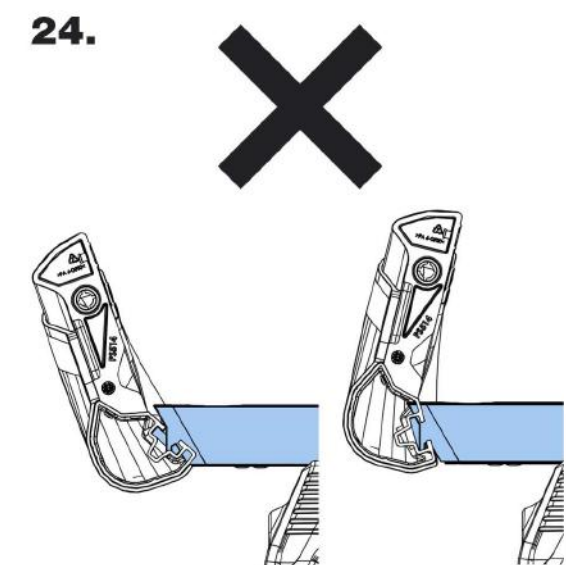
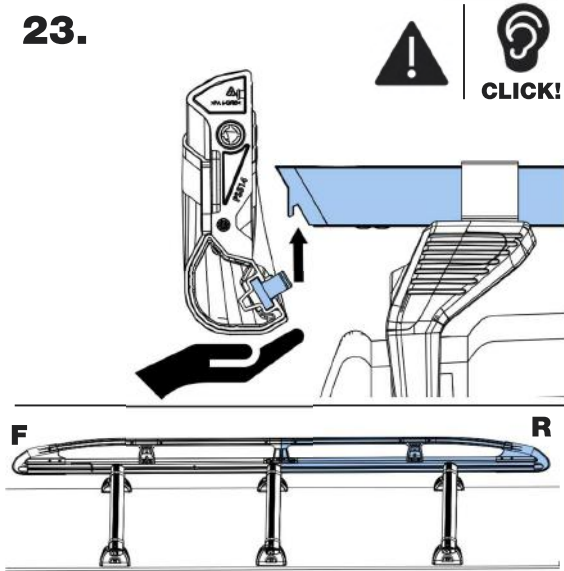
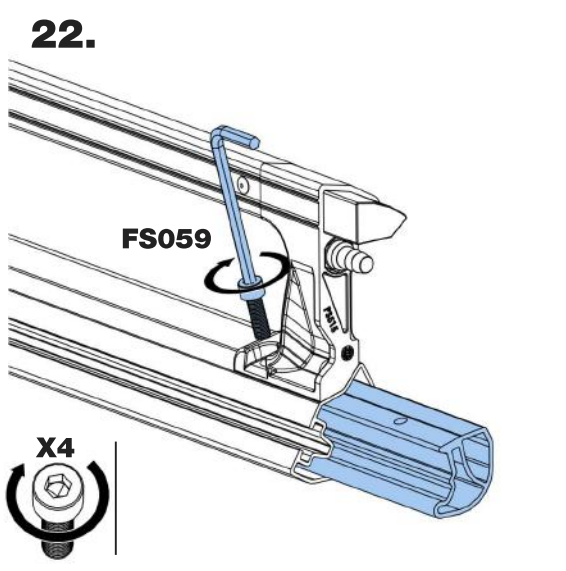
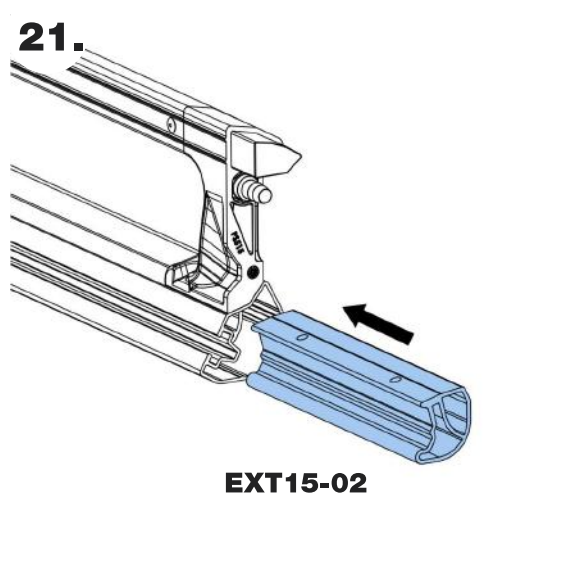
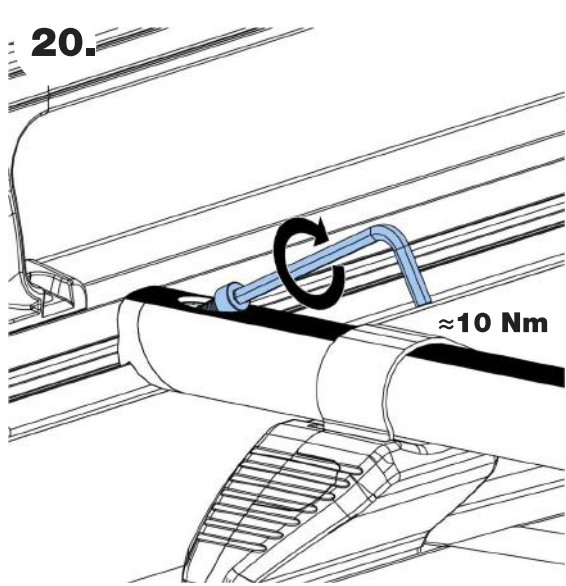


18.

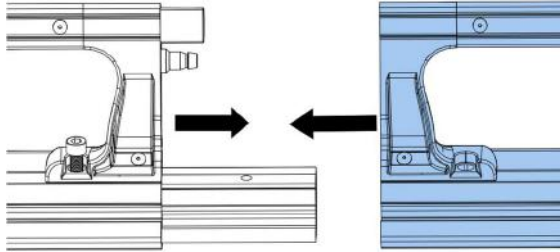


19.

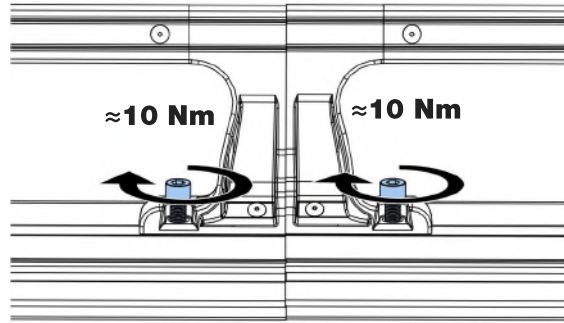




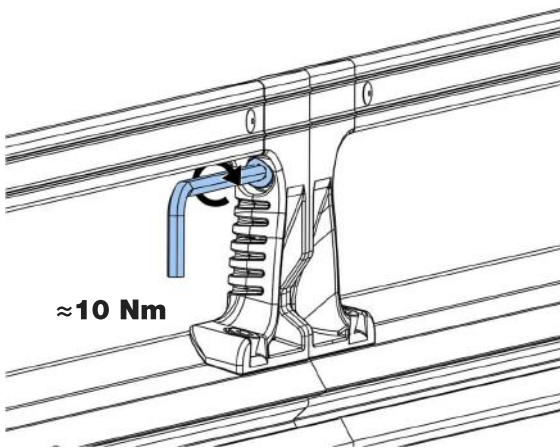
26.



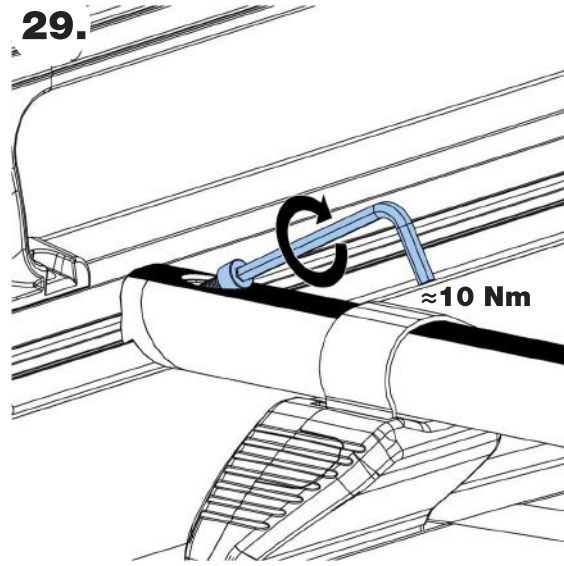
27.



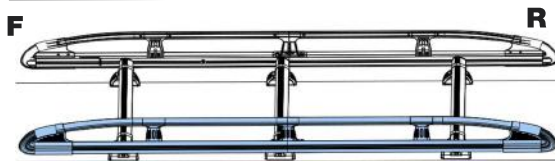
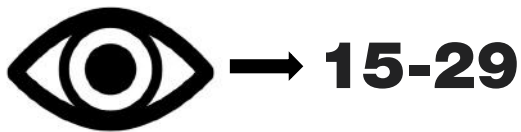
28.



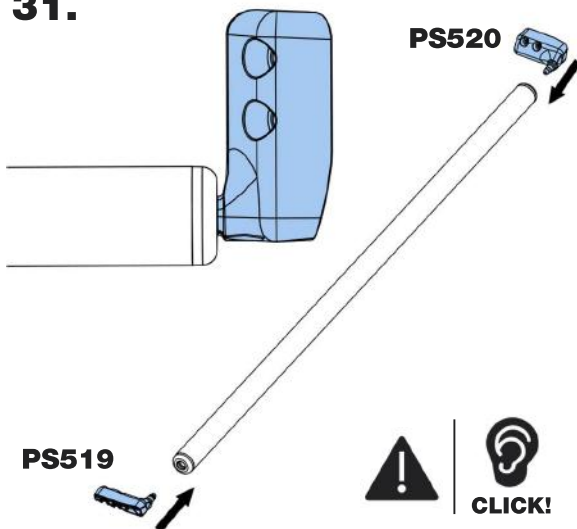
29.

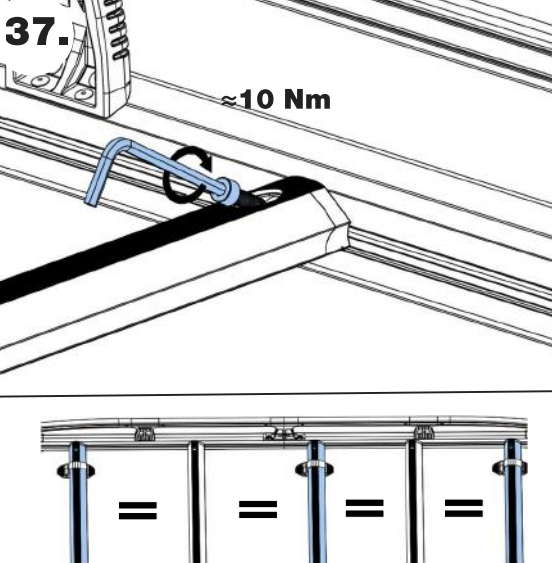
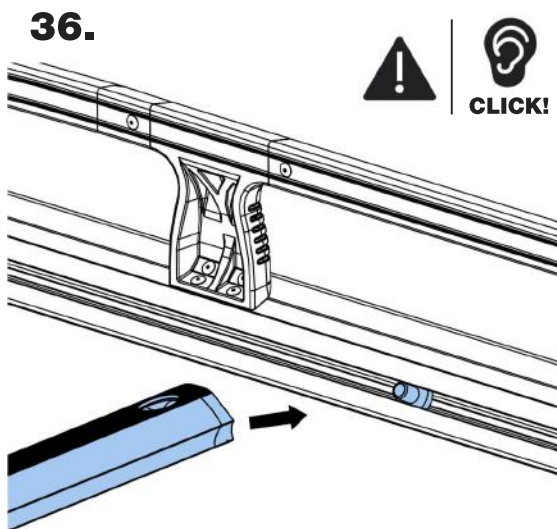
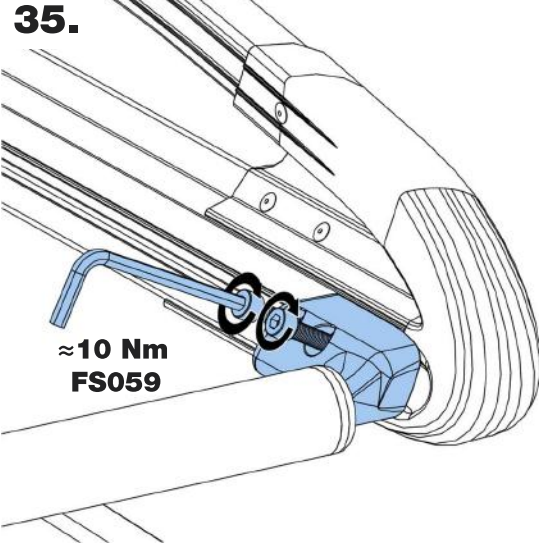
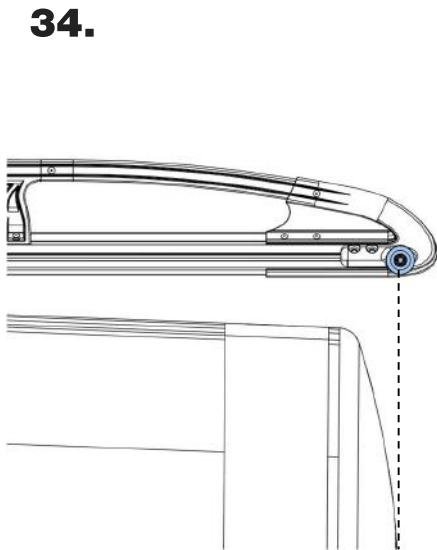
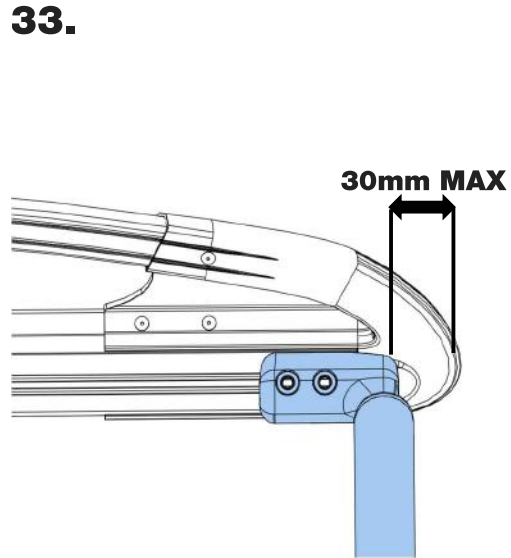
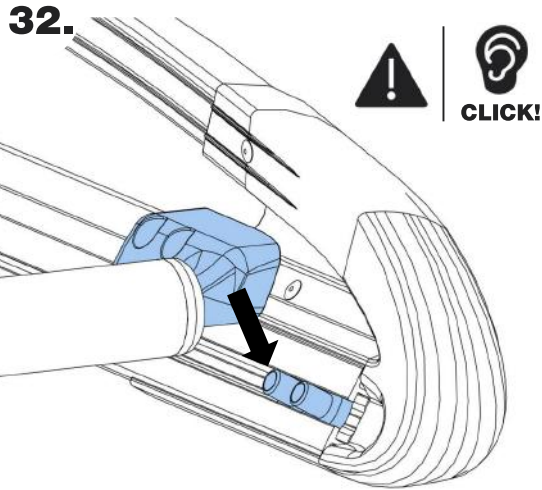


30.

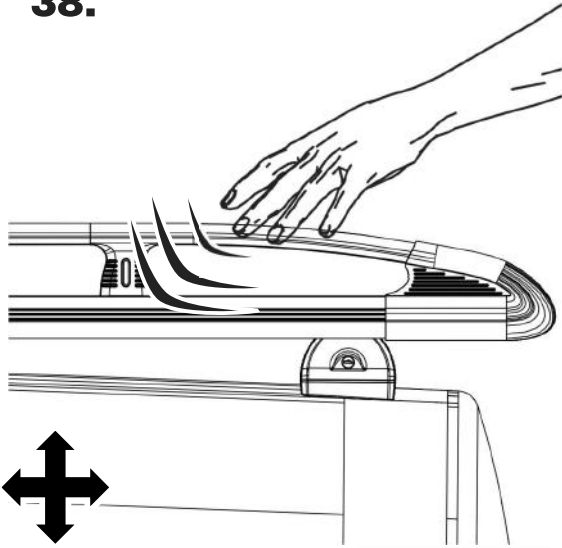


31.

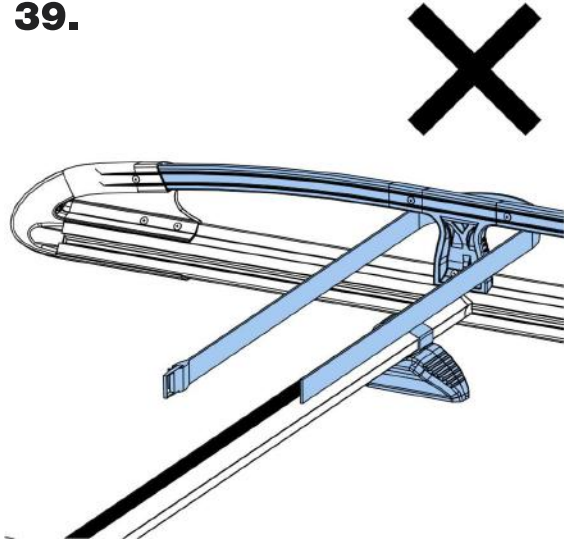




38.



39.



40.

