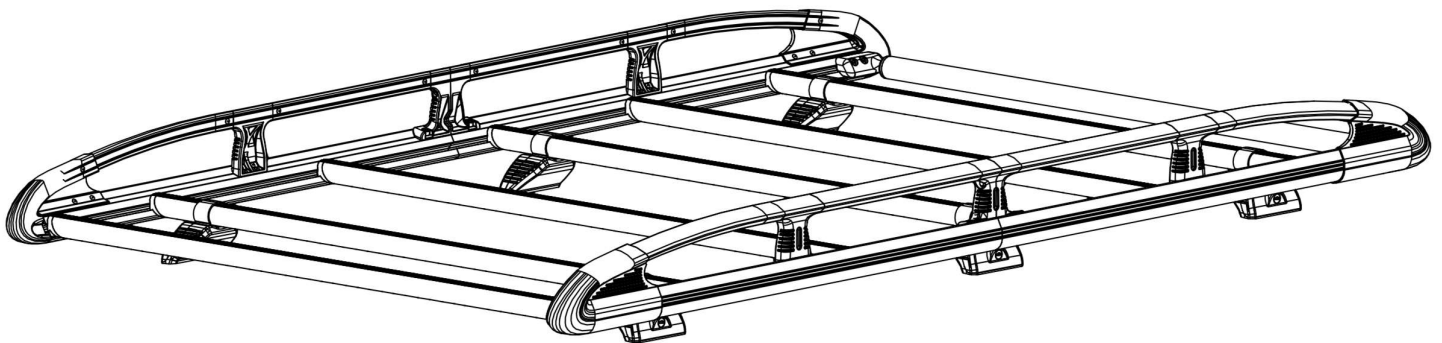


PB3KR

KammRack

Instructions

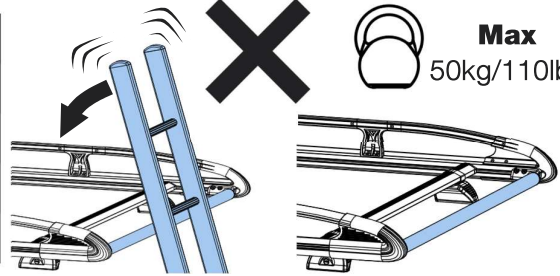
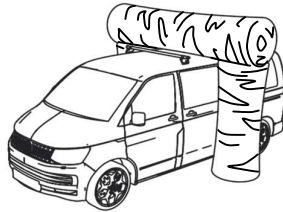
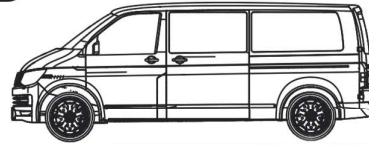


CITY CRASH (✓)

According to ISO/ PAS 11154:2006

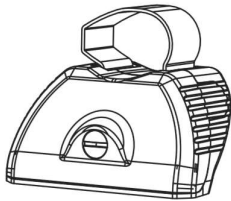
PB3KR:

Renault Kangoo, 2021–
Mercedes Citan, 2021–
Nissan Townstar, 2021–

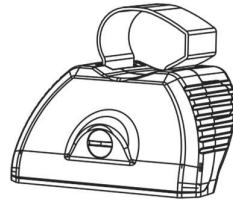


Max
50kg/110lbs

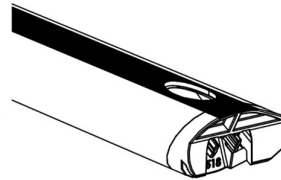
KammRack



SA397U x 3



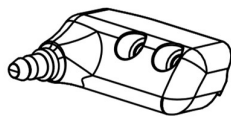
SA398U x 3



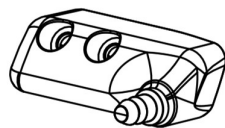
SA428



C04 x 6
optional upgrade



PS519 x 1



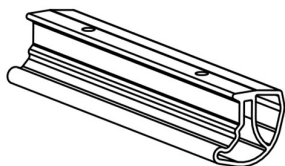
PS520 x 1

LHS x 2

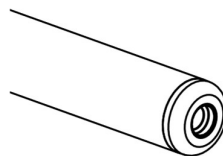
RHS x 2



ASF x 1

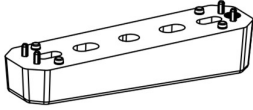


EXT15-02 x 2

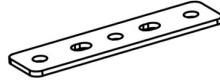


SA436 x 1

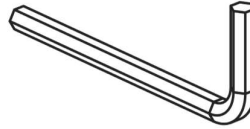
Fitting Kit



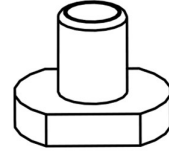
PS176 x 4



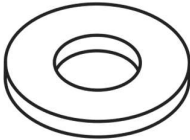
PS023 x 6



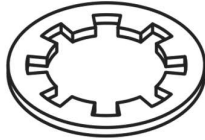
FT01 x 1



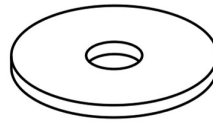
FN085 x 16



FW002 (M8) x 6



FW009 (M8) x 6



PS208 (M8) x 6



FT05 x 1



FS081
(M8 x 50) x 4

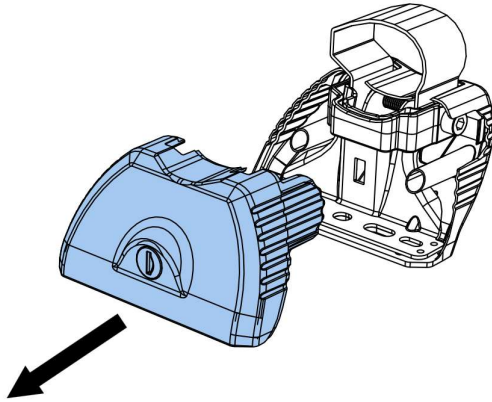


FB014
(M8 x 30) x 2

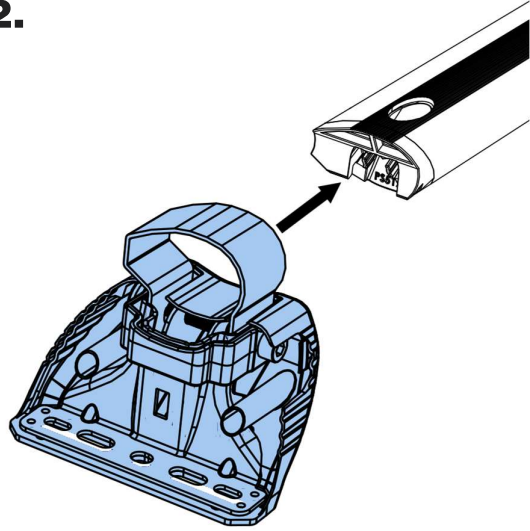


FS059
(M8 x 25) x 16

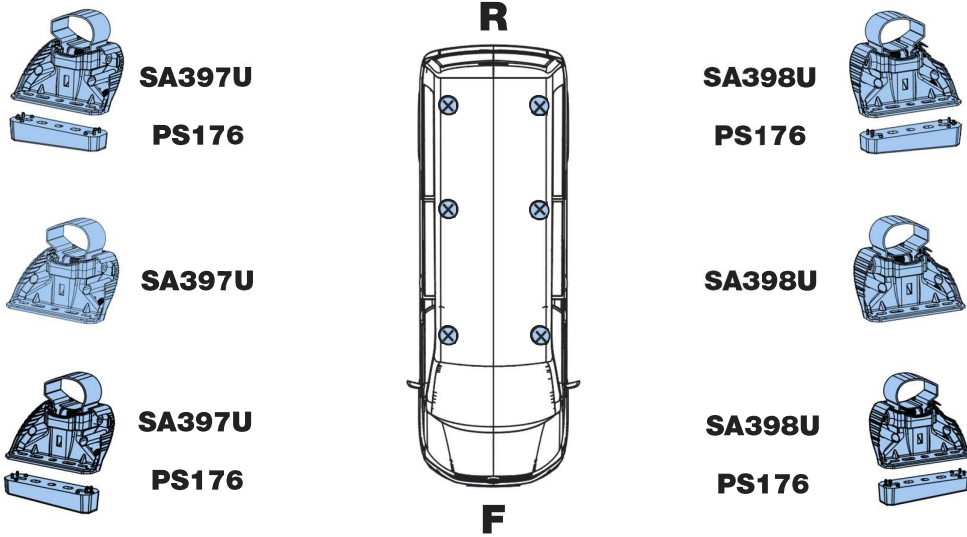
1.



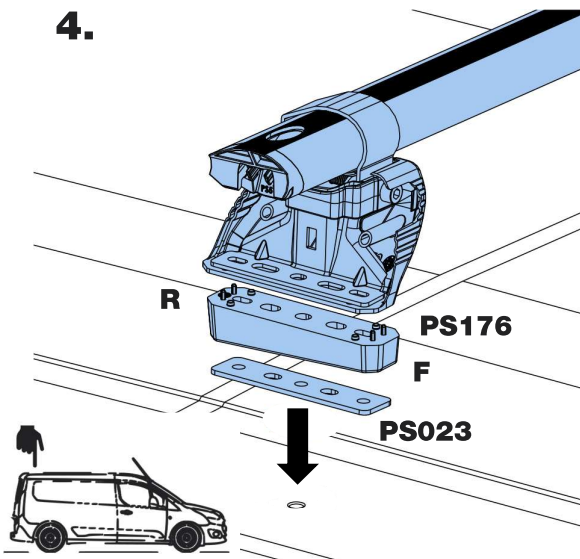
2.



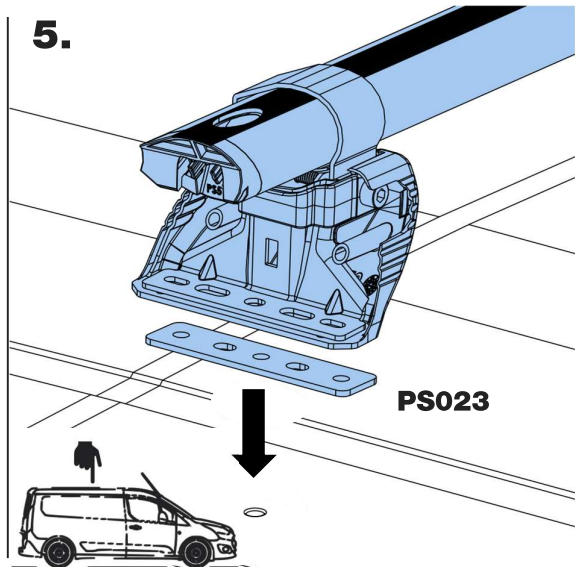
3.

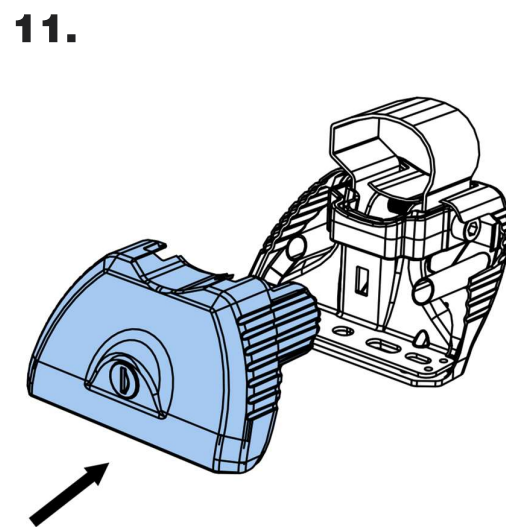
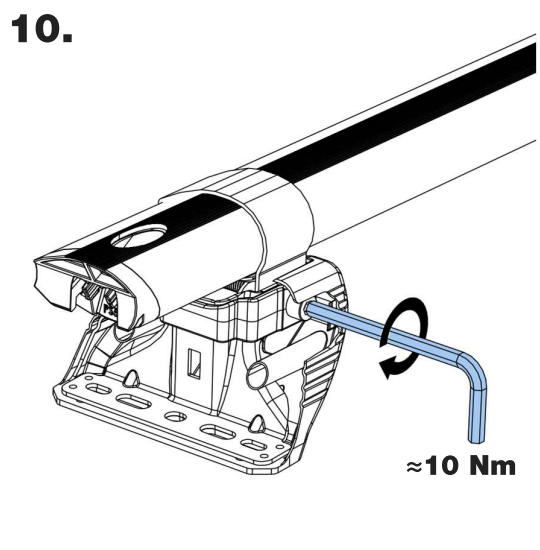
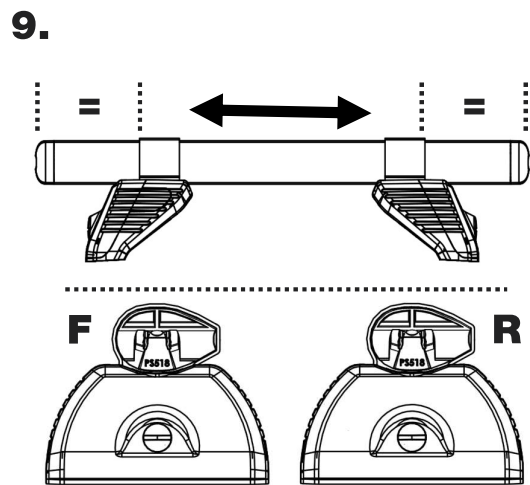
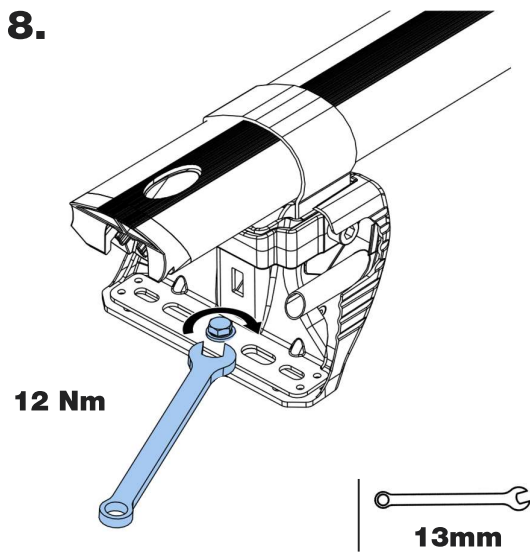
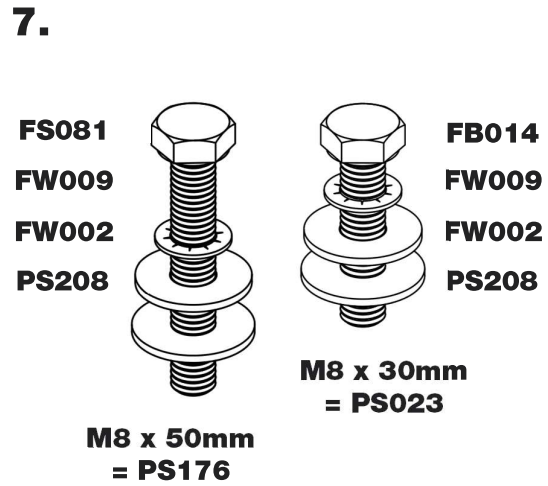
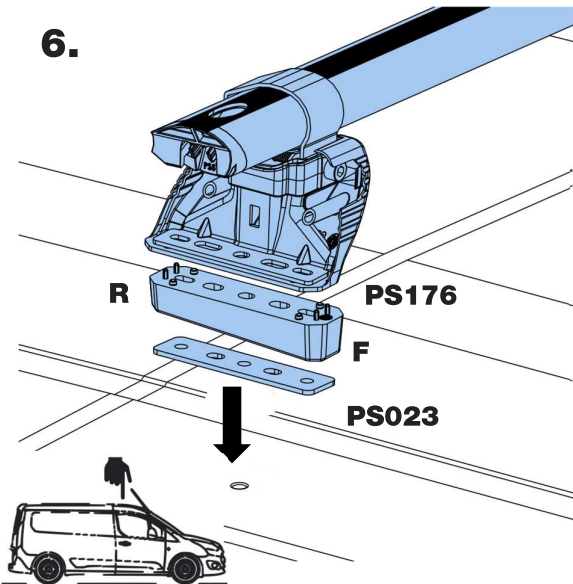


4.

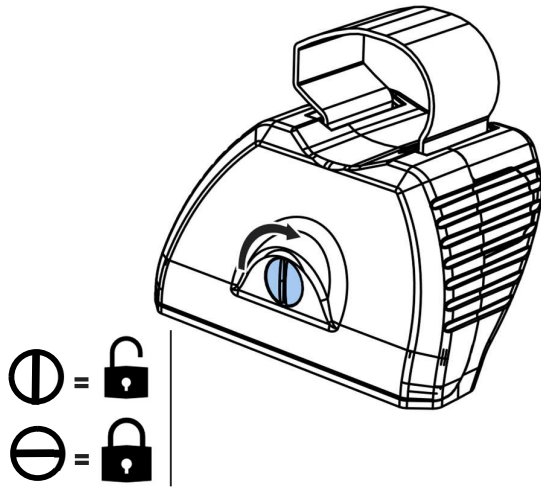


5.

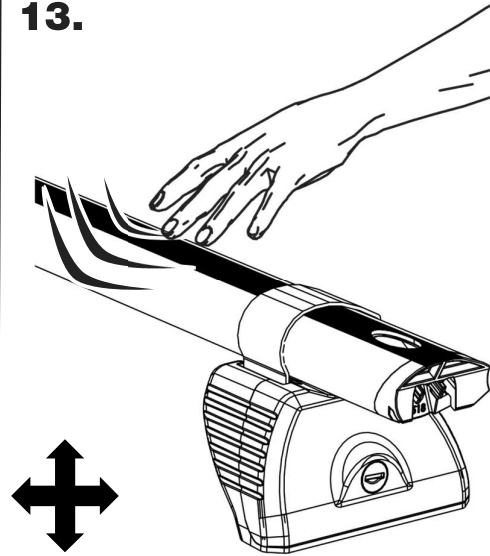




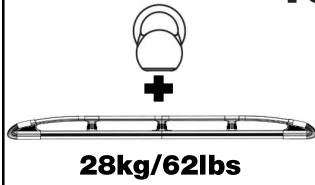
12.



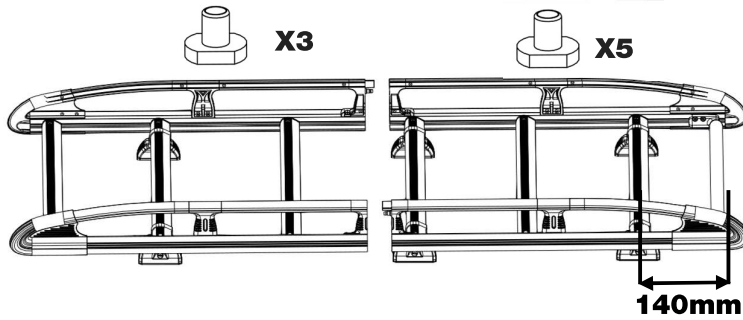
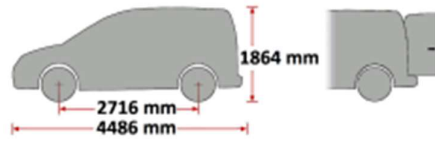
13.



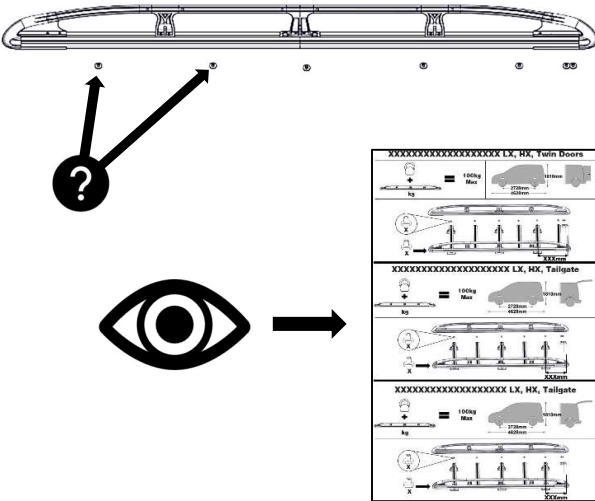
K687- Renault Kangoo 3, Mercedes Citan, Nissan Townstar 2021- Twin Doors



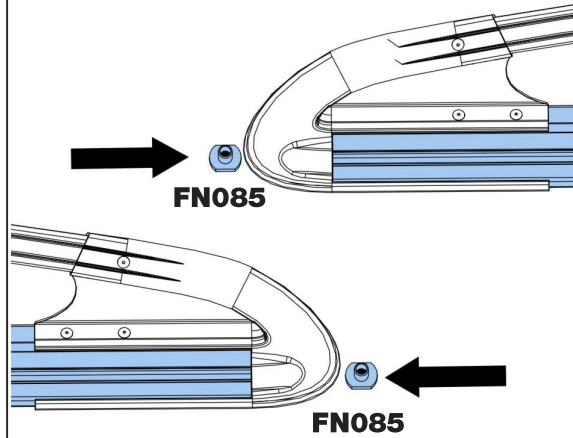
100kg Max



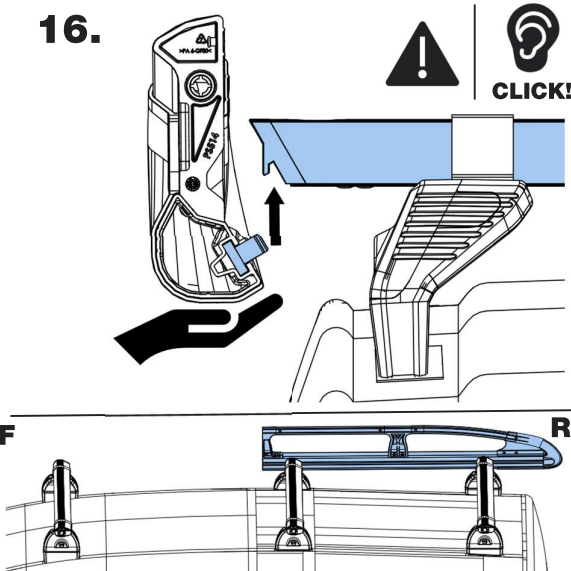
14.



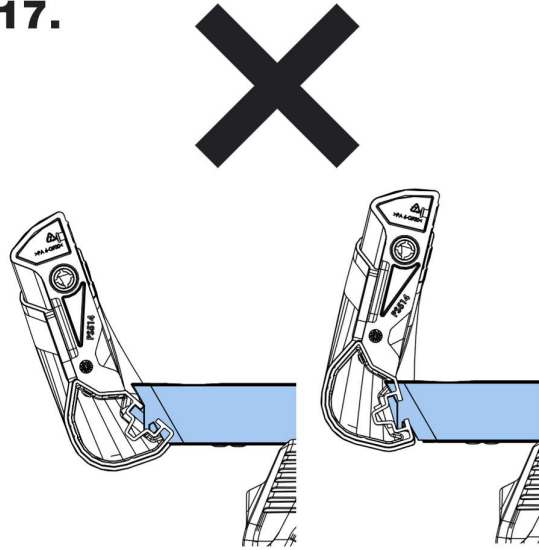
15.



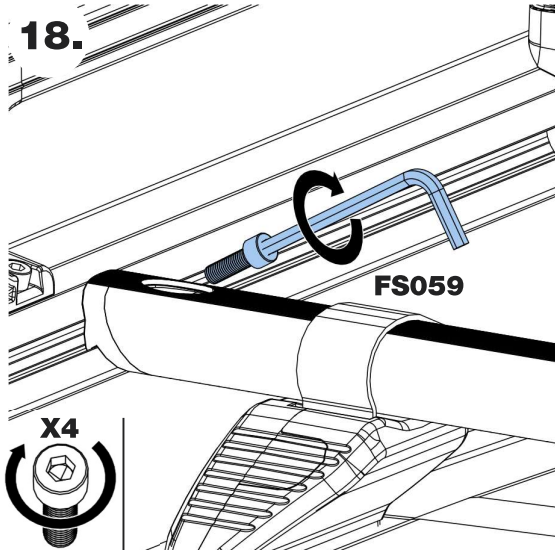
16.



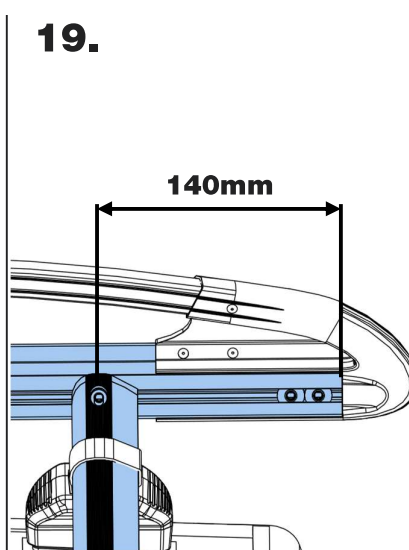
17.

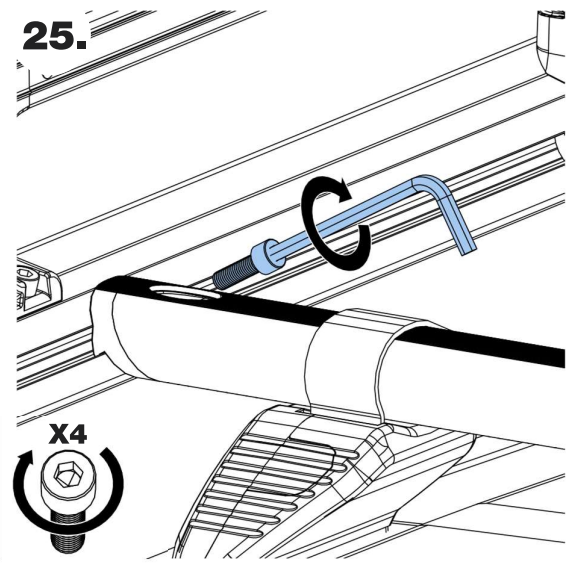
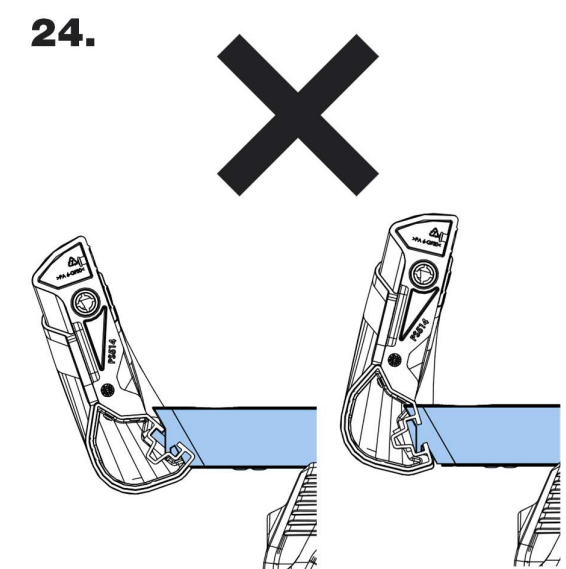
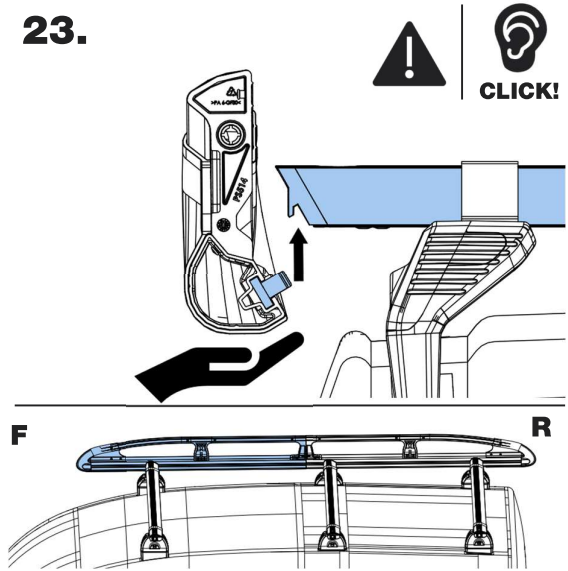
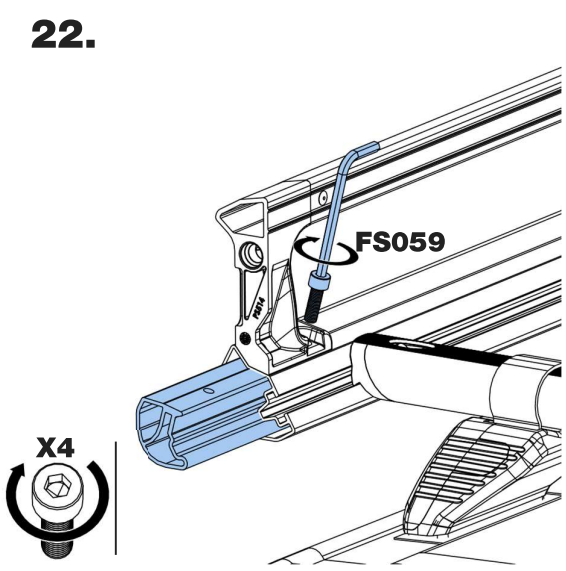
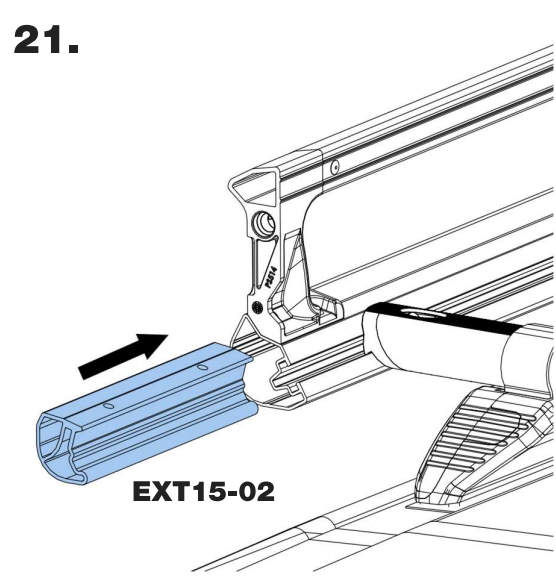
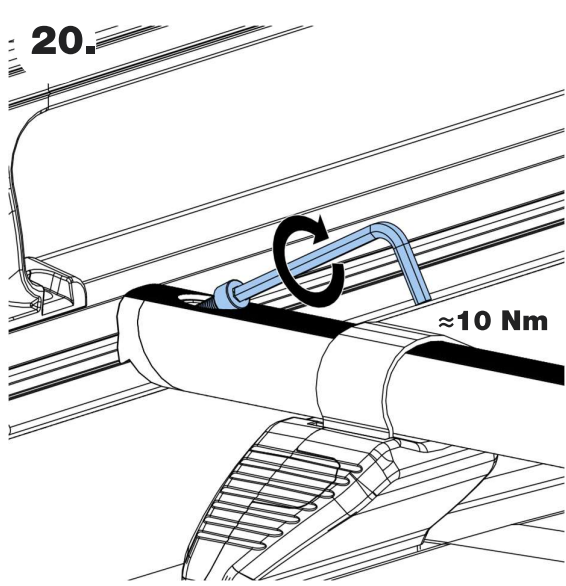


18.

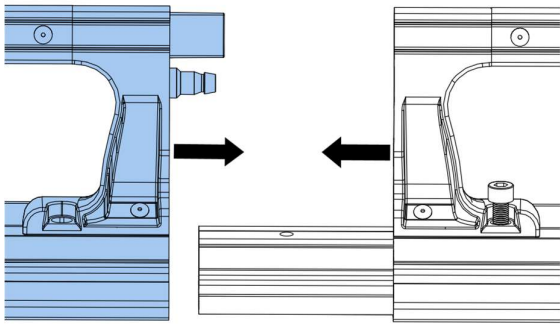


19.

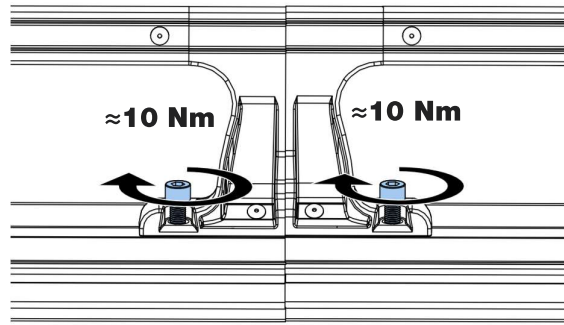




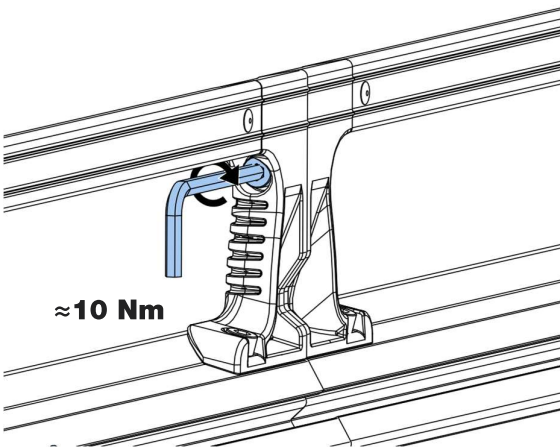
26.



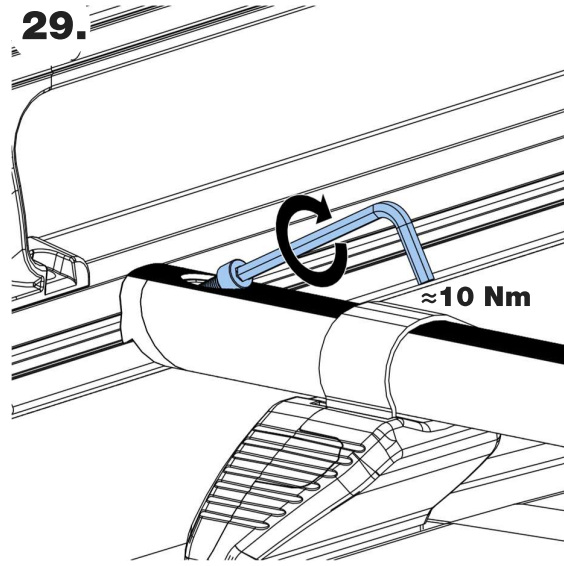
27.



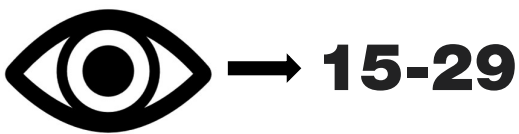
28.



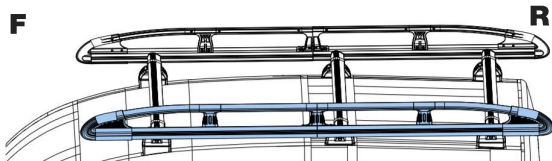
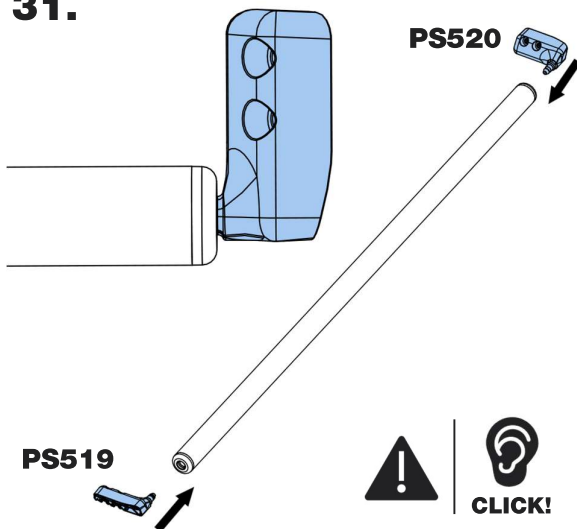
29.



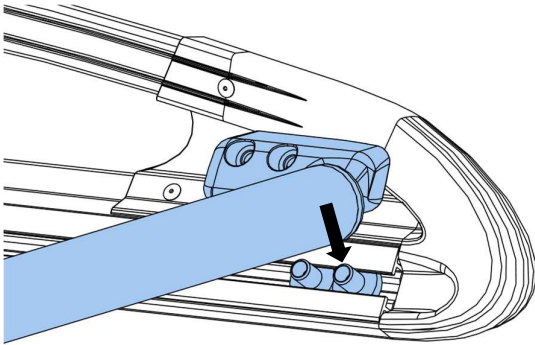
30.



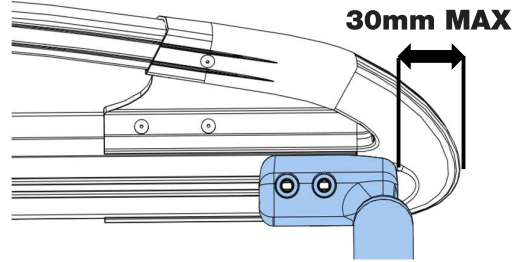
31.



32.

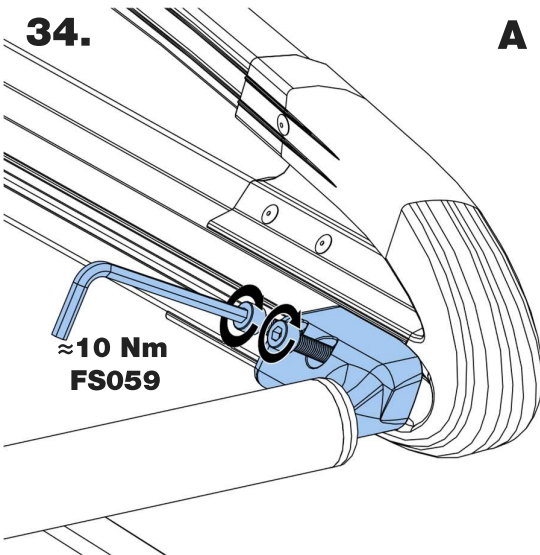


33.

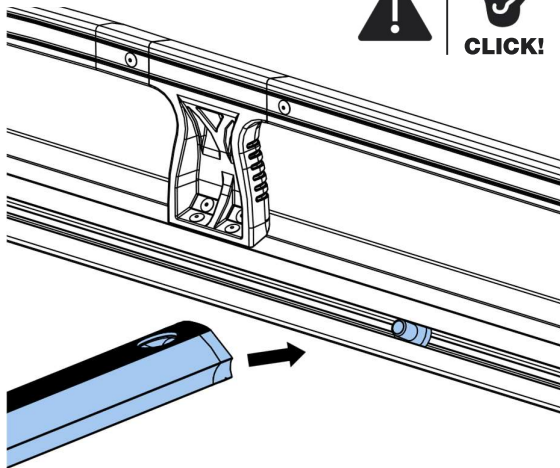


34.

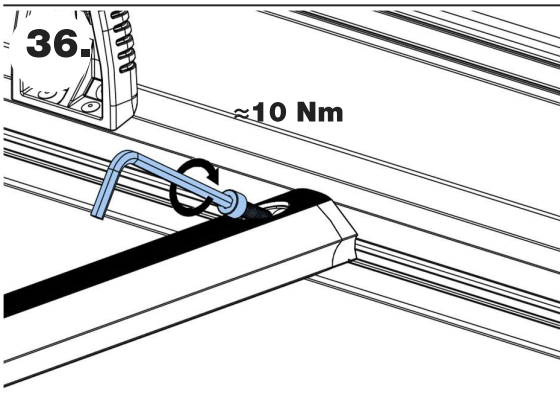
A



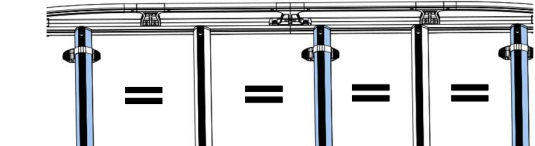
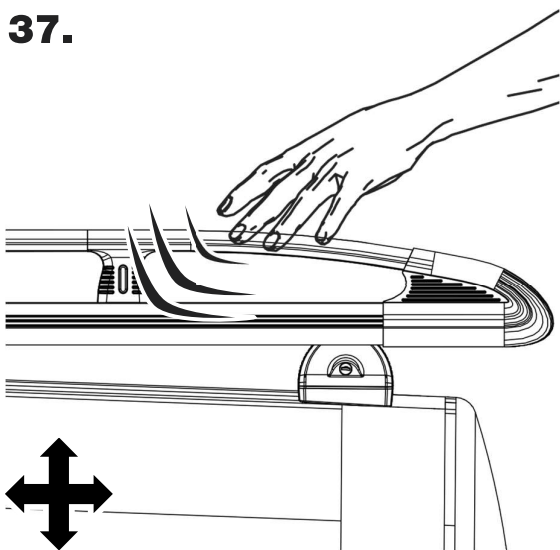
35.



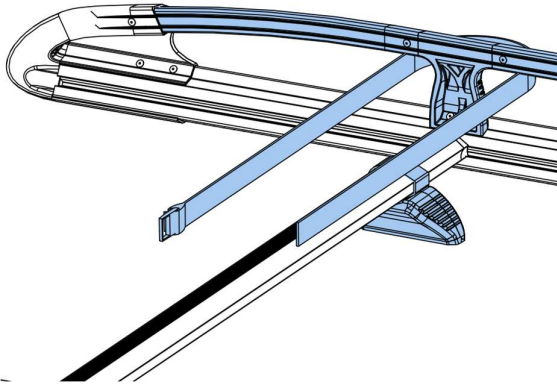
36.



37.



38.



39.

