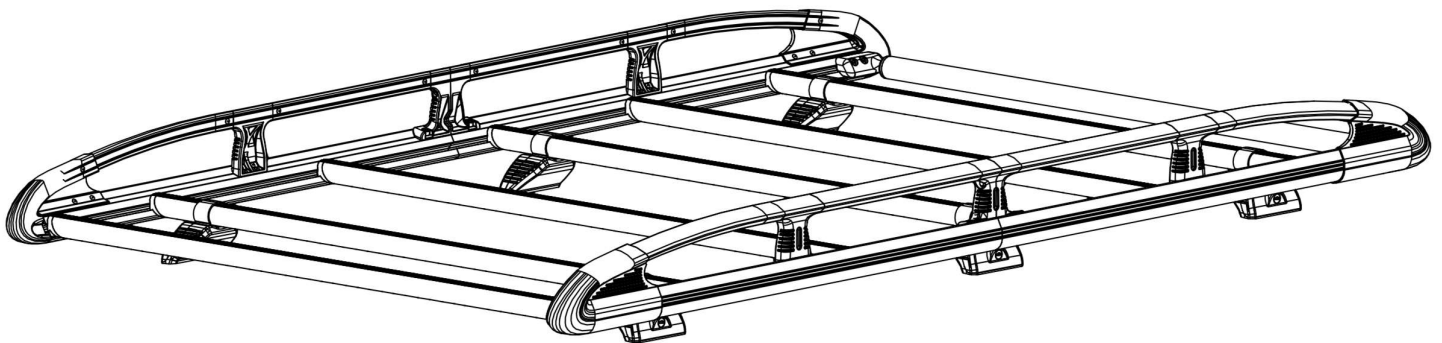


I3KR

KammRack

Instructions

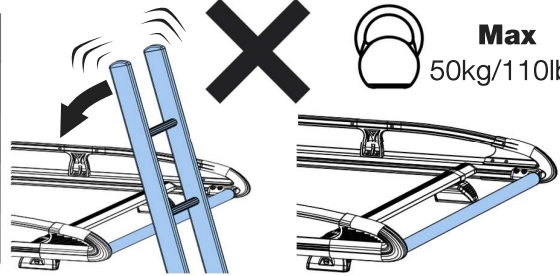
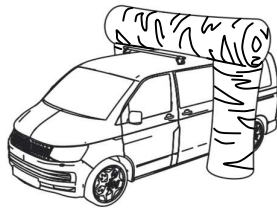
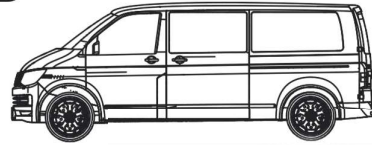


CITY CRASH (✓)

According to ISO/ PAS 11154:2006

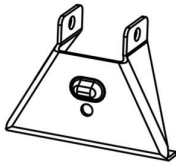
I3KR:

IVECO Daily, 2014-

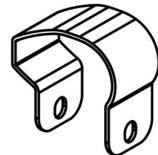


Max
50kg/110lbs

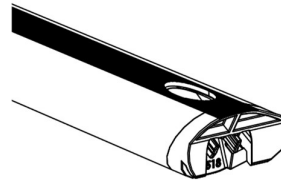
KammRack



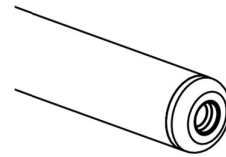
MS1632 x 6



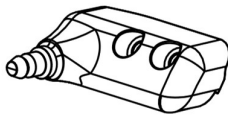
MS1142 x 6



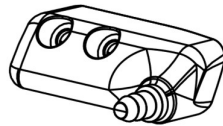
SA430



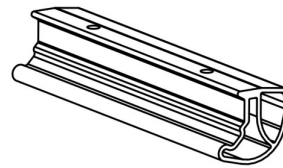
SA438 x 1



PS519 x 1



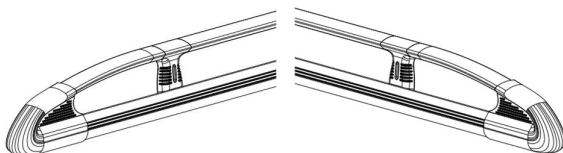
PS520 x 1



EXT15-02

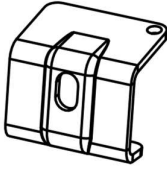
LHS x 2

RHS x 2

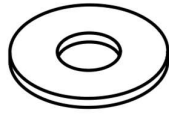


ASF x 1

Fitting Kit



20186003 x 6



FW002 (M8) x 24



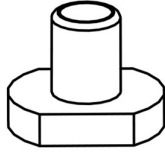
FN006 (M8) x 12



PS006-120 x 6



FS027
(M8 x 50)
x 6



FN085 x 18



FT05 x 1



FB003
(M8 x 65)
x 6

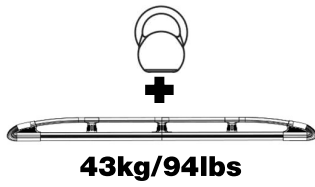


FS059
(M8 x 25) x 18

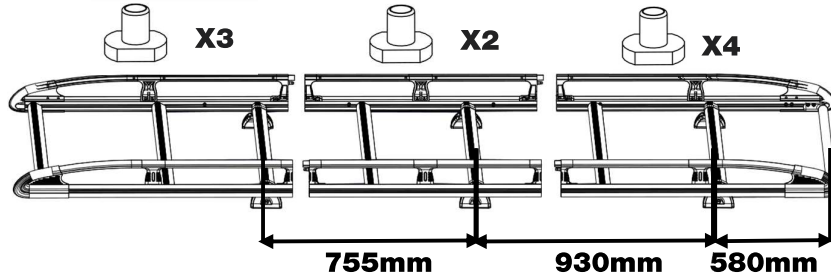
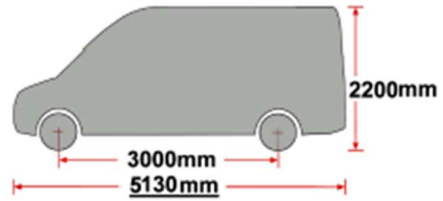


FT01 x 1

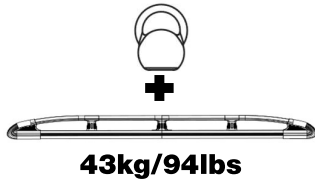
K565- Iveco Daily 2014- L1, H1, Twin Doors.



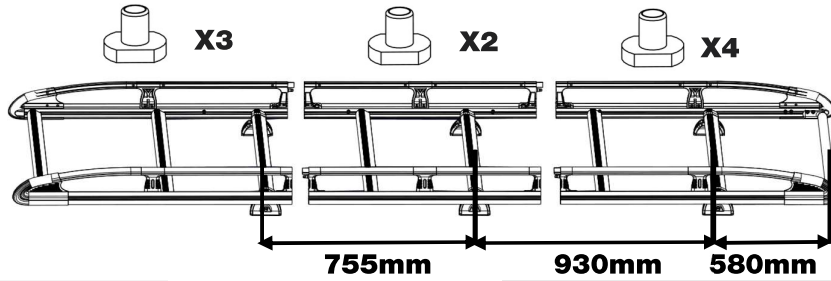
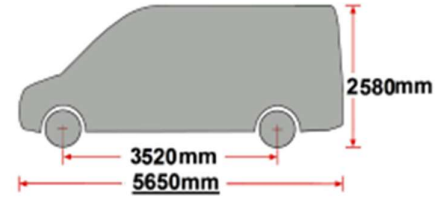
150kg
Max

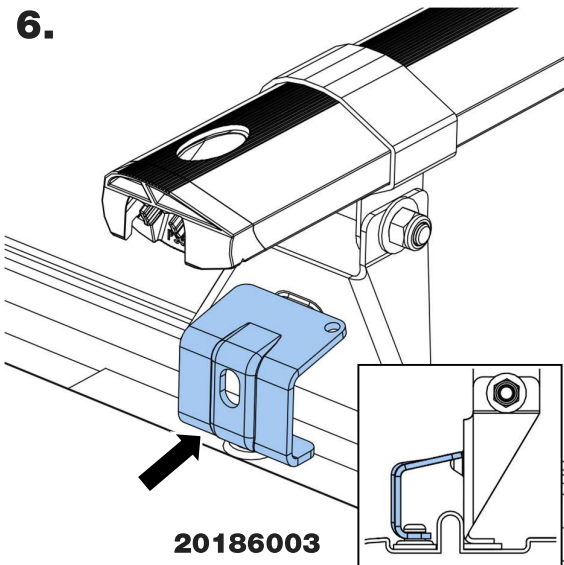
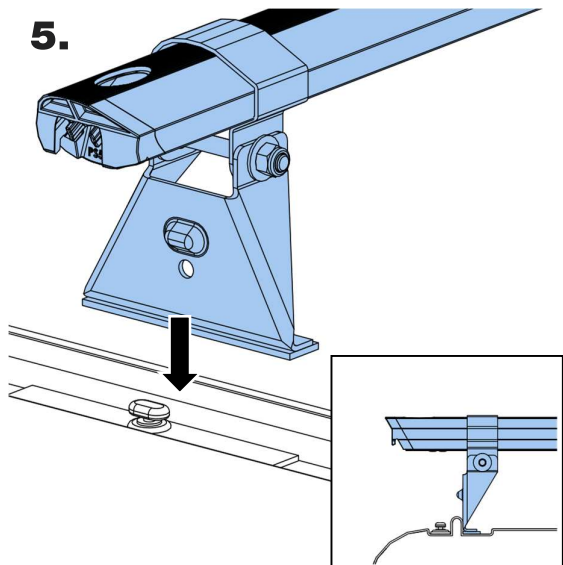
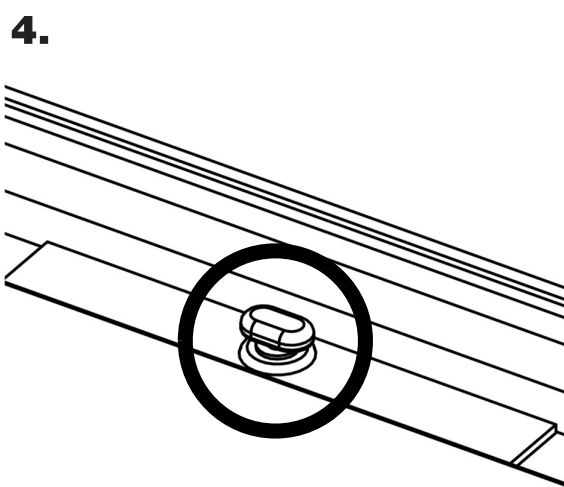
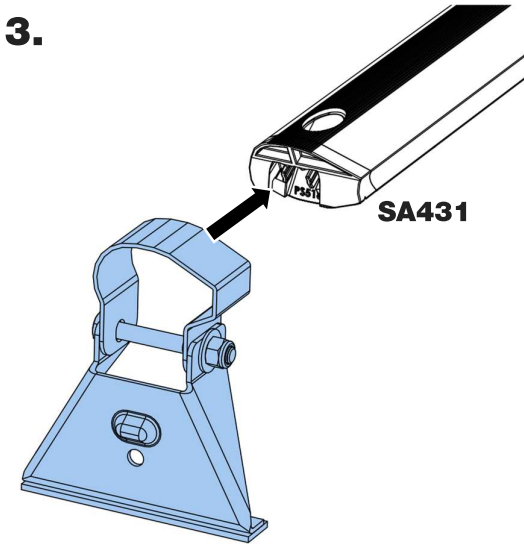
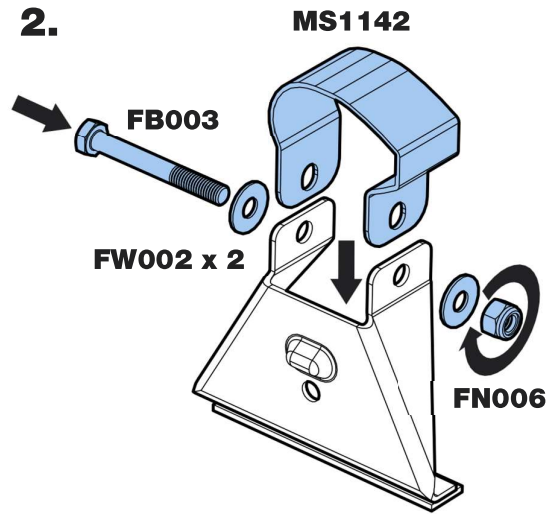
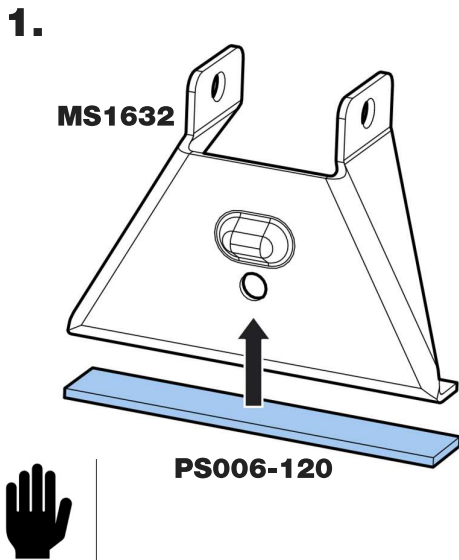


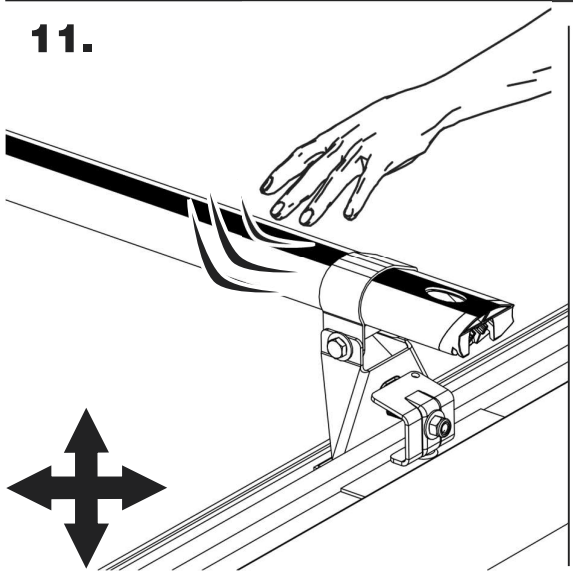
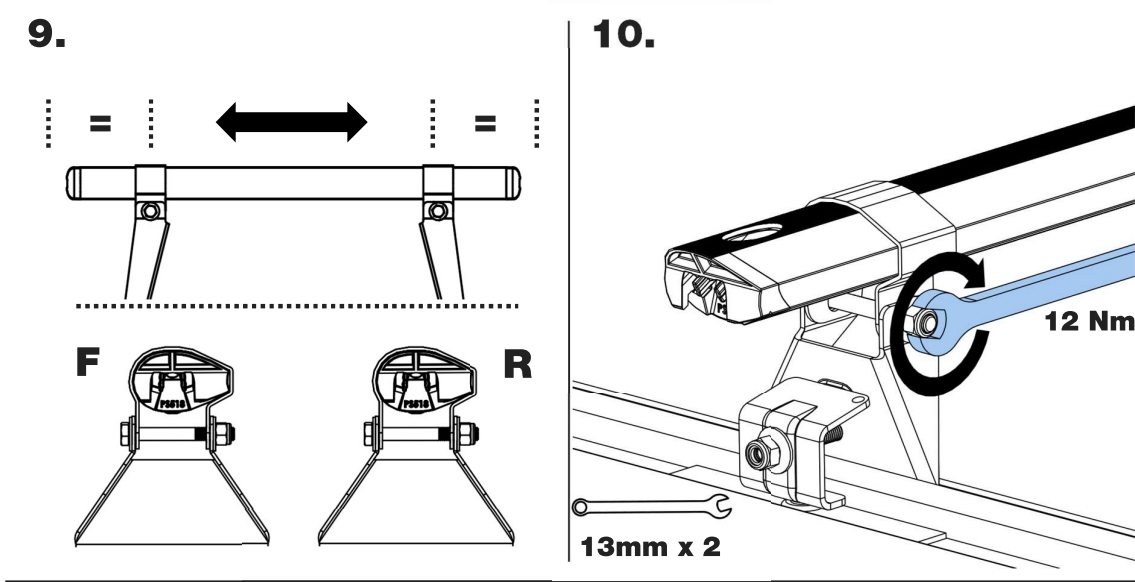
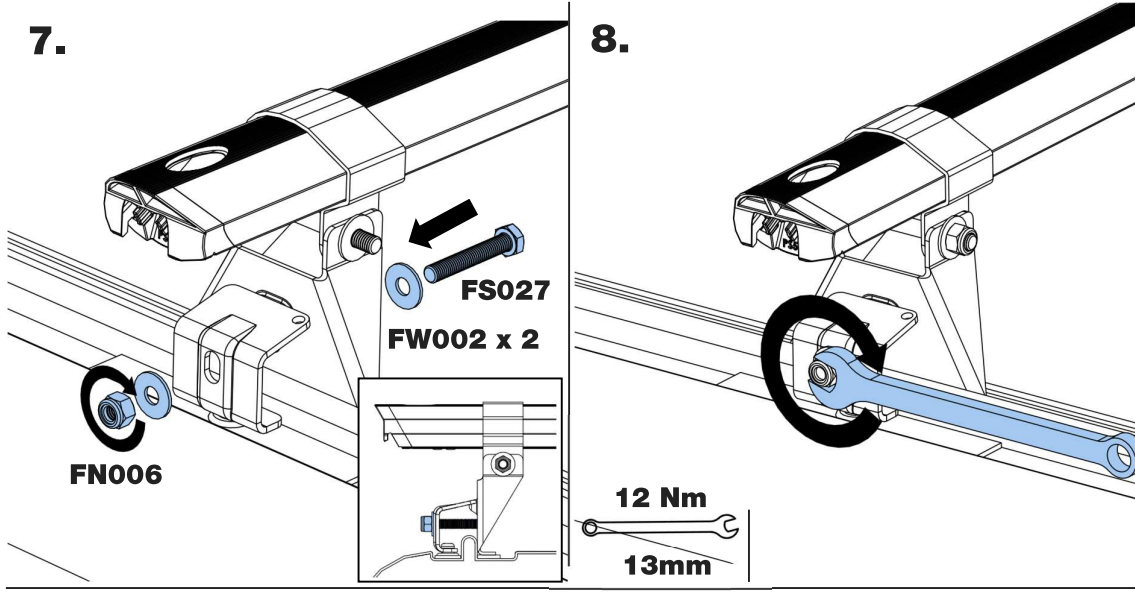
K565- Iveco Daily 2014- L2, H2, Twin Doors.



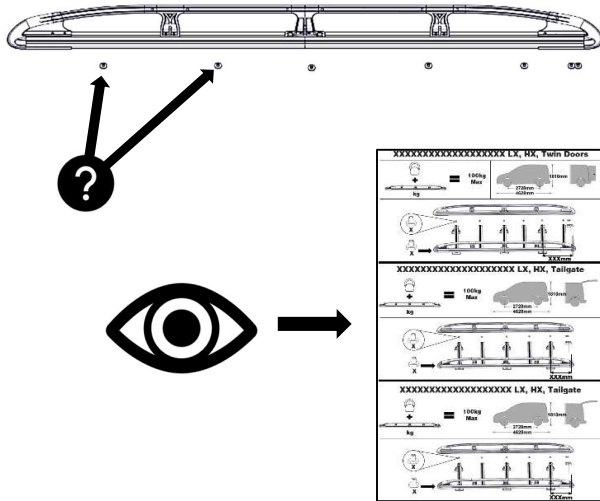
150kg
Max



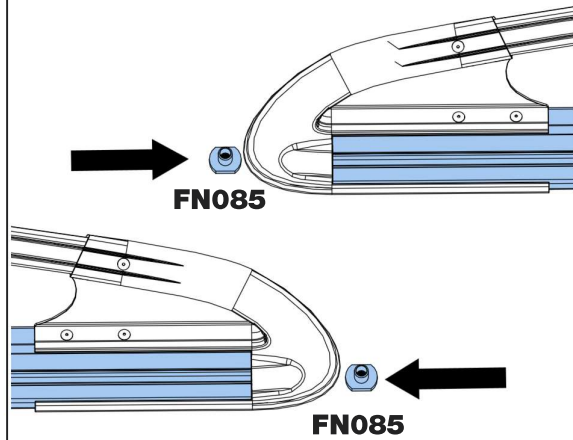




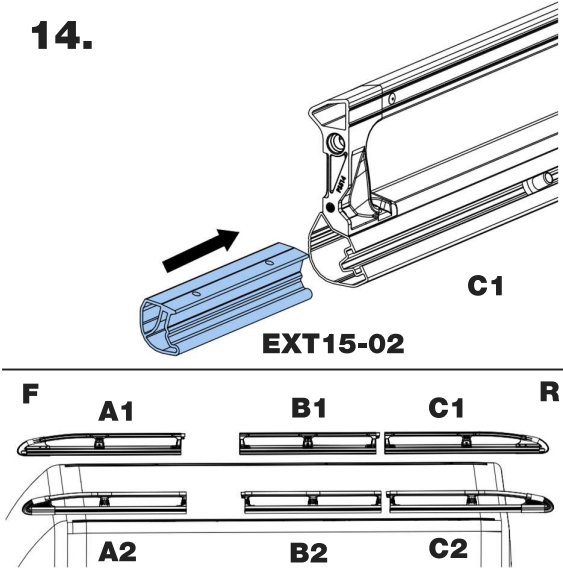
12.



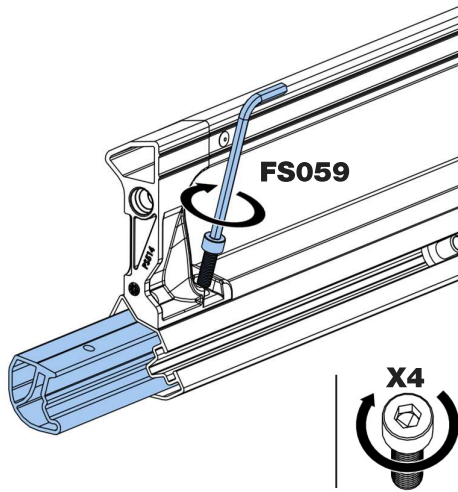
13.



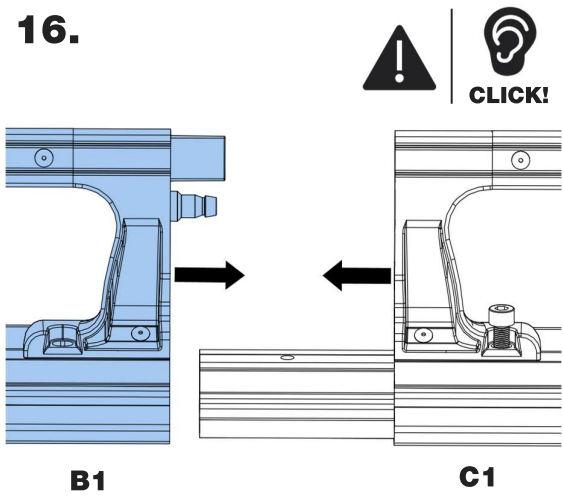
14.



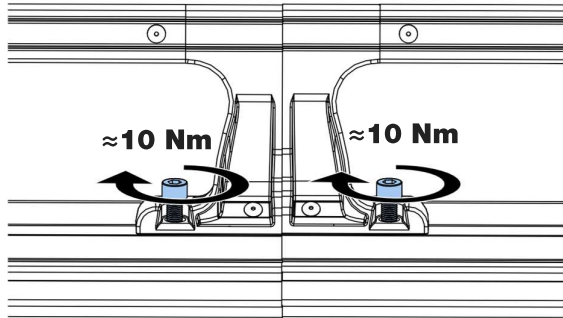
15.



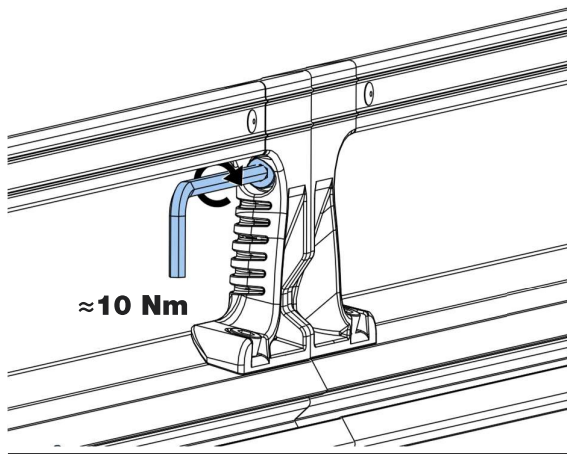
16.



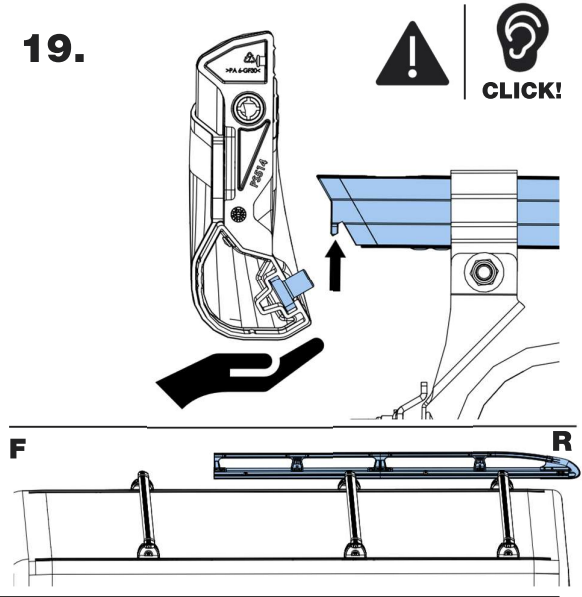
17.



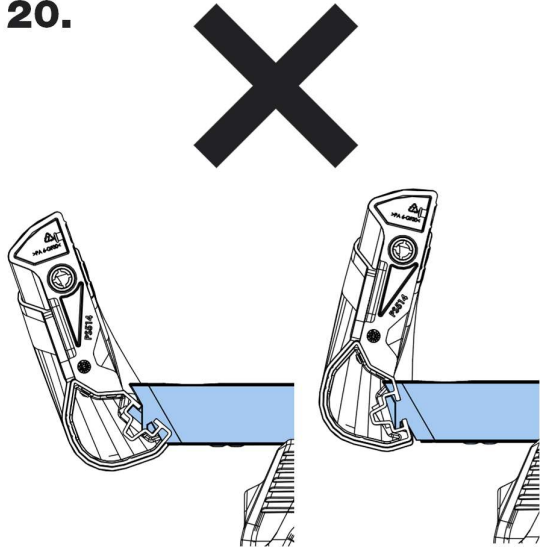
18.



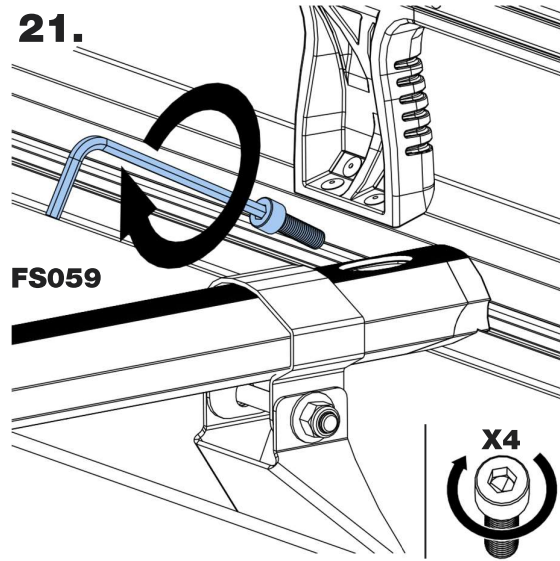
19.



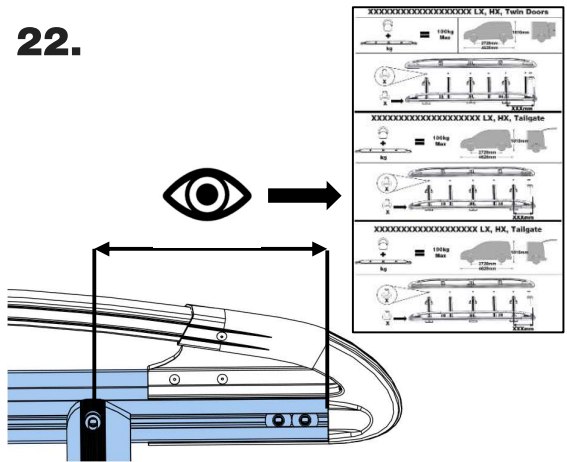
20.



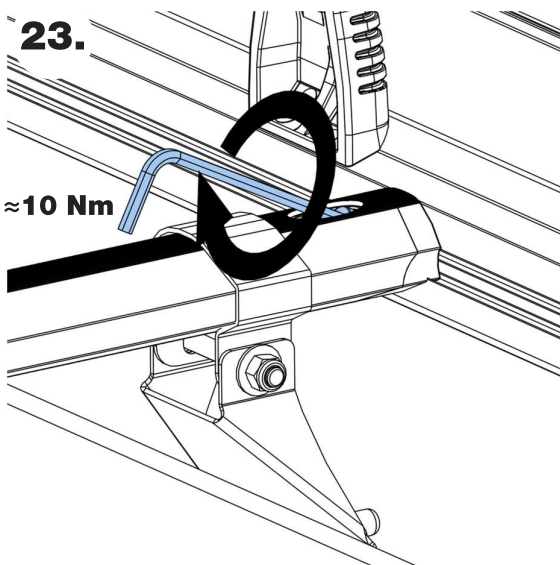
21.



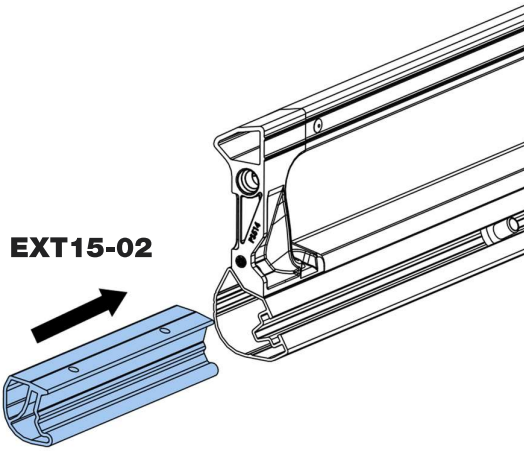
22.



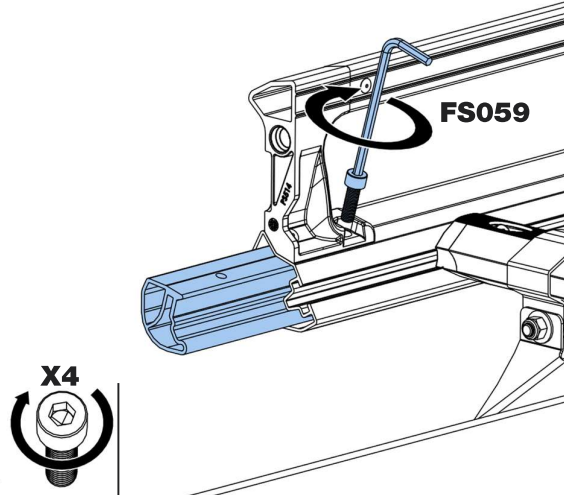
23.



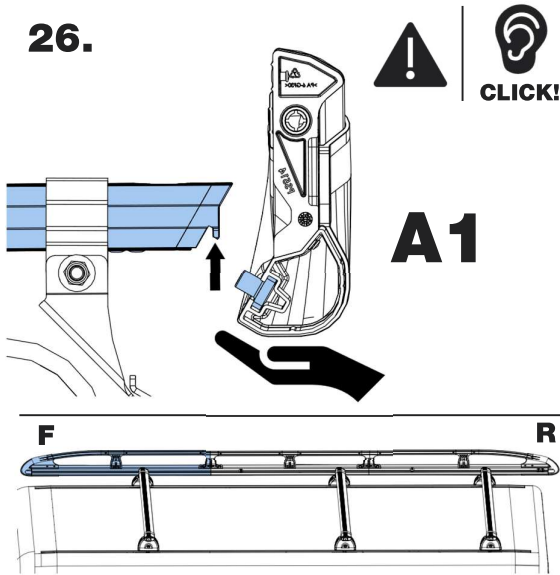
24.



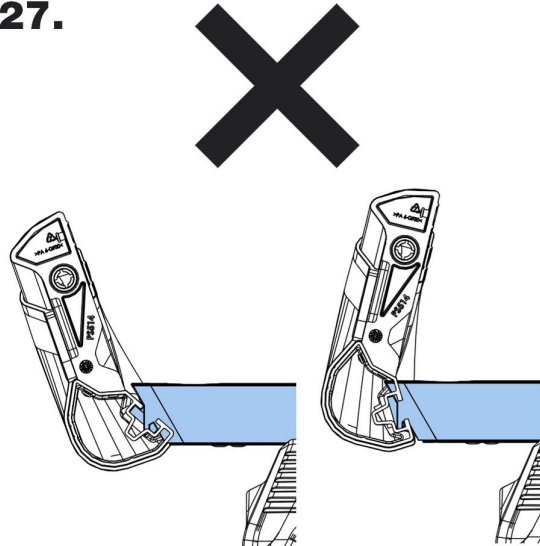
25.



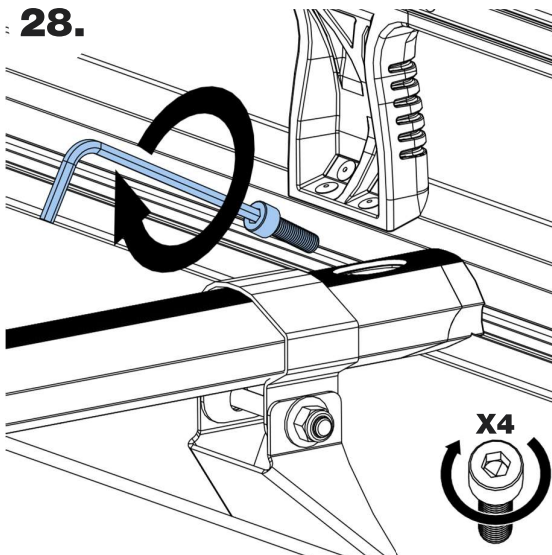
26.



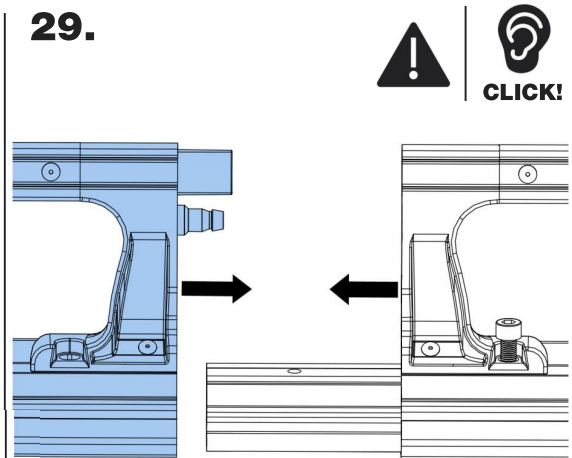
27.



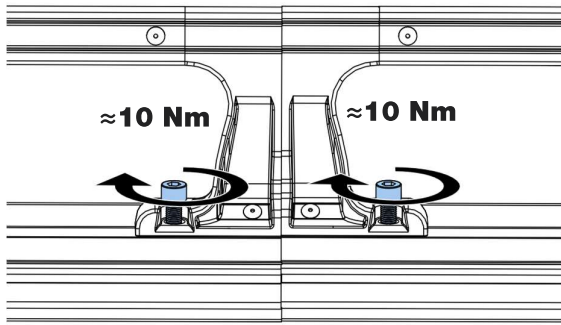
28.



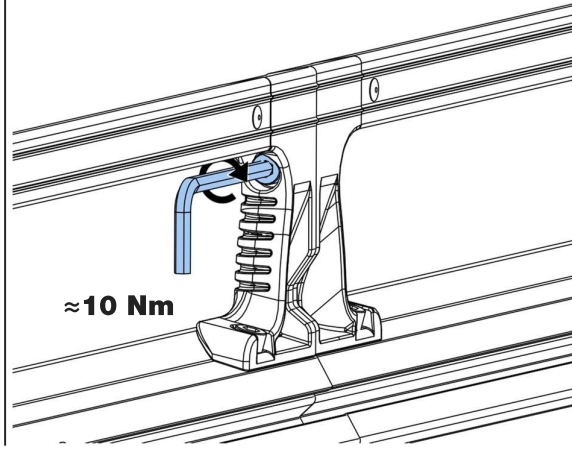
29.



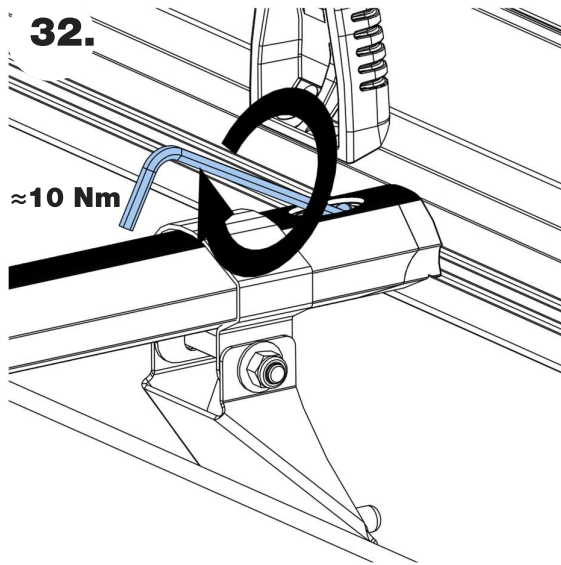
30.



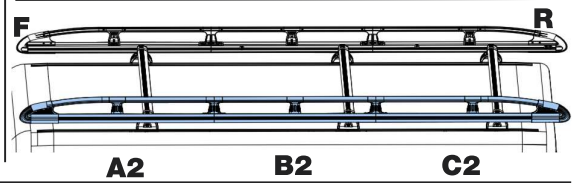
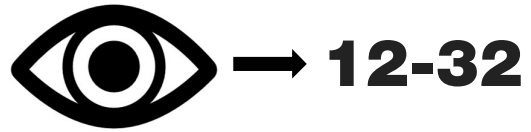
31.



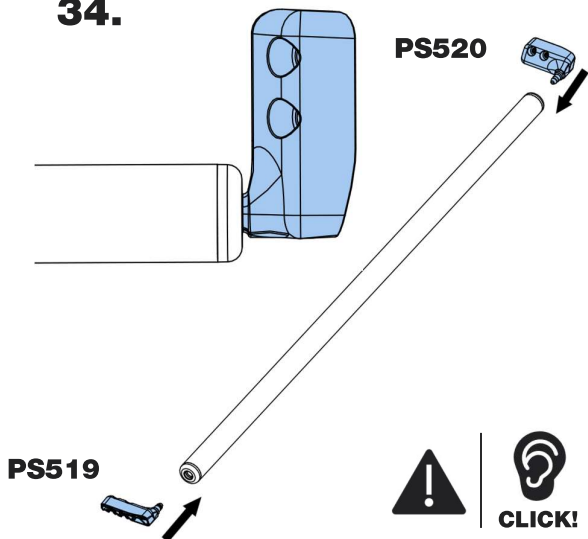
32.



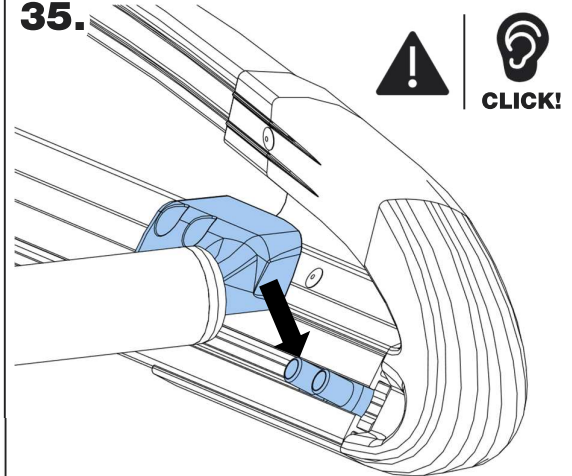
33.



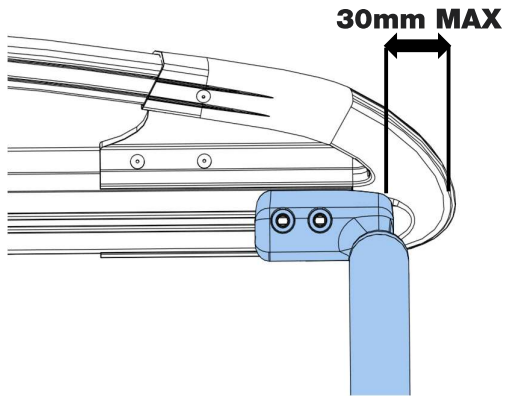
34.



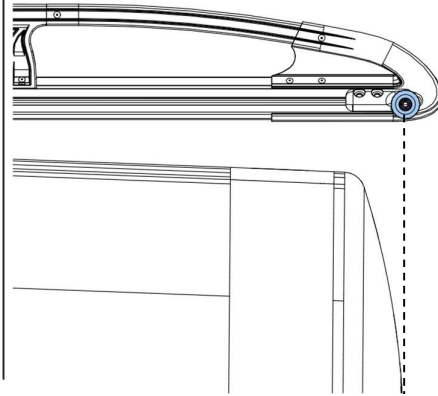
35.



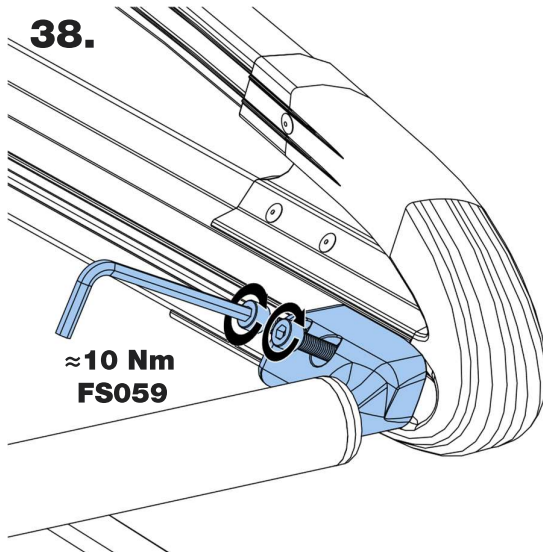
36.



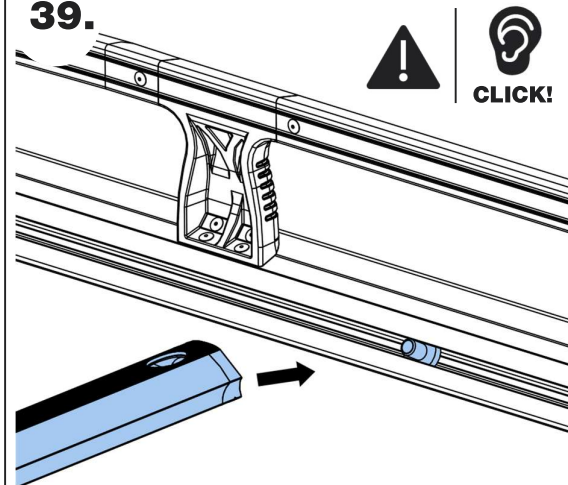
37.



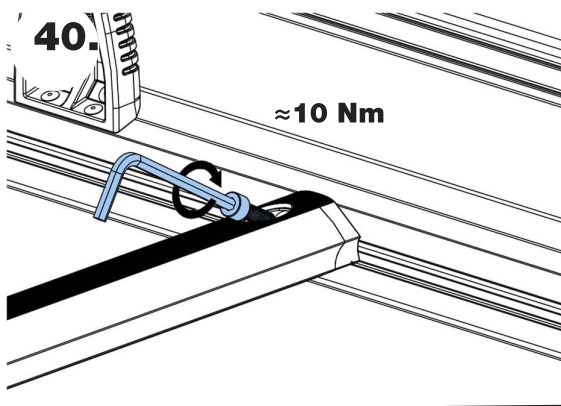
38.



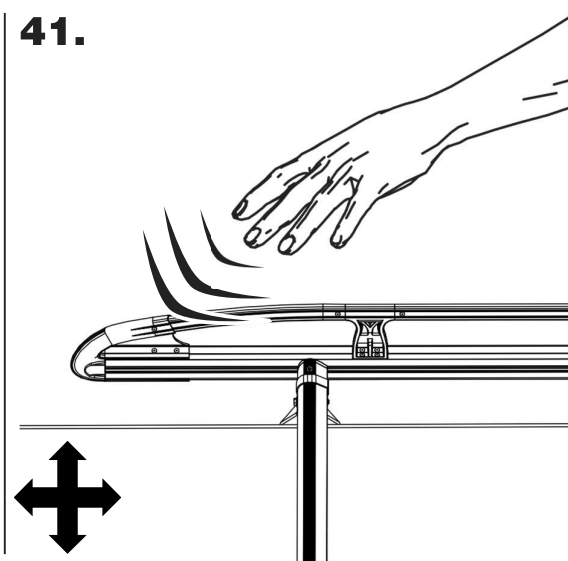
39.



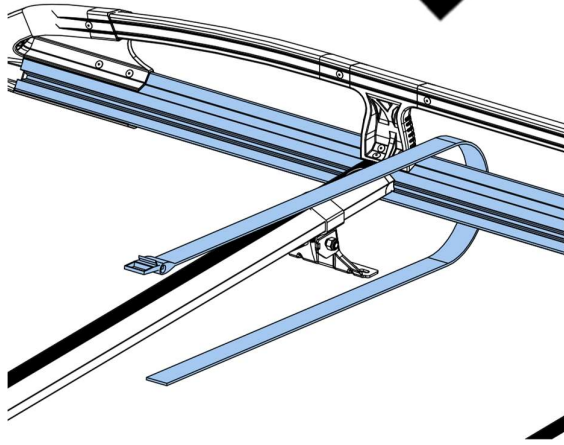
40.



41.



42.



43.

