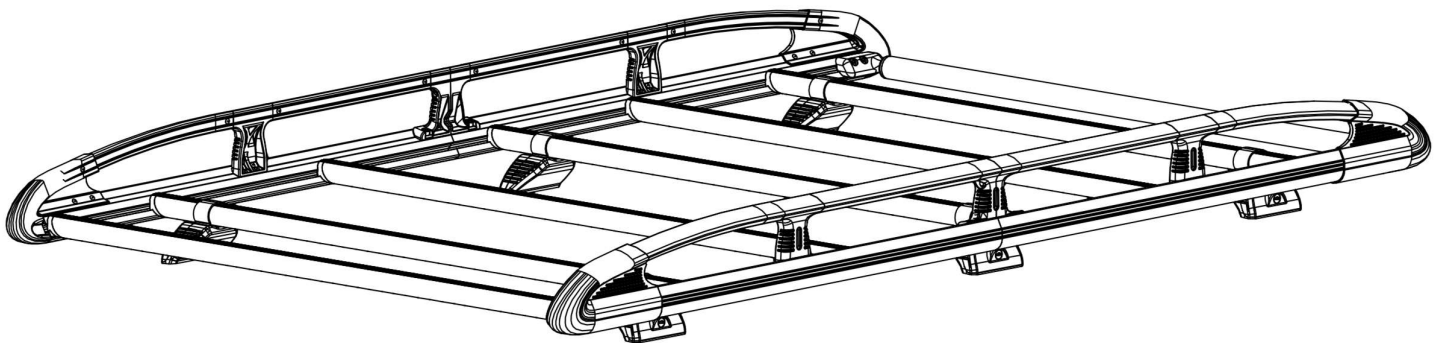


# I4KR

# KammRack

## Instructions

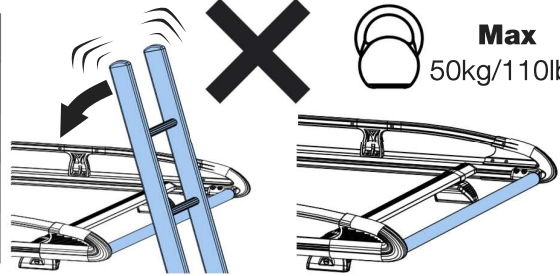
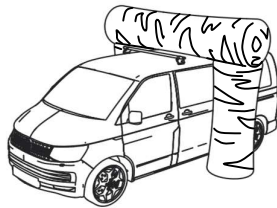
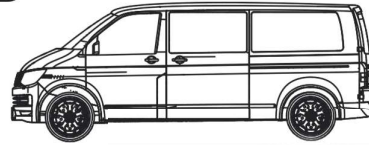


**CITY CRASH** (✓)

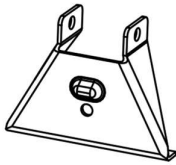
According to ISO/ PAS 11154:2006

**I4KR:**

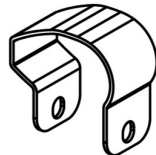
**IVECO** Daily, 2014-



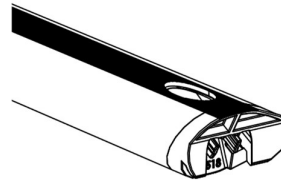
## KammRack



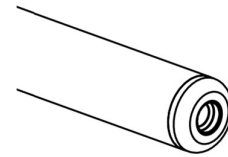
**MS1632 x 8**



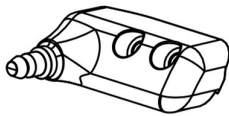
**MS1142 x 8**



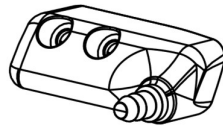
**SA430**



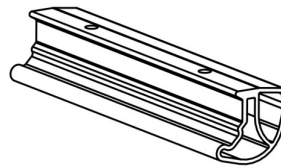
**SA438 x 1**



**PS519 x 1**



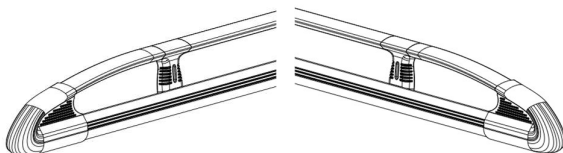
**PS520 x 1**



**EXT15-02**

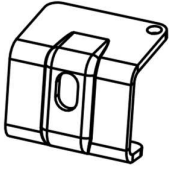
**LHS x 2**

**RHS x 2**

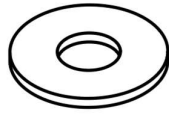


**ASF x 1**

# Fitting Kit



20186003 x 8



FW002 (M8) x 28



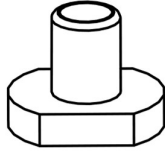
FN006 (M8) x 16



PS006-120 x 8



FS027  
(M8 x 50)  
x 8



FN085 x 18



FT05 x 1



FB003  
(M8 x 65)  
x 8

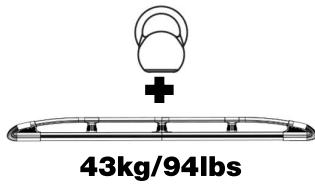


FS059   
(M8 x 25) x 18

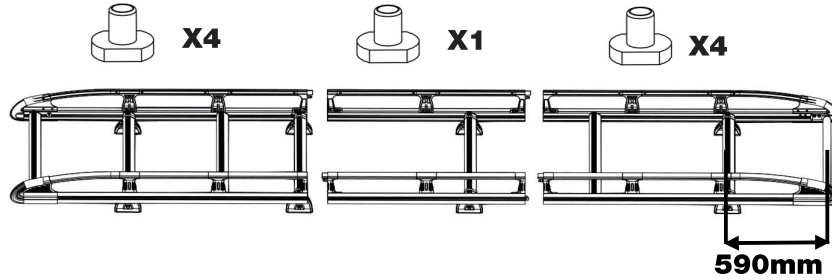
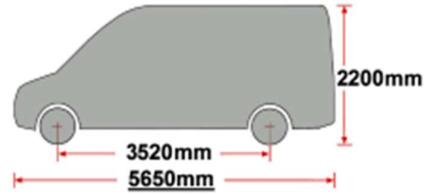


FT01 x 1

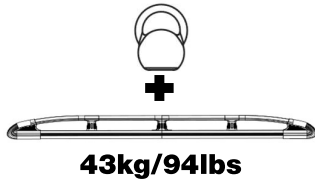
### K639- Iveco Daily 2014- L2, H1, Twin Doors.



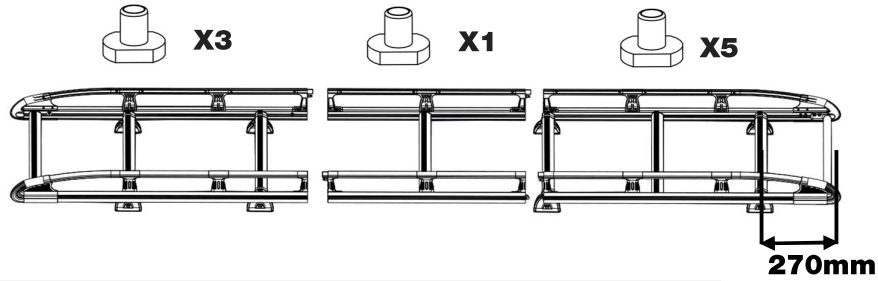
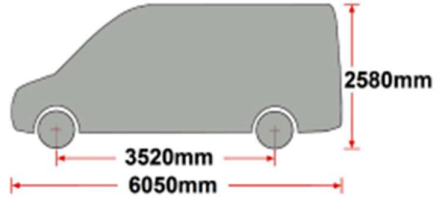
150kg  
Max



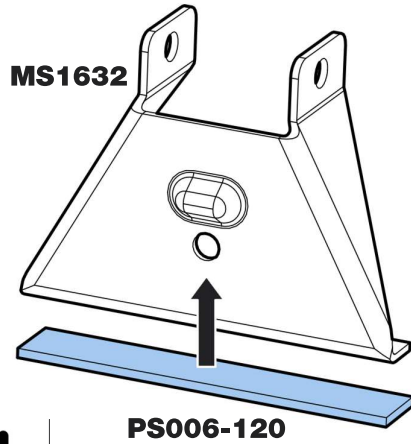
### K665- Iveco Daily 2014- L3, H2, Twin Doors.



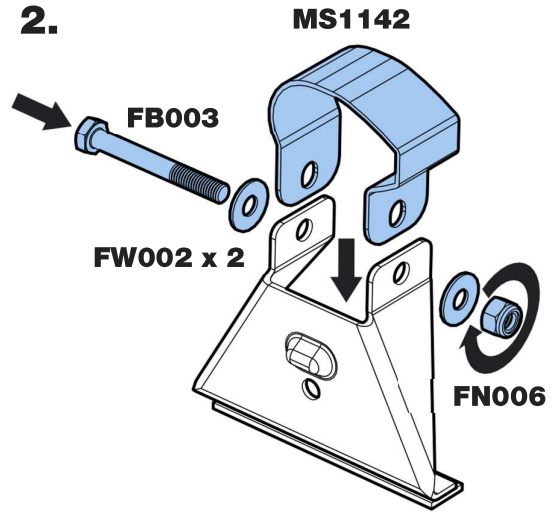
150kg  
Max



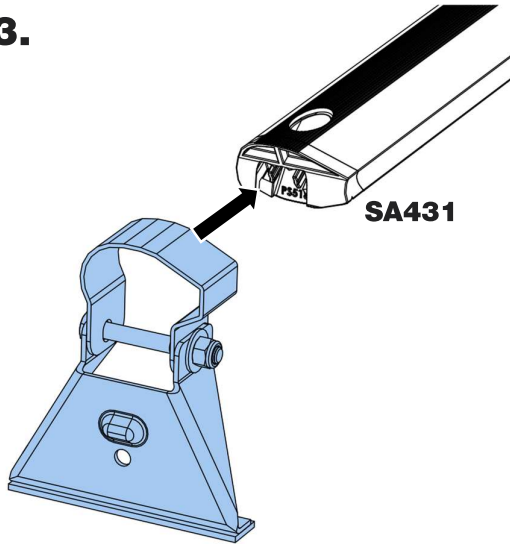
1.



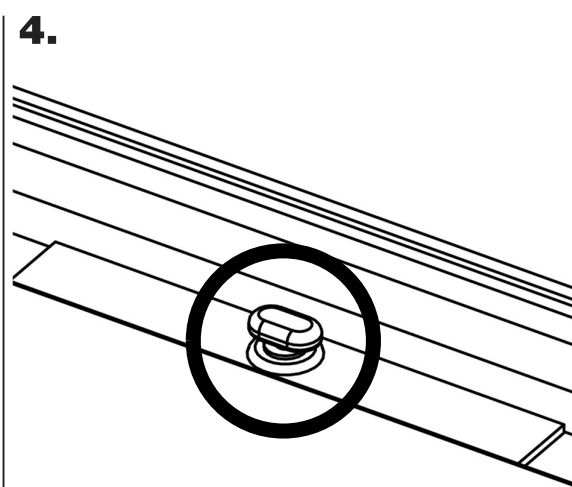
2.



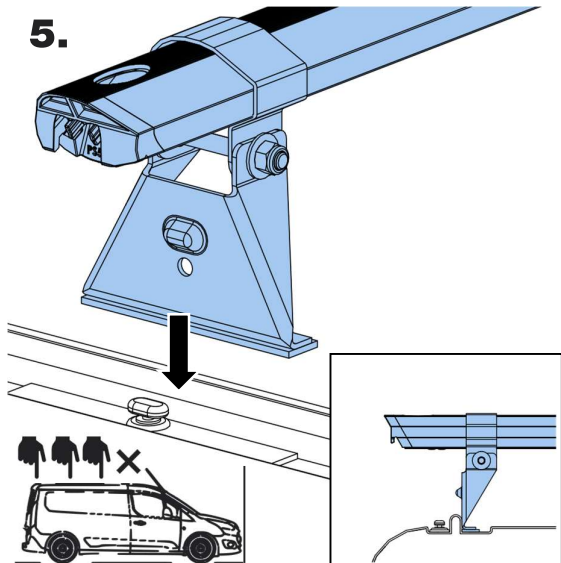
3.



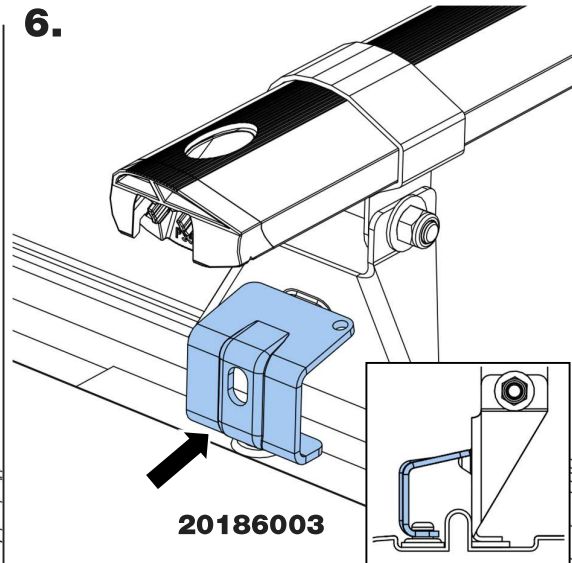
4.

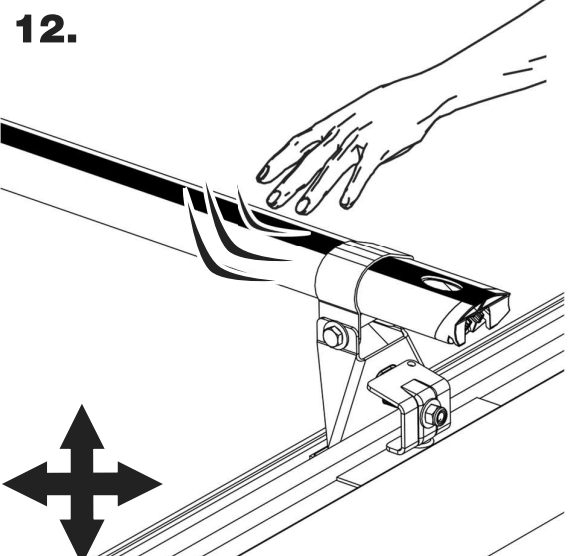
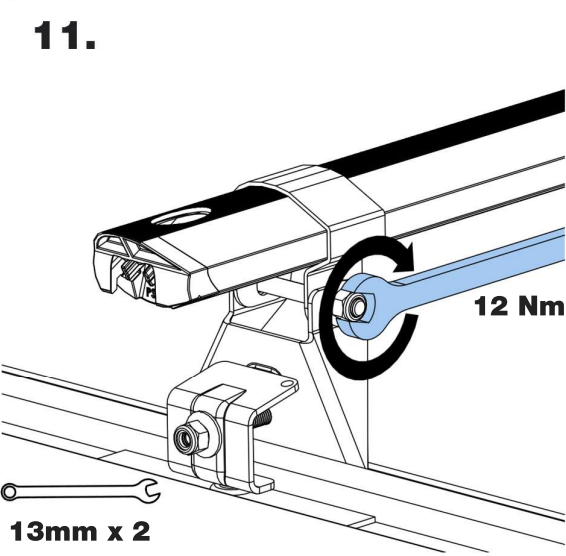
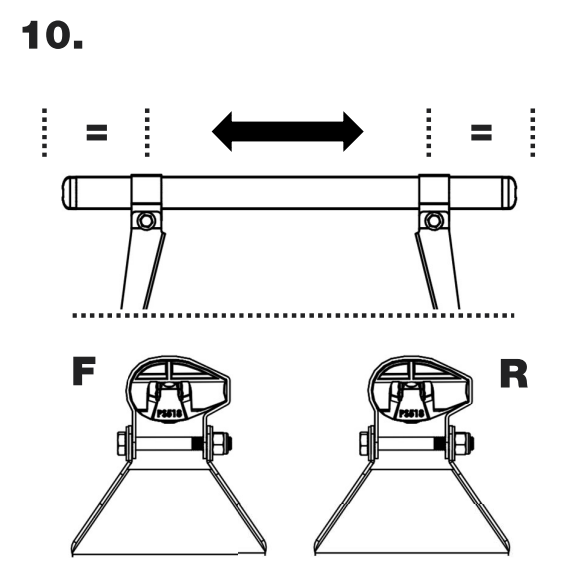
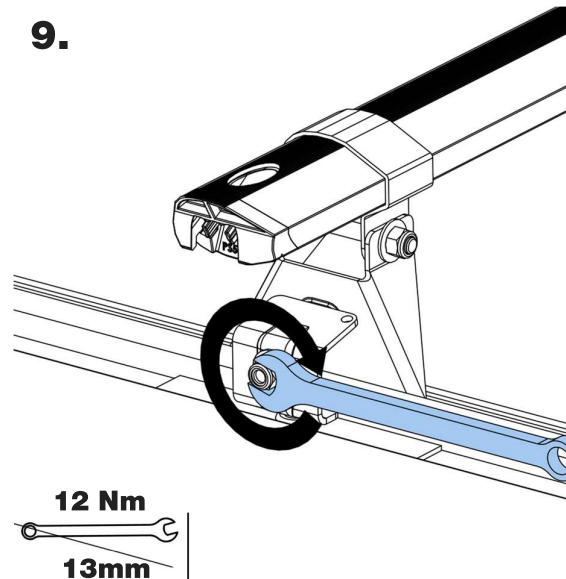
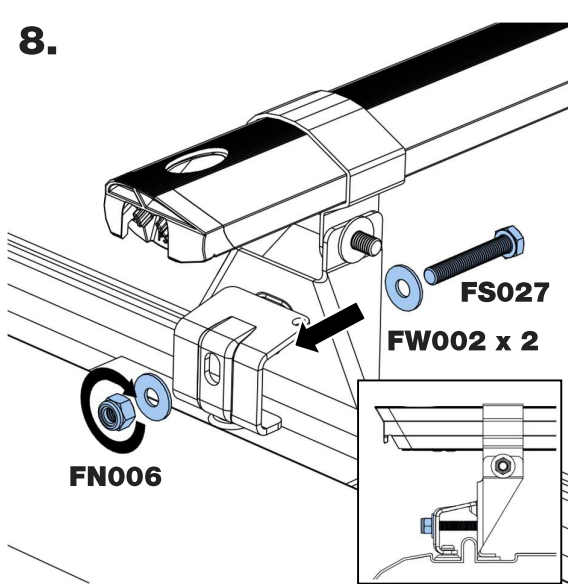
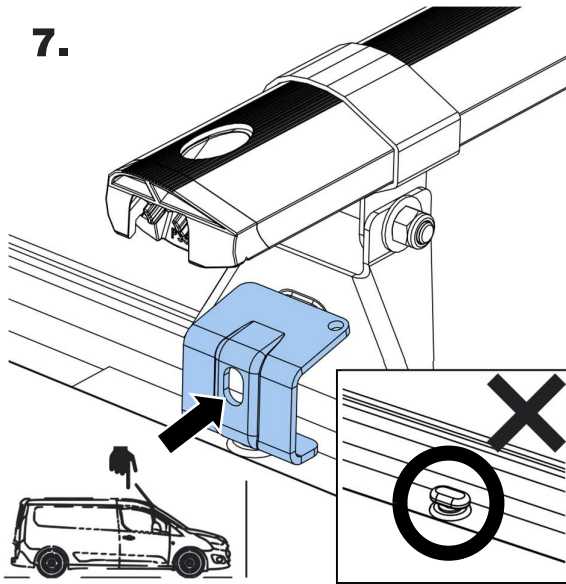


5.

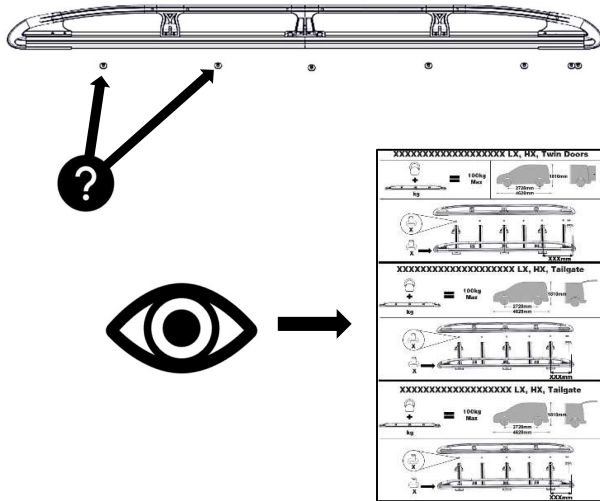


6.

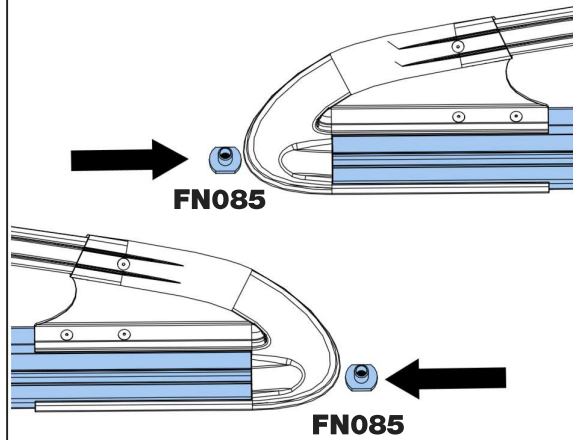




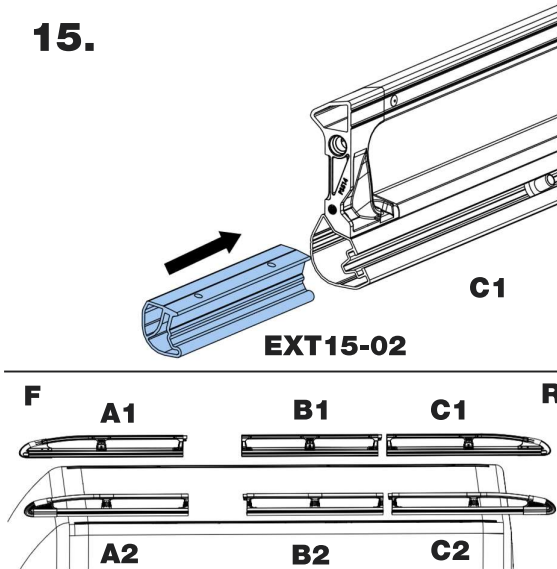
13.



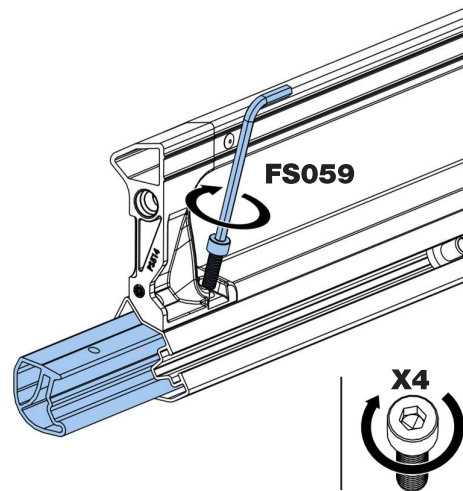
14.



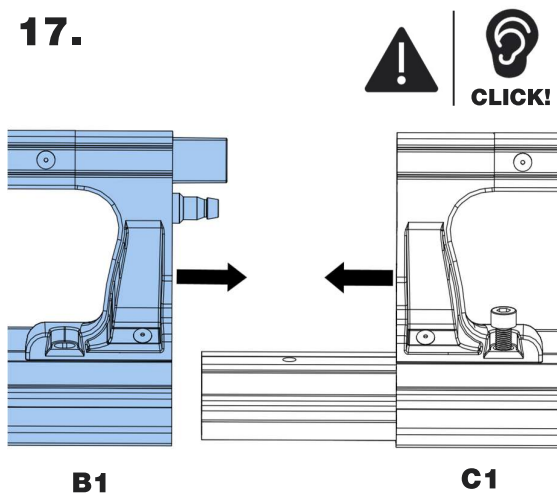
15.



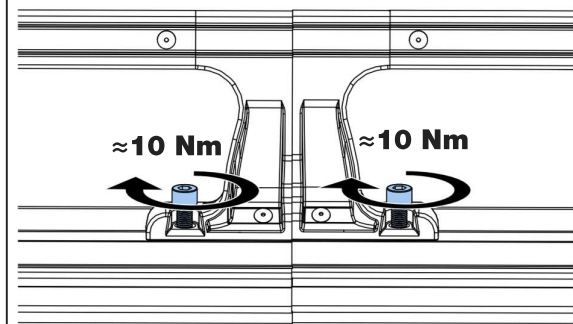
16.



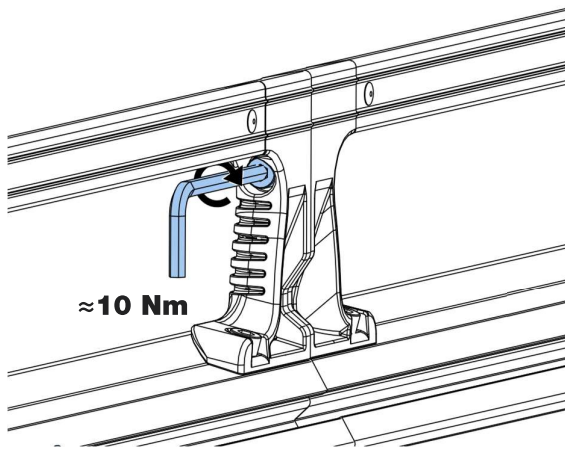
17.



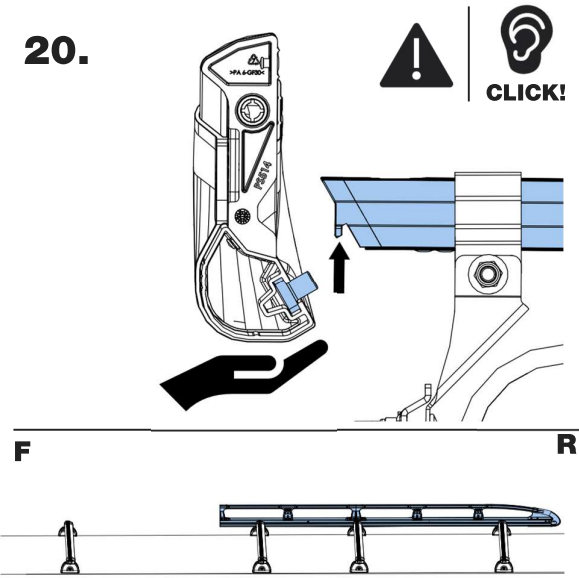
18.



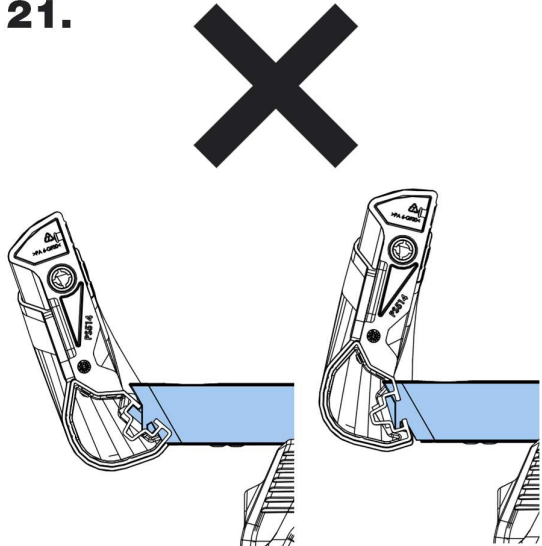
19.



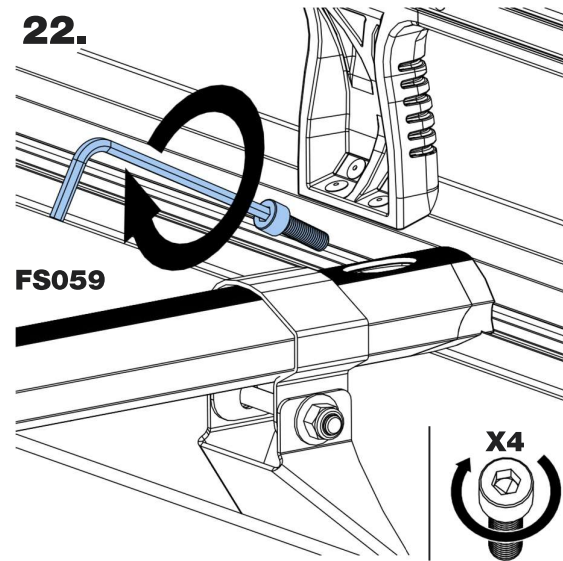
20.



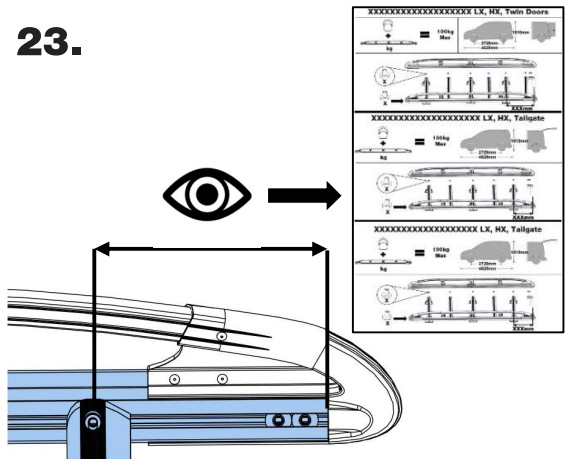
21.



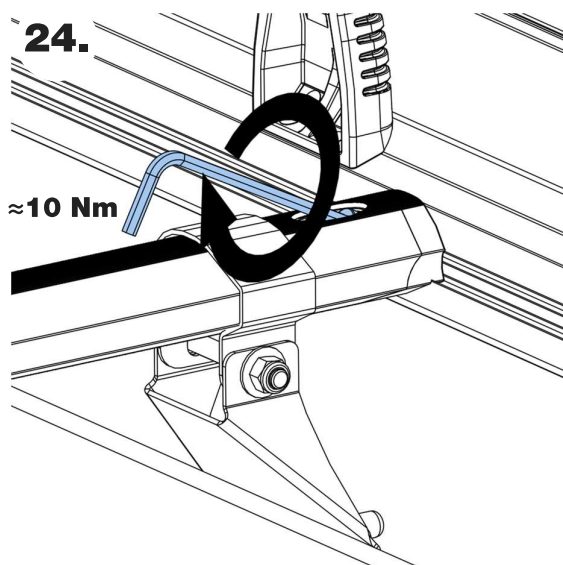
22.



23.

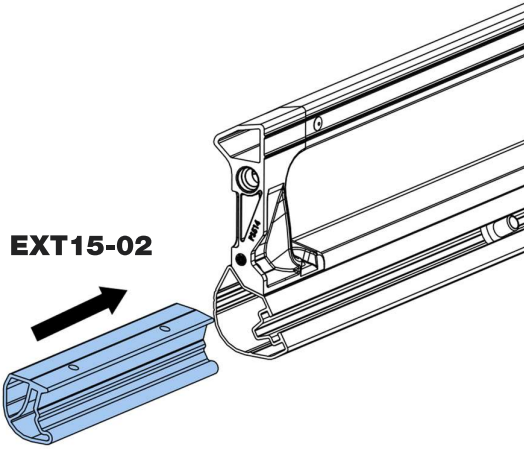


24.

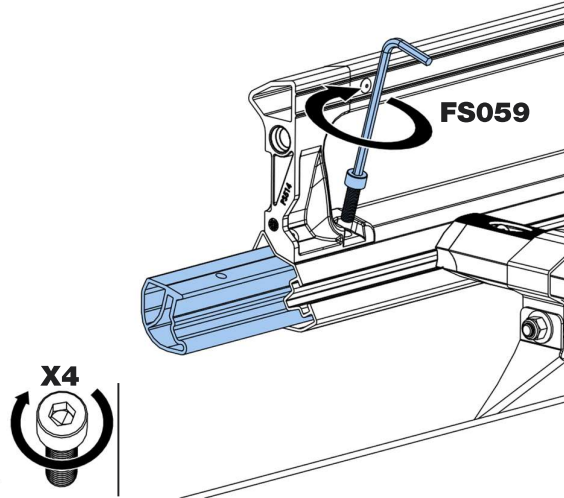




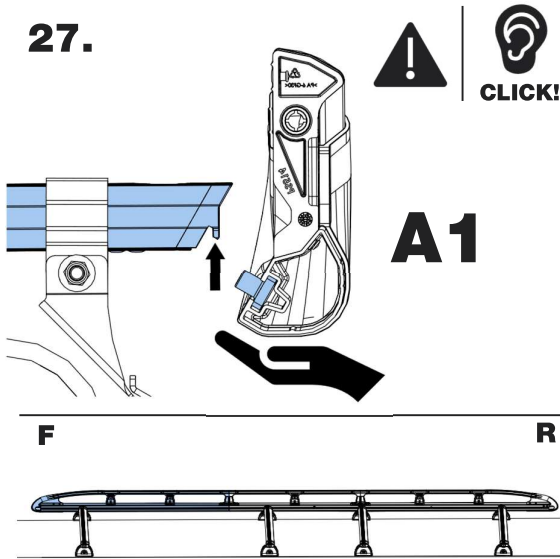
25.



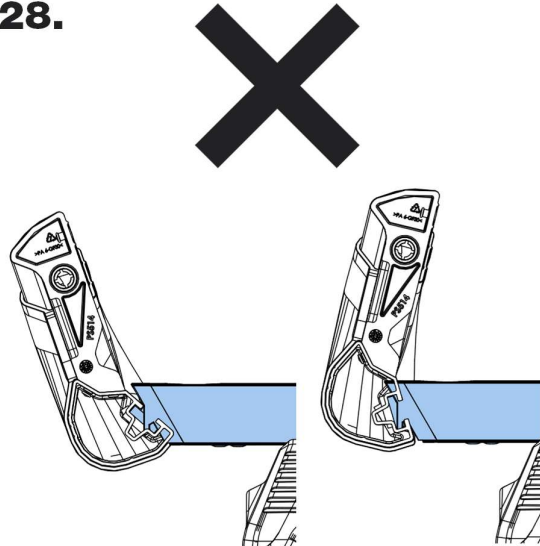
26.



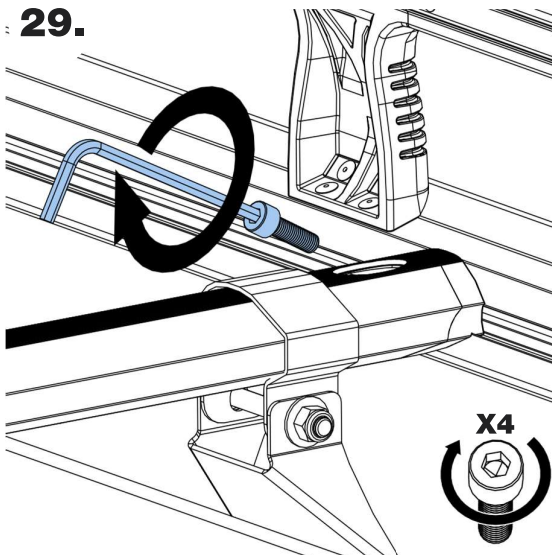
27.



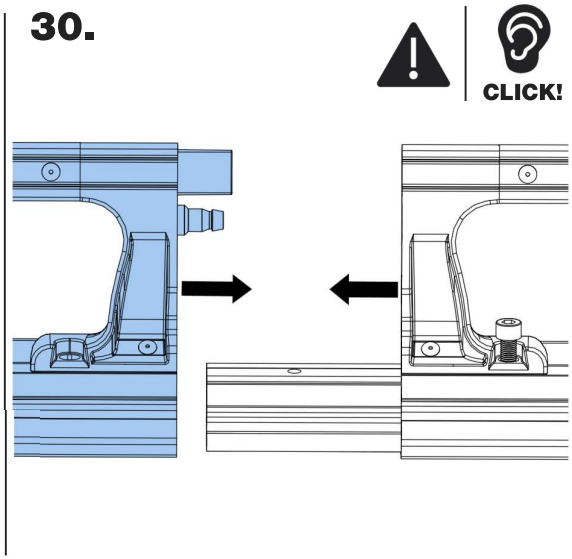
28.



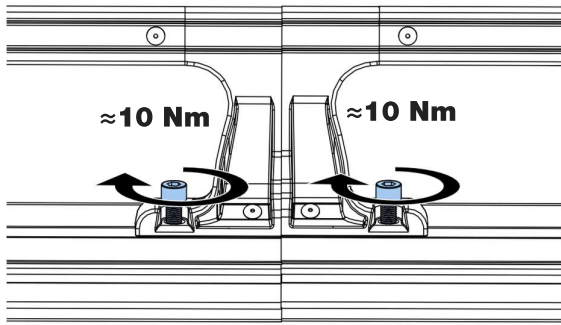
29.



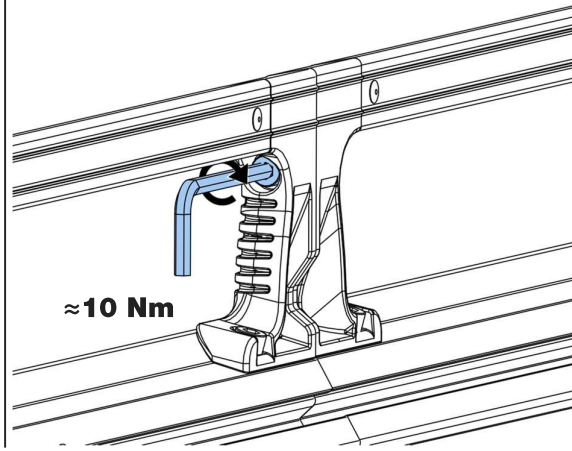
30.



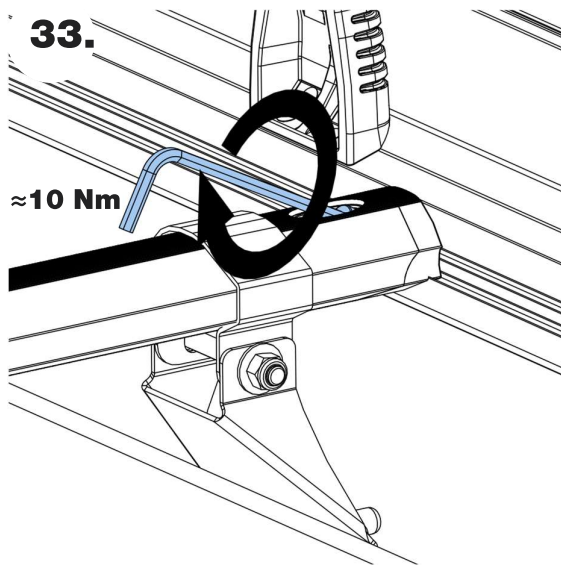
31.



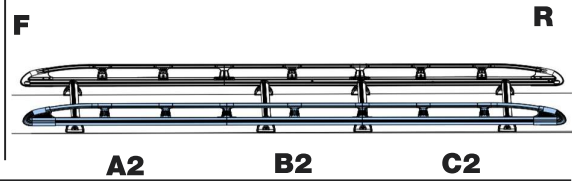
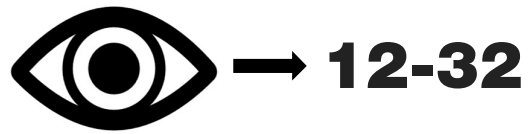
32.



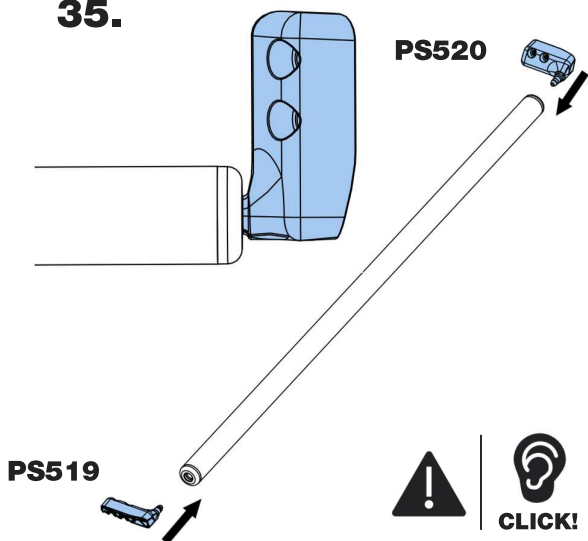
33.



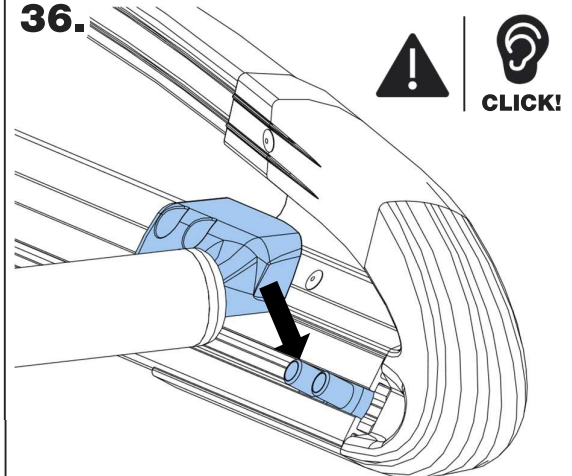
34.



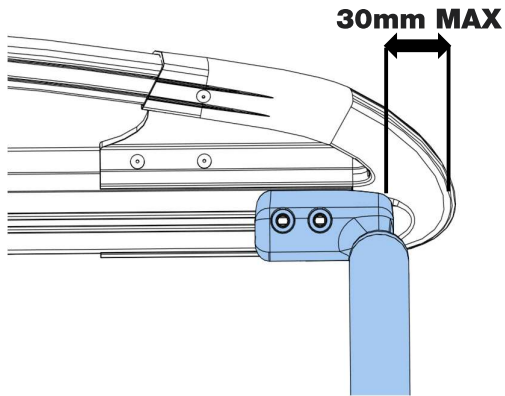
35.



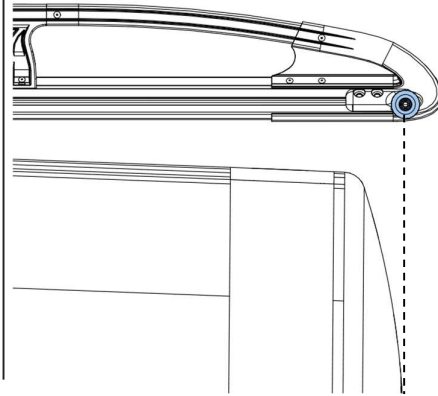
36.



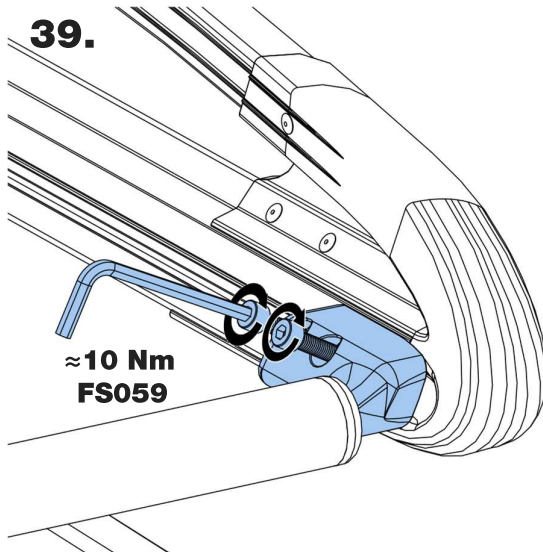
37.



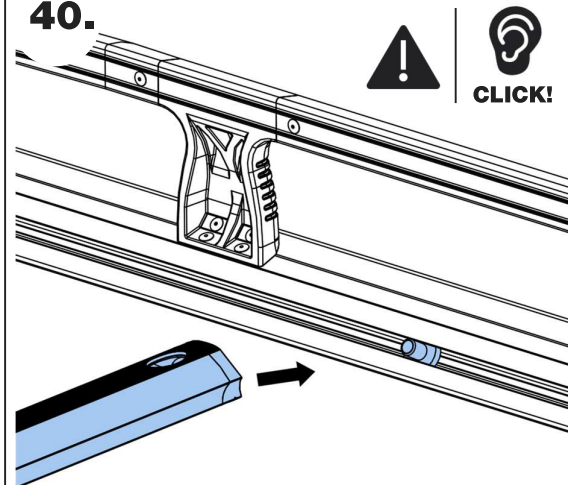
38.



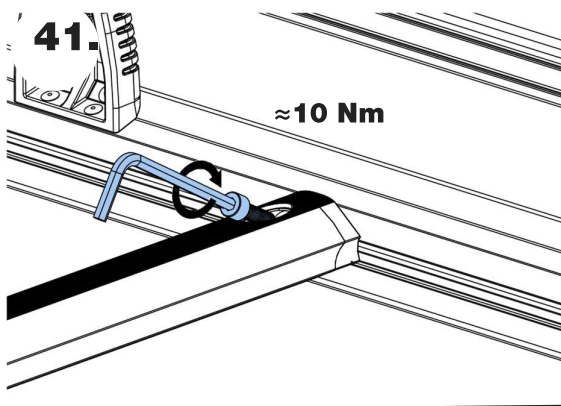
39.



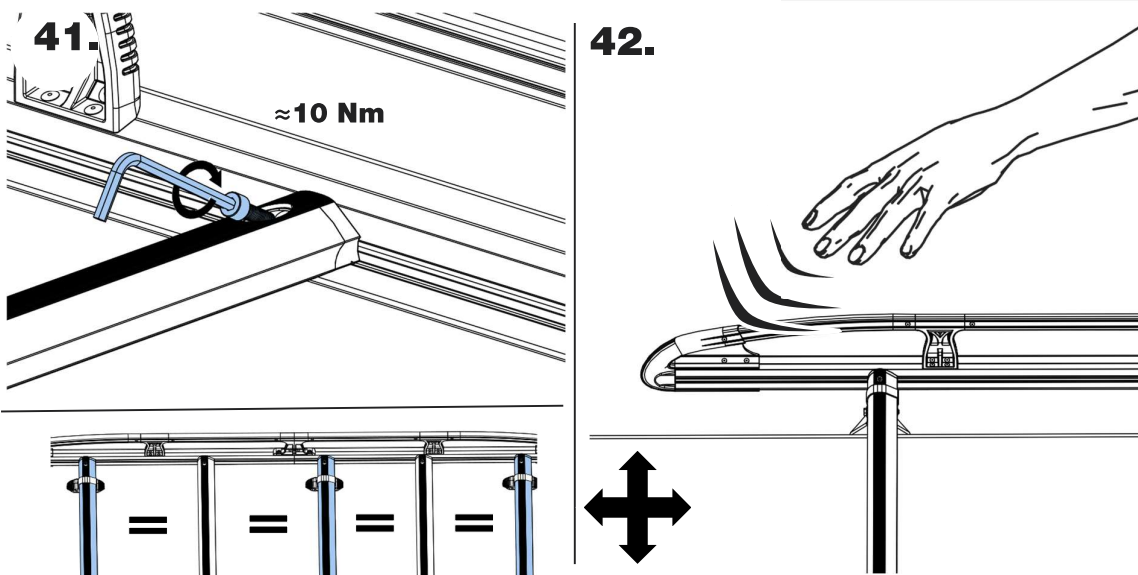
40.



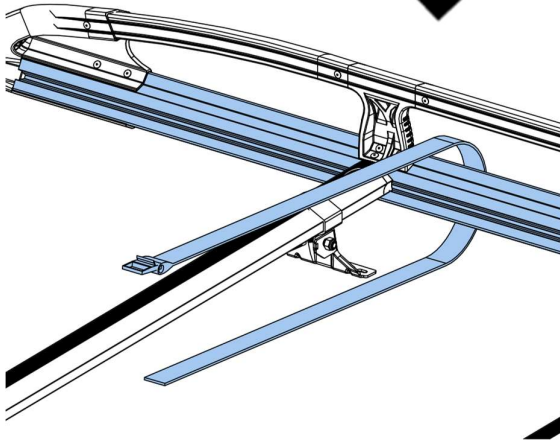
41.



42.



**43.**



**44.**

