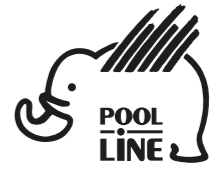


- E** Instrucciones de montaje
- C** Instruccions de muntatge
- GB** Assembly instructions
- F** Instruction de montage
- D** Montageanleitung
- PT** Instruções de montagem
- I** Istruzioni di montaggio
- PL** Instrukcja montażu
- CZ** Montážní návod
- HU** Szerelési Utasítás
- RO** Instrucțiuni de montaj
- HR** Detaljne upute
- TU** Öncelikle montaj

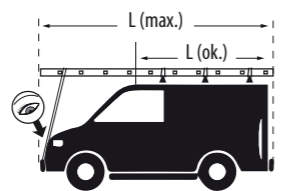
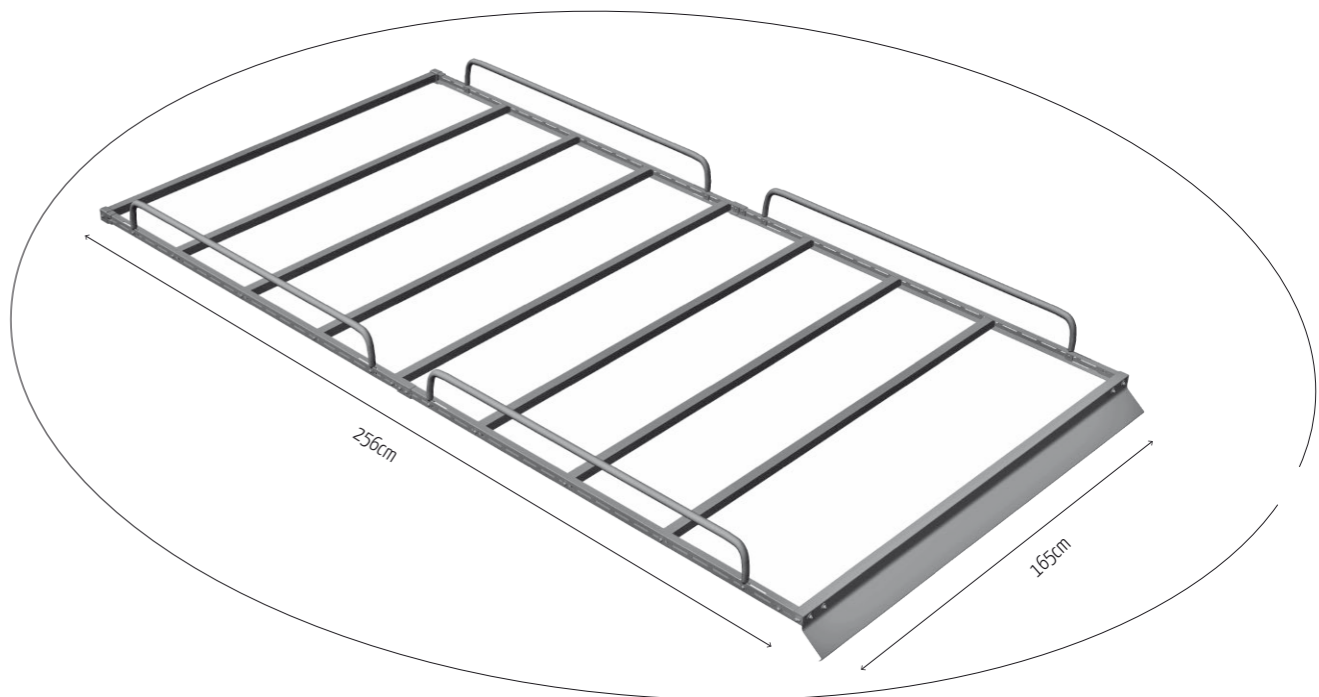



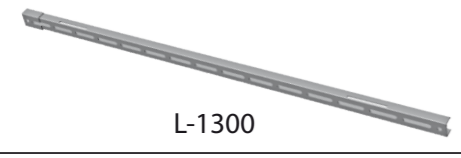











POOL-LINE ACCESORIOS, S.L.  
 C. Esqueis, 19. P. I. Can Barri  
 08415- Bigues i Riells. Barcelona (España)  
 www.pool-line.net

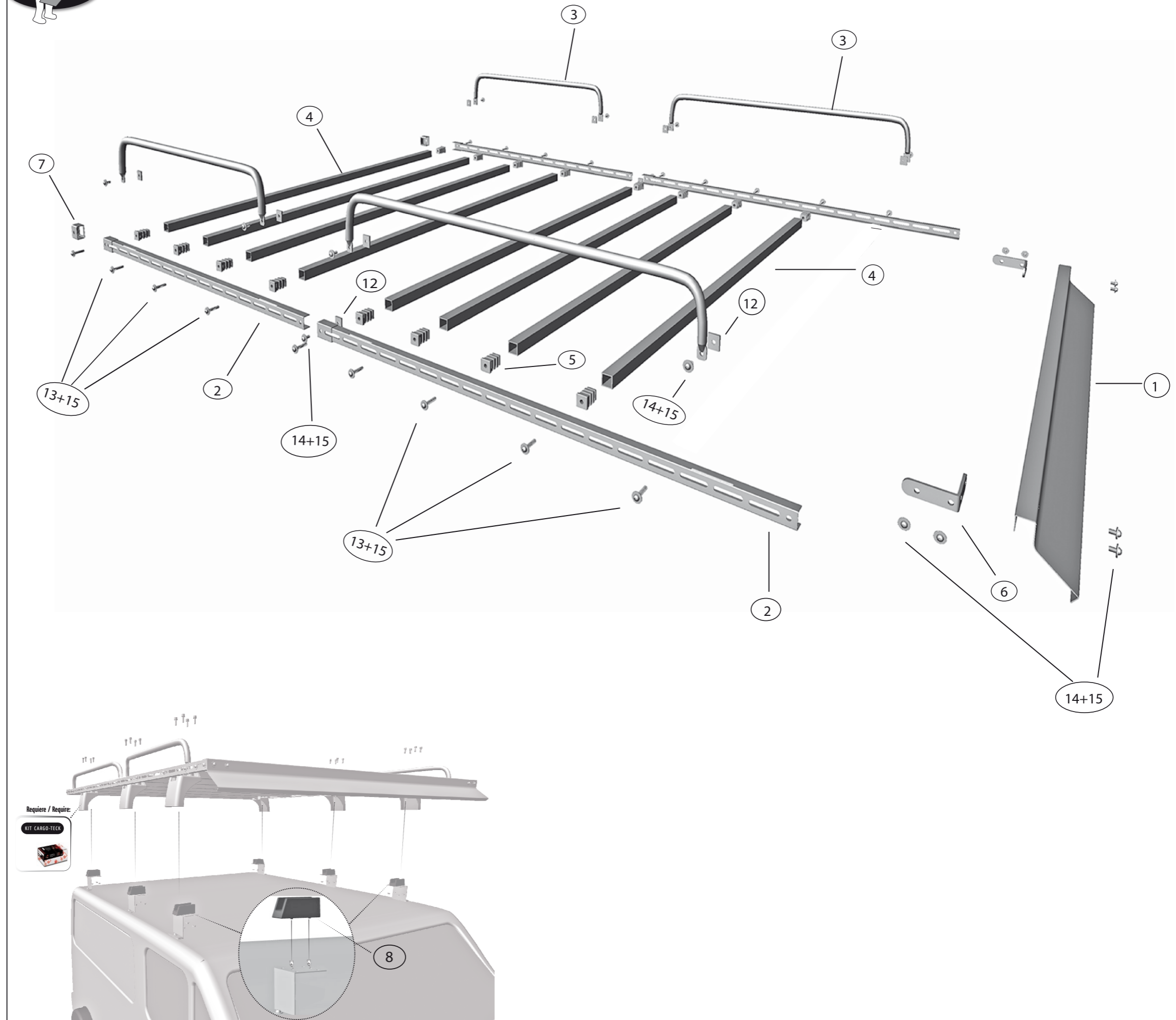
|  |                               |
|--|-------------------------------|
|  | <b>200</b> <b>KG.</b><br>MAX. |
| Nº HOMOLOGACIÓN: <b>E9</b> 26R-03.1042 |                               |
|  |                               |
|  |                               |
| RECICLABLE                             |                               |

**123516**

Rv: 05/2024



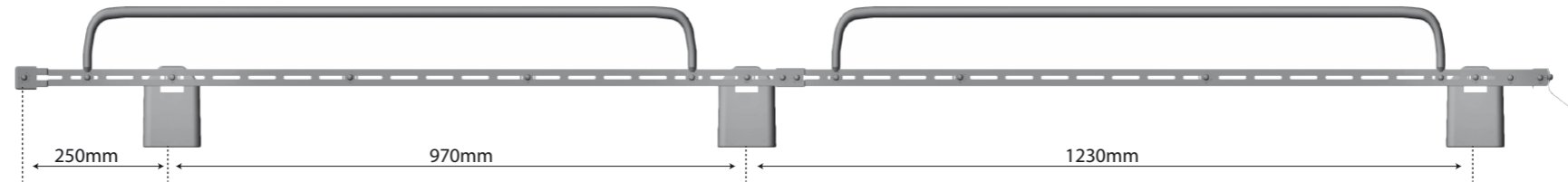
| N  |   | Q  |
|----|---|----|
| 1  | <br>S-1650           | 1  |
| 2  | <br>L-1300           | 4  |
| 3  | <br>B-1022           | 4  |
| 4  | <br>T-1635           | 8  |
| 5  |                      | 16 |
| 6  |                     | 2  |
| 7  |                    | 2  |
| 8  |                    | 8  |
| 11 |                    | 1  |
| 12 | <br>CHA-M8         | 12 |
| 13 | <br>ISO 7380 M8x30 | 16 |
| 14 | <br>ISO 7380 M8x16 | 20 |
| 15 | <br>DIN 125 Ø 8    | 36 |





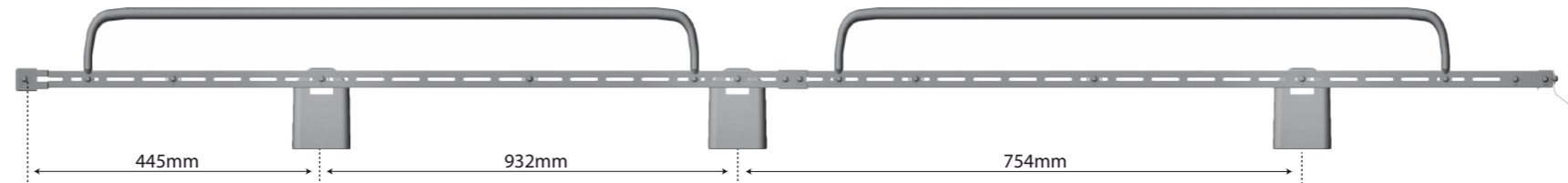
- CITROËN JUMPER I L1 (94-06)
- FIAT DUCATO II L1 (94-06)
- PEUGEOOT BOXER I (94-06)

X=250mm 



- IVECO DAILY 2000-2014 (V/C)

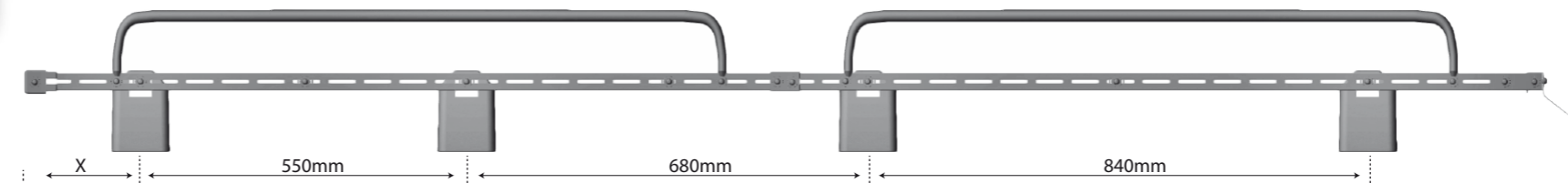
X=445mm 



- NISSAN NV400 L1H1 10->
- OPEL MOVANO B L1H1 10->
- RENAULT MASTER III L1H1 10->

X=370mm 

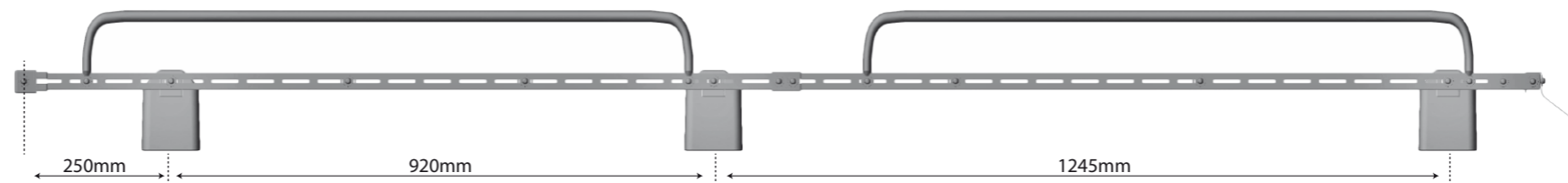
X=180mm 



Zona delantera  
Zone avant  
Front zone  
Zone anteriore  
Vorderzone

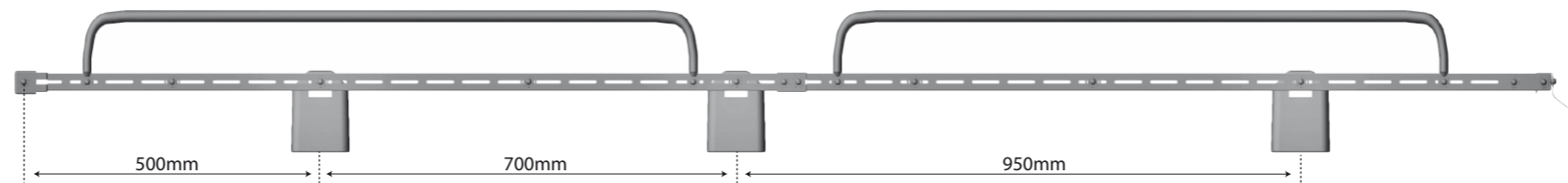
- CITROËN JUMPER II L1 (94-06)
- FIAT DUCATO III L1 (94-06)
- PEUGEOOT BOXER II (94-06)

X=250mm 

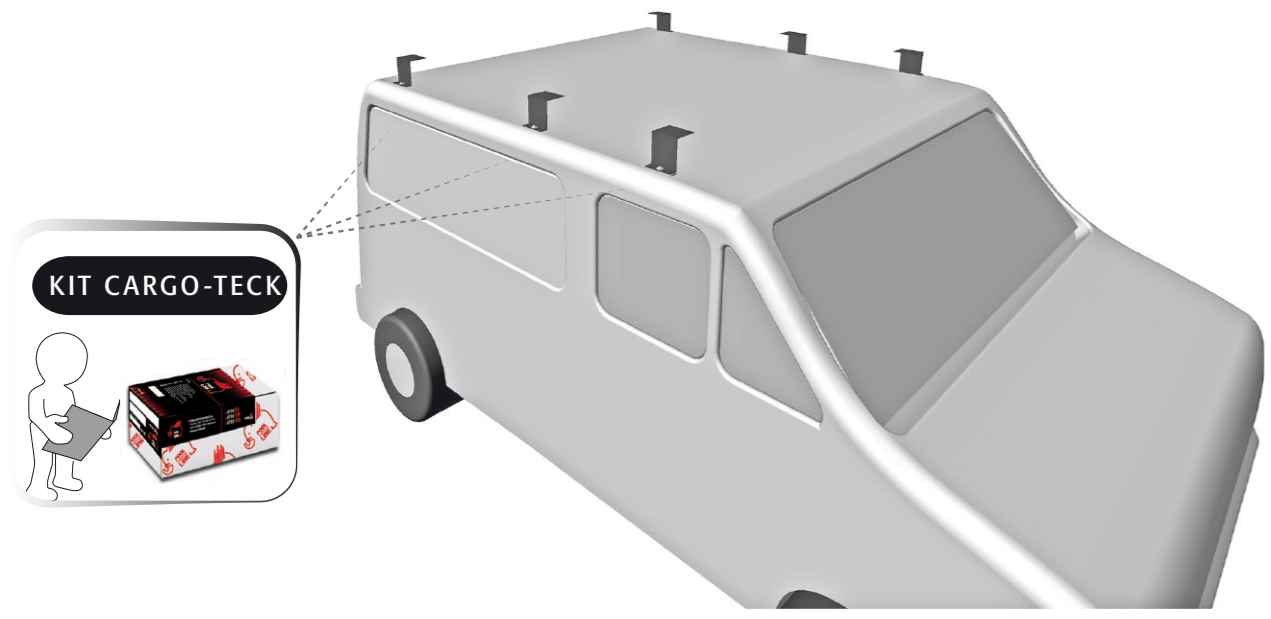


- NISSAN INTERSTAR (97-10)
- OPEL MOVANO A (97-10)
- RENAULT MASTER II (97-10)

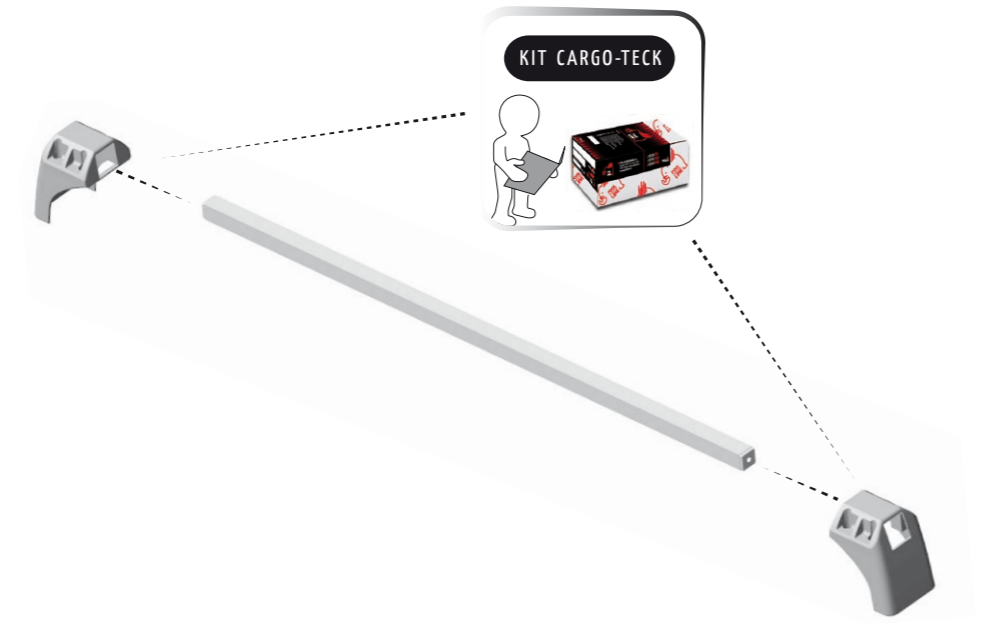
X=500mm 



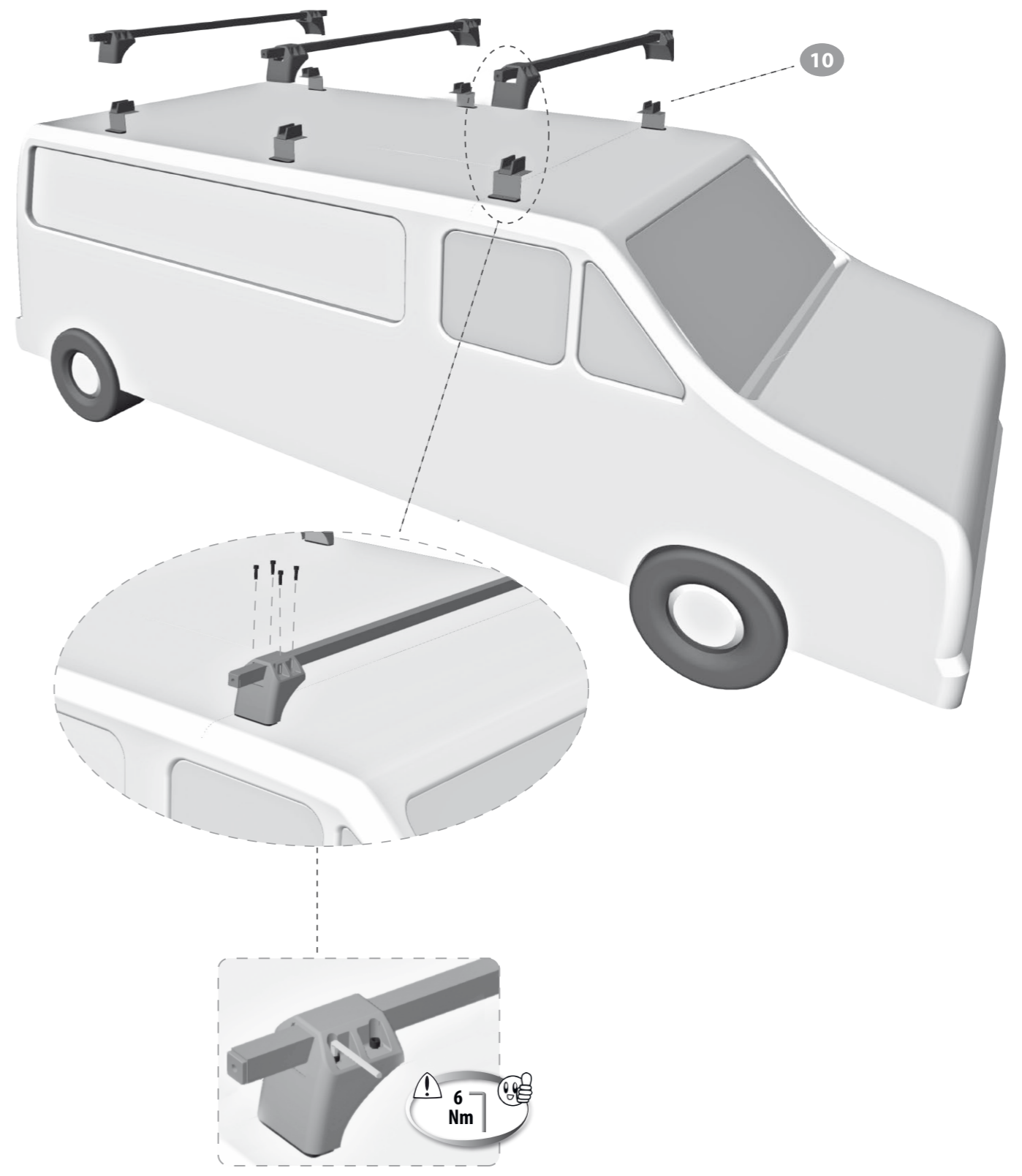
1

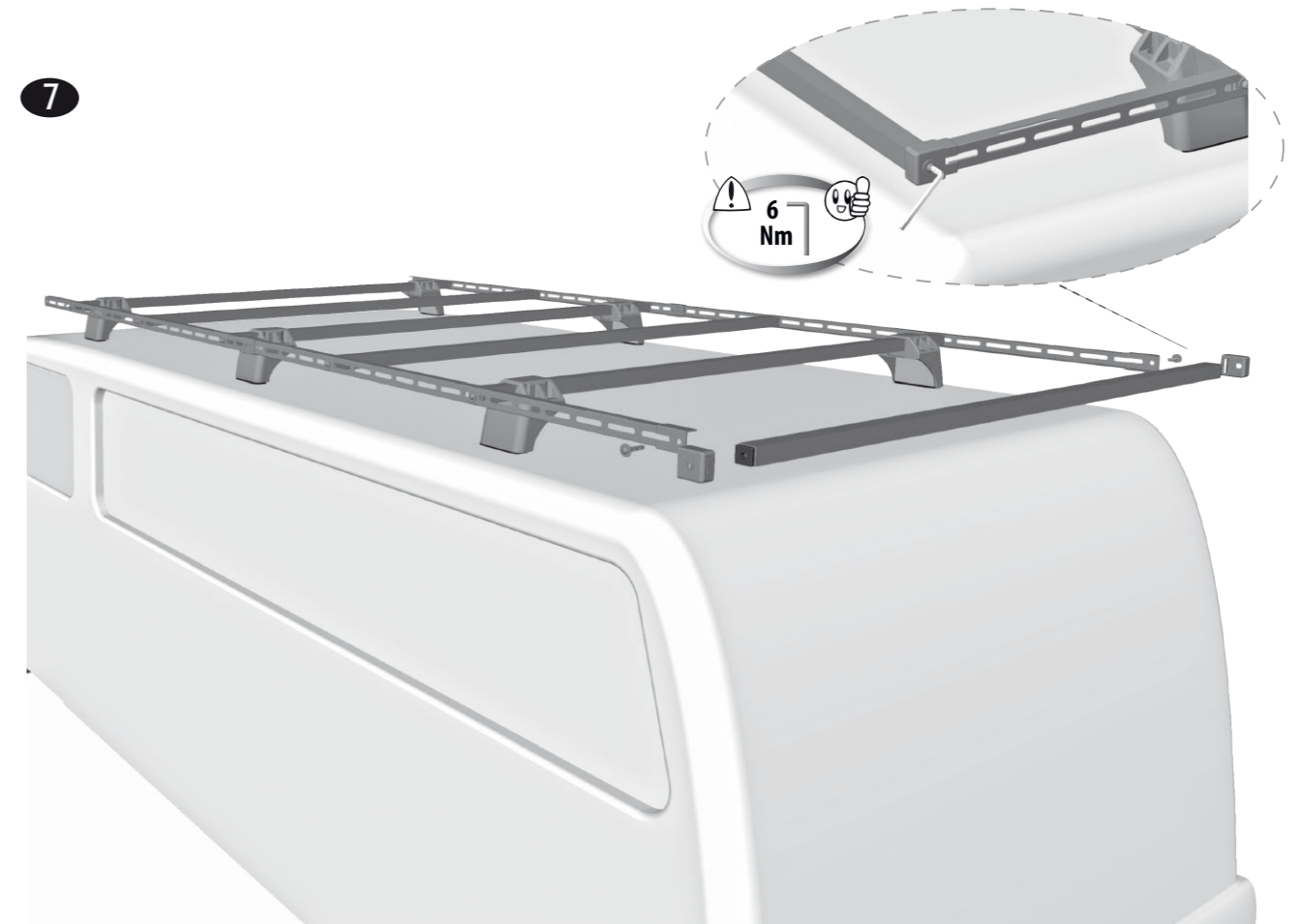
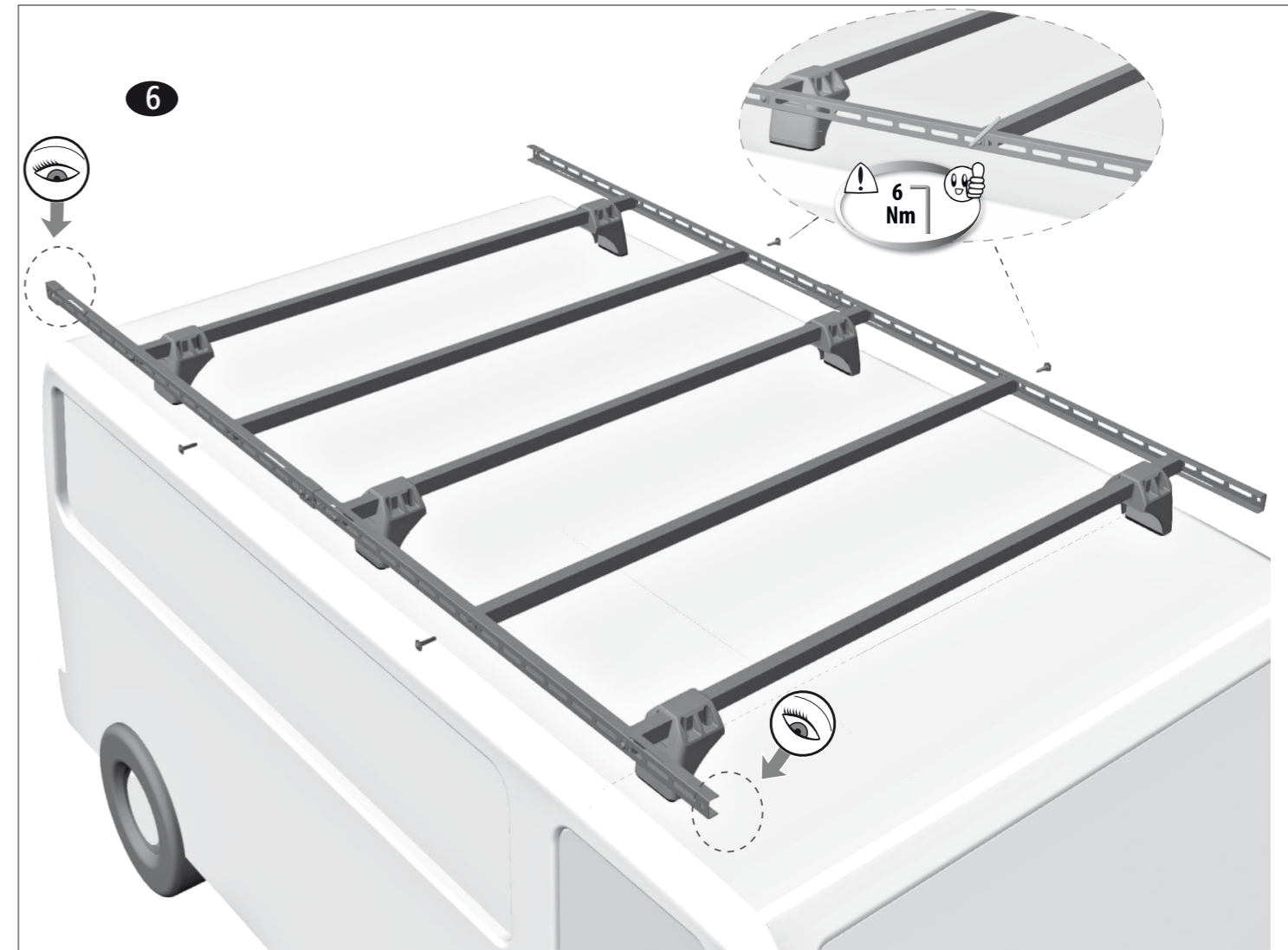
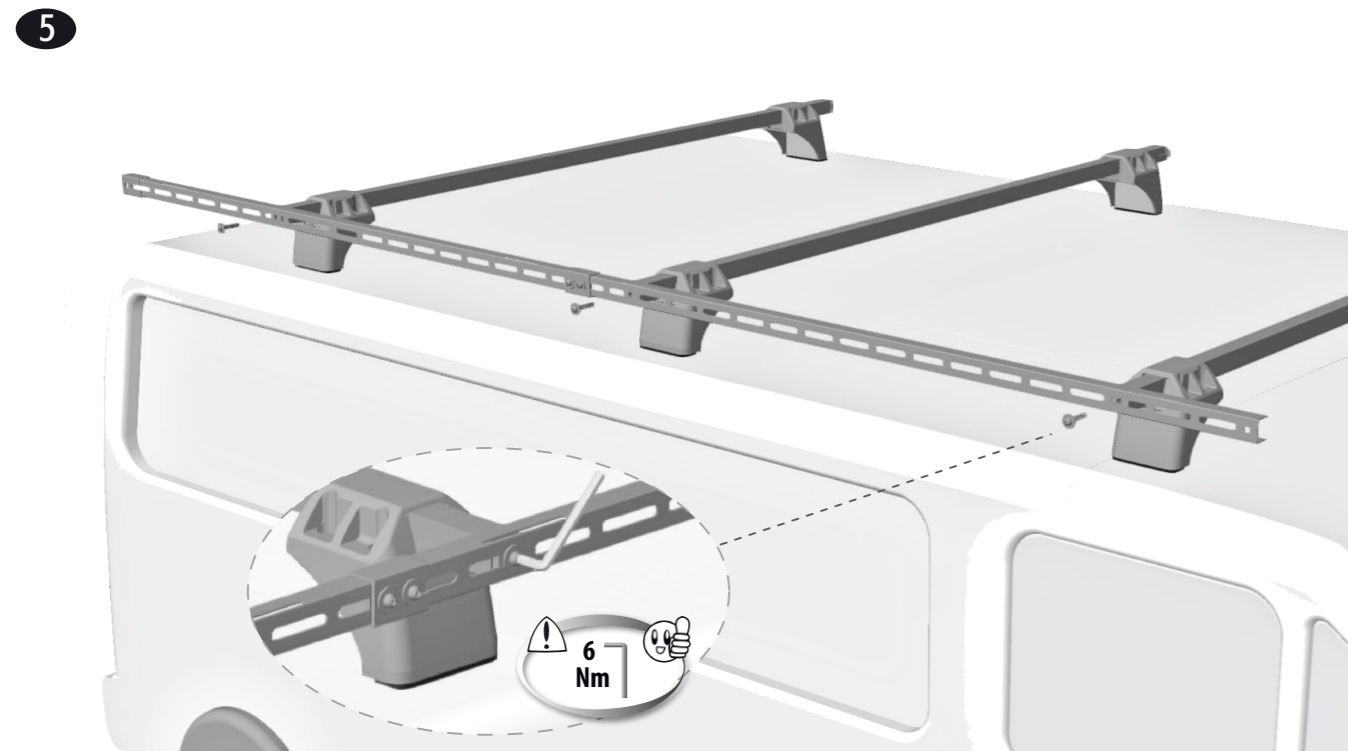
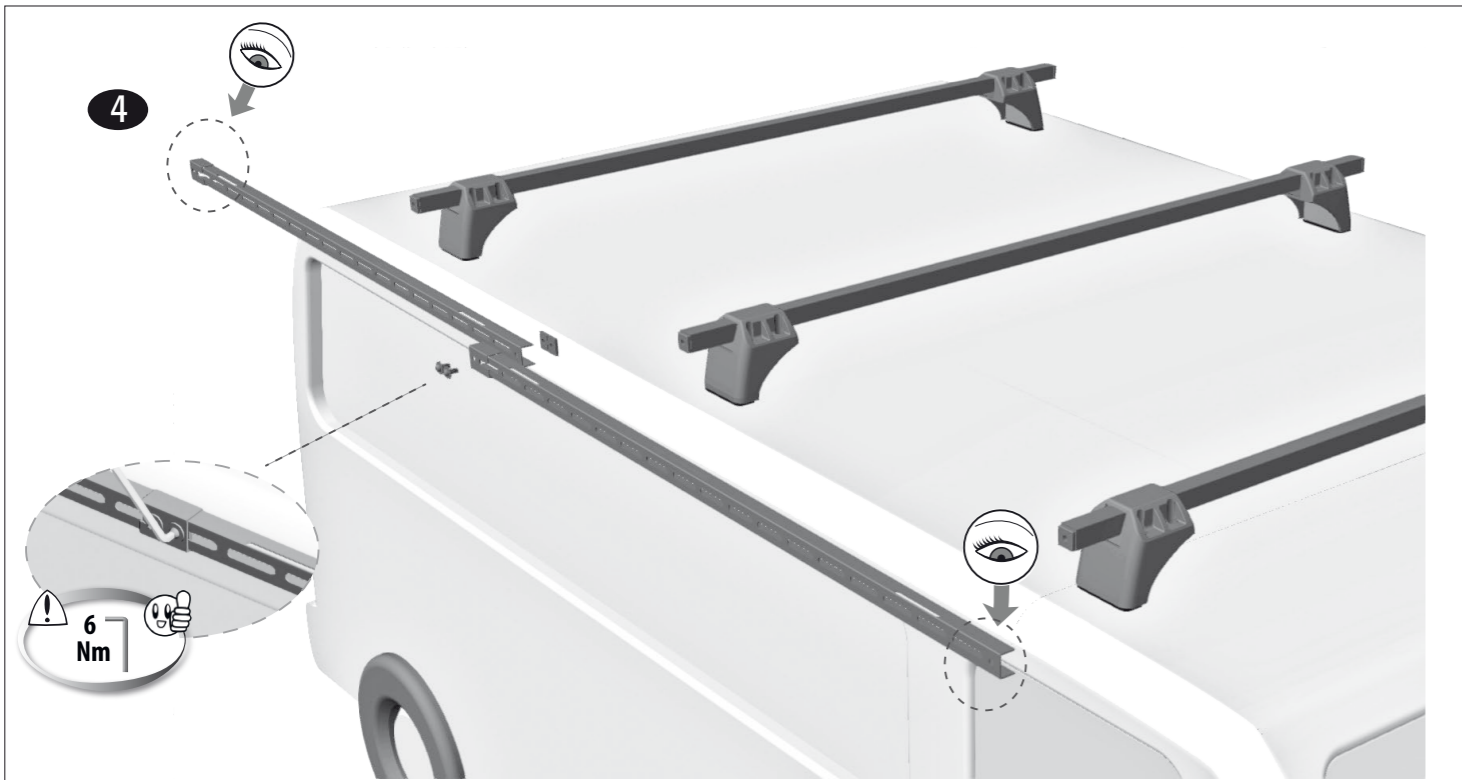


2

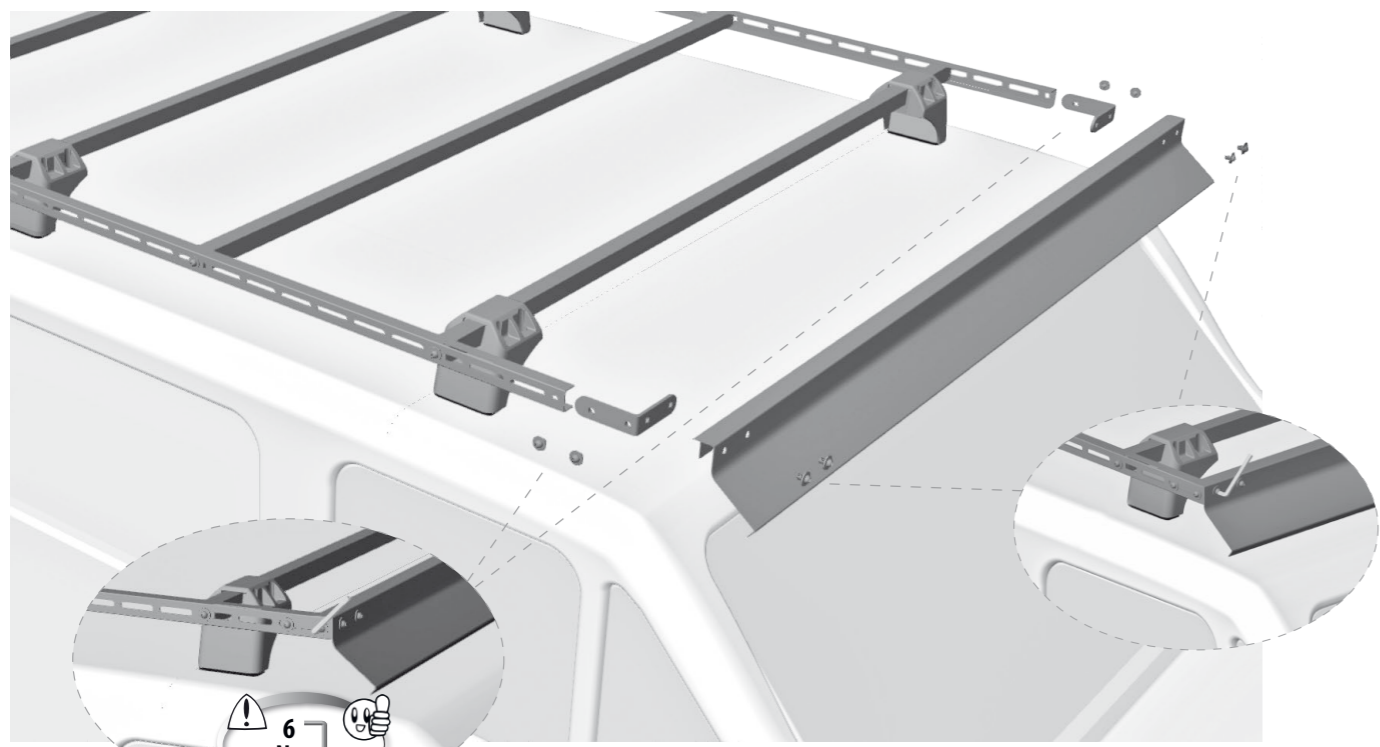


3





8



9

