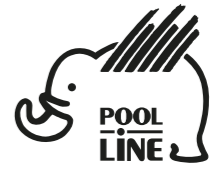




- E** Instrucciones de montaje
- C** Instruccions de muntatge
- GB** Assembly instructions
- F** Instruction de montage
- D** Montageanleitung
- PT** Instruções de montagem
- I** Istruzioni di montaggio
- PL** Instrukcja montażu
- CZ** Montážní návod
- HU** Szerelési Utasítás
- RO** Instrucțiuni de montaj
- HR** Detaljne upute
- TU** Öncelikle montaj

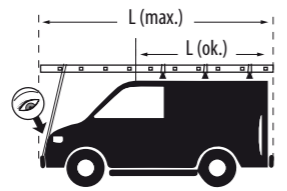
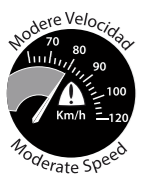
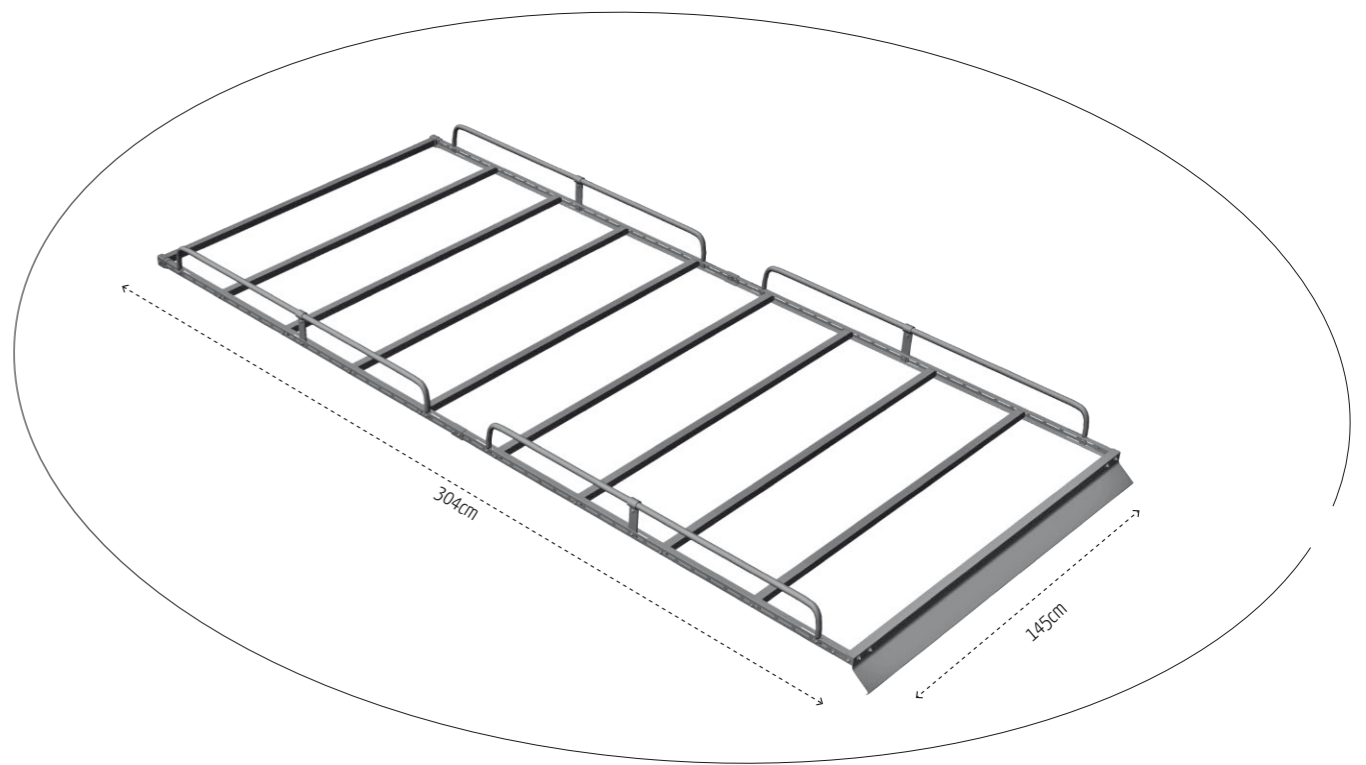



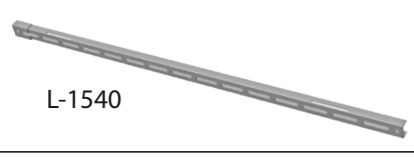

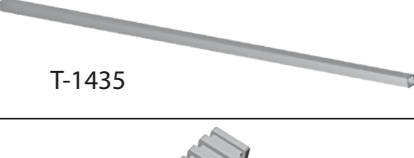

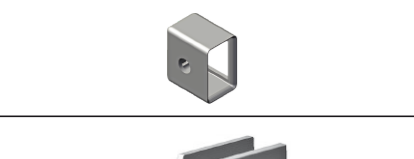

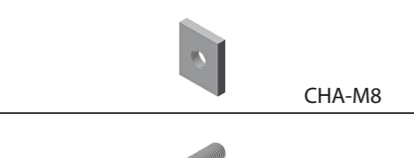

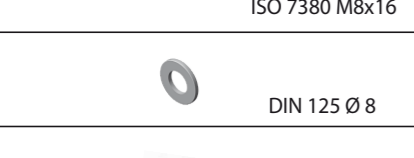

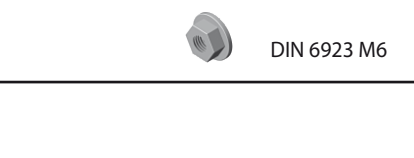
POOL-LINE ACCESORIOS, S.L.  
 C. Esqueis, 19. P. I. Can Barri  
 08415- Bigues i Riells. Barcelona (España)  
 www.pool-line.net

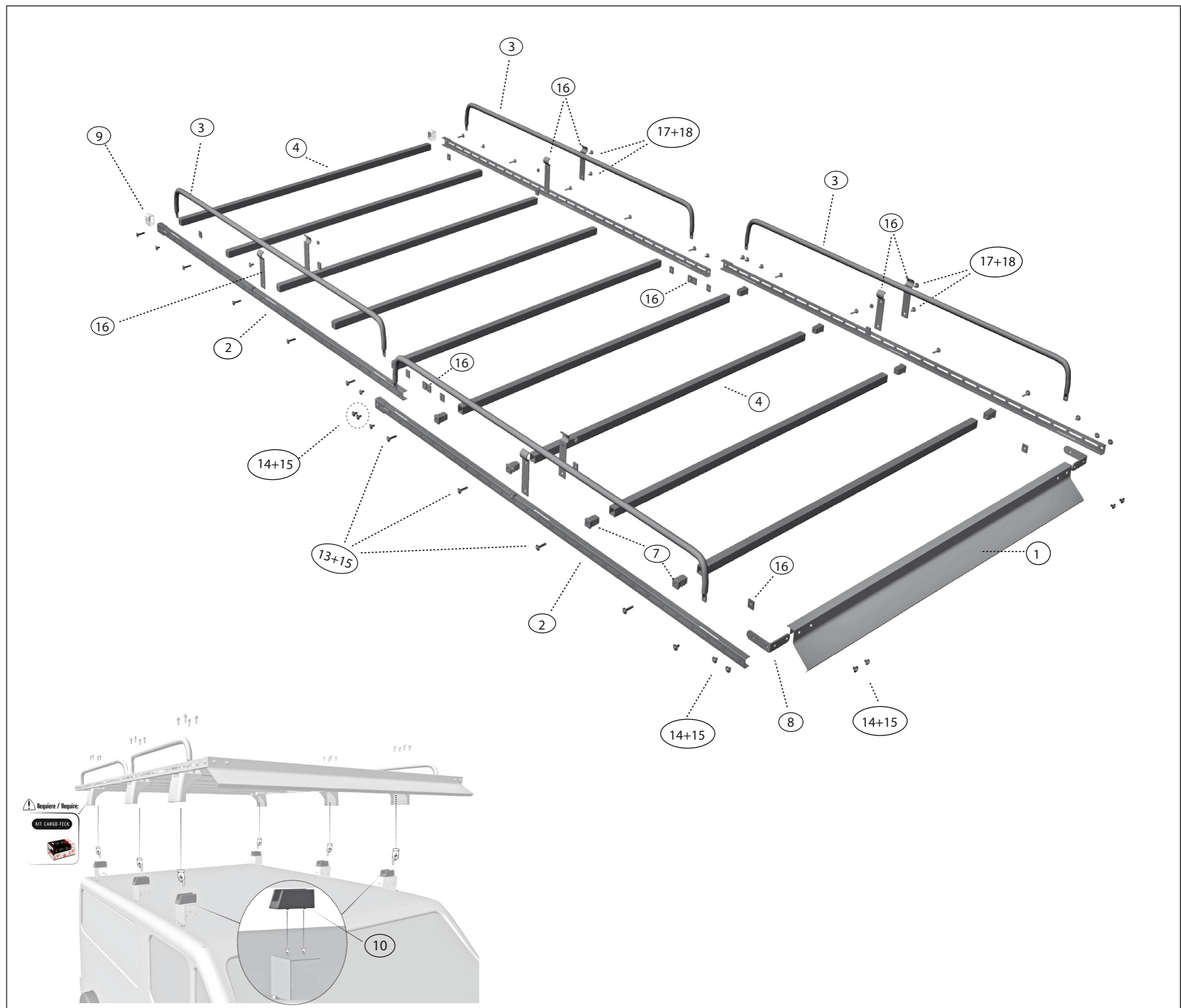
|   |
|---|
| <span style="font-size: 2em; font-weight: bold; margin-left: 20px;">200</span> <span style="font-size: 2em; font-weight: bold; margin-left: 10px;">KG.</span><br><span style="font-weight: bold; margin-left: 100px;">MAX.</span> |
| Nº HOMOLOGACIÓN: <span style="border: 1px solid black; border-radius: 50%; padding: 2px 5px;">E9</span> 26R-03.1042   |
| <div style="display: flex; justify-content: space-around; align-items: center;"> </div> <span style="font-weight: bold; font-size: 0.8em;">RECICLABLE</span>  |

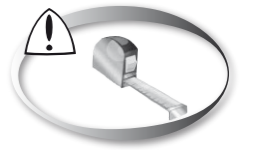
123614

Rv: 06/2024



| N  |  | Q  |
|----|--|----|
| 1  |  S-1450            | 1  |
| 2  |  L-1540           | 4  |
| 3  |  B-1262           | 4  |
| 4  |  T-1435           | 9  |
| 7  |                   | 18 |
| 8  |                  | 2  |
| 9  |                 | 2  |
| 10 |                 | 8  |
| 11 |                 | 1  |
| 12 |  CHA-M8         | 16 |
| 13 |  ISO 7380 M8x30 | 18 |
| 14 |  ISO 7380 M8x16 | 24 |
| 15 |  DIN 125 Ø 8    | 42 |
| 16 |                 | 8  |
| 17 |  DIN 603 M6x12  | 4  |
| 18 |  DIN 6923 M6    | 4  |

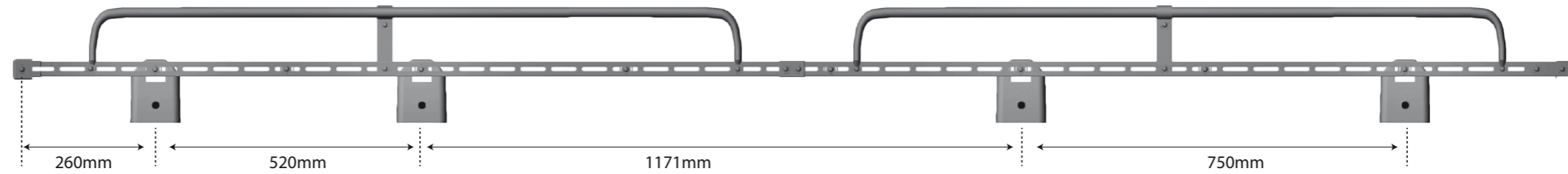




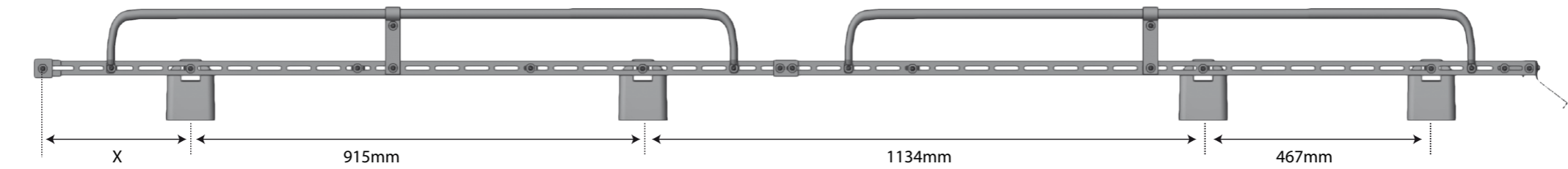
• IVECO DAILY VI (10,8m<sup>3</sup>) 3520 - H2  
3 fijaciones (2014->)



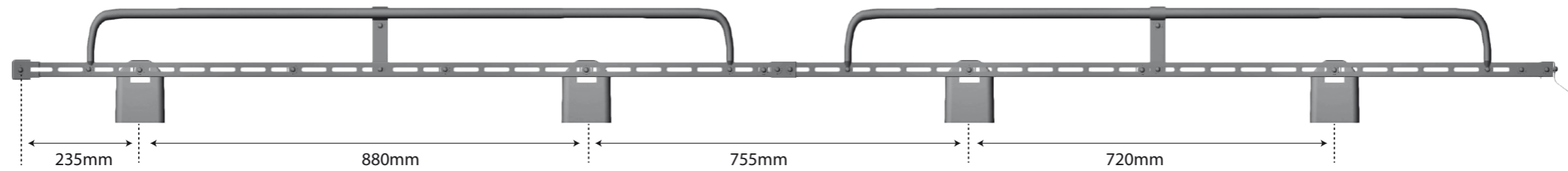
• IVECO DAILY VI (10,8m<sup>3</sup>) 3520 - H2  
2 fijaciones (2014->)



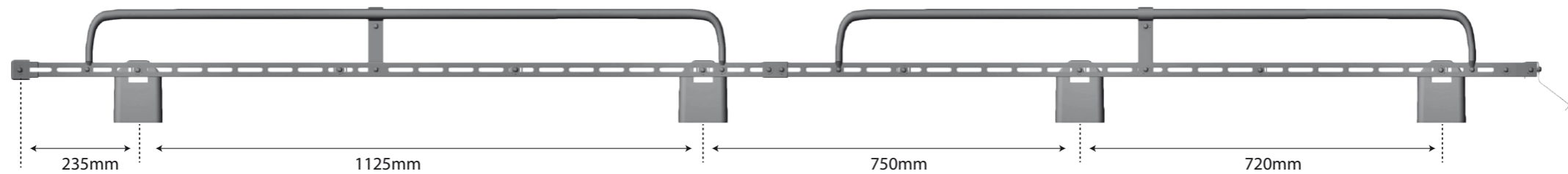
• FORD CUSTOM II TOURNEO L1-H1 (23->)  
• FORD CUSTOM II TRANSIT L1-H1 (23->)



• MERCEDES VITO W639 L1 (2003 - 2014)  
• MERCEDES VITO W447 L1 (2014->)



• MERCEDES VITO W639 L2 (2003 - 2014)  
• MERCEDES VITO W447 L2 (2014->)

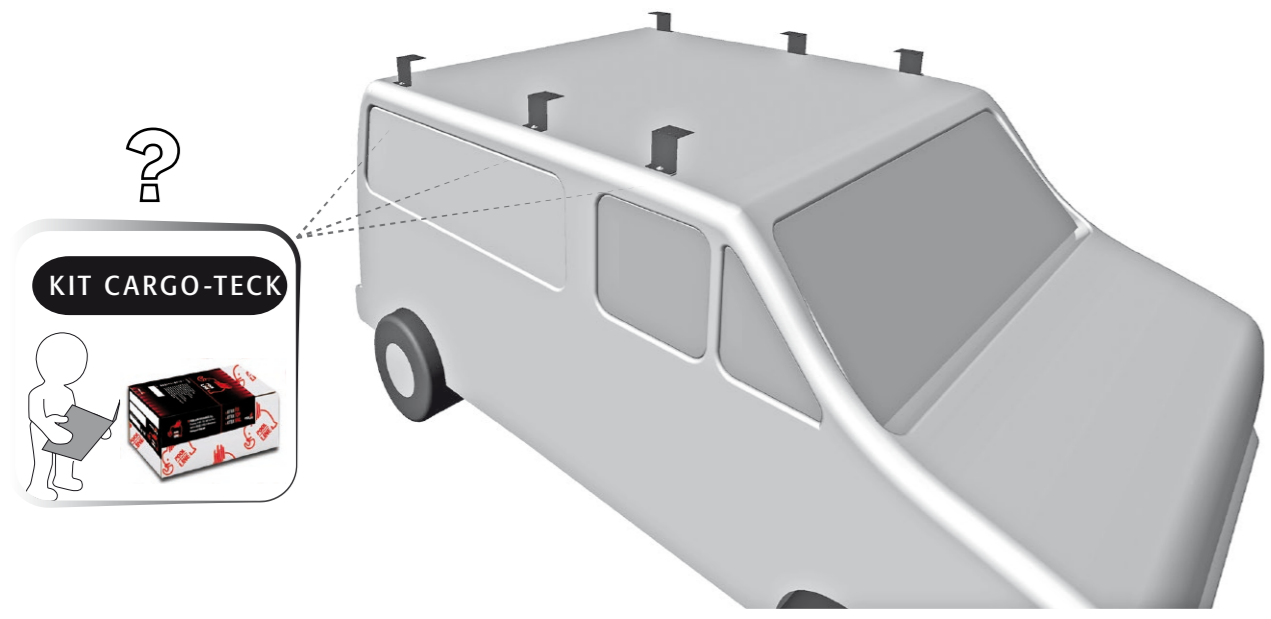


• HYUNDAI  
• LDV  
• DFSK

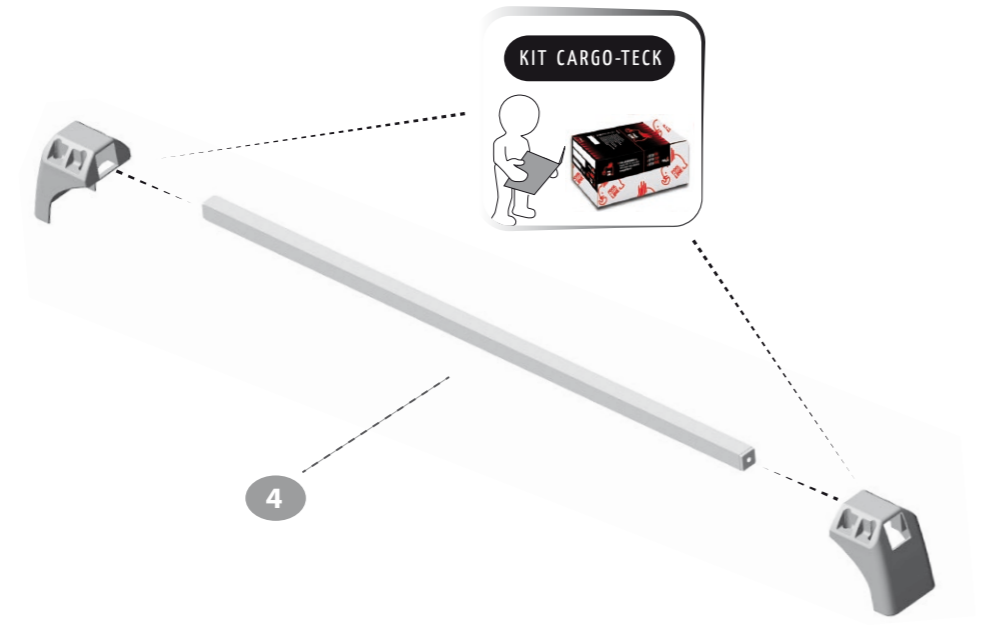


→  
Zona delantera  
Zone avant  
Front zone  
Zone anteriore  
Vorderzone

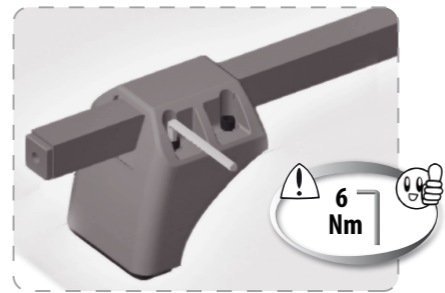
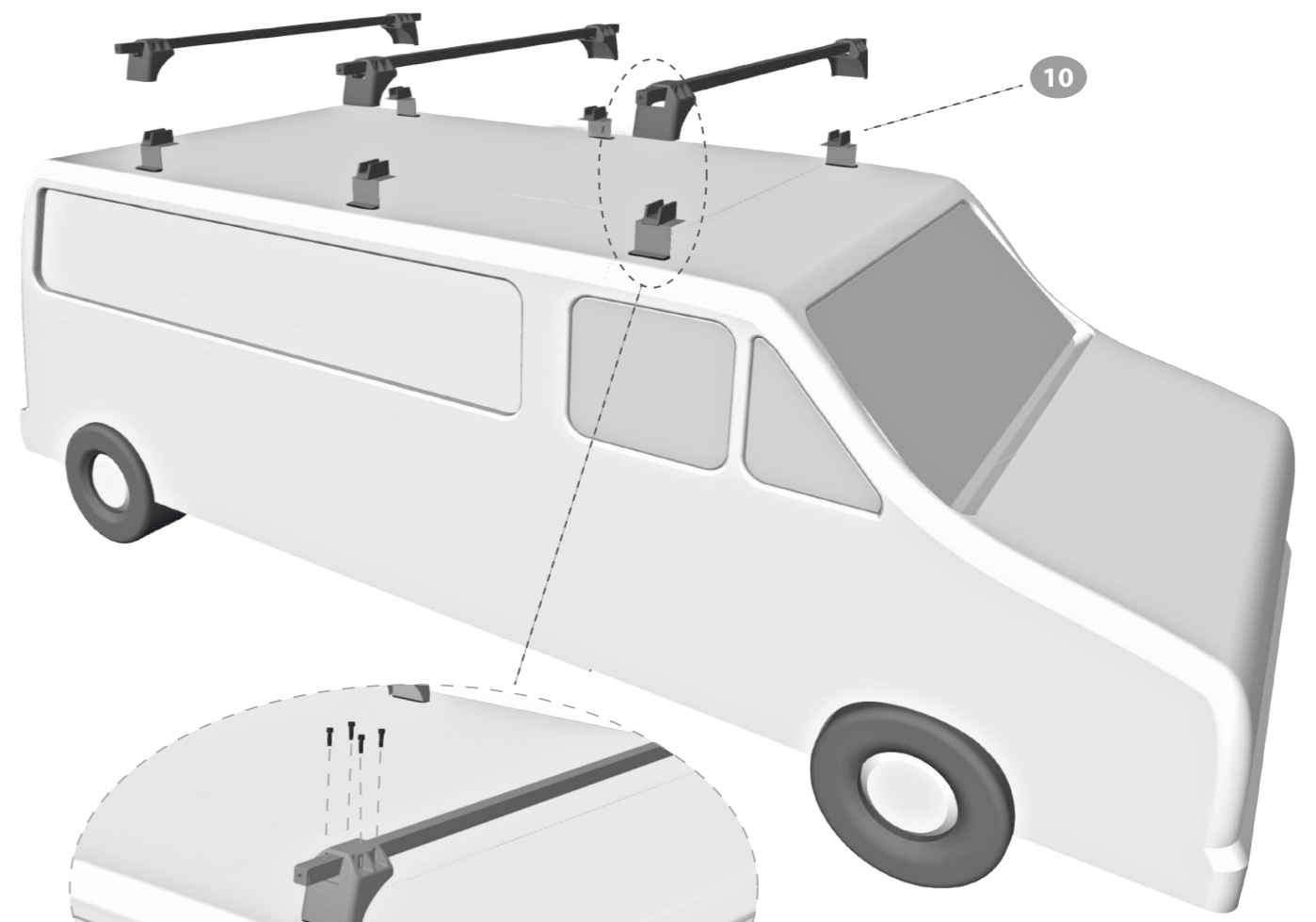
1



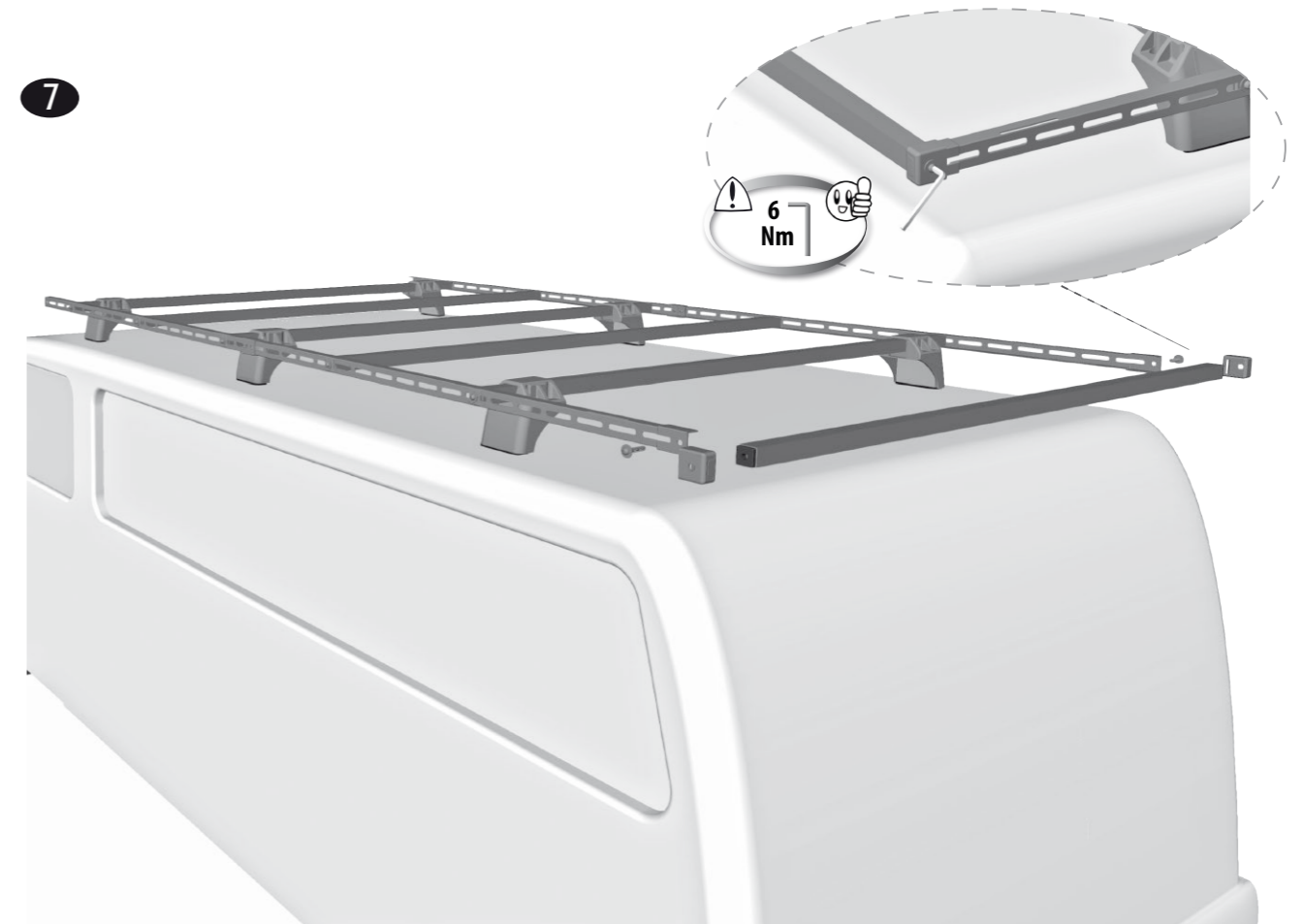
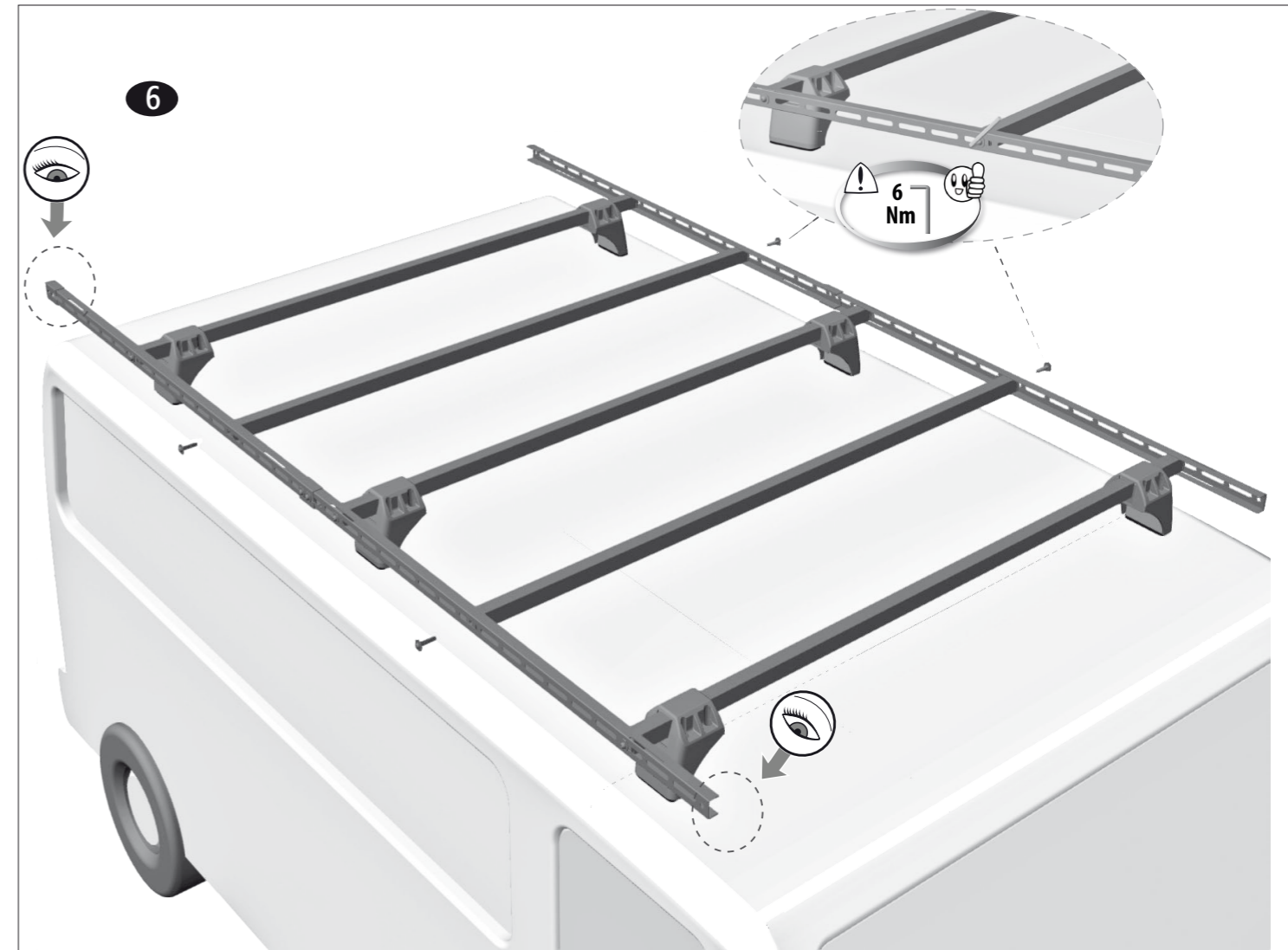
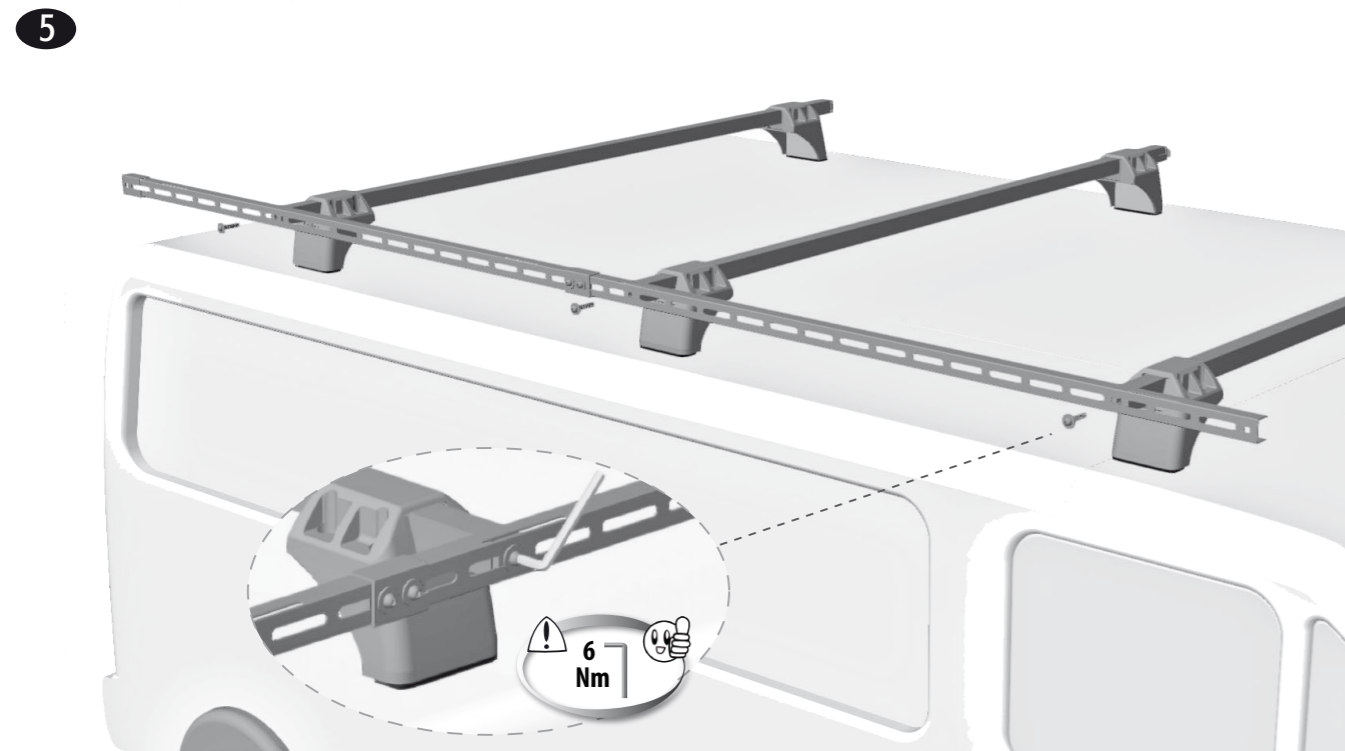
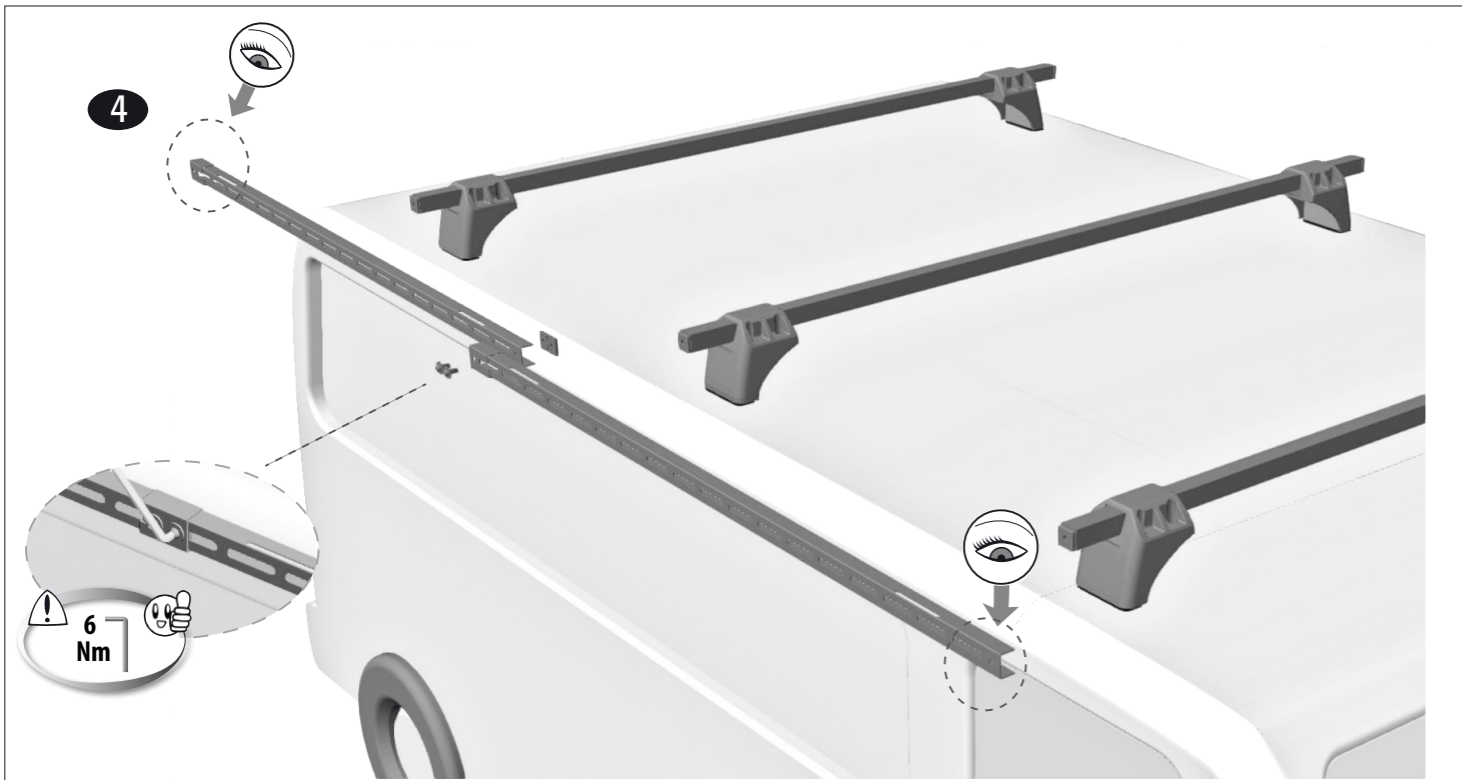
2



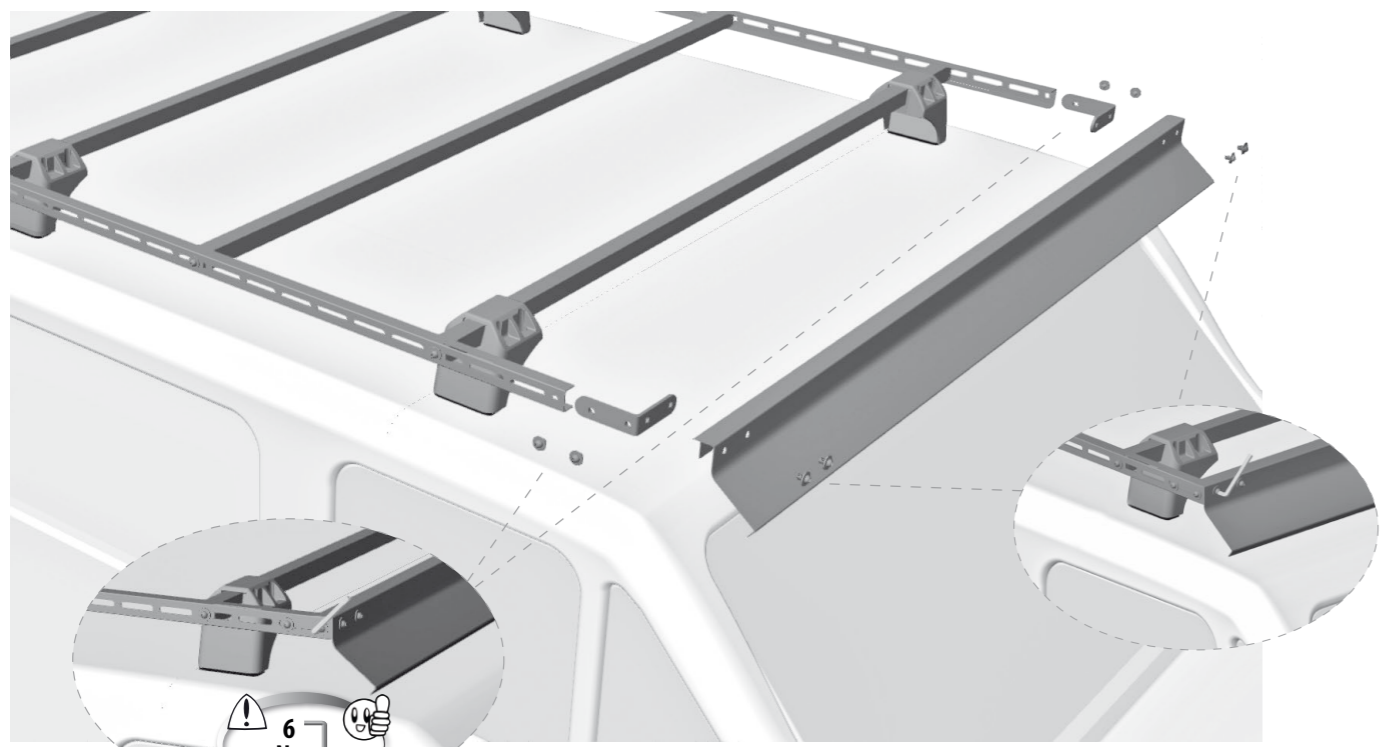
3







8



9

