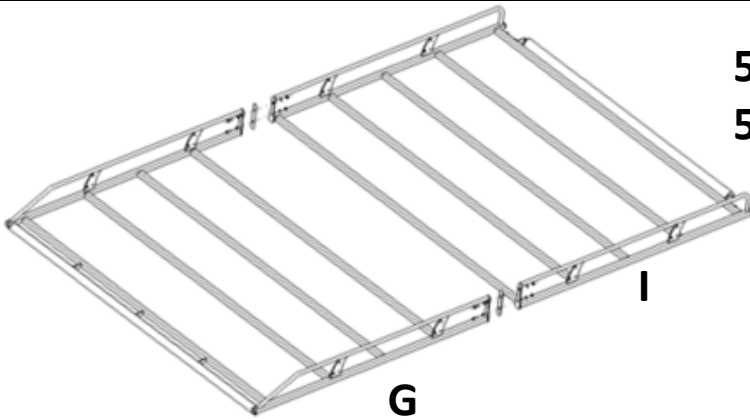


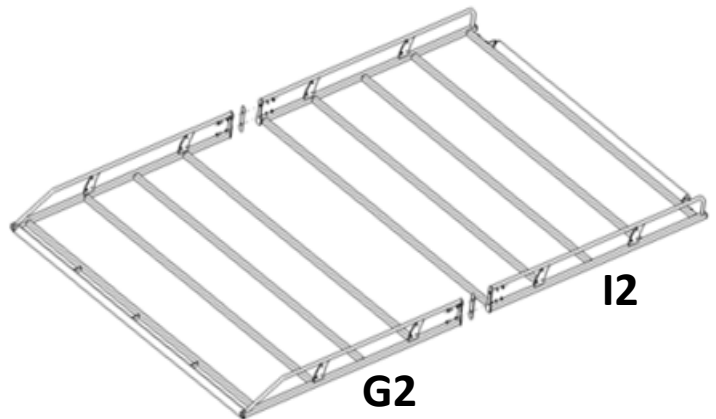
54216970001 - 54217870001 - 54217970001  
54208970001 - 54209070001 - 54218070001  
54216970051 - 54217870051 - 54217970051  
54208970051 - 54209070051 - 54218070051



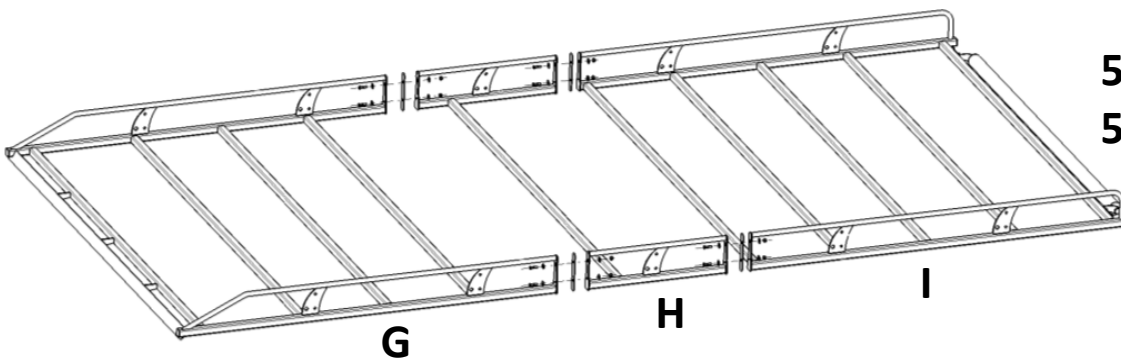
**IVECO DAILY 05/1999 >**



**54216970001**  
**54216970051**  
**L1 H1**

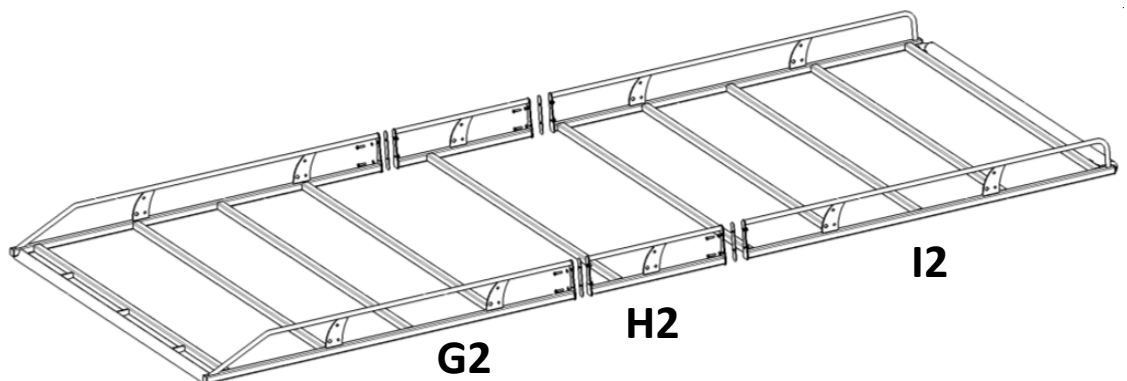


**54218070001**  
**54218070051**  
**L1 H2**



**54217970001**  
**54217970051**  
**L2 H1**

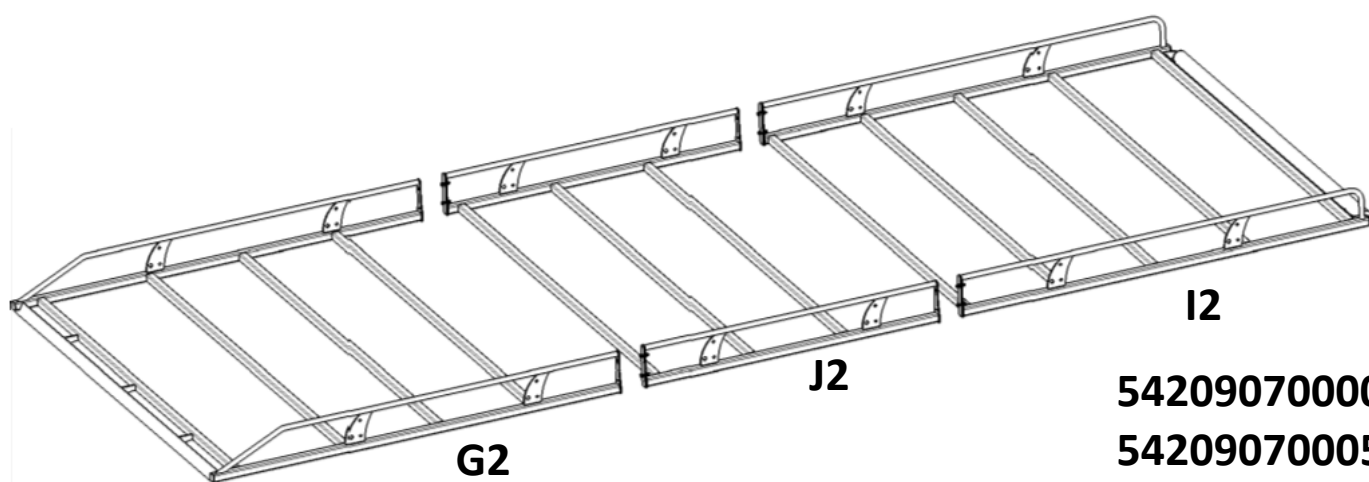
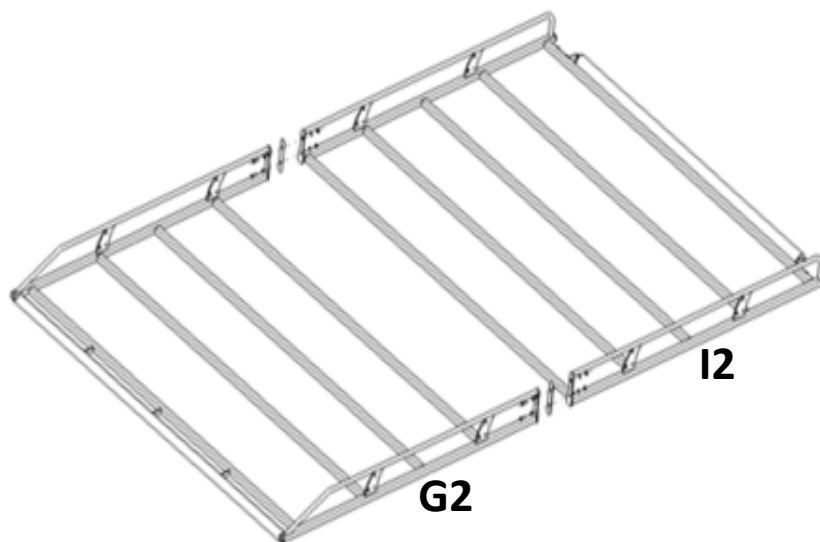
**54208970001**  
**54208970051**  
**L3 H2**



542178700001

542178700051

L2 H2



542090700001

542090700051

L4 H2

G + I = 500002702003

G2 + I2 = 500002703003

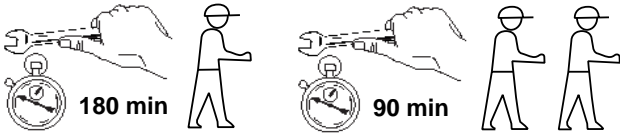
J1 = 500001702006

J2 = 500001701006

H1 = 500001701005

H2 = 500001701006





L1H1 = 200 Kg  
 L1H2 = 100 Kg  
 L2H1 = 100 Kg  
 L2H2 = 190 Kg  
 L3H2 = 90 Kg  
 L4H2 = 75 Kg

**D** HM 8 x 20 Cl 8.8 20 Nm  
 CS 8 x 22

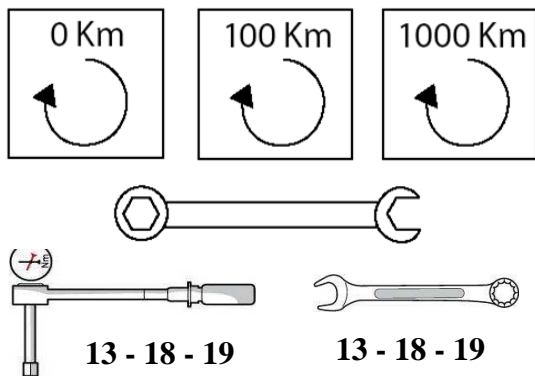
**C** HM 12 x 50 Cl 8.8 81 Nm  
 CS 12  
 M12 Cl 8  
 45 x 40 x 10

**B** HM 8 x 20 Cl 8.8 20 Nm  
 L 8 x 18

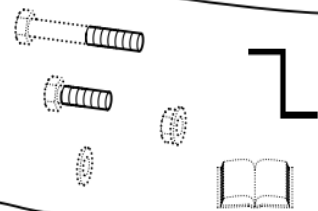
**F** HM 8 x 60 Cl 8.8 23 Nm  
 CS 8 x 22

**Z** HM 8 x 20 Cl 8.8 20 Nm  
 L 8 x 18

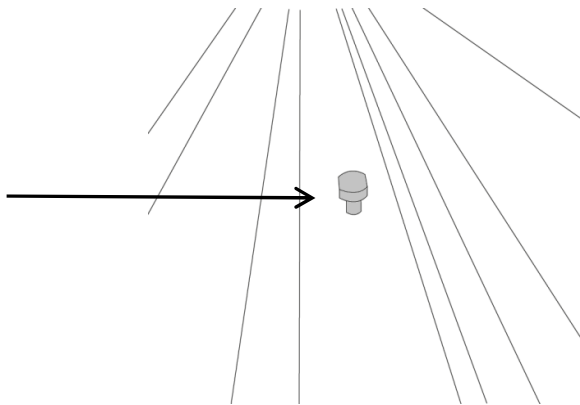
**X** HM 6 x 25 Cl 8.8 9 Nm  
 L 6 x 18  
 M6 Cl 8



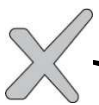
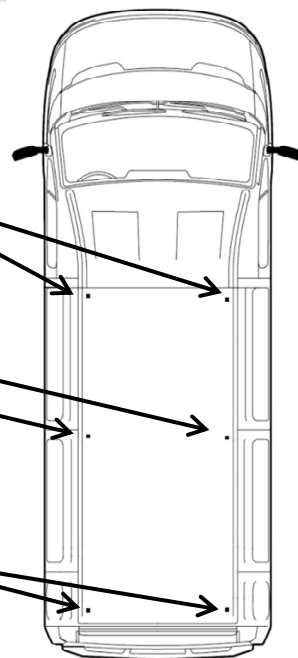
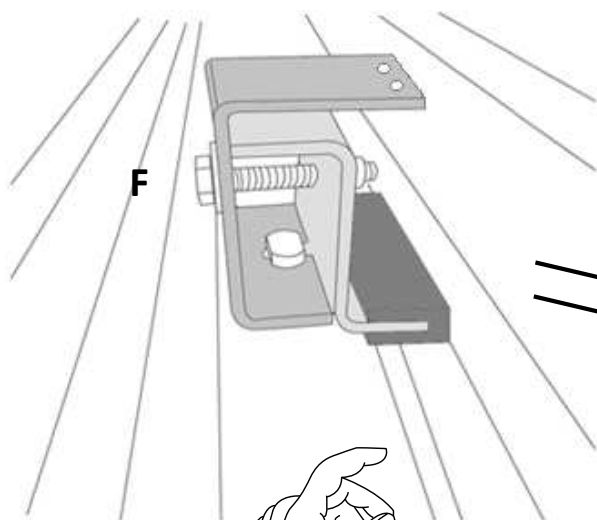
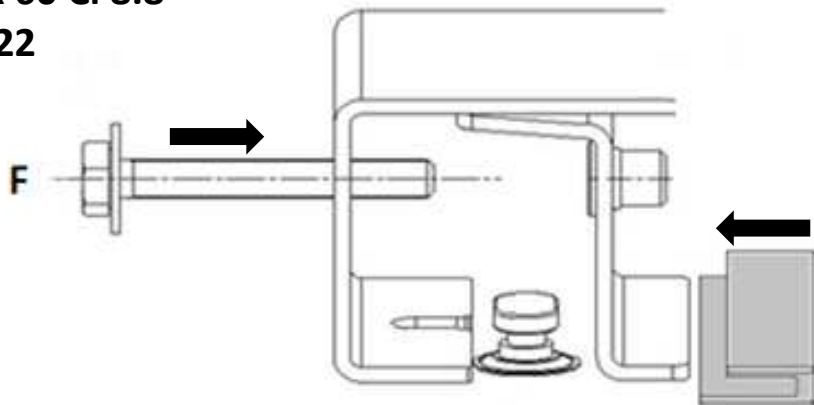
542169700002 - 542178700002  
 542179700002 - 542089700002  
 542790700002 - 542180700002



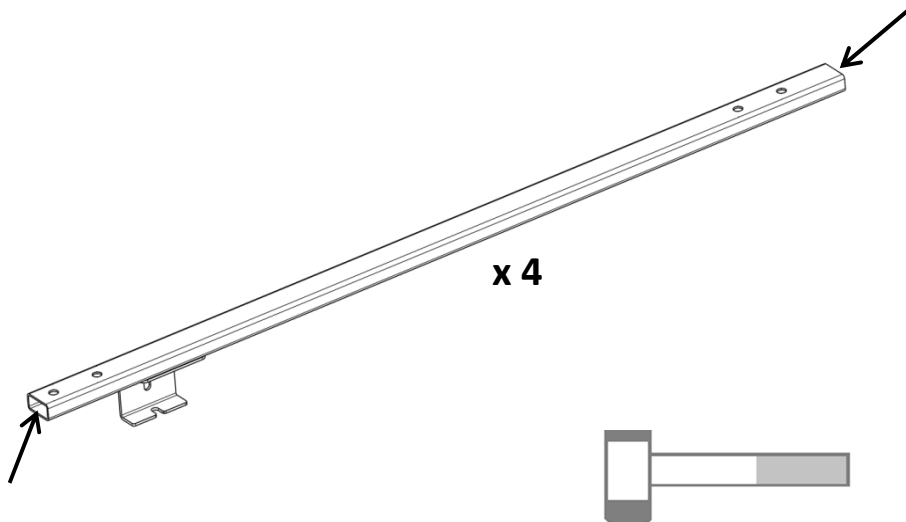
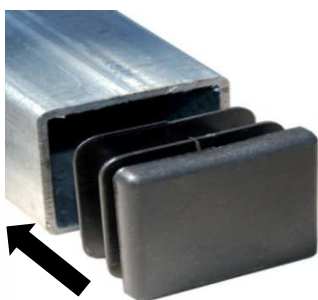
1

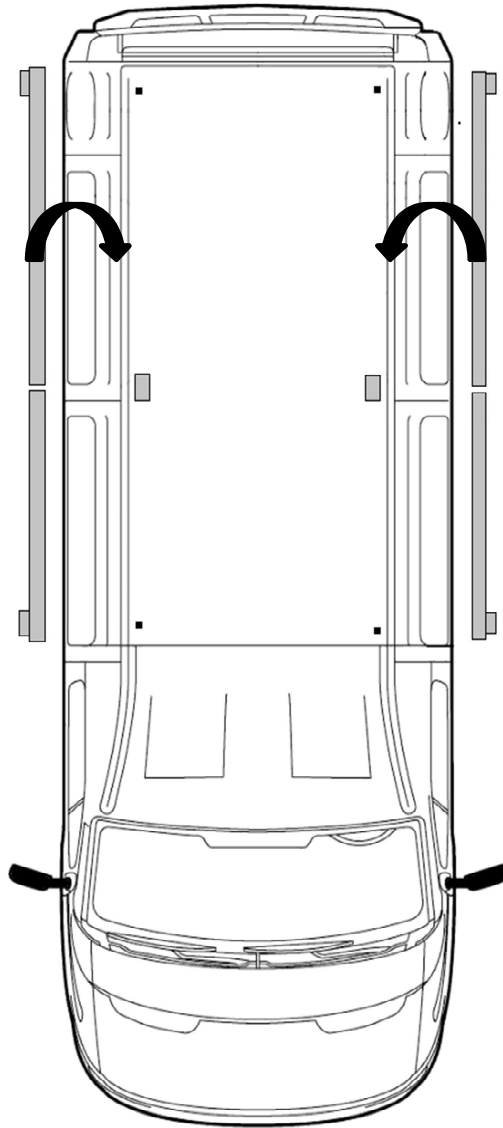


**F** HM 8 x 60 Cl 8.8  
CS 8 x 22

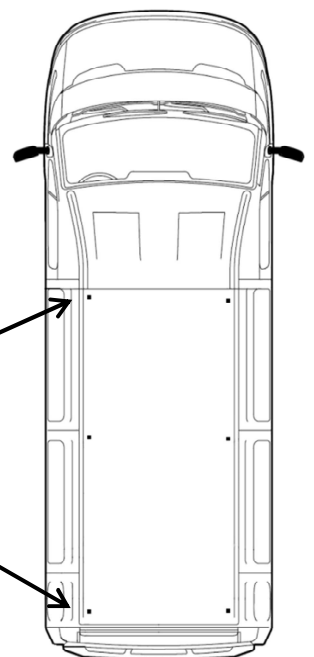
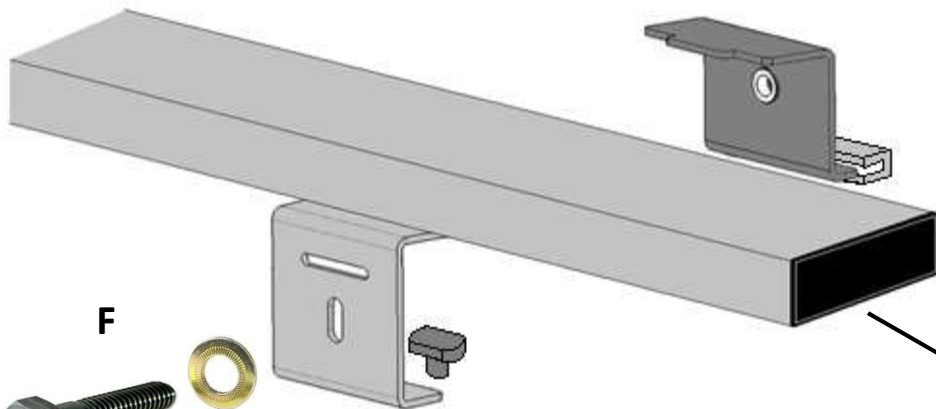


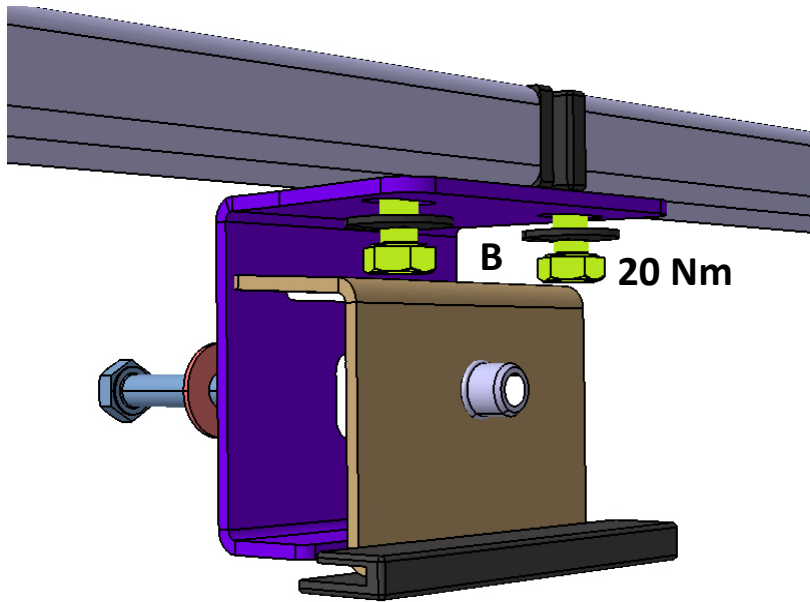
2





**F** HM 8 x 60 Cl 8.8  
CS 8 x 22

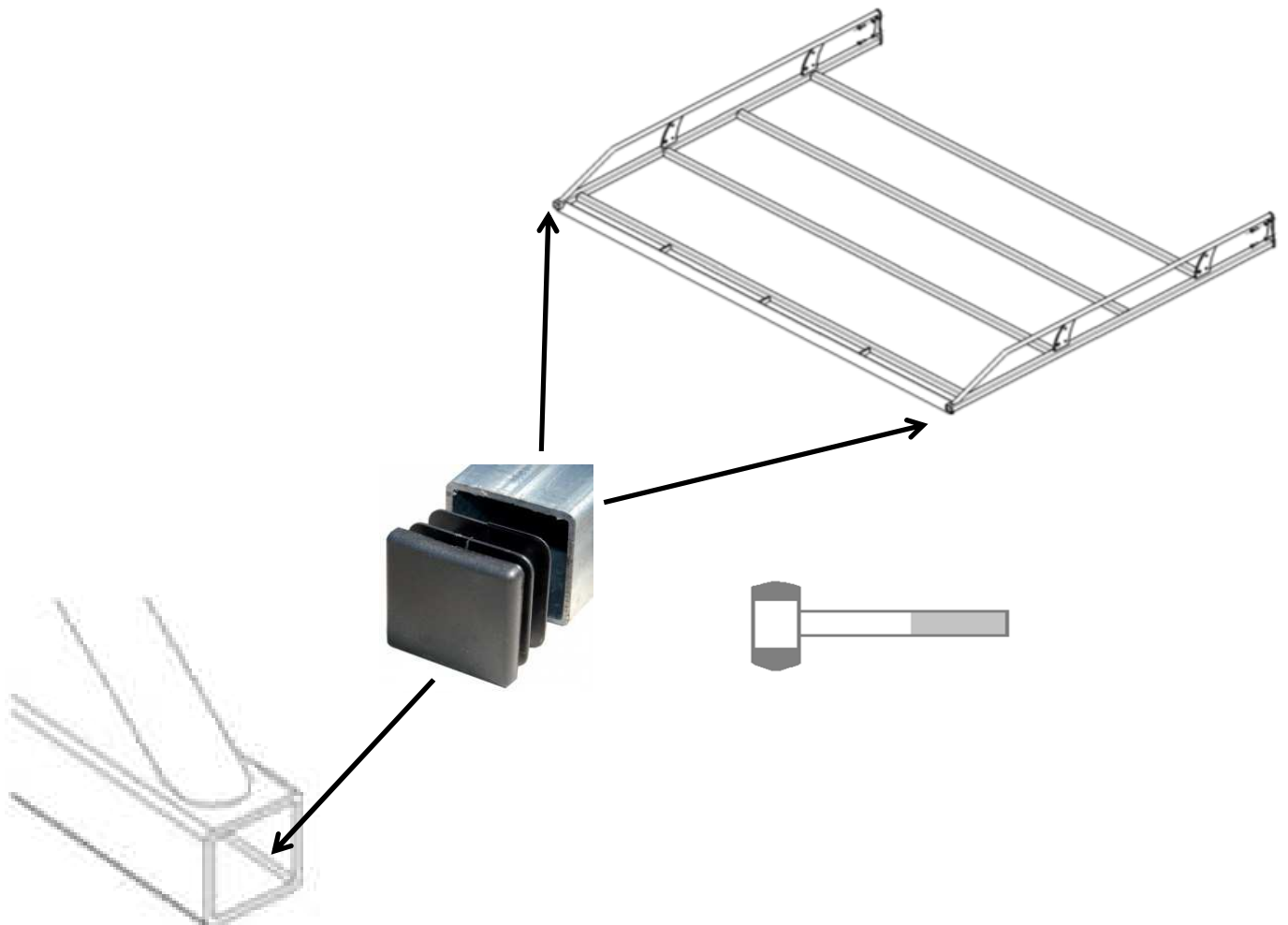




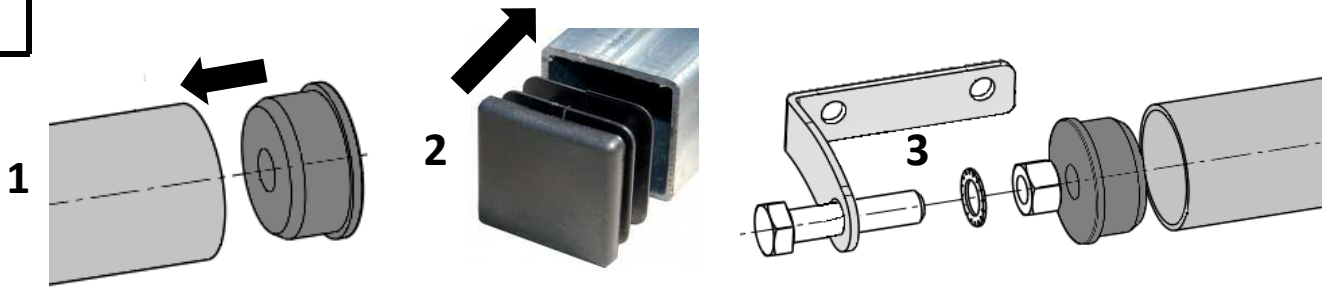
13 20 Nm

- B**
- 4 HM 8 x 20 Cl 8.8 20 Nm
  - 4 CS 8 x 22

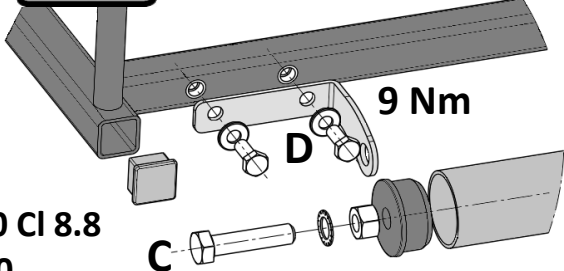
3



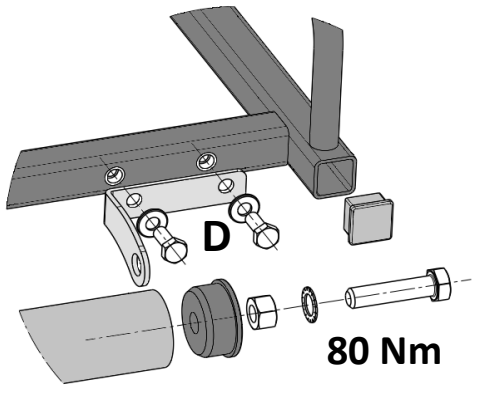
4



H1



9 Nm



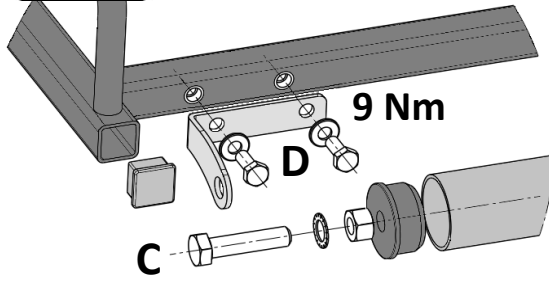
80 Nm

- C**
- 2 HM 12 x 50 Cl 8.8
  - 2 DEC 12 x 20
  - 2 M12 Cl 8
  - 45 x 40 x 10

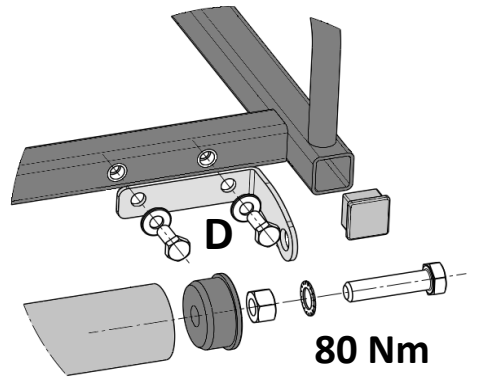
- D**
- 4 HM 8 x 20 Cl 8,8
  - 4 CS 8 x 22



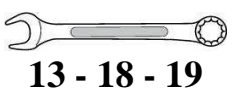
H2



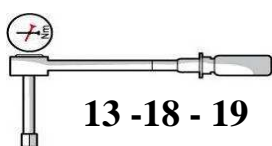
9 Nm



80 Nm



13 - 18 - 19



13 - 18 - 19

5

